



US00D757236S

(12) **United States Design Patent**
Tokura

(10) **Patent No.:** **US D757,236 S**
(45) **Date of Patent:** **** May 24, 2016**

(54) **HEAT EXCHANGER HOLDER**

DESCRIPTION

(71) Applicant: **KYOSHIN KOGYO CO., LTD.**, Osaka (JP)

(72) Inventor: **Kenji Tokura**, Osaka (JP)

(73) Assignee: **KYOSHIN KOGYO CO., LTD.**, Osaka (JP)

(**) Term: **14 Years**

(21) Appl. No.: **29/493,245**

(22) Filed: **Jun. 6, 2014**

(30) **Foreign Application Priority Data**

Dec. 6, 2013 (KR) 30-2013-0061657

(51) **LOC (10) Cl.** **23-03**

(52) **U.S. Cl.**
USPC **D23/323**

(58) **Field of Classification Search**
USPC D23/314, 316, 323, 322, 318, 329;
D13/133; 165/67, 177, 186;
29/890.032

CPC F28F 1/32; B21D 39/06
See application file for complete search history.

(56) **References Cited**

U.S. PATENT DOCUMENTS

5,687,473 A * 11/1997 Tokura B21D 53/085
29/726.5
D733,852 S * 7/2015 Tokura D23/323

(Continued)

Primary Examiner — T. Chase Nelson

Assistant Examiner — Ania Aman

(74) *Attorney, Agent, or Firm* — Konomi Takeshita

(57) **CLAIM**

The ornamental design for a heat exchanger holder, substantially as shown and described.

FIG. 1 is a front elevational view of a heat exchanger holder, showing our new design;

FIG. 2 is a left side view thereof;

FIG. 3 is a right side view thereof;

FIG. 4 is a rear elevational view thereof;

FIG. 5 is a perspective view thereof;

FIG. 6 is a top plan view thereof;

FIG. 7 is a bottom plan view thereof;

FIG. 8 is a reference cross-sectional view taken along the lines 8-8 in FIG. 6 thereof;

FIG. 9 is an another reference figure thereof; showing a state in which a bent part of a U-shaped heat transfer pipe is inserted into the heat exchanger holder of this design; and,

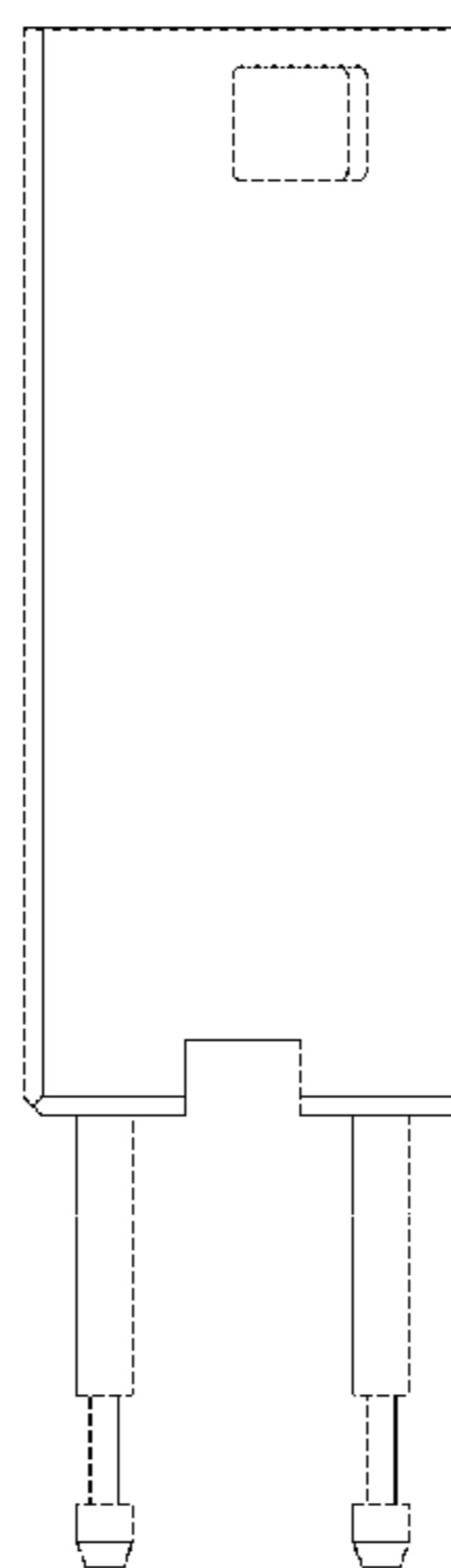
FIG. 10 is an another reference figure thereof; showing a state in which both a U-shaped heat transfer pipe and a shrinkage-lifting prevention rod are inserted into the heat exchanger holder of this design.

Our heat exchanger holder of this design is used to hold and support a U-shaped heat transfer pipe of a heat exchanger, in which a groove is formed in the top end of a main body of the heat exchanger holder and is used to receive therein a bent part of the U-shaped heat transfer pipe, and holes are formed in the front and rear surfaces of the main body in such a way that the holes diagonally face each other and are used to receive therein a shrinkage-lifting prevention rod used to prevent the U-shaped heat transfer pipe from shrinkage-lifting.

Described in detail, as shown in Reference views FIG. 9 and FIG. 10, the bent part of the U-shaped heat transfer pipe is inserted into the groove of the main body, and the shrinkage-lifting prevention rod is movably and diagonally inserted into the holes of the main body such that the shrinkage-lifting prevention rod passes over the bent part, so the U-shaped heat transfer pipe is held by the heat exchanger holder.

The broken lines shown in FIGS. 8 and 9 are for the purpose of illustrating environmental structure that forms no part of the claimed design.

1 Claim, 10 Drawing Sheets



US D757,236 S

Page 2

(56)

References Cited

U.S. PATENT DOCUMENTS

D733,853 S * 7/2015 Tokura D23/323
D733,854 S * 7/2015 Tokura D23/323
D733,855 S * 7/2015 Tokura D23/323

D733,856 S * 7/2015 Tokura D23/323
2010/0320753 A1* 12/2010 Uneno B21D 39/04
285/331
2015/0121875 A1* 5/2015 Burns F22B 1/18
60/670

* cited by examiner

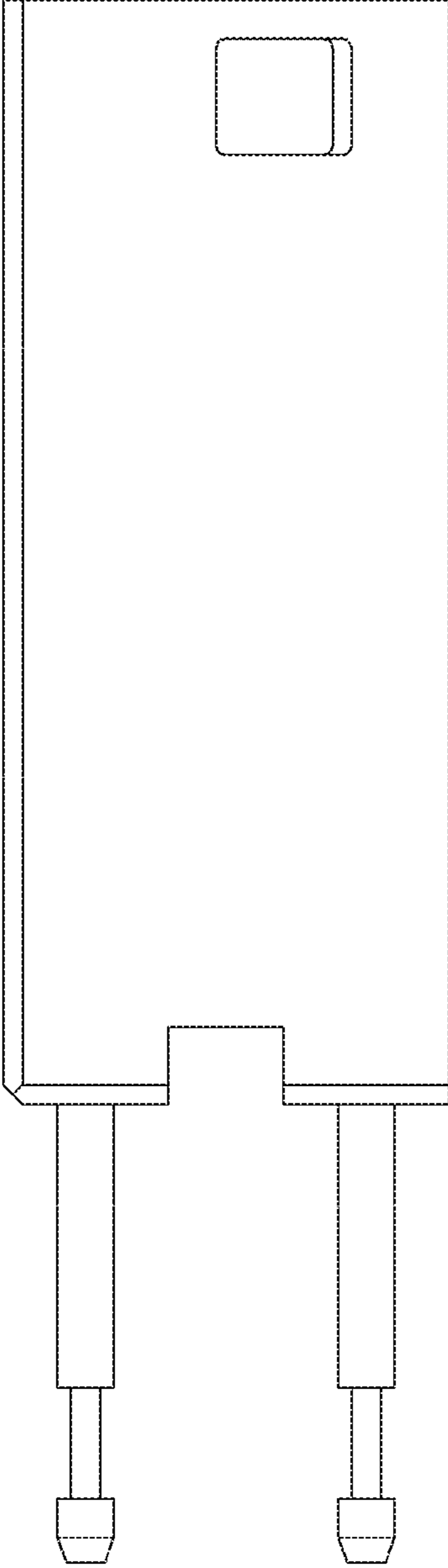


FIG.1

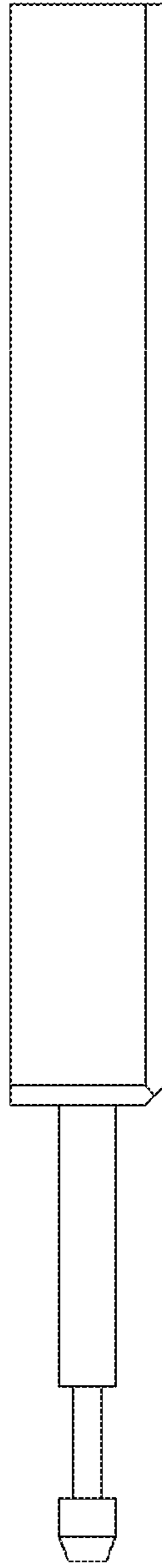


FIG.2

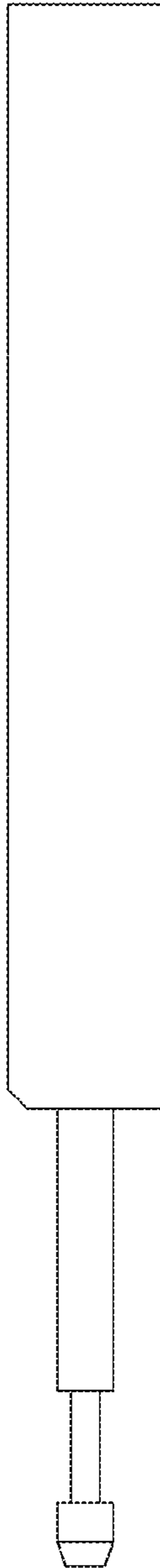


FIG.3

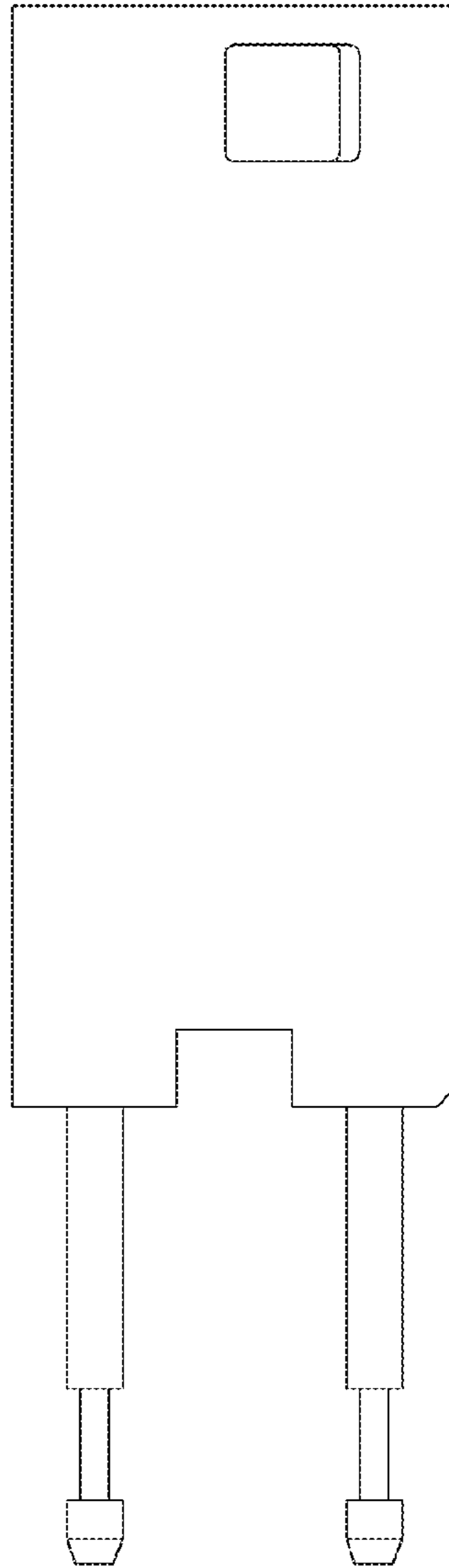


FIG.4

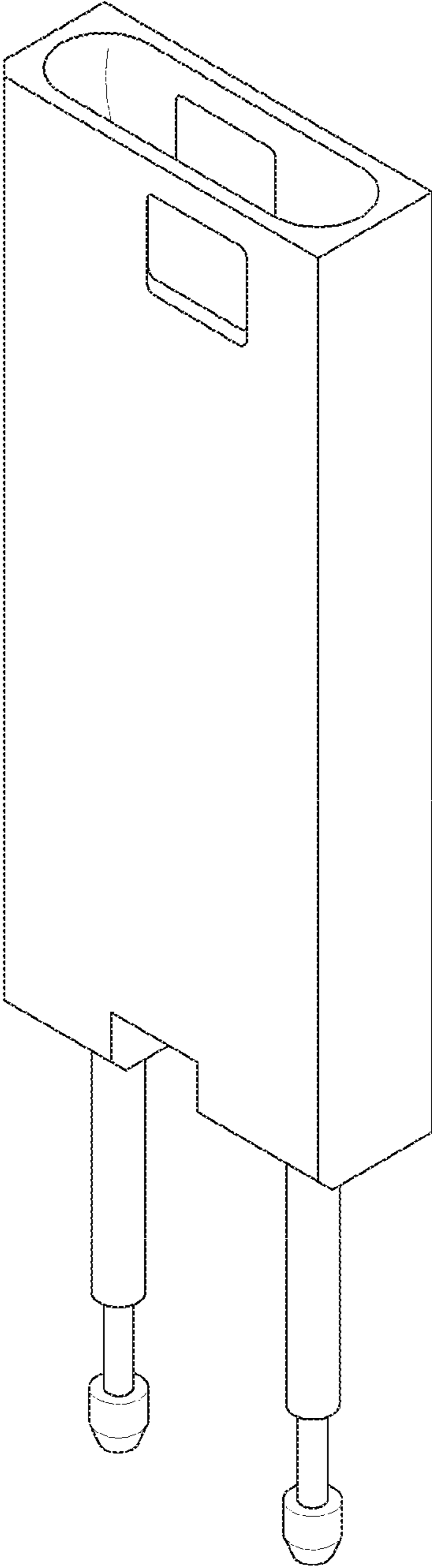


FIG.5

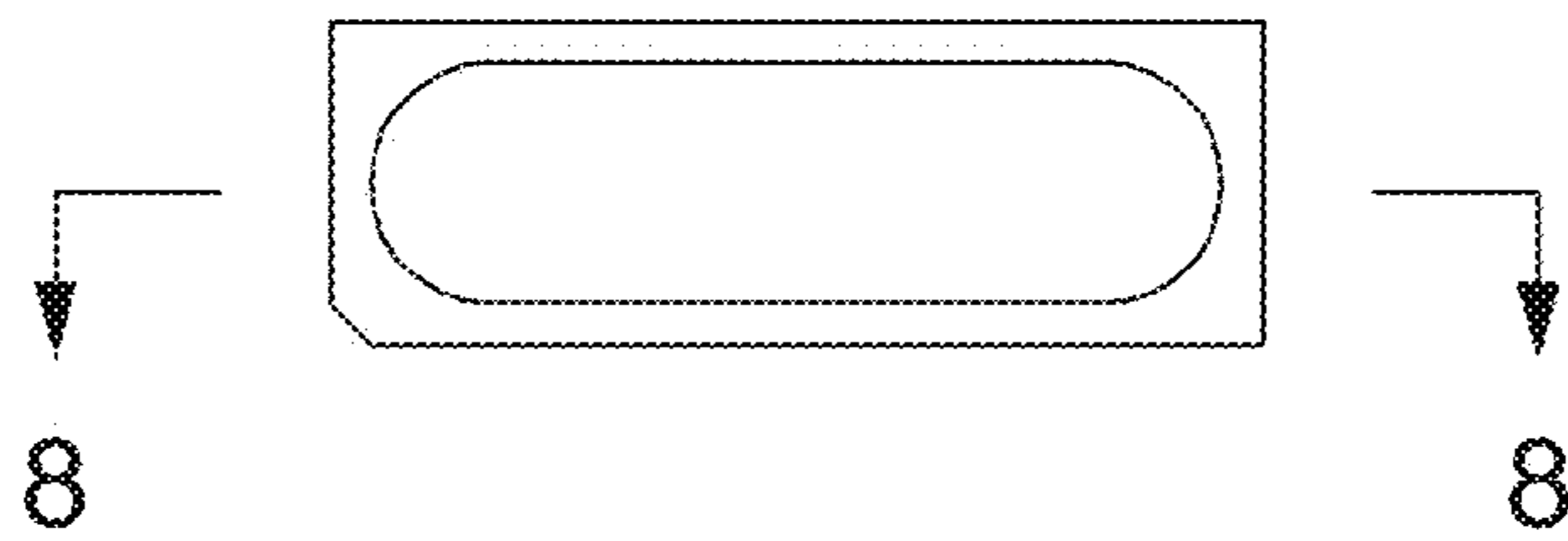


FIG.6

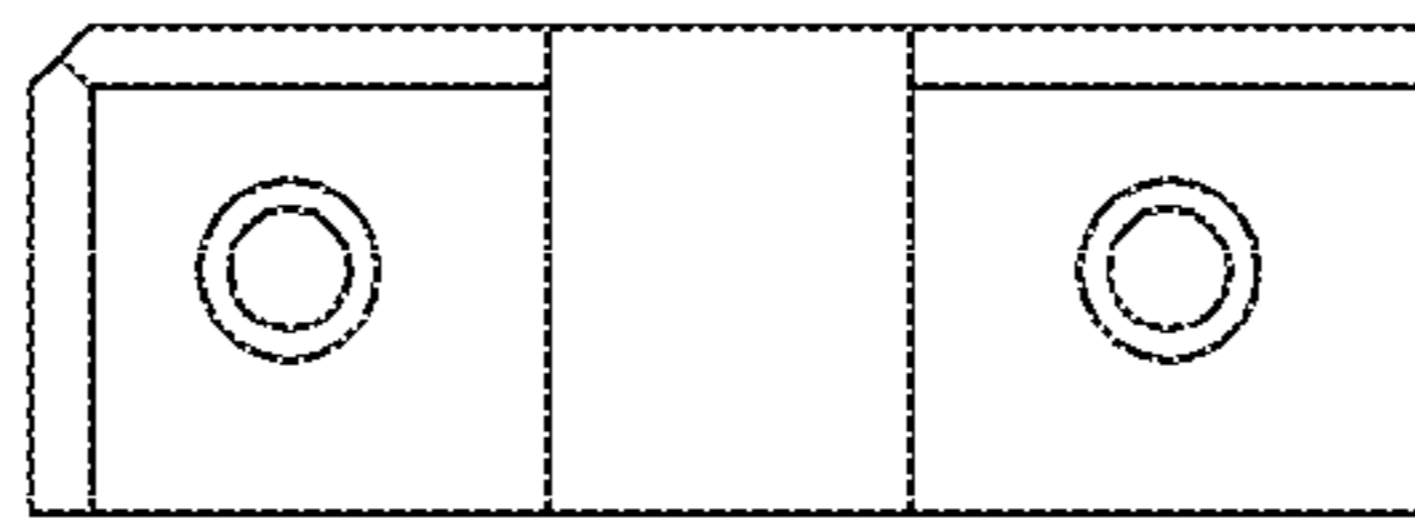


FIG.7

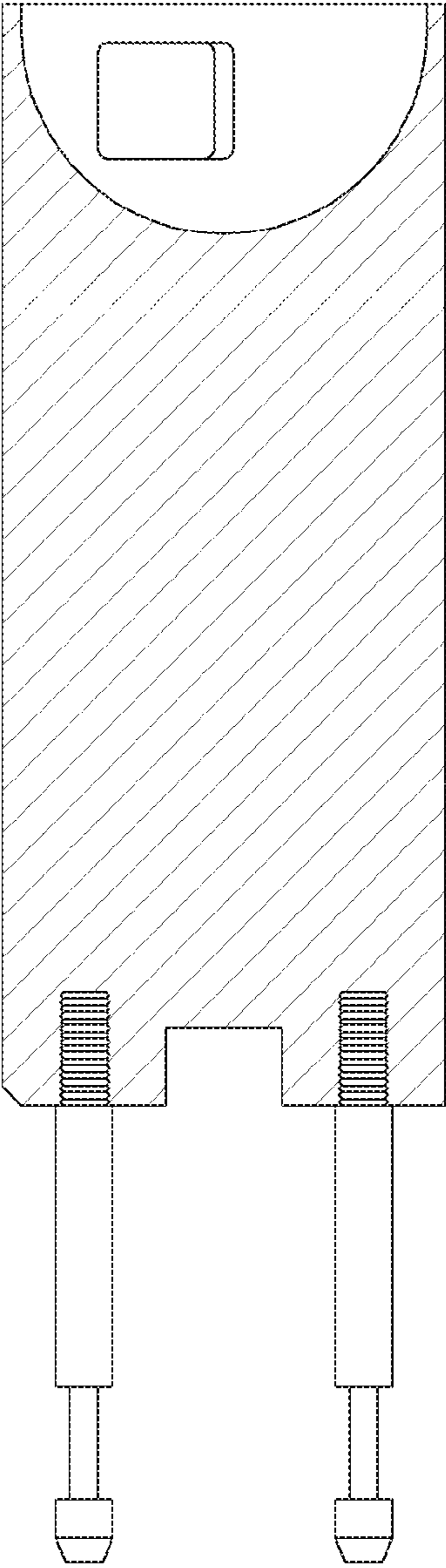


FIG.8

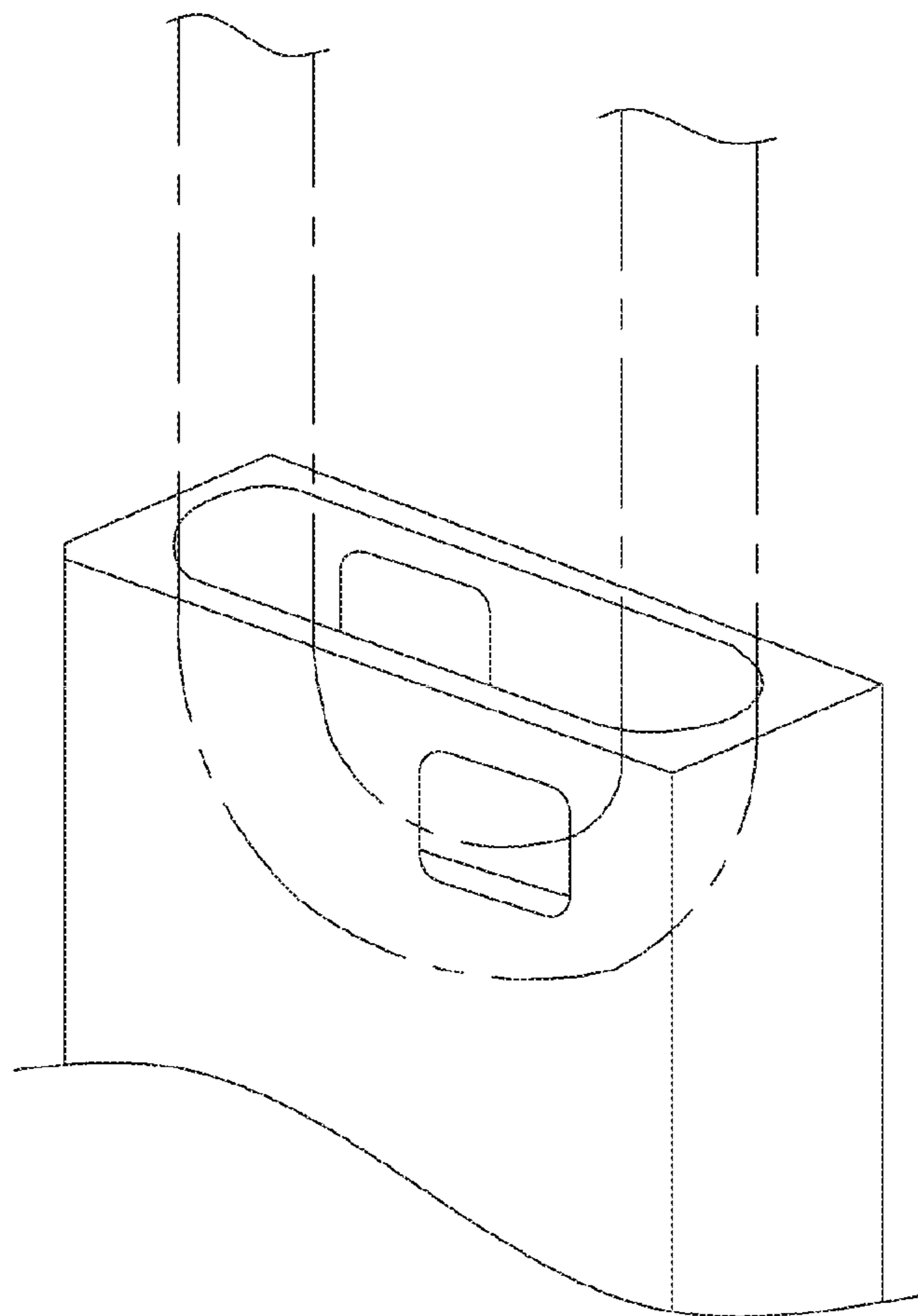


FIG.9

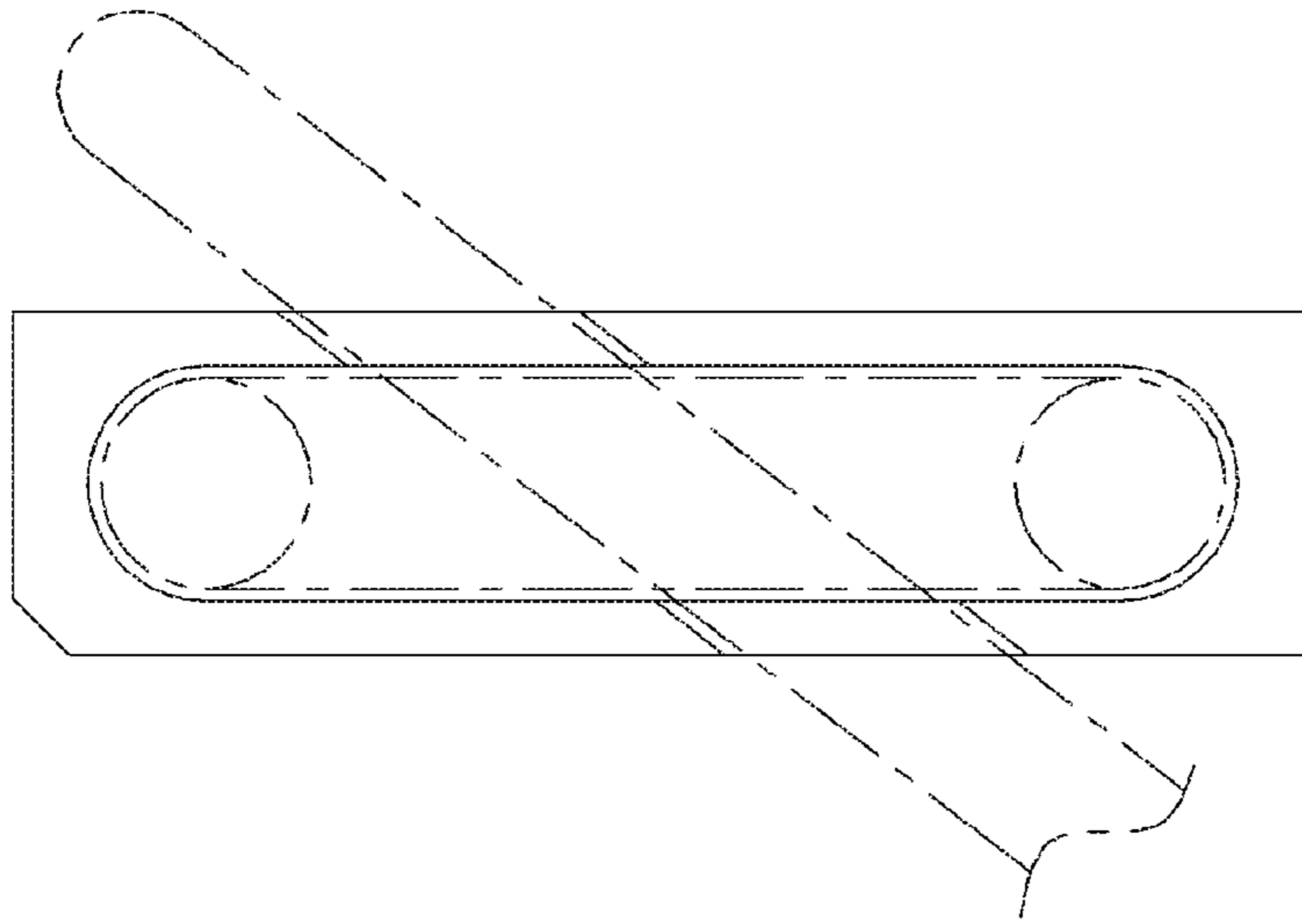


FIG.10