

US00D757235S

(12) **United States Design Patent**
Stauffer et al.

(10) **Patent No.:** **US D757,235 S**
(45) **Date of Patent:** **** May 24, 2016**

- (54) **SINK**
- (71) Applicant: **Kohler Co.**, Kohler, WI (US)
- (72) Inventors: **Monty D. Stauffer**, Sheboygan, WI (US); **Nancy L. Yusko**, Sheboygan, WI (US)
- (73) Assignee: **KOHLER CO.**, Kohler, WI (US)
- (**) Term: **14 Years**
- (21) Appl. No.: **29/513,049**
- (22) Filed: **Dec. 24, 2014**
- (51) **LOC (10) Cl.** **23-02**
- (52) **U.S. Cl.**
USPC **D23/308**
- (58) **Field of Classification Search**
USPC D23/271-274, 284, 286, 291-293.1, D23/303, 308
CPC E03C 1/00; E03C 1/01; E03C 1/02; E03C 1/12; E03C 1/18
See application file for complete search history.

D588,247 S	3/2009	Hanna et al.
D601,677 S	10/2009	Hanna et al.
D601,678 S	10/2009	Soulier
D635,227 S	3/2011	DuFour
D635,229 S	3/2011	DuFour
D652,492 S	1/2012	Slothower et al.
D656,593 S	3/2012	Stauffer
D663,017 S	7/2012	Slothower et al.
D663,390 S	7/2012	Stauffer
D678,991 S	3/2013	Stauffer
D687,529 S	8/2013	Stauffer
D722,143 S	2/2015	Clarke et al.
D724,710 S *	3/2015	Clarke D23/293.1

* cited by examiner

Primary Examiner — Robert Delehanty
(74) *Attorney, Agent, or Firm* — Foley & Lardner LLP

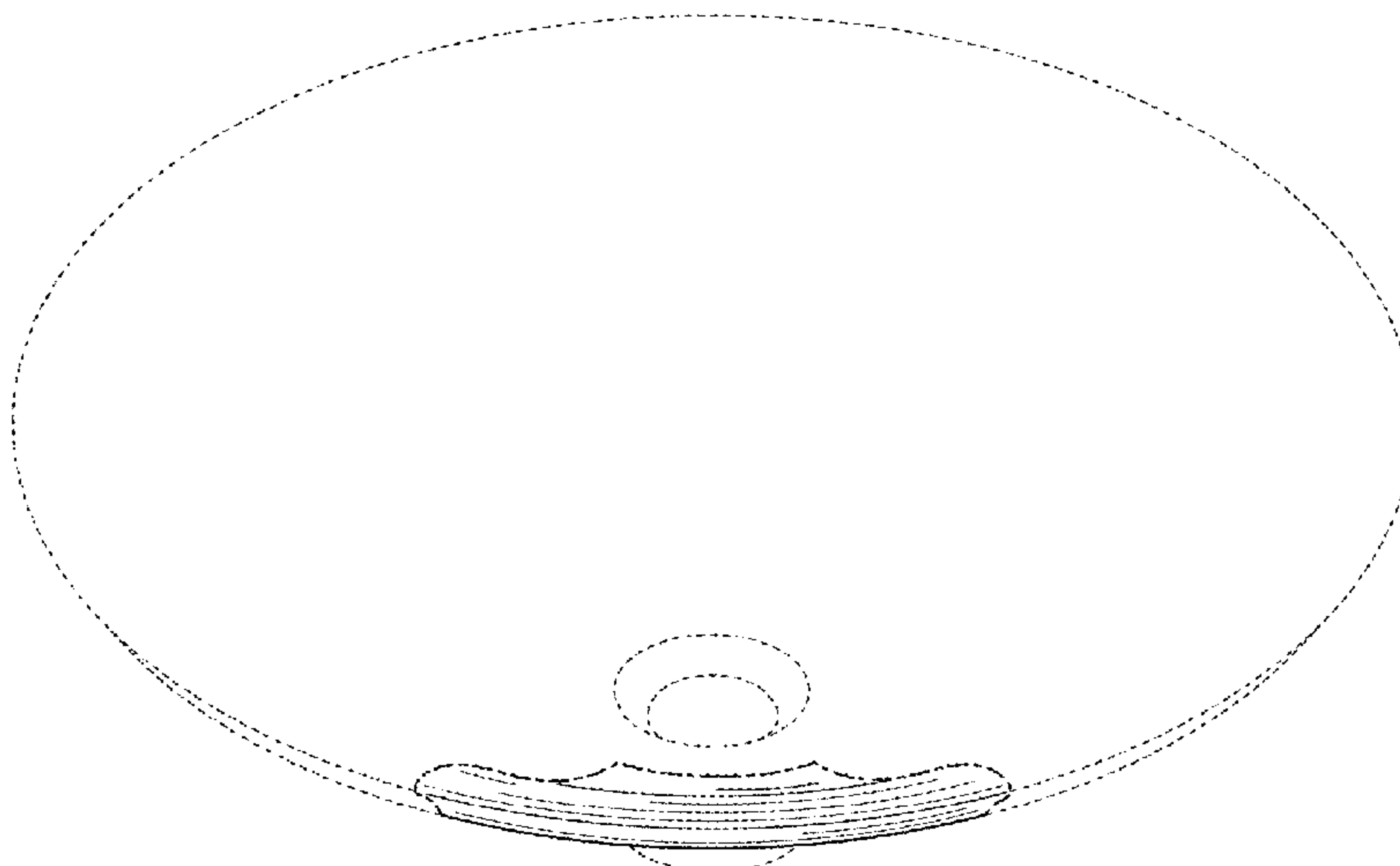
(57) **CLAIM**
We claim the ornamental design for a sink, as shown and described.

DESCRIPTION

FIG. 1 is a top, front perspective view of an embodiment of the claimed design;
FIG. 2 is a front elevation view thereof;
FIG. 3 is a top plan view thereof;
FIG. 4 is a bottom plan view thereof; and,
FIG. 5 is a cross-sectional view taken along Line 5-5 in FIG. 3.
The ornamental design which is claimed is shown in solid lines in the drawings. The broken lines in the drawings form no part of the claimed design. Broken lines formed by equal length dashes show unclaimed subject matter. Broken lines formed of unequal length dashes (i.e., dash-dot) define bounds of the claimed design.

1 Claim, 5 Drawing Sheets

- (56) **References Cited**
U.S. PATENT DOCUMENTS
D400,237 S * 10/1998 Millard D23/293.1
D537,921 S 3/2007 Kirar
D538,411 S 3/2007 Bates et al.
D540,441 S 4/2007 Bates
D560,775 S 1/2008 Hanna
D560,776 S 1/2008 Hanna
D560,777 S 1/2008 Hanna
D560,778 S 1/2008 Paterson
D560,780 S 1/2008 Hanna
D560,781 S 1/2008 Paterson
D588,240 S 3/2009 Hanna



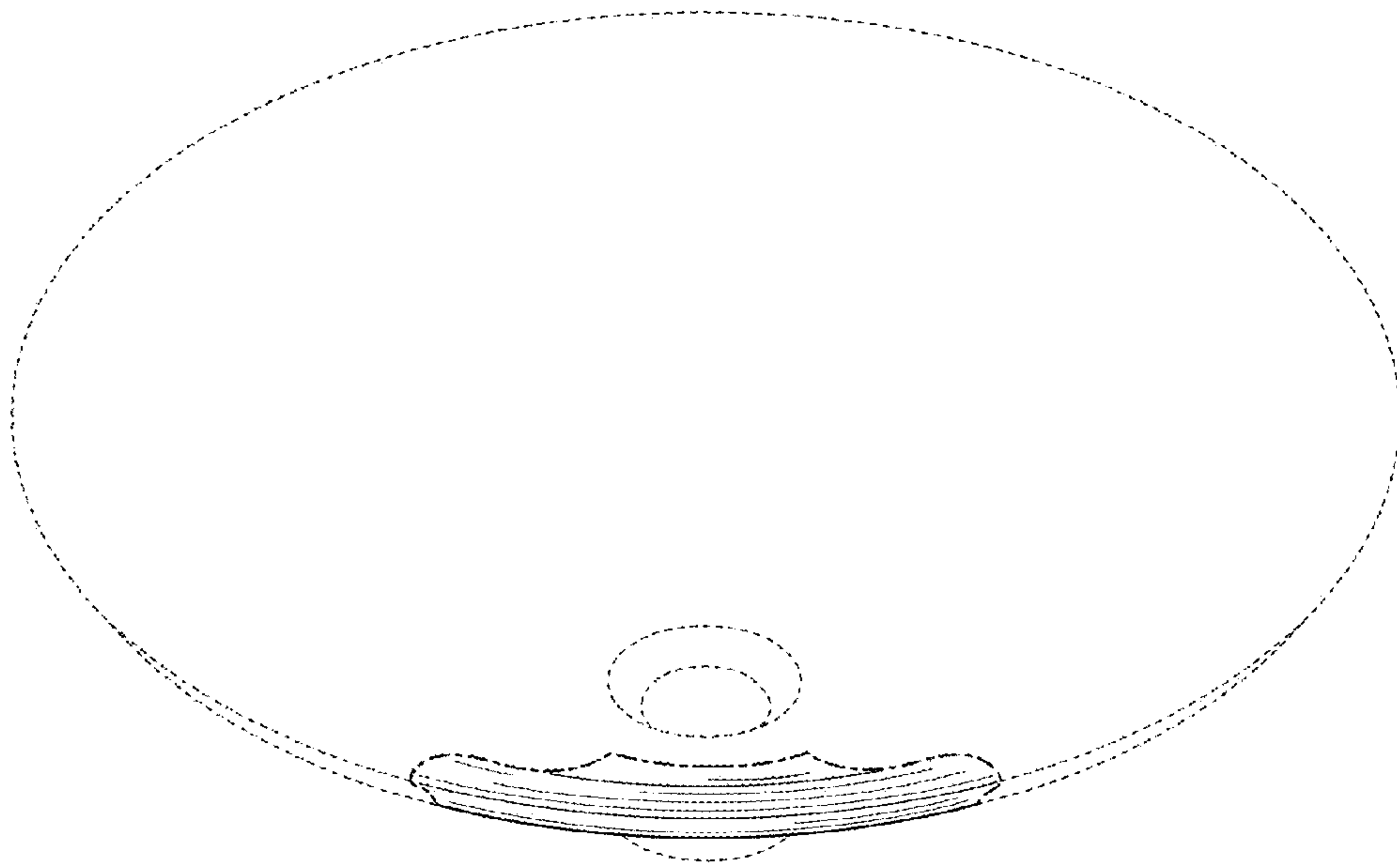


FIG. 1

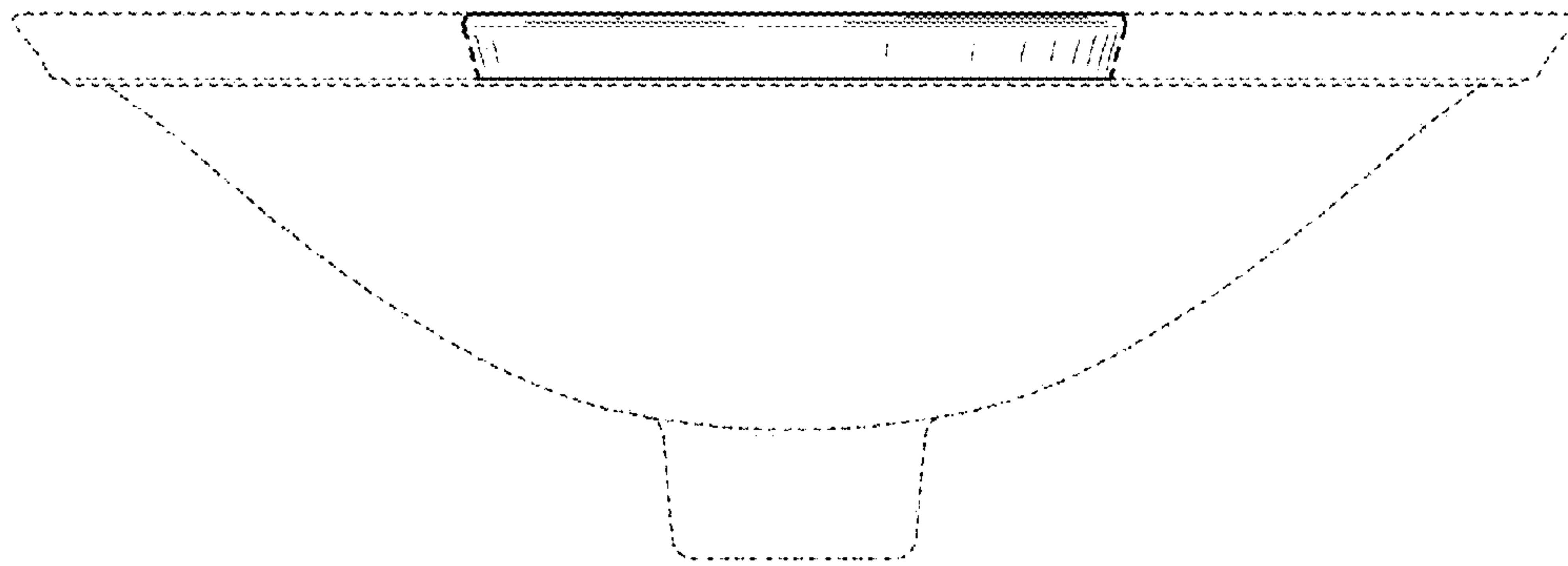


FIG. 2

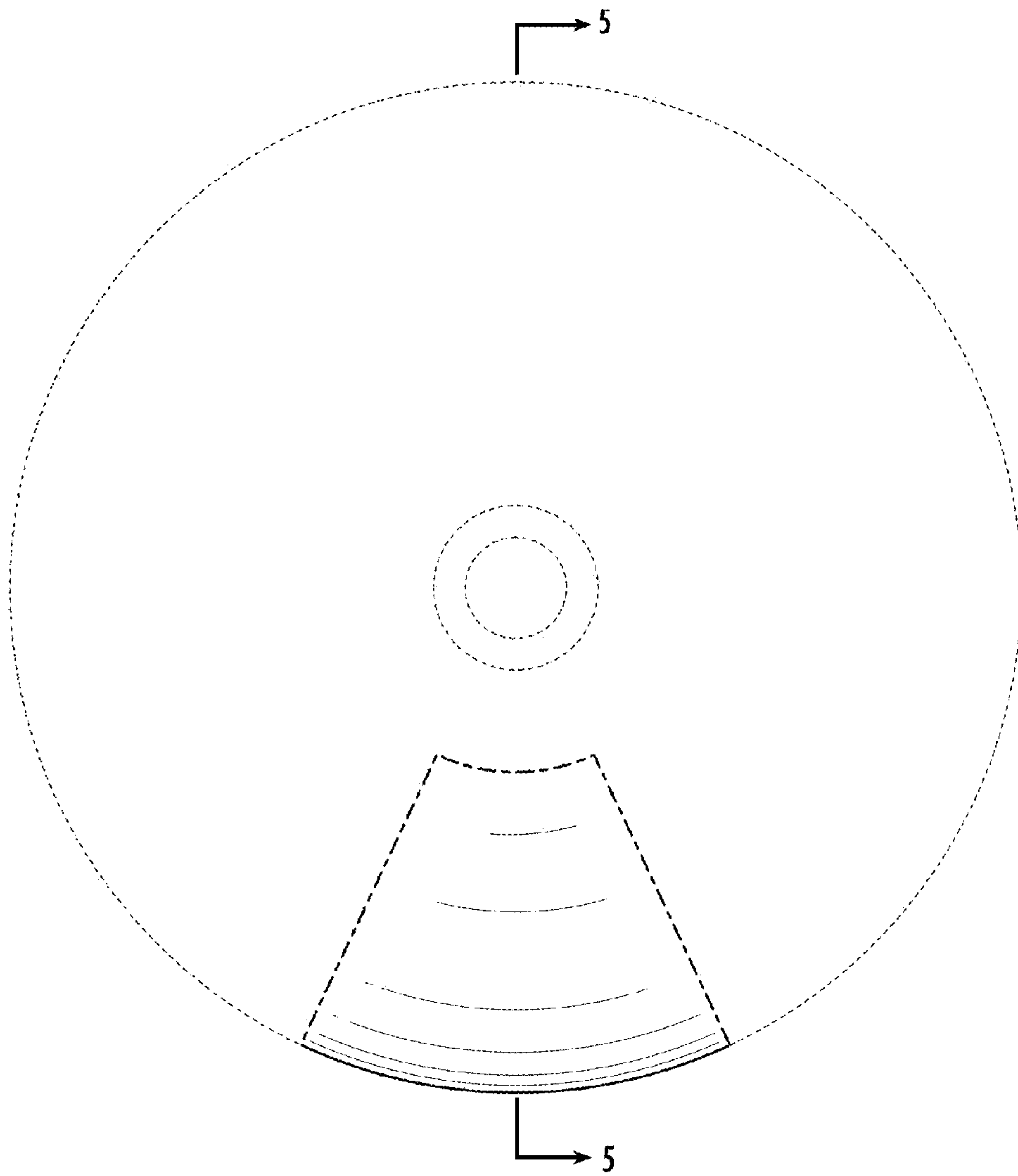


FIG. 3

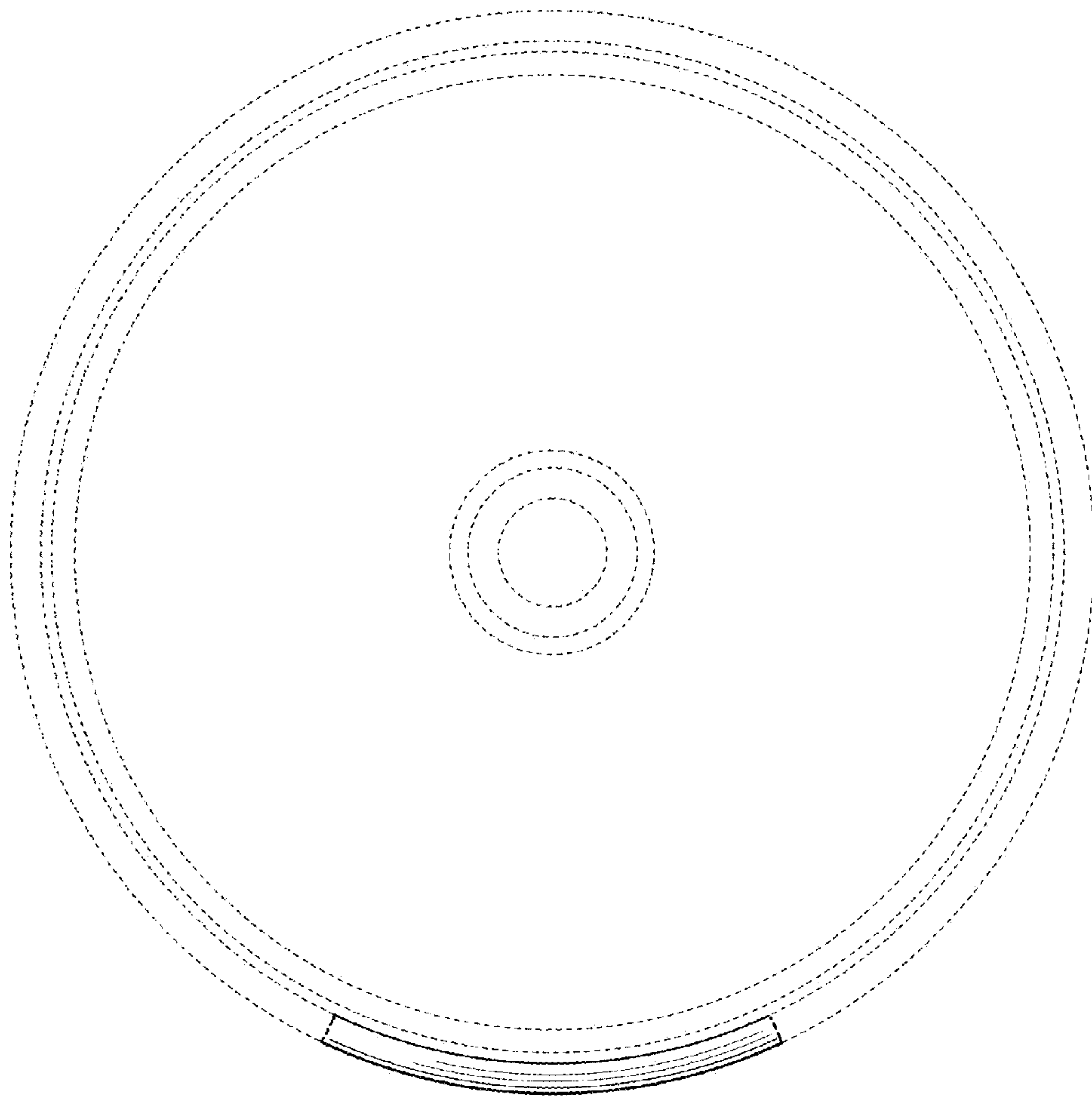


FIG. 4

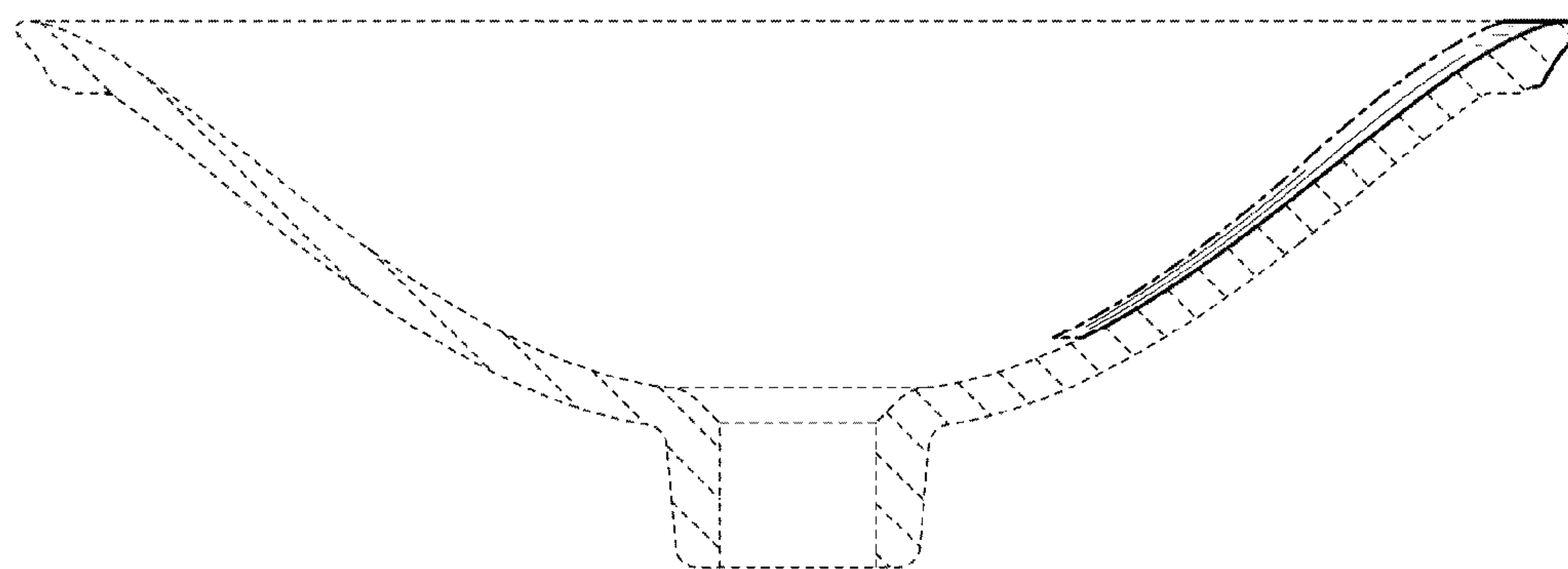


FIG. 5