



US00D757233S

(12) **United States Design Patent**  
**Vaz et al.**

(10) **Patent No.:** **US D757,233 S**  
(45) **Date of Patent:** **\*\* May 24, 2016**

- (54) **MALE HOSE FITTING**
- (71) Applicant: **TEKNOR APEX COMPANY**,  
Pawtucket, RI (US)
- (72) Inventors: **David Vaz**, Riverside, RI (US); **Mark Buchan**, Norton, MA (US)
- (73) Assignee: **TEKNOR APEX COMPANY**,  
Pawtucket, RI (US)
- (\*\*) Term: **14 Years**
- (21) Appl. No.: **29/524,955**
- (22) Filed: **Apr. 24, 2015**
- (51) **LOC (10) Cl.** ..... **23-01**
- (52) **U.S. Cl.**  
USPC ..... **D23/262**
- (58) **Field of Classification Search**  
USPC ..... D23/259-266, 269, 213; D24/129  
CPC ..... F16L 37/088; F16L 37/0841; Y10S  
285/921; A61M 2039/1027  
See application file for complete search history.

(56) **References Cited**

**U.S. PATENT DOCUMENTS**

1,104,508	A	7/1914	Huthsing	
D231,928	S *	6/1974	Nelson	D23/213
D254,505	S *	3/1980	Parsons	D23/262
4,477,109	A *	10/1984	Kleuver	F16L 37/06 285/110
4,541,657	A *	9/1985	Smyth	F16L 37/086 285/305
D283,342	S *	4/1986	Tisserat	D23/262
5,285,561	A *	2/1994	Manning	F16L 33/2076 29/417
D383,378	S *	9/1997	Schrader	D23/262
D392,722	S *	3/1998	Kurz	D23/262
6,113,153	A	9/2000	Yang	
6,948,527	B2	9/2005	Ragner et al.	
7,168,451	B1	1/2007	Dundas	

7,549,448	B2	6/2009	Ragner et al.	
D613,780	S	4/2010	Henry et al.	
D631,351	S *	1/2011	Coon	D9/453
7,971,617	B2	7/2011	Henry et al.	
7,975,633	B2	7/2011	Henry et al.	
D645,632	S	9/2011	Henry et al.	
D648,502	S	11/2011	Henry et al.	
D648,503	S	11/2011	Henry et al.	
D650,052	S *	12/2011	Drenth	D23/269
8,141,609	B2	3/2012	Henry et al.	
8,211,262	B2	7/2012	Henry et al.	
D666,644	S	9/2012	Henry	
8,272,420	B2	9/2012	Henry	
8,291,941	B1	10/2012	Berardi	
8,291,942	B2	10/2012	Berardi	
8,359,991	B2	1/2013	Henry et al.	
8,371,143	B2	2/2013	Ragner	
D679,784	S *	4/2013	Meyer	D23/262

(Continued)

**FOREIGN PATENT DOCUMENTS**

GB	904638	8/1962
GB	1017331	1/1966

(Continued)

*Primary Examiner* — George D Kirschbaum

*Assistant Examiner* — Amy Wierenga

(74) *Attorney, Agent, or Firm* — Hudak, Shunk & Farine Co.  
LPA

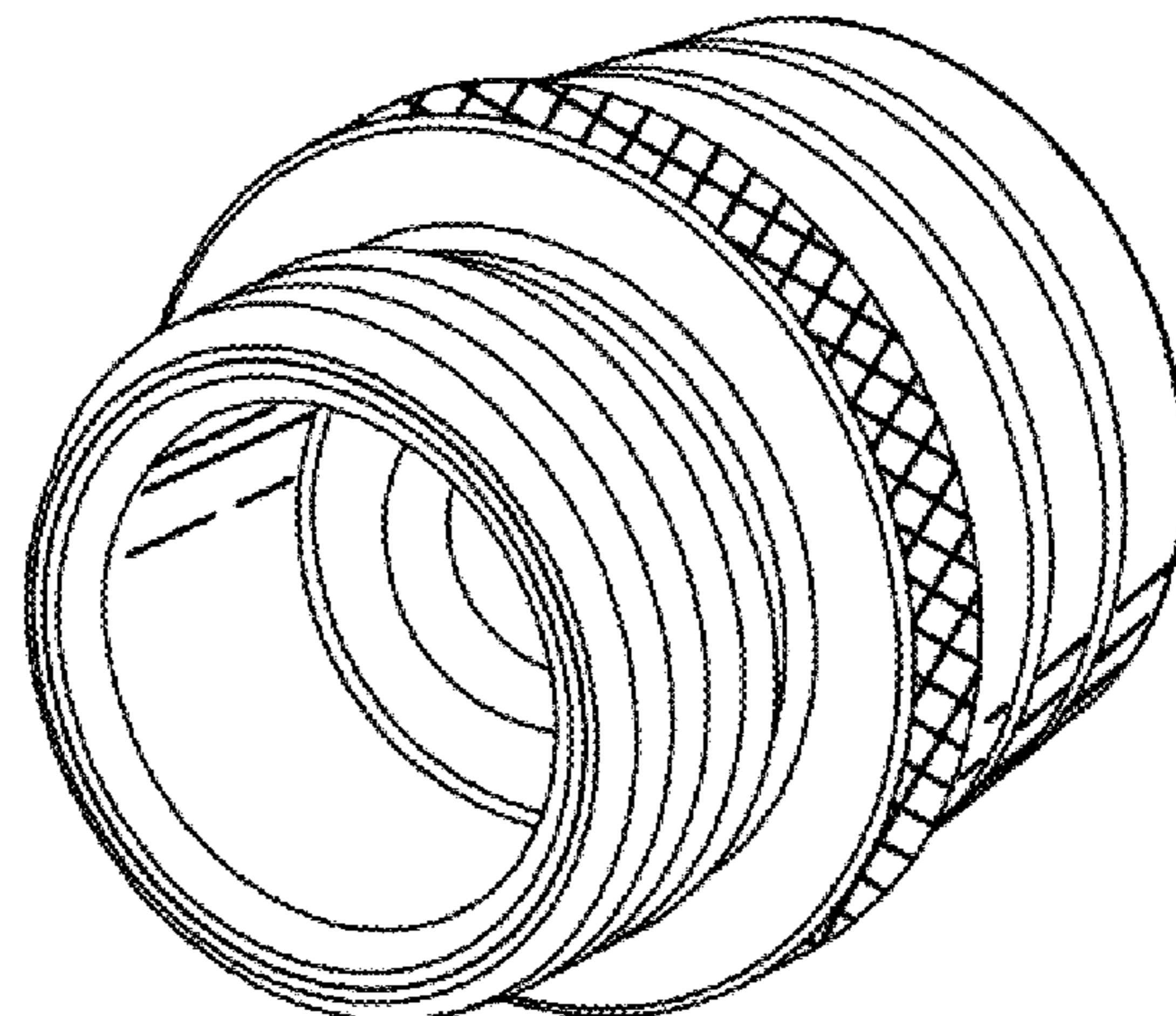
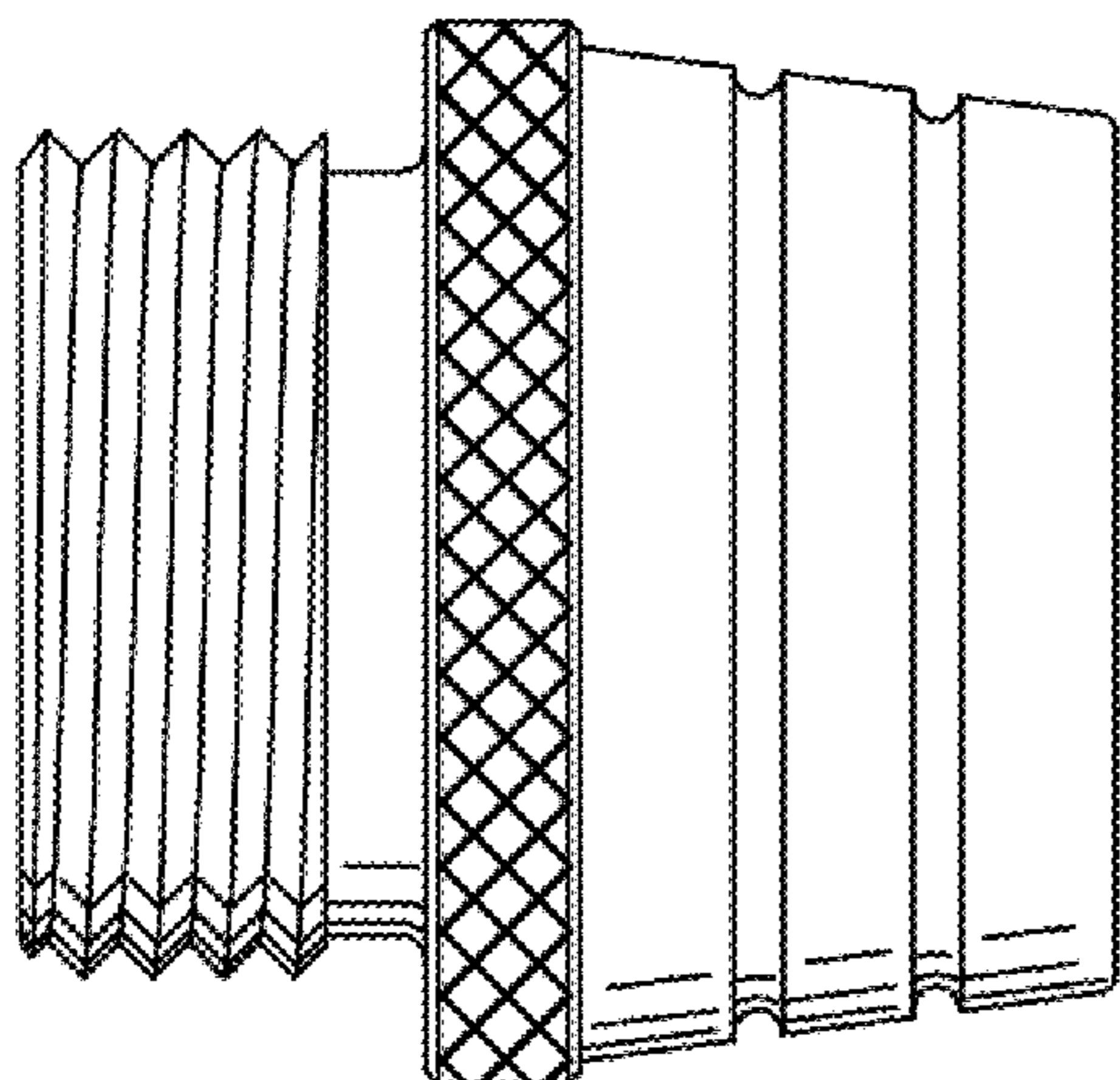
(57) **CLAIM**

The ornamental design for a male hose fitting, as shown and described.

**DESCRIPTION**

FIG. 1 is a side view of a male hose fitting, wherein the opposite side is a mirror image thereof;  
FIG. 2 is a rear side perspective view of FIG. 1;  
FIG. 3 is a front side perspective view of FIG. 1;  
FIG. 4 is a front view of FIG. 1; and,  
FIG. 5 is a rear view of the hose fitting.

**1 Claim, 1 Drawing Sheet**



(56)

References Cited

U.S. PATENT DOCUMENTS

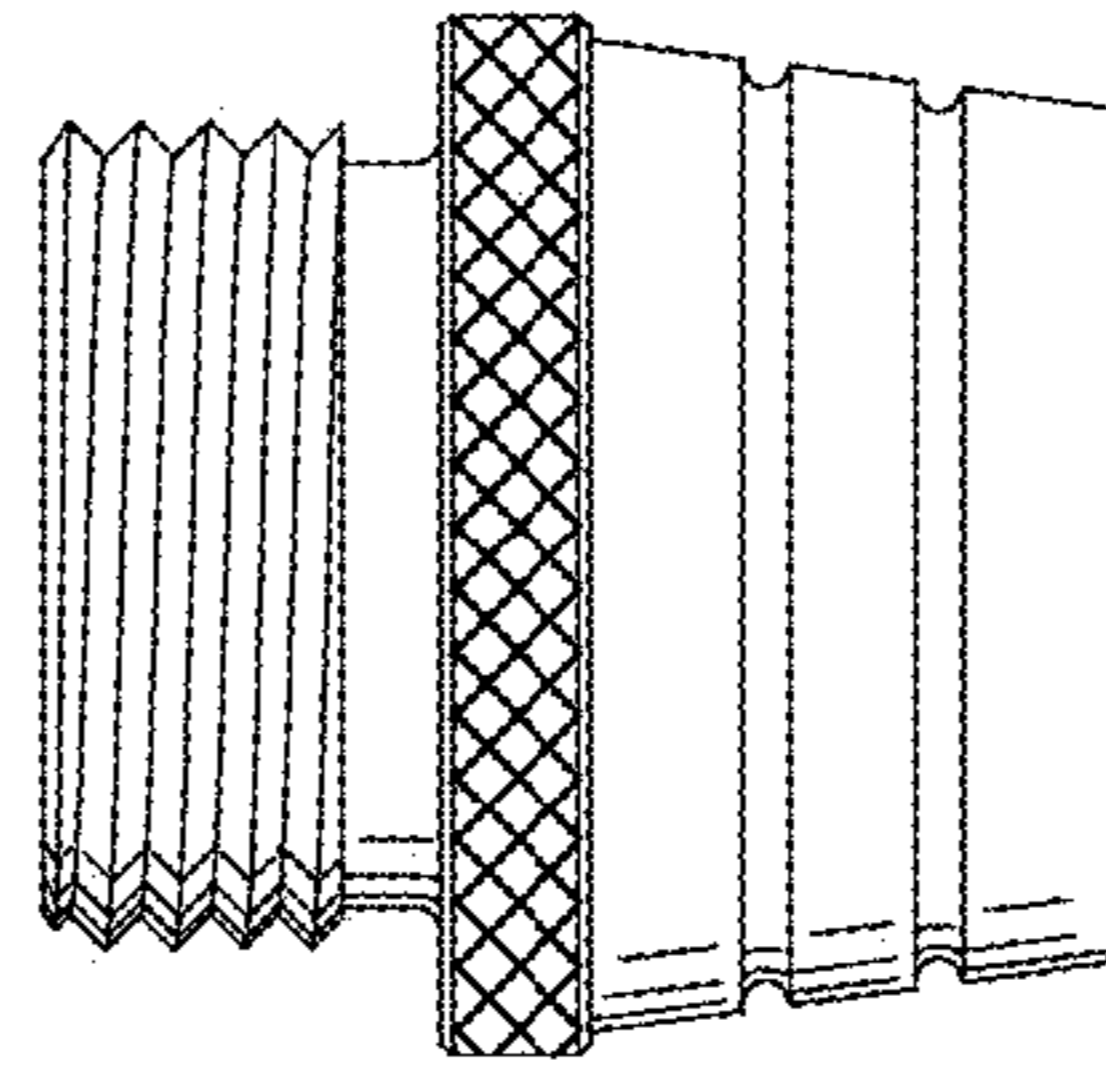
8,453,701 B2 6/2013 Henry  
 8,479,776 B2 7/2013 Berardi  
 D687,528 S \* 8/2013 Meyer ..... D23/262  
 D691,261 S \* 10/2013 Kawamura ..... D24/130  
 D693,393 S 11/2013 Henry  
 D705,284 S 5/2014 Nussbaum  
 D705,285 S 5/2014 Nussbaum  
 D706,904 S \* 6/2014 Faraon Chaul Huerta ... D23/233  
 8,757,213 B2 6/2014 Berardi  
 8,776,836 B2 7/2014 Ragner et al.  
 8,826,838 B2 9/2014 Henry et al.  
 D714,935 S \* 10/2014 Nishioka ..... D24/130  
 D717,406 S \* 11/2014 Stanley ..... D23/259  
 D717,848 S 11/2014 Henry et al.  
 8,936,046 B2 1/2015 Ragner  
 D722,681 S 2/2015 Berardi  
 8,951,380 B2 2/2015 Henry  
 D723,669 S 3/2015 Berardi  
 D724,186 S 3/2015 Berardi  
 9,022,076 B2 5/2015 Ragner et al.  
 D736,914 S \* 8/2015 Schultz ..... D24/129  
 D744,563 S \* 12/2015 Hassan ..... D15/144  
 2011/0083787 A1 4/2011 Henry

2012/0227363 A1 9/2012 Nussbaum  
 2013/0098887 A1 4/2013 Henry  
 2013/0113205 A1 5/2013 Berardi  
 2014/0124125 A1 5/2014 Nussbaum et al.  
 2014/0124127 A1 5/2014 Henry  
 2014/0124136 A1 5/2014 Nussbaum  
 2014/0130930 A1 5/2014 Ragner  
 2014/0150889 A1 6/2014 Ragner  
 2014/0305586 A1 10/2014 Hupp, Sr.  
 2014/0305587 A1 10/2014 Henry  
 2014/0307987 A1 10/2014 Henry  
 2014/0345734 A1 11/2014 Berardi  
 2014/0374020 A1 12/2014 Warnock, II  
 2015/0007902 A1 1/2015 Ragner  
 2015/0041016 A1 2/2015 Ragner  
 2015/0129042 A1 5/2015 Ragner  
 2015/0219259 A1 \* 8/2015 Weems ..... F16L 33/30  
 285/272  
 2015/0219260 A1 \* 8/2015 Kury ..... F16L 33/2076  
 285/256

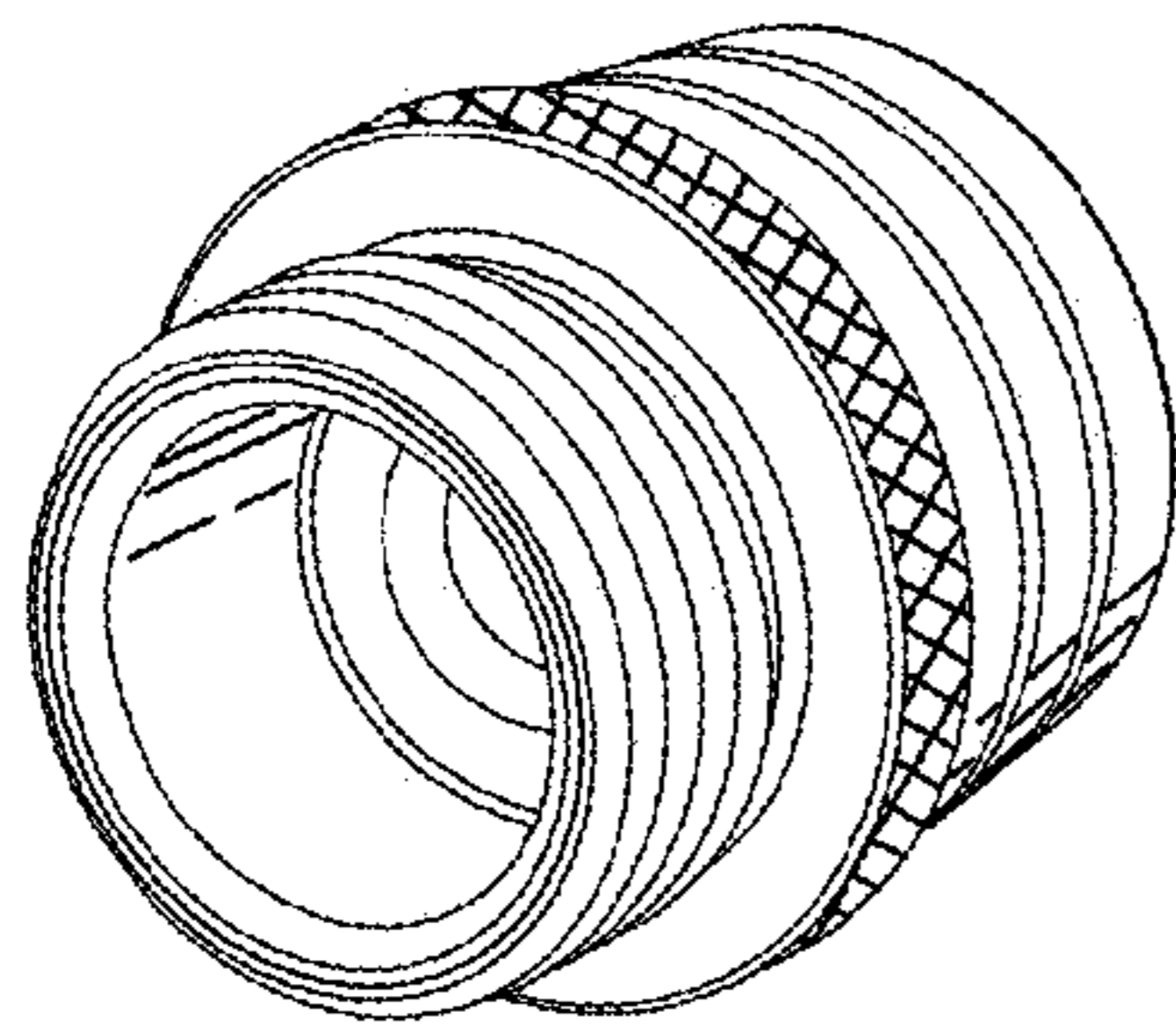
FOREIGN PATENT DOCUMENTS

WO 2014169057 A1 10/2014  
 WO 2015023592 A1 2/2015

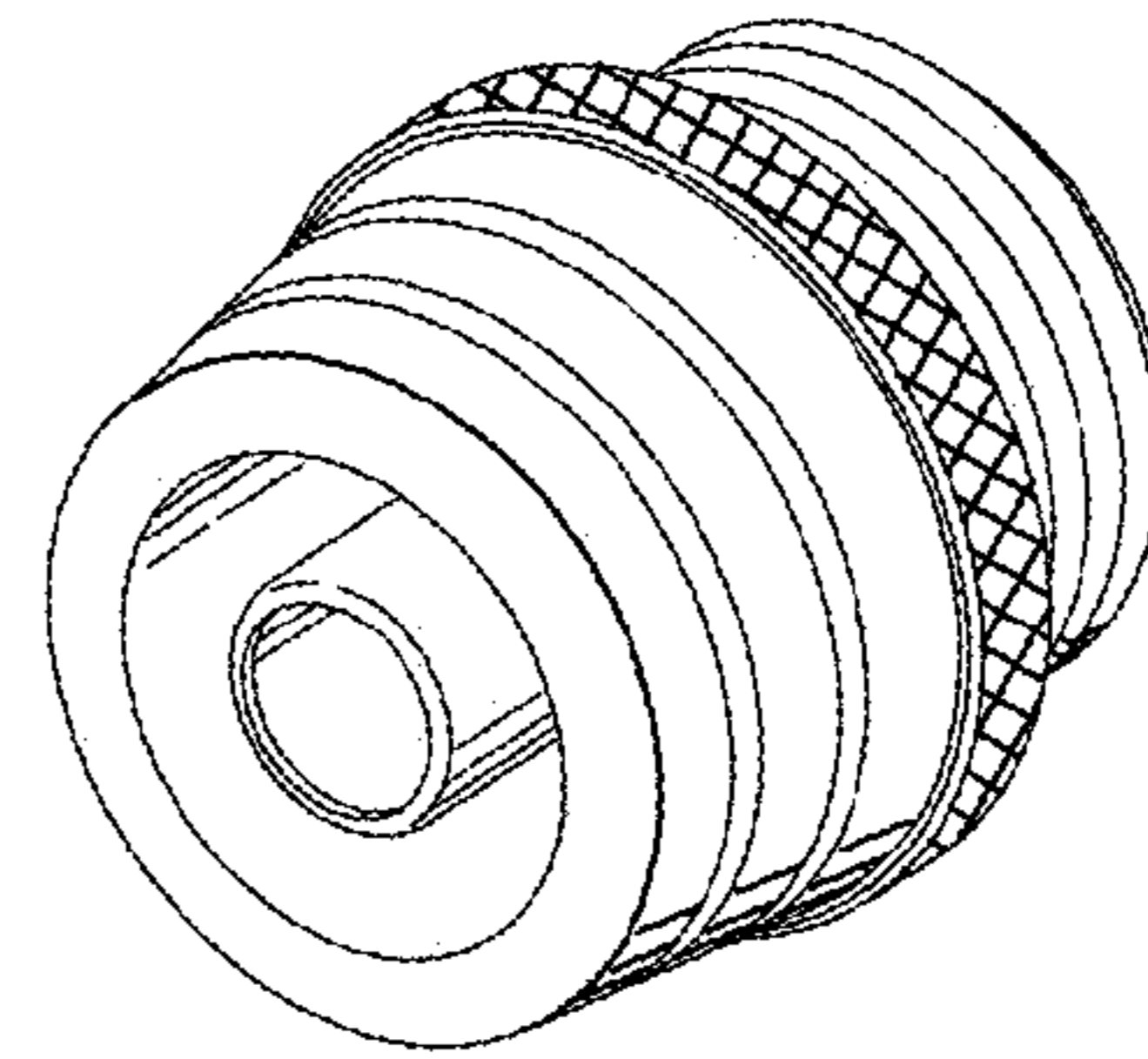
\* cited by examiner



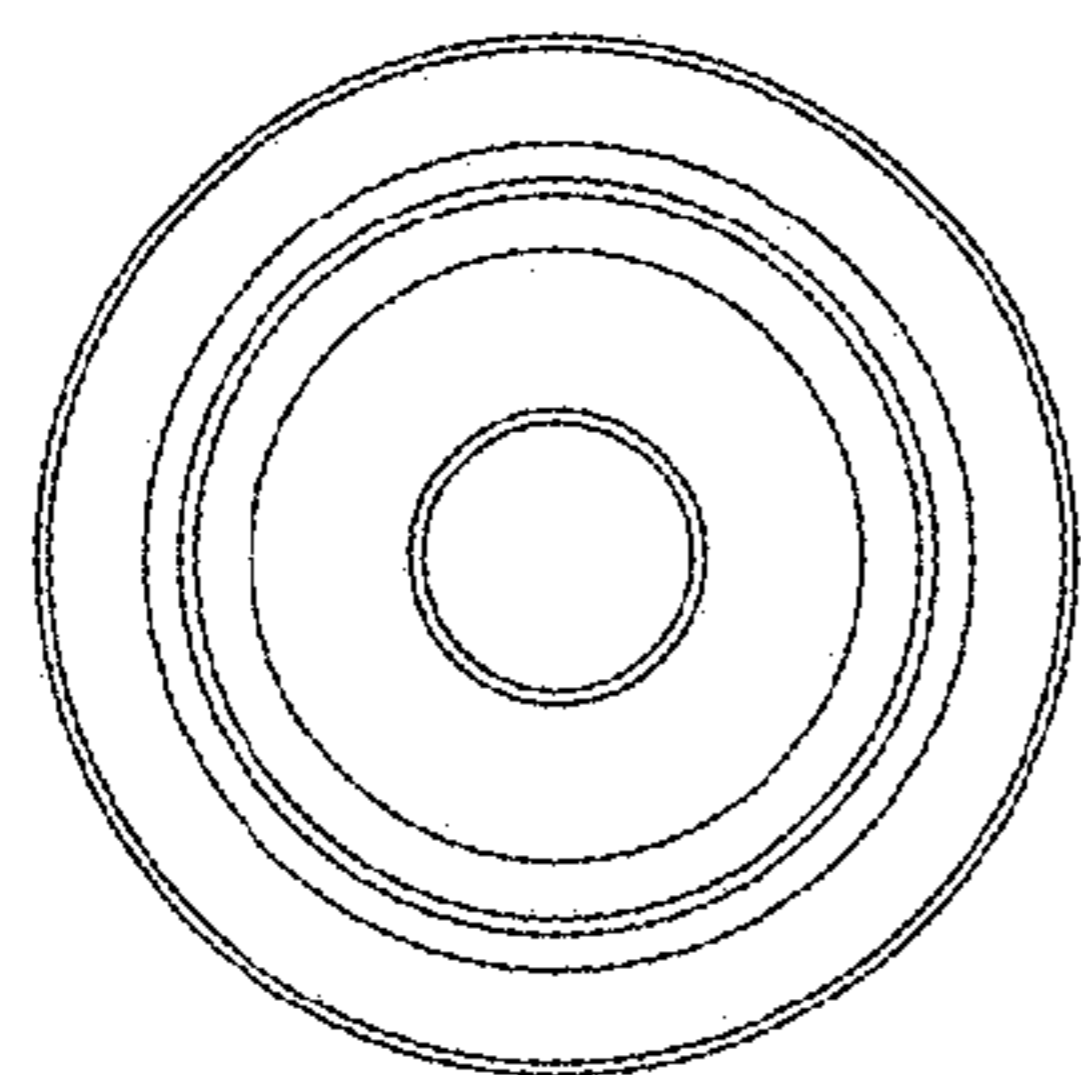
*FIG. 1*



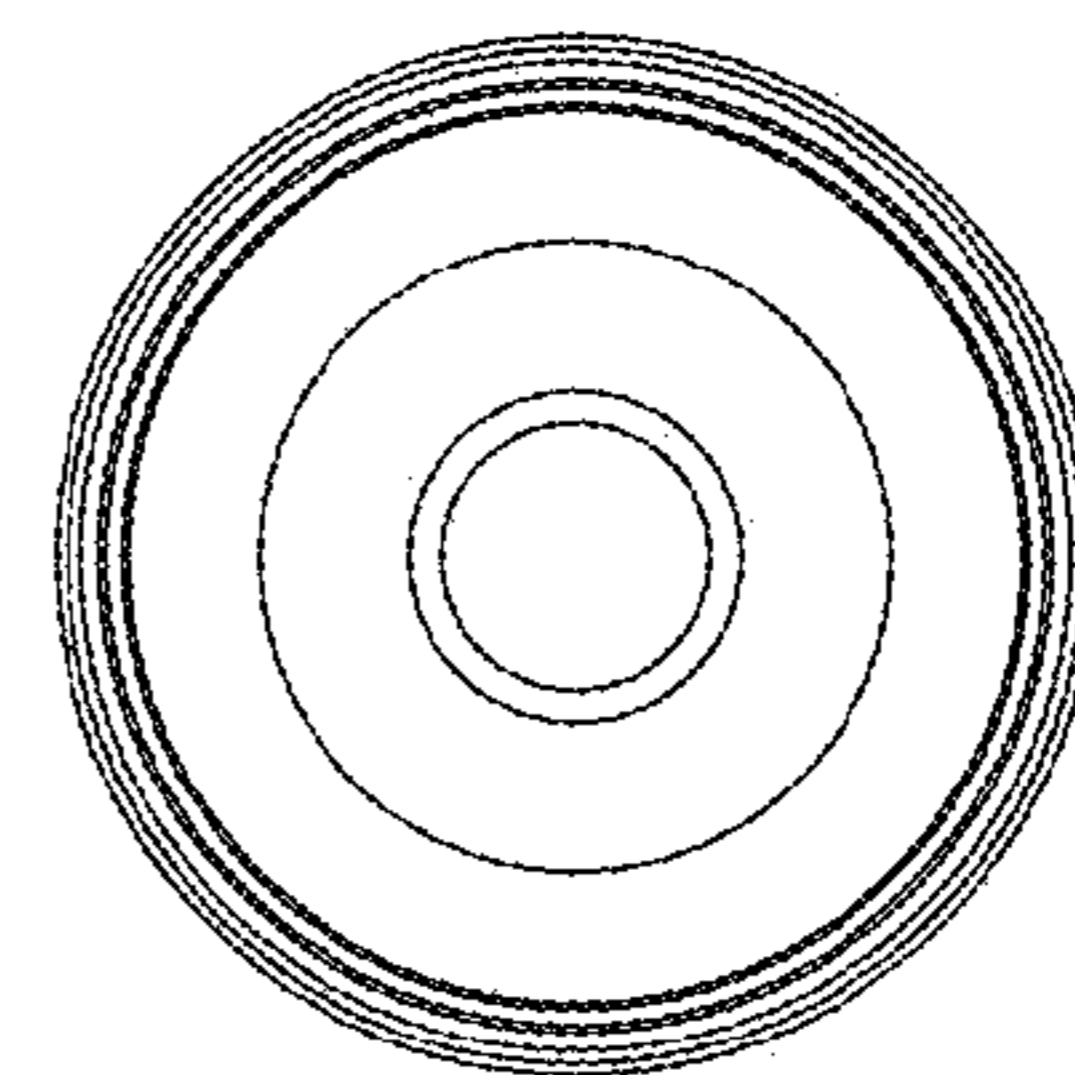
*FIG. 2*



*FIG. 3*



*FIG. 4*



*FIG. 5*