



US00D757232S

(12) **United States Design Patent**  
**Coll et al.**

(10) **Patent No.:** **US D757,232 S**  
(45) **Date of Patent:** **\*\* May 24, 2016**

- (54) **PLUG FOR AN AUXILIARY INLET OF A GARBAGE DISPOSAL**
- (71) Applicant: **Electrolux Home Products, Inc.**,  
Charlotte, NC (US)
- (72) Inventors: **David J. Coll**, Charlotte, NC (US);  
**Ralph A. Porcaro, II**, Clayton, NC (US)
- (73) Assignee: **Electrolux Home Products, Inc.**,  
Charlotte, NC (US)
- (\*\*) Term: **14 Years**
- (21) Appl. No.: **29/517,405**
- (22) Filed: **Feb. 12, 2015**
- (51) **LOC (10) Cl.** ..... **23-01**
- (52) **U.S. Cl.**  
USPC ..... **D23/260**

- D363,767 S \* 10/1995 Swaim ..... D23/260
- 5,503,189 A \* 4/1996 Lamendola ..... F16L 57/005  
138/89.3
- 5,622,208 A 4/1997 Vinson
- 5,659,151 A 8/1997 Dale
- 5,832,545 A \* 11/1998 Pan ..... A47K 1/14  
4/286
- 5,881,397 A \* 3/1999 Hobbs ..... A47K 1/14  
251/297
- 6,073,327 A \* 6/2000 Inoue ..... B25B 27/02  
220/801
- 6,290,092 B1 9/2001 Côté et al.
- 6,490,739 B1 \* 12/2002 Lee ..... A47K 1/14  
4/293
- 7,360,553 B1 4/2008 Ismert

(Continued)

FOREIGN PATENT DOCUMENTS

- DE 3625516 2/1987
- DE 9113789 1/1992

(Continued)

*Primary Examiner* — George D Kirschbaum  
*Assistant Examiner* — Amy Wierenga  
(74) *Attorney, Agent, or Firm* — Alston & Bird LLP

(57) **CLAIM**  
The ornamental design for a plug for an auxiliary inlet of a garbage disposal, as shown and described.

**DESCRIPTION**

FIG. 1 is a perspective view of a plug for an auxiliary inlet of a garbage disposal according to our new design; FIG. 2 is a front elevation view thereof; FIG. 3 is a back elevation view thereof; FIG. 4 is a right side elevation view thereof; FIG. 5 is a left side elevation view thereof; FIG. 6 is a top side elevation view thereof; FIG. 7 is a bottom plan view thereof; and, FIG. 8 is a perspective view of thereof as engaged with a garbage disposal. The dash-dot-dash broken lines represent the bounds of the claimed design, while the dash-dash broken lines are directed to environment and are for the illustrative purposes only. The broken lines form no part of the claim.

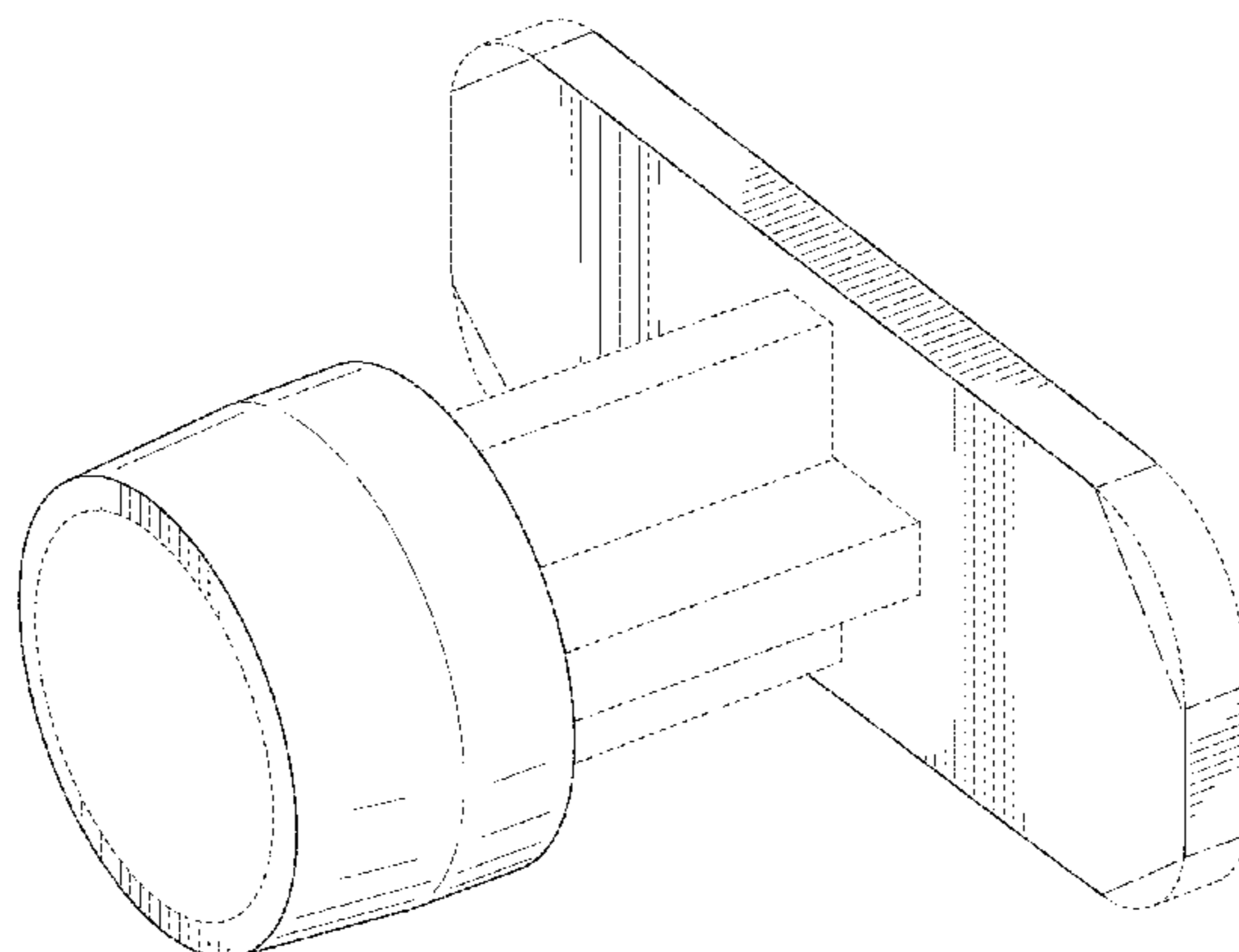
**1 Claim, 6 Drawing Sheets**

(58) **Field of Classification Search**  
USPC ..... D13/120; D23/259–266, 269  
CPC ..... E03F 5/06; E04D 13/0409; E04H 4/1236;  
E03C 1/2306  
See application file for complete search history.

(56) **References Cited**

U.S. PATENT DOCUMENTS

- 2,917,246 A 12/1959 Wieczorek
- 3,013,736 A 12/1961 Pontis
- 3,181,725 A \* 5/1965 Friedl ..... B65D 39/08  
220/293
- 3,181,801 A 5/1965 Lung et al.
- 3,181,802 A 5/1965 Lung et al.
- 3,314,085 A \* 4/1967 Minella ..... E03C 1/23  
4/287
- 3,468,512 A \* 9/1969 Politz ..... E03C 1/23  
251/103
- 3,828,968 A \* 8/1974 Kask ..... B65D 39/12  
138/89
- 4,046,168 A \* 9/1977 Milne ..... B65D 59/02  
138/89
- 5,158,196 A 10/1992 Burger
- 5,255,942 A 10/1993 Kenworthy
- 5,377,361 A 1/1995 Piskula
- 5,445,539 A 8/1995 Dale



(56)

**References Cited**

U.S. PATENT DOCUMENTS

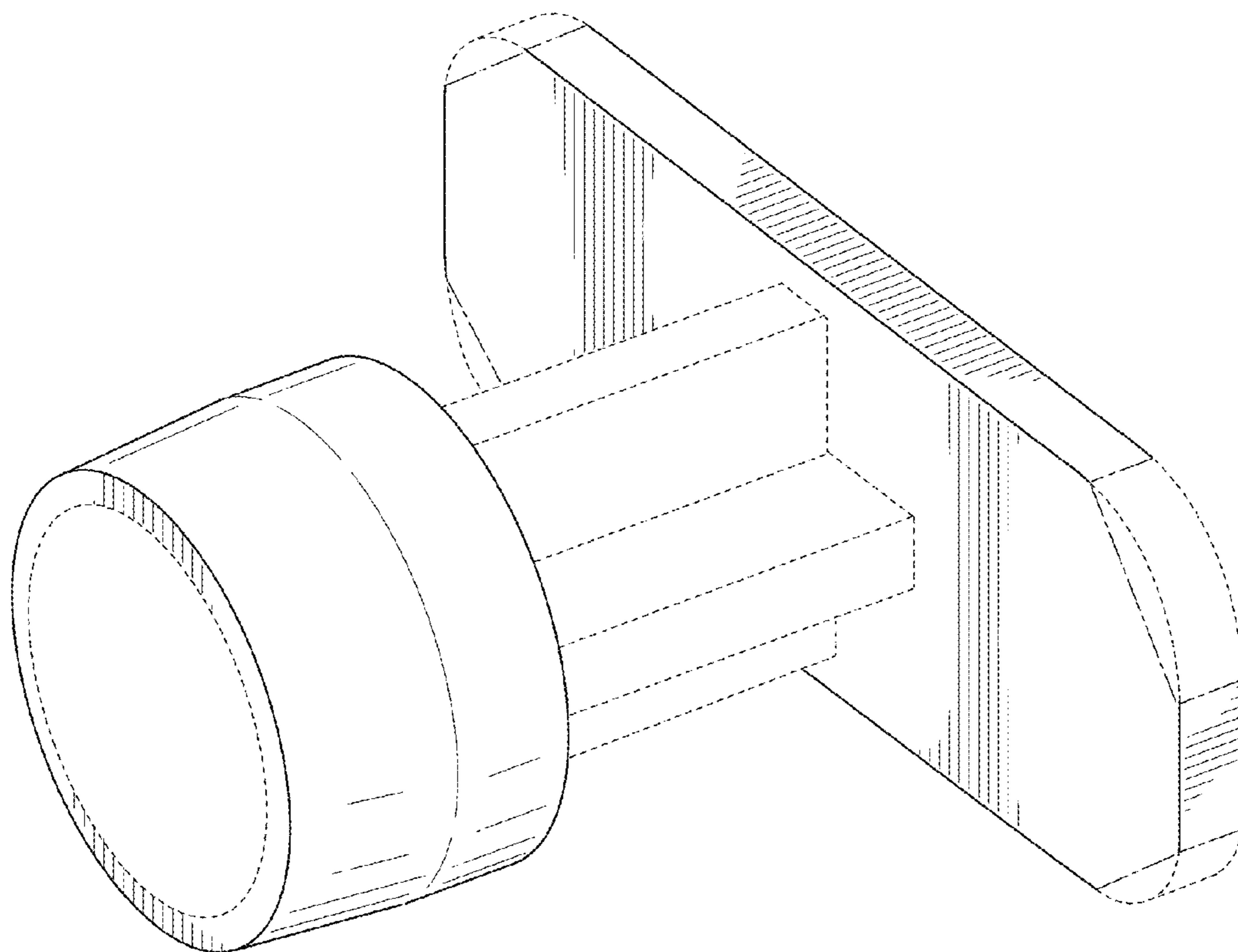
7,419,194 B2 9/2008 Kabelitz et al.  
7,644,734 B2 1/2010 Palmer  
D617,427 S \* 6/2010 McNamara ..... D23/261  
7,854,337 B1 12/2010 Fisher et al.  
8,397,764 B2 3/2013 Murakami et al.  
9,060,656 B2 \* 6/2015 Tong ..... A47K 1/14  
2004/0129327 A1 7/2004 Hooper  
2006/0195976 A1 \* 9/2006 McAlpine ..... E03C 1/23  
4/287

2013/0312177 A1\* 11/2013 Tong ..... E03C 1/2302  
4/689  
2014/0182053 A1\* 7/2014 Huang ..... A47K 1/14  
4/286  
2015/0040312 A1\* 2/2015 Yang ..... E03C 1/2306  
4/679

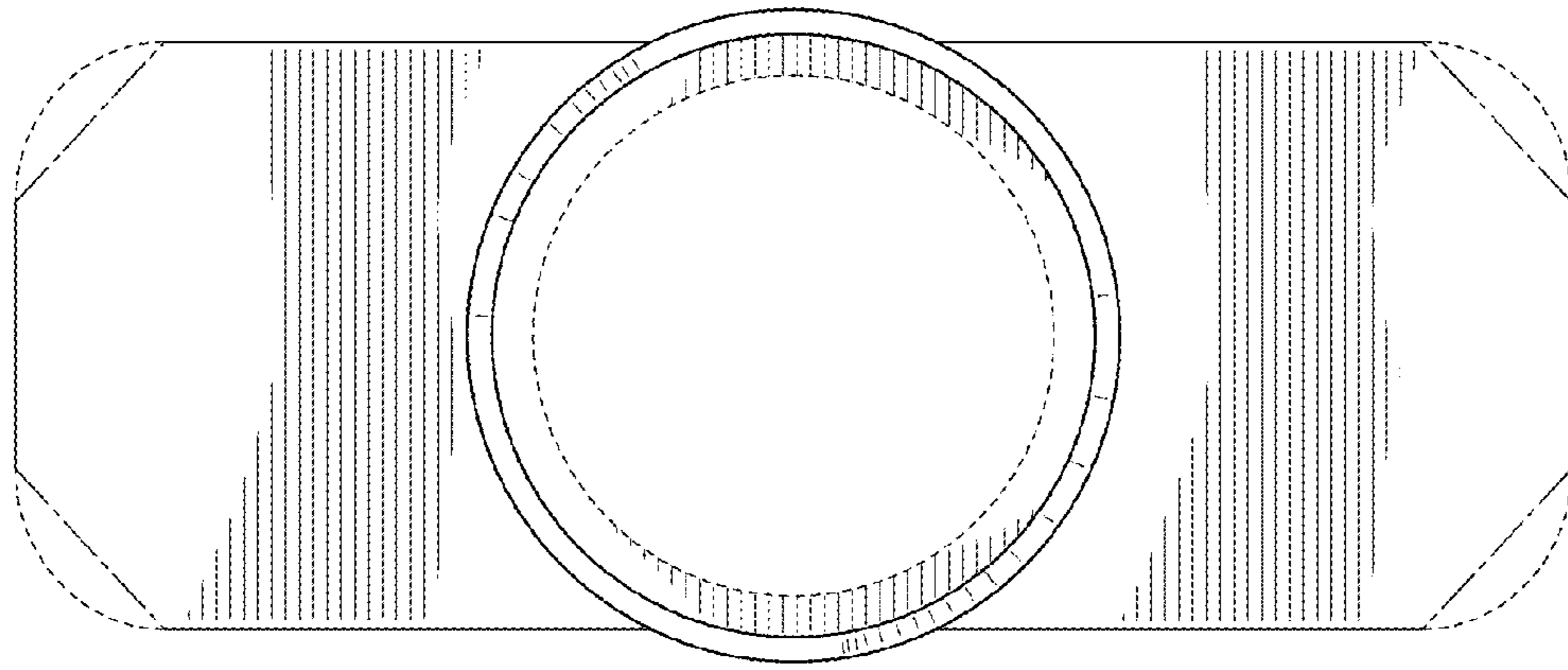
FOREIGN PATENT DOCUMENTS

DE 29618633 12/1996  
DE 19806979 8/1998  
DE 10049231 5/2001

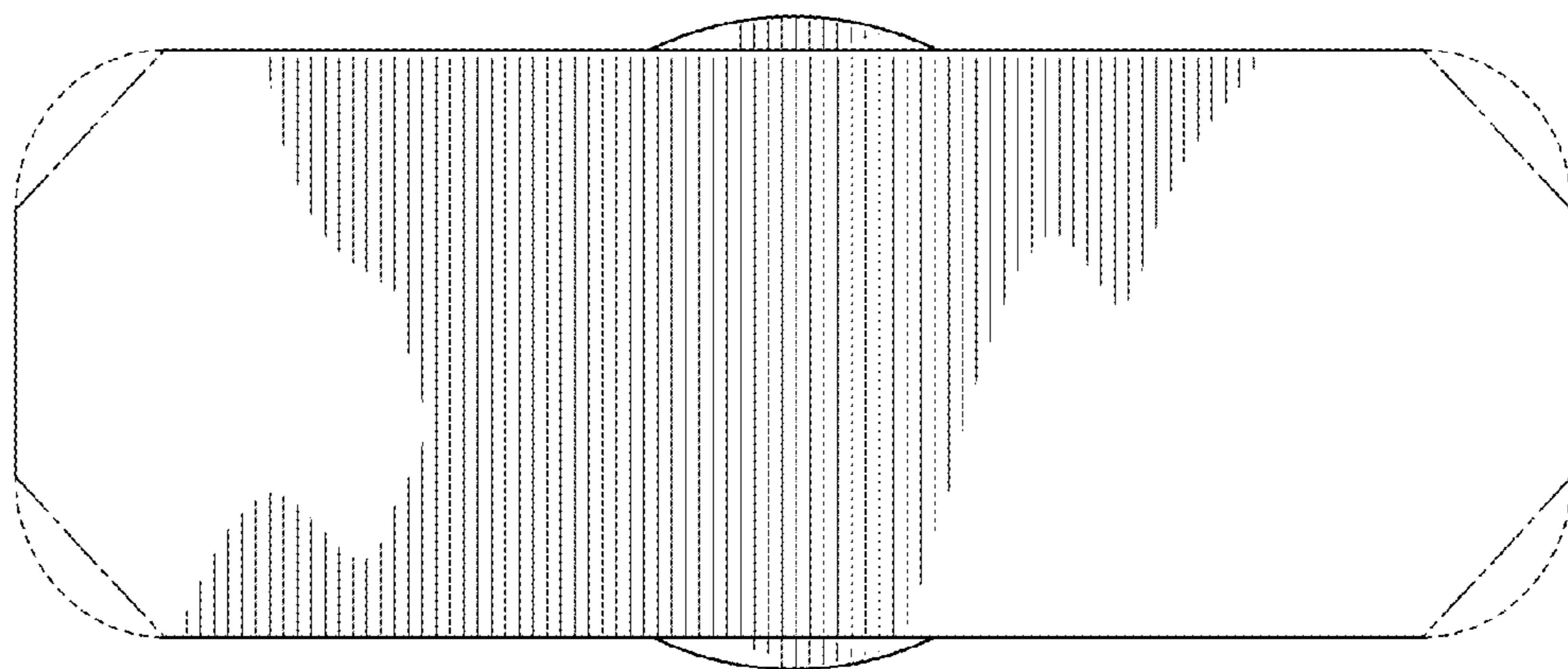
\* cited by examiner



**FIG. 1**



**FIG. 2**



**FIG. 3**

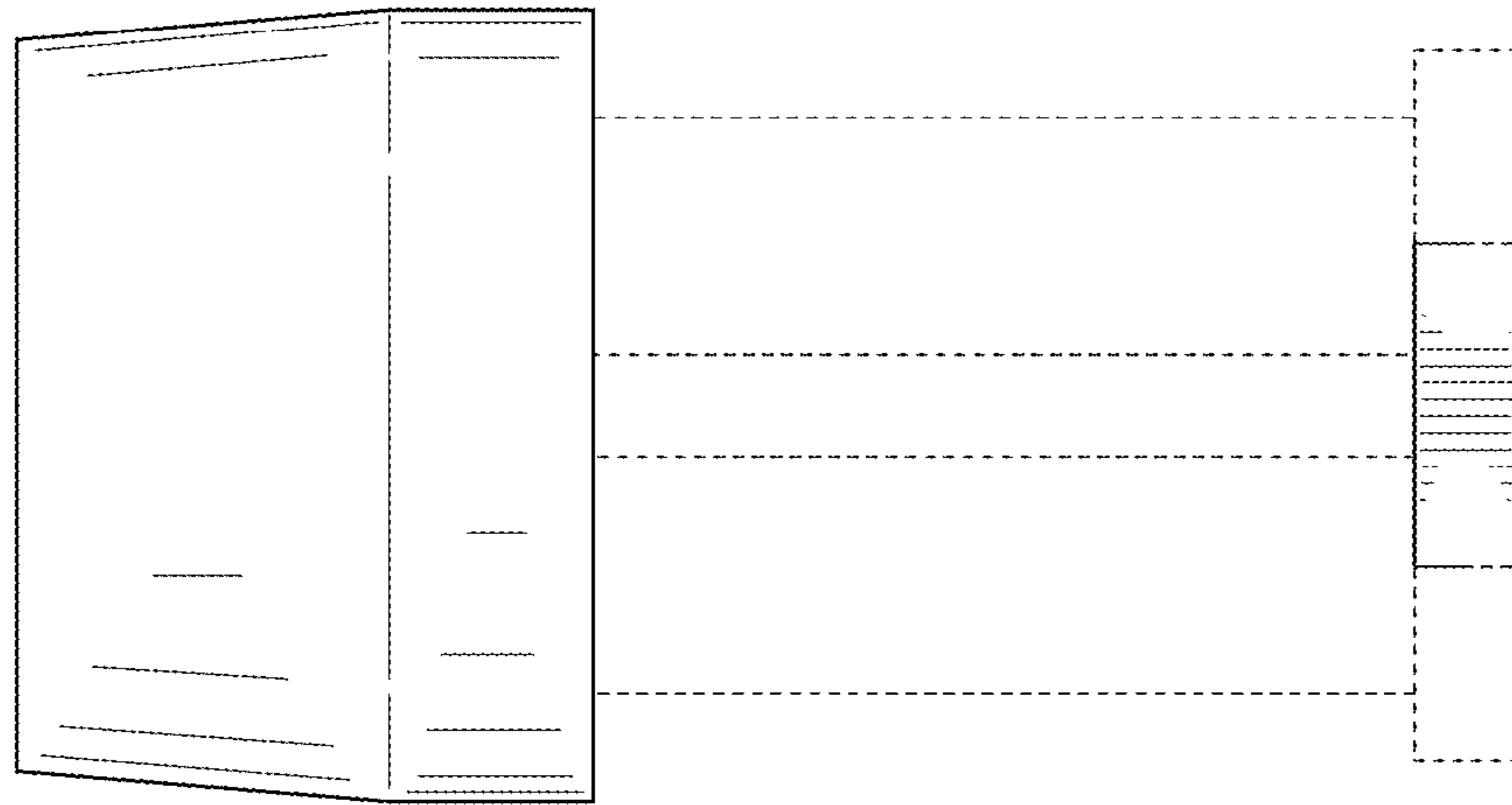


FIG. 4

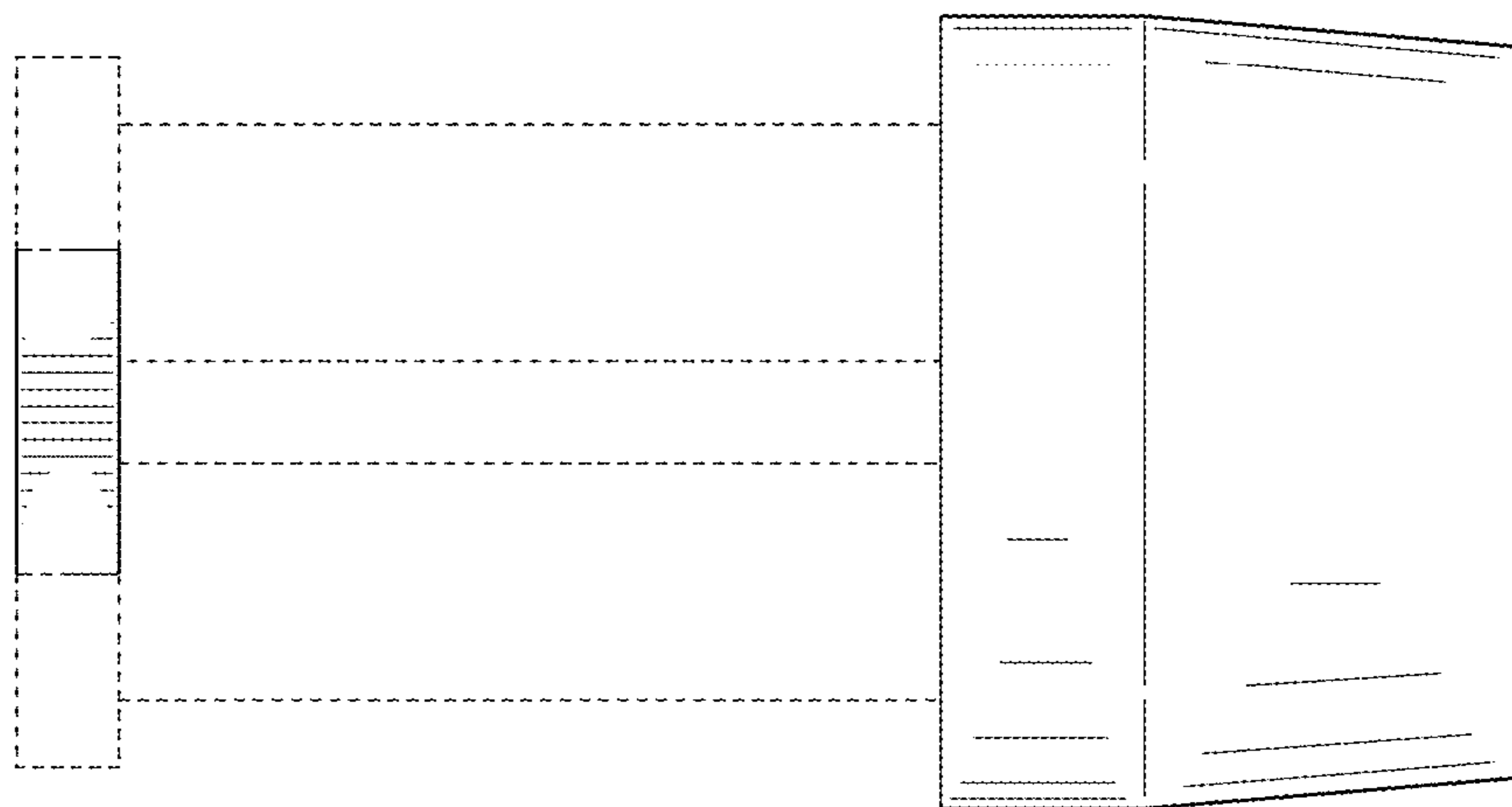
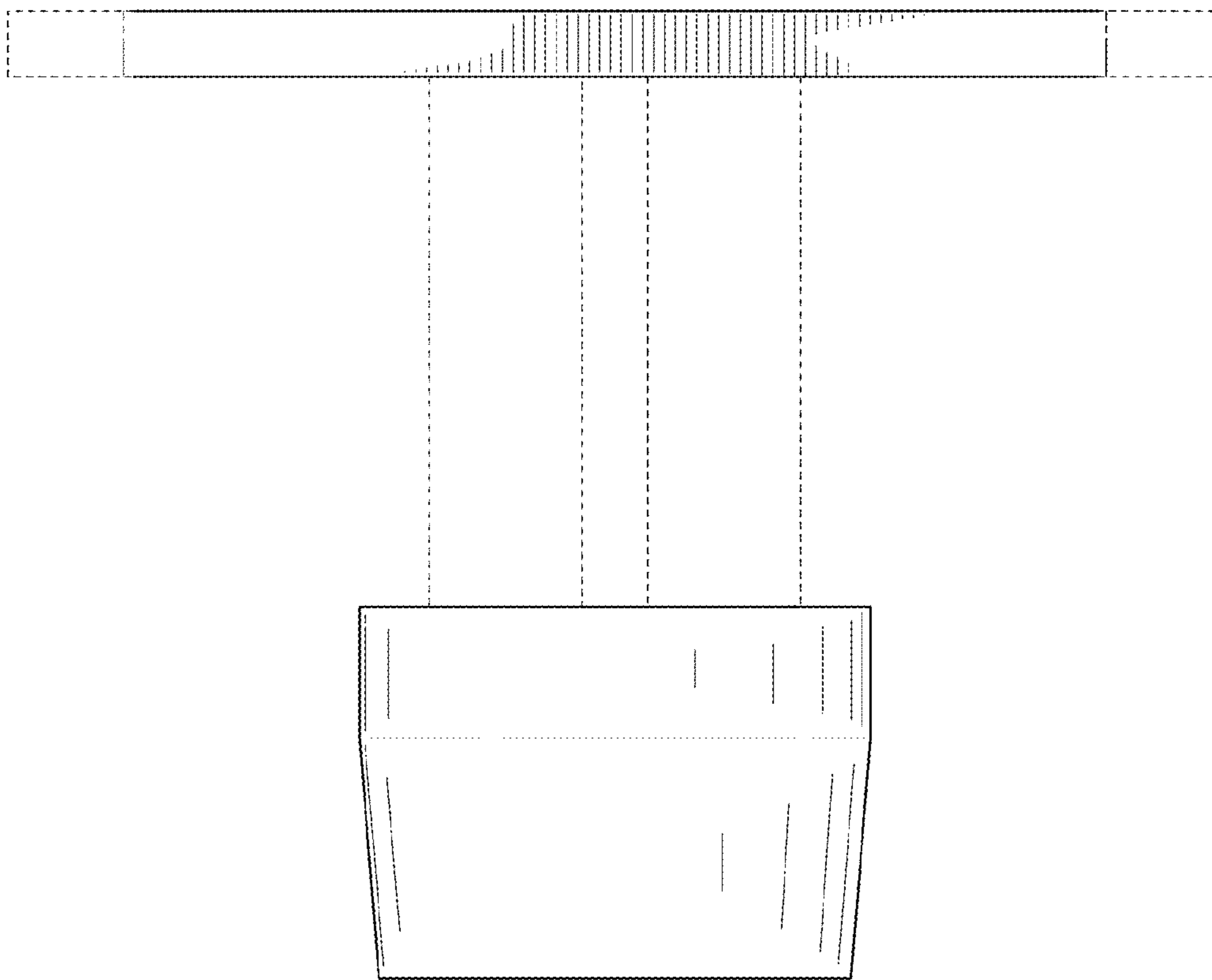
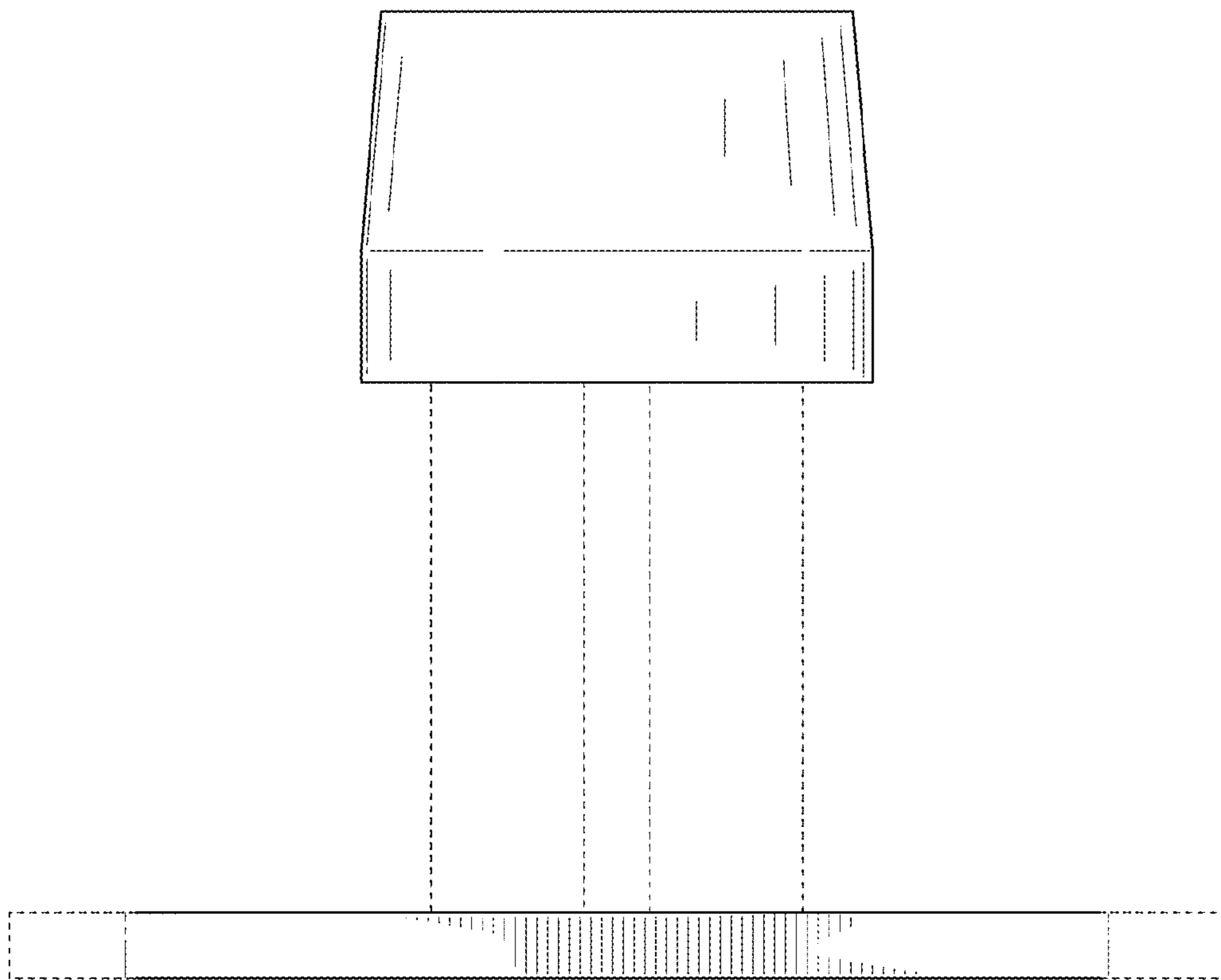


FIG. 5



**FIG. 6**



**FIG. 7**

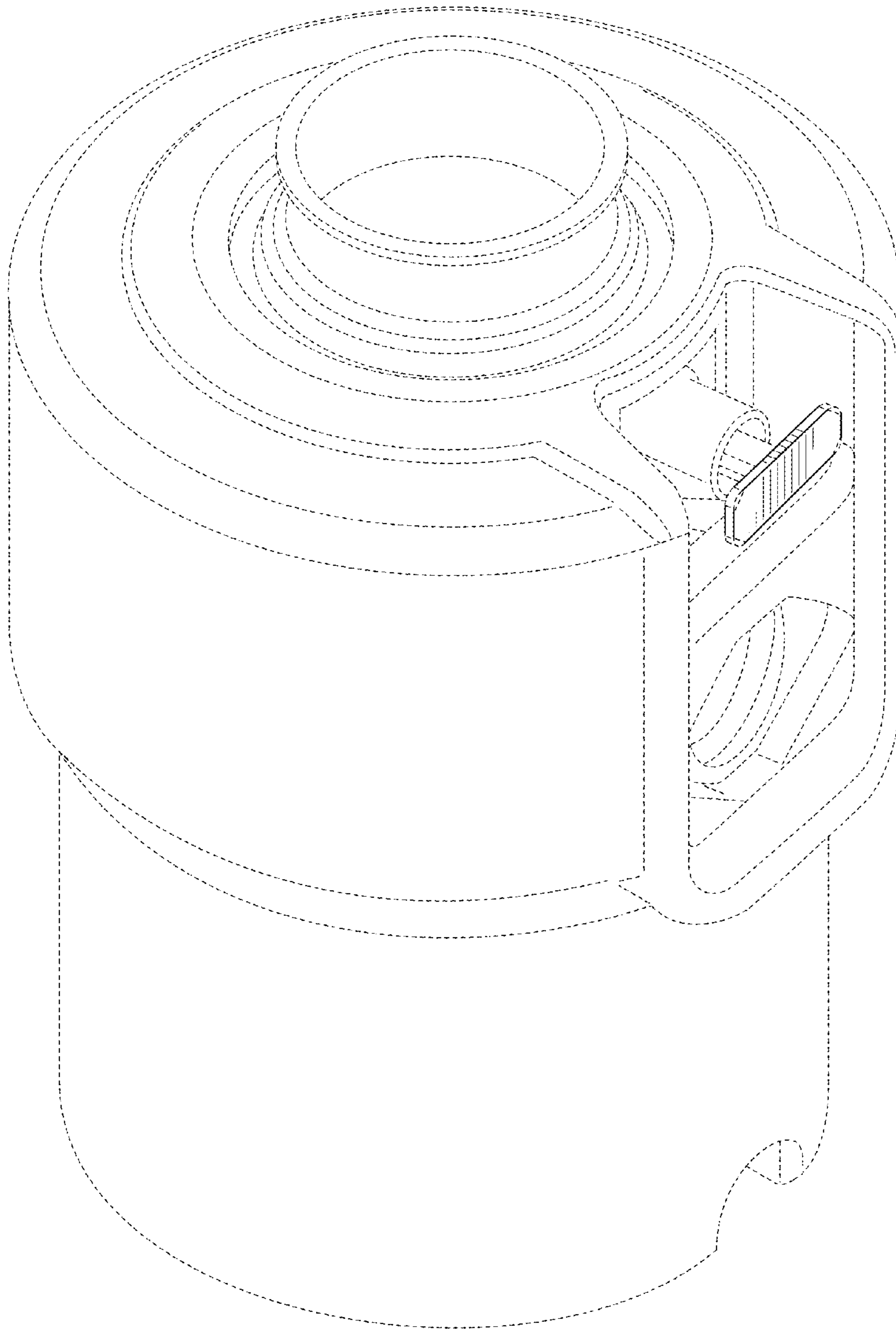


FIG. 8