



US00D757231S

(12) **United States Design Patent**
Garland

(10) **Patent No.:** **US D757,231 S**

(45) **Date of Patent:** **** May 24, 2016**

(54) **FAUCET SPOUT**

D718,837 S * 12/2014 Garland D23/238
D718,843 S * 12/2014 Garland D23/255

(71) Applicant: **Delta Faucet Company**, Indianapolis, IN (US)

* cited by examiner

(72) Inventor: **Celine Kwok Garland**, Zionsville, IN (US)

Primary Examiner — Robert Delehanty

(74) *Attorney, Agent, or Firm* — Edgar A. Zarins; Nirav D. Parikh

(73) Assignee: **DELTA FAUCET COMPANY**, Indianapolis, IN (US)

(**) Term: **15 Years**

(57) **CLAIM**

The ornamental design for a faucet spout, as shown and described.

(21) Appl. No.: **29/531,334**

(22) Filed: **Jun. 25, 2015**

(51) **LOC (10) Cl.** **23-01**

(52) **U.S. Cl.**
USPC **D23/257**

(58) **Field of Classification Search**
USPC D23/238–243, 249, 255, 257
CPC E03C 1/04; E03C 1/0401; E03C 1/0402;
E03C 1/0404

See application file for complete search history.

(56) **References Cited**

U.S. PATENT DOCUMENTS

D488,539 S * 4/2004 McKeone D23/255
D664,629 S * 7/2012 Tang D23/238

DESCRIPTION

FIG. 1 is a perspective view of a faucet spout showing my new design;

FIG. 2 is a top plan view thereof;

FIG. 3 is a first side view thereof, the opposite side being a mirror image of the side shown;

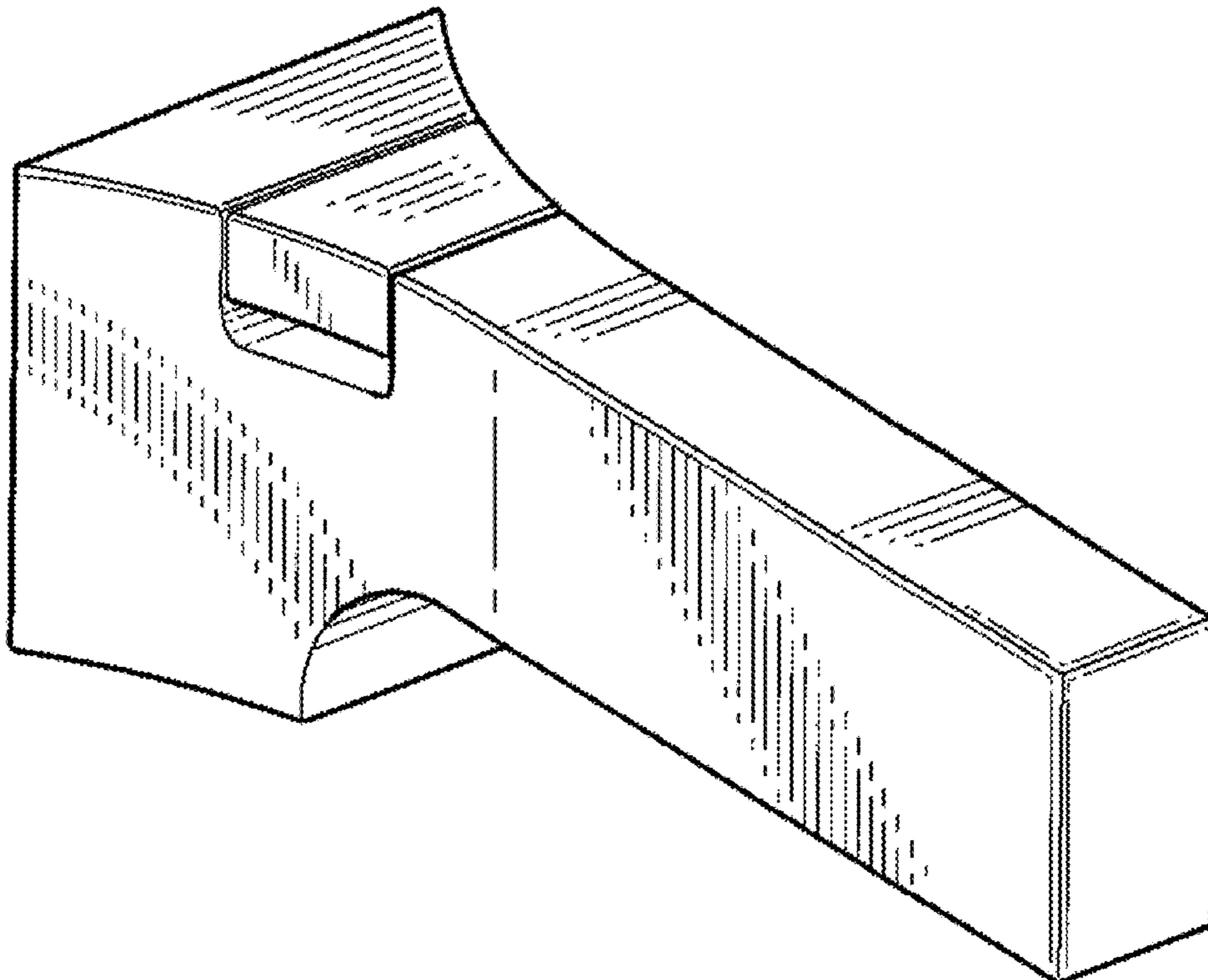
FIG. 4 is a bottom view thereof;

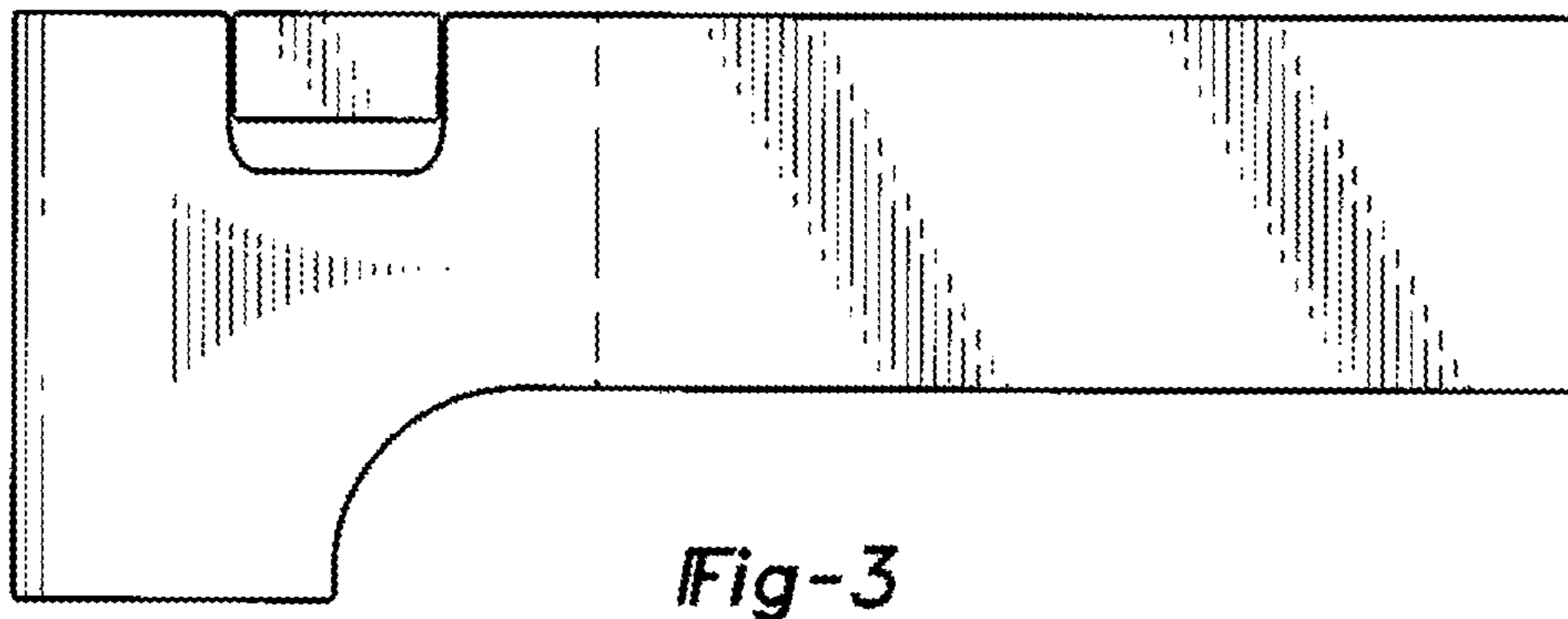
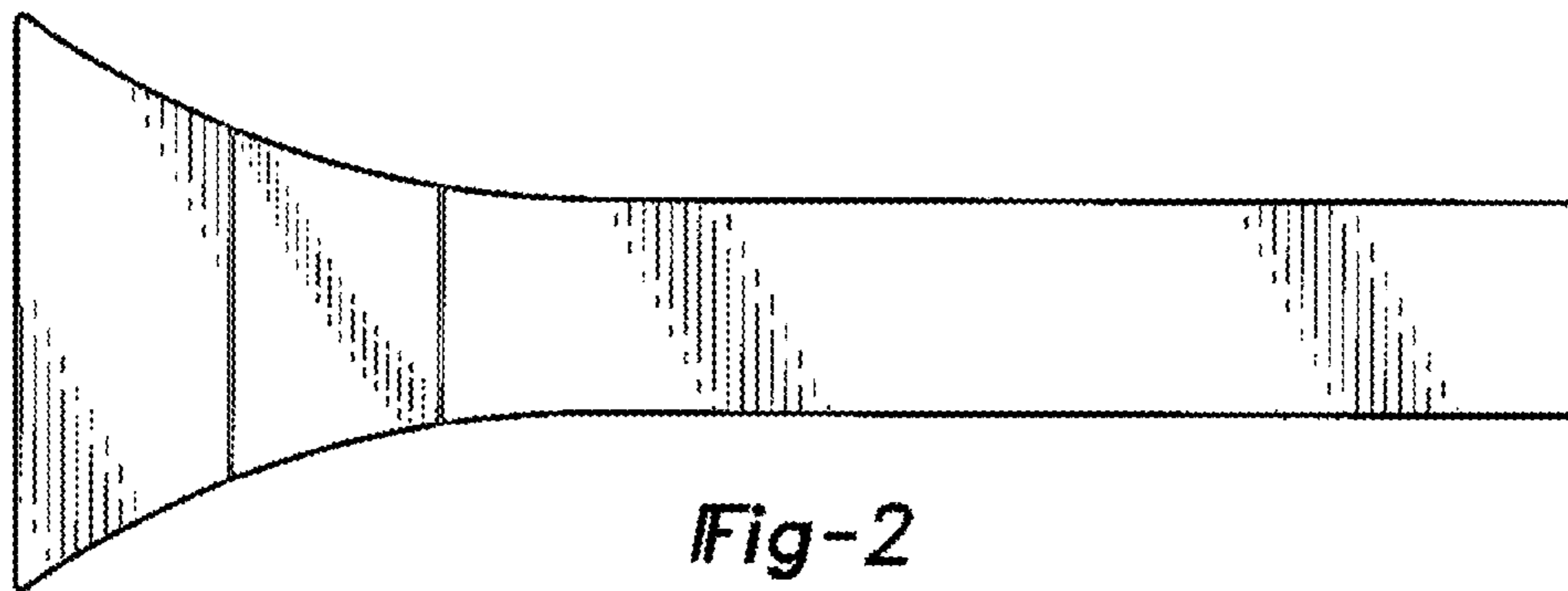
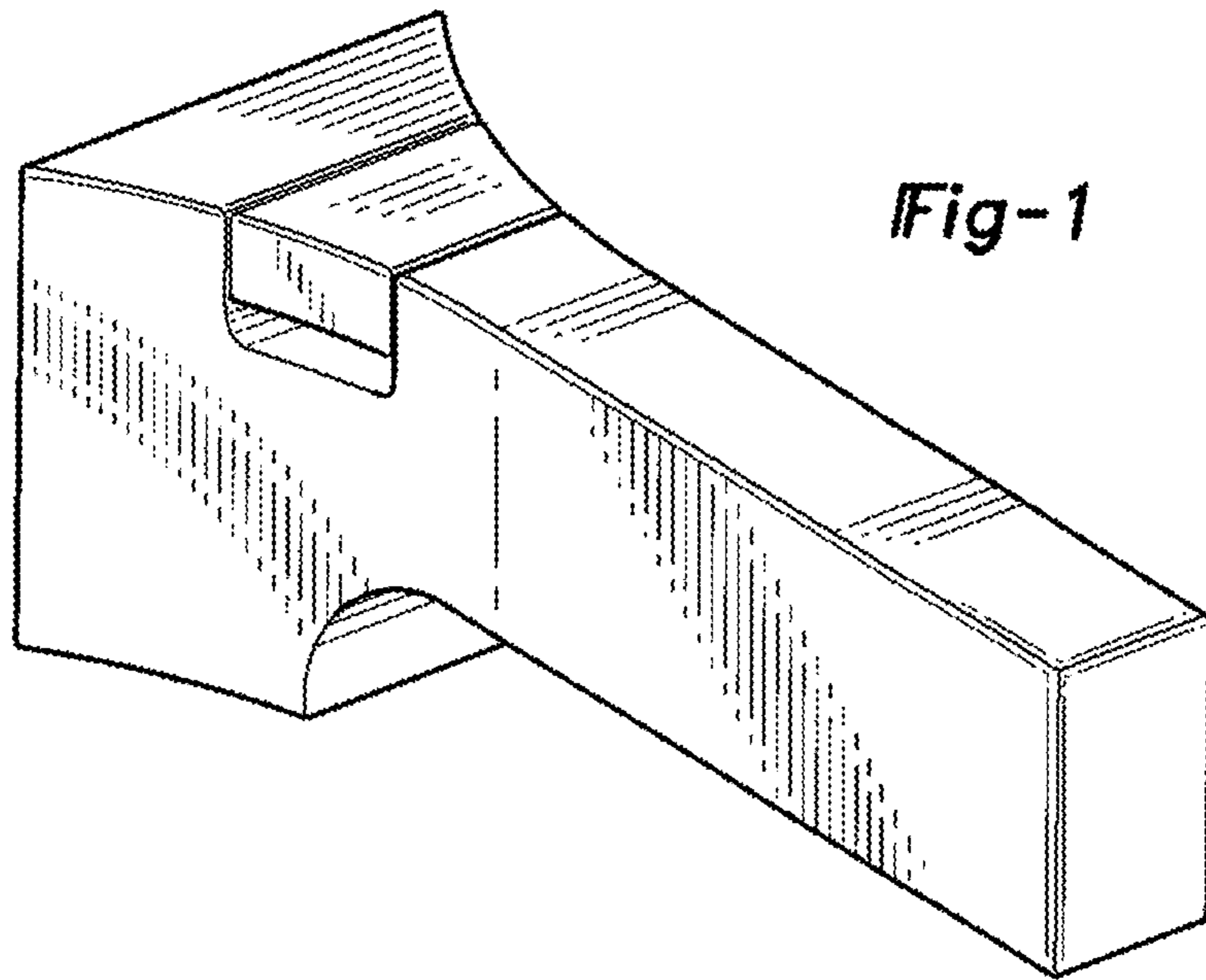
FIG. 5 is a rear view thereof; and,

FIG. 6 is a front end view thereof.

The broken line showing plumbing openings is included for the purpose of illustrating a portion of the faucet spout that forms no part of the claimed design.

1 Claim, 2 Drawing Sheets





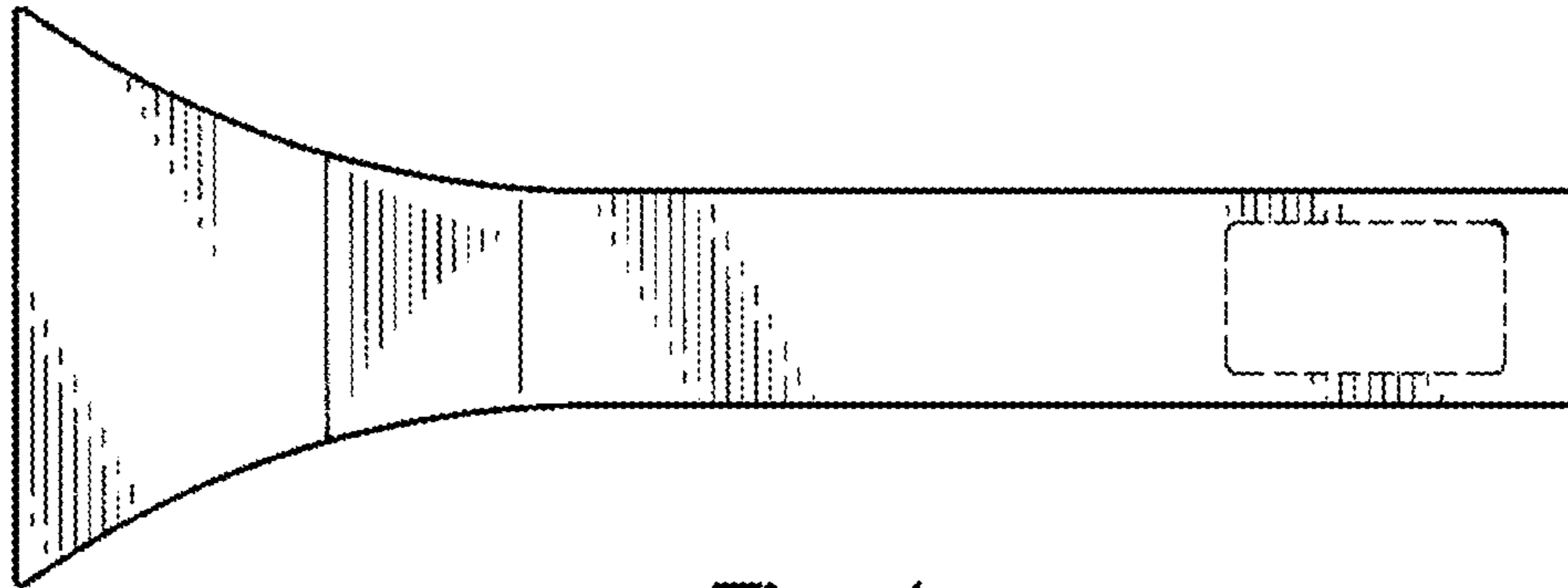


Fig-4

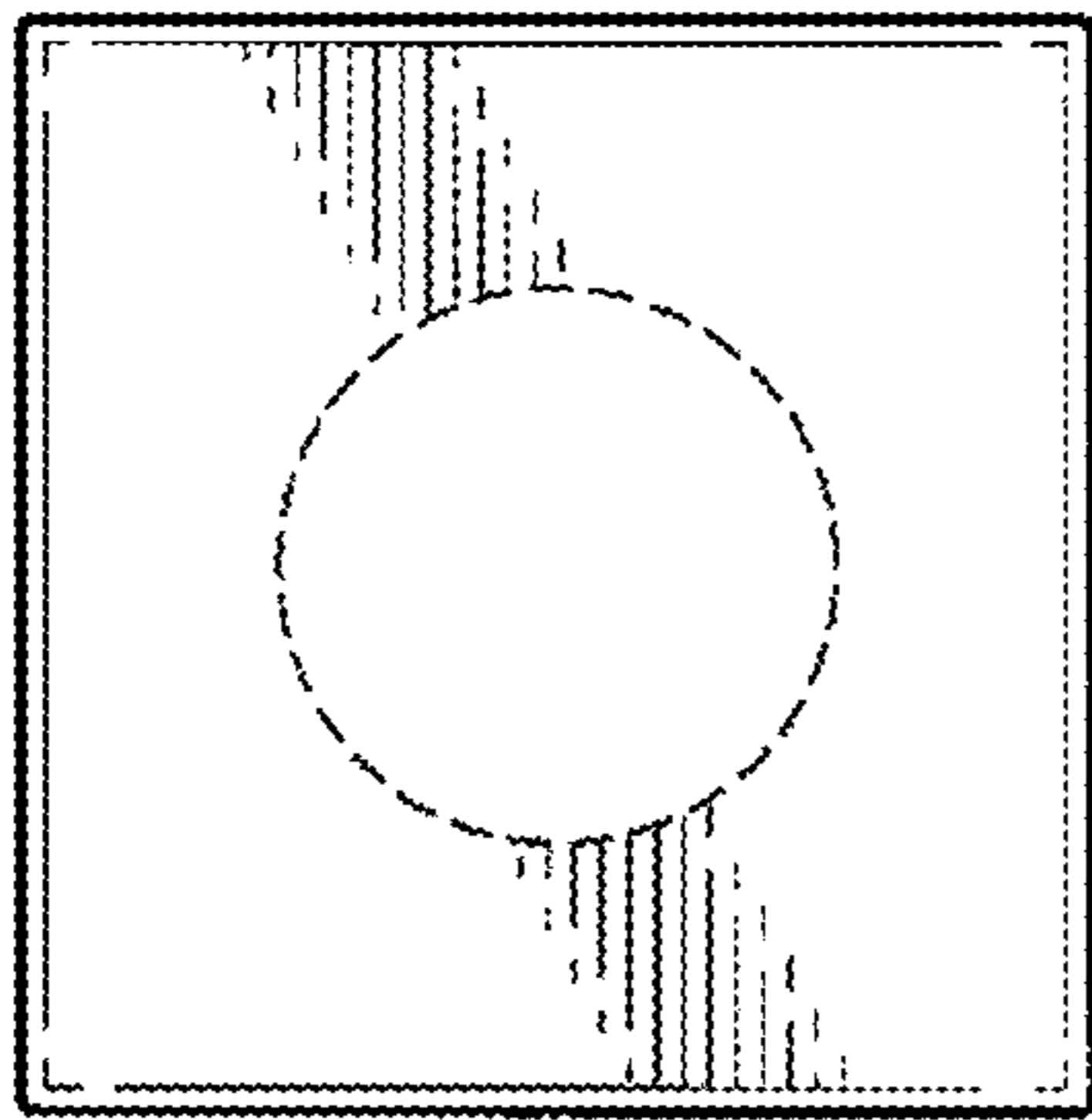


Fig-5

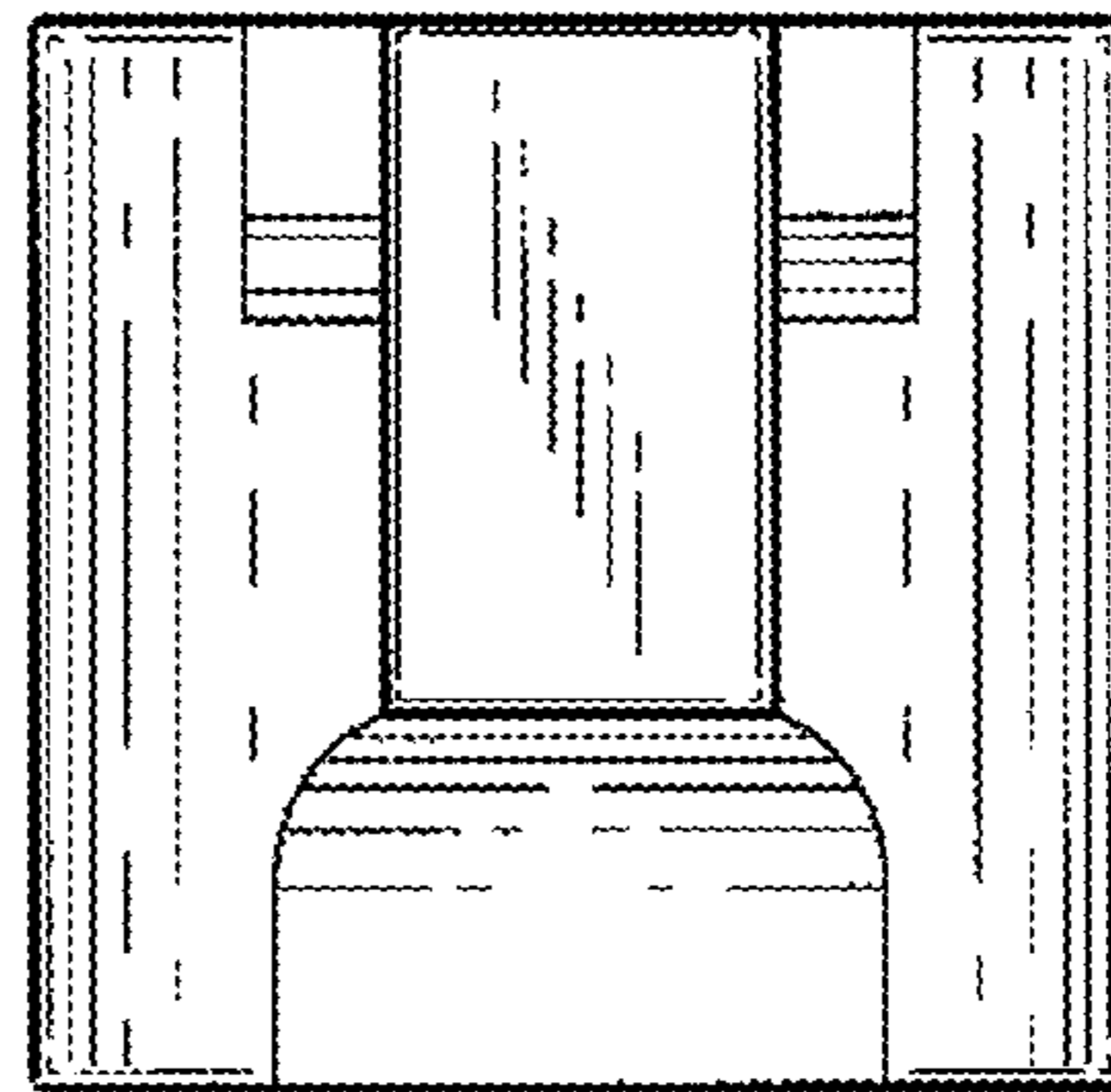


Fig-6