



US00D757228S

(12) **United States Design Patent**
Abel et al.

(10) **Patent No.:** **US D757,228 S**

(45) **Date of Patent:** **** May 24, 2016**

(54) **FAUCET**

(71) Applicant: **Airbus Operations GmbH**, Hamburg (DE)

(72) Inventors: **Christian Abel**, Hamburg (DE);
Stephan Sontag, Revenahe (DE)

(73) Assignee: **Airbus Operations GmbH**, Hamburg (DE)

(**) Term: **14 Years**

(21) Appl. No.: **29/516,694**

(22) Filed: **Feb. 5, 2015**

(30) **Foreign Application Priority Data**

Aug. 29, 2014 (EM) 002 527 424-0001

(51) **LOC (10) Cl.** **23-01**

(52) **U.S. Cl.**
USPC **D23/255**

(58) **Field of Classification Search**
USPC D23/238-242, 255, 257, 249
CPC E03C 1/04; E03C 1/0401; E03C 1/0402;
E03C 1/0404

See application file for complete search history.

(56) **References Cited**

U.S. PATENT DOCUMENTS

D301,517 S *	6/1989	Anawalt	D23/255
D318,320 S *	7/1991	Zerlia	D23/241
D596,717 S *	7/2009	Jones	D23/255
D663,384 S *	7/2012	Su	D23/255

* cited by examiner

Primary Examiner — Robert Delehanty

(74) *Attorney, Agent, or Firm* — Greer, Burns & Crain, Ltd.

(57) **CLAIM**

The ornamental design for a faucet, as shown and described.

DESCRIPTION

FIG. 1 is a front perspective view of a faucet showing our new design;

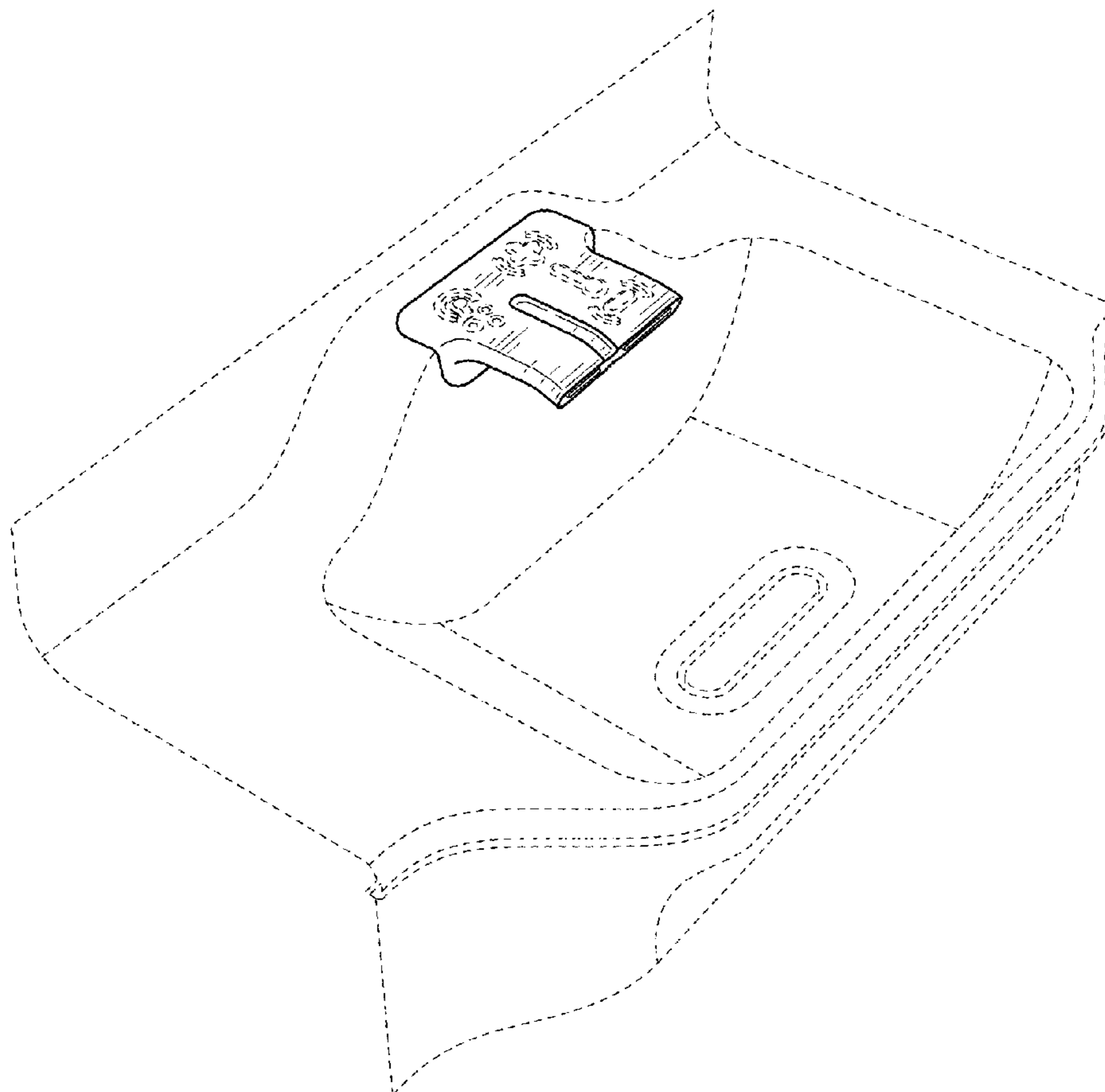
FIG. 2 is a front elevational view thereof;

FIG. 3 is a side elevational view thereof, the opposite side is a mirror image thereof; and,

FIG. 4 is a top plan view thereof.

The broken lines in FIGS. 1 and 4 represent portions of the faucet that form no part of the claimed design. The broken lines in FIGS. 1-4 show the environment where the claimed design resides and form no part thereof

1 Claim, 3 Drawing Sheets



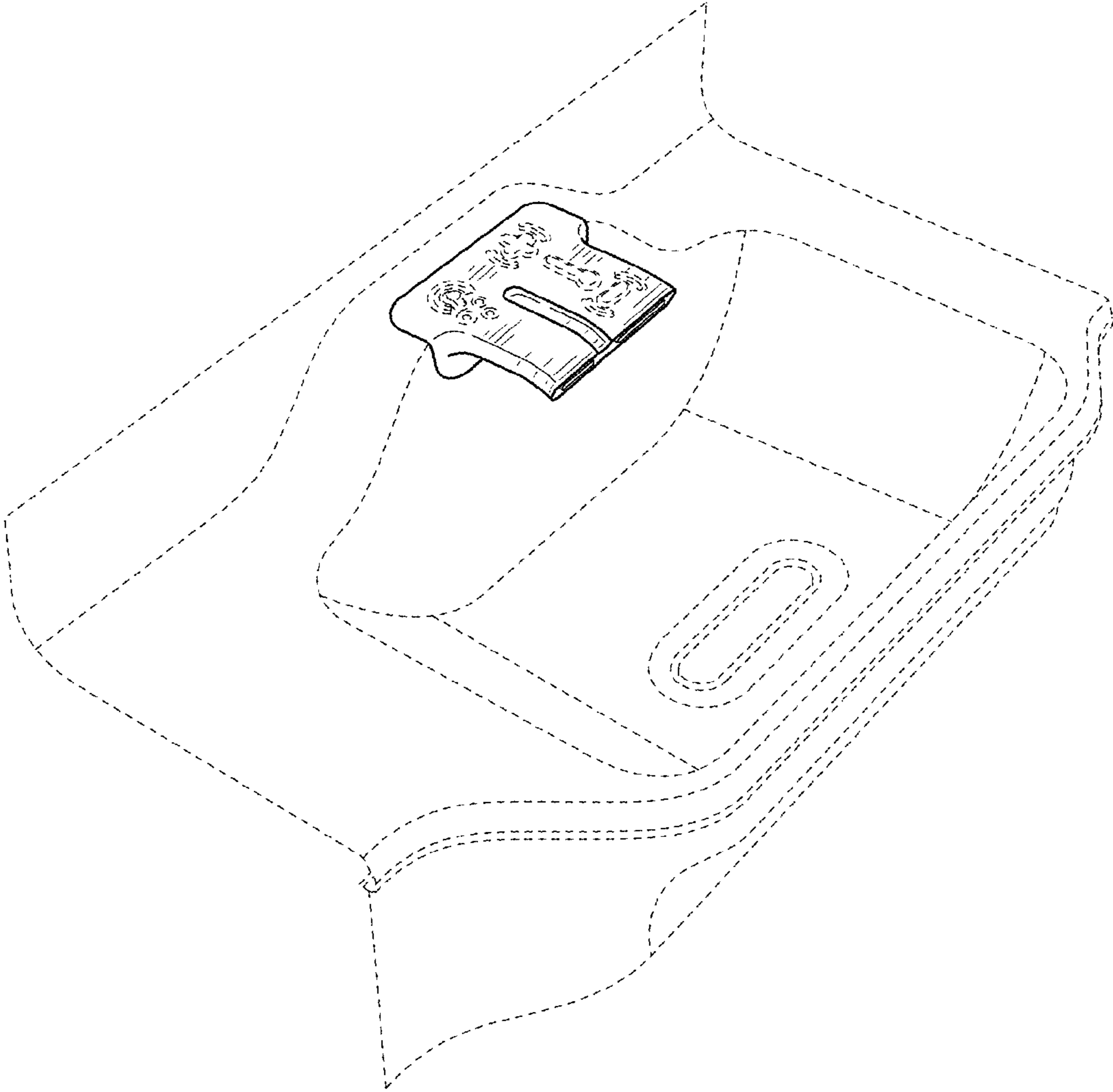


FIG. 1

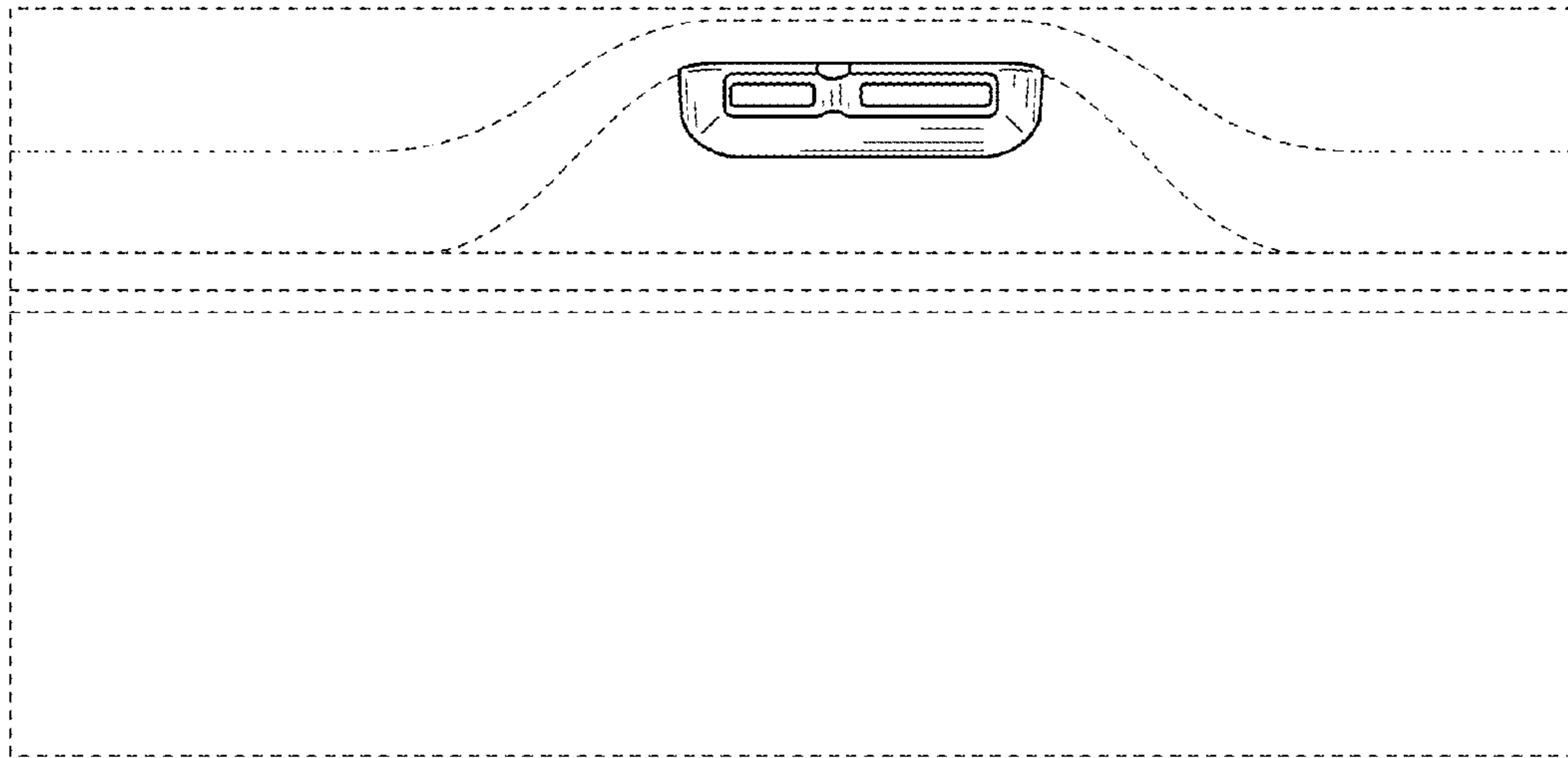


FIG. 2

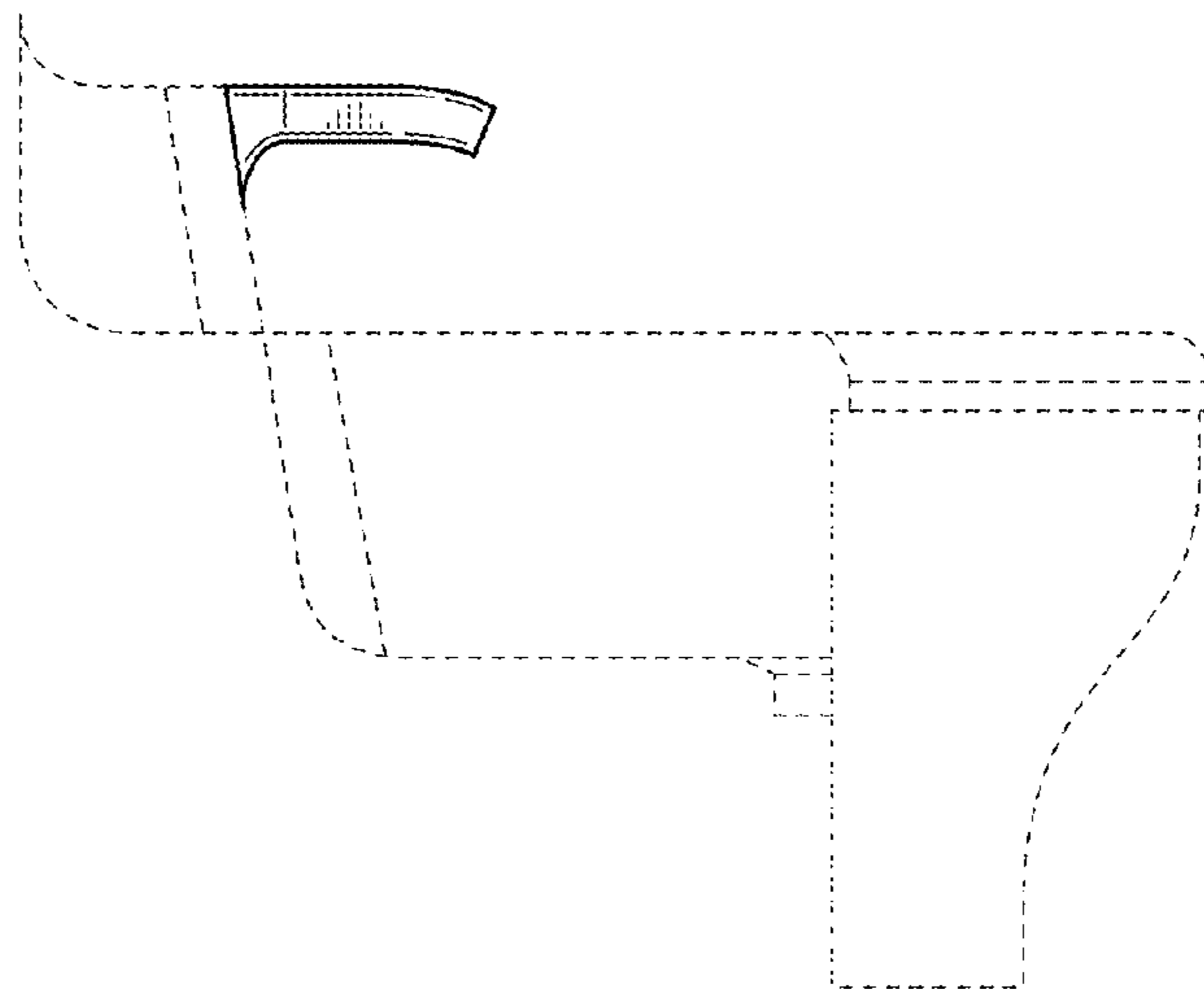


FIG. 3

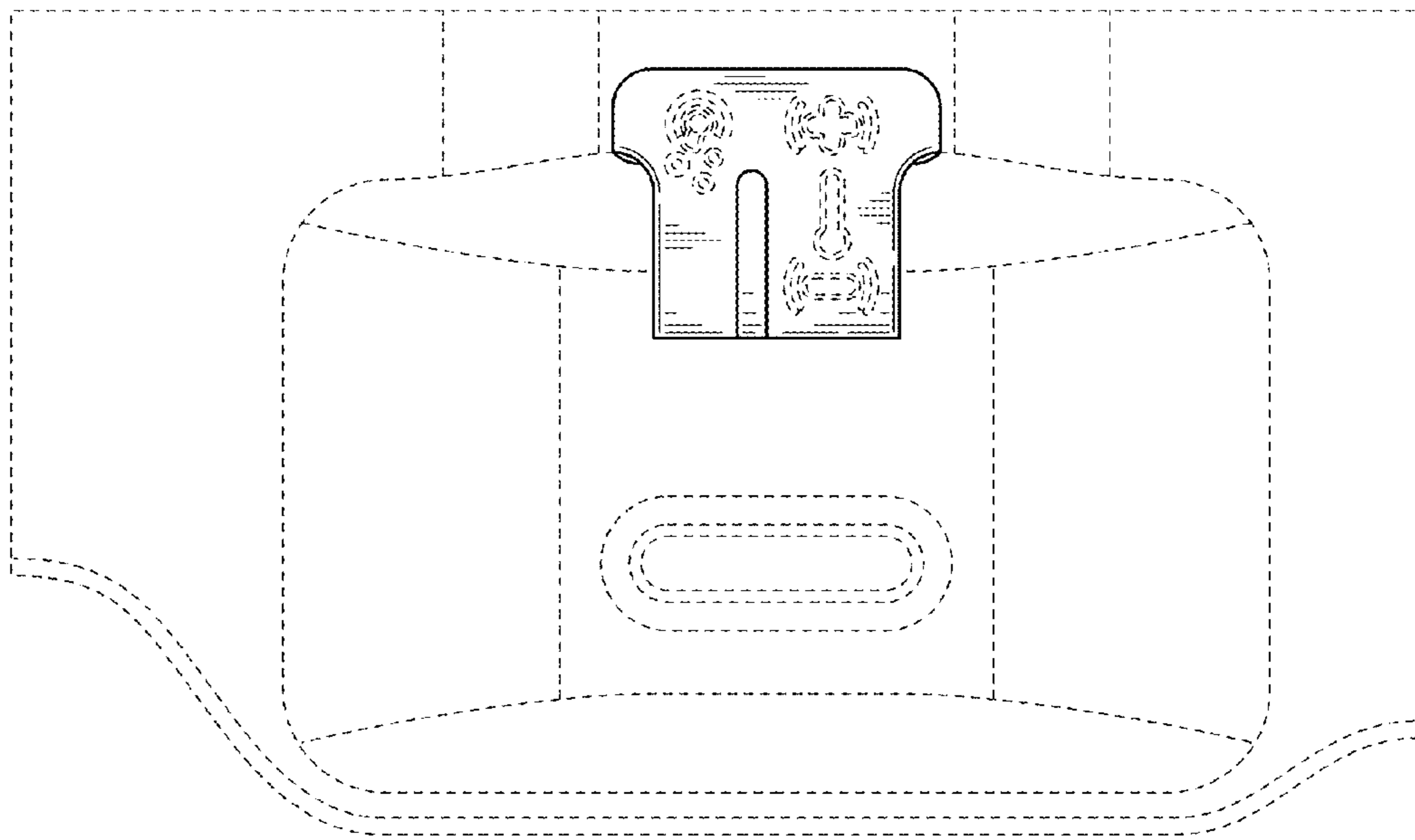


FIG. 4