



US00D757227S

(12) **United States Design Patent**
Choi et al.

(10) **Patent No.:** **US D757,227 S**

(45) **Date of Patent:** **** May 24, 2016**

(54) **SHOWER VALVE**

(71) Applicant: **BRASSCRAFT MANUFACTURING COMPANY**, Novi, MI (US)

(72) Inventors: **Jessica Wonbin Choi**, Rochester, MI (US); **Nicole Collins**, Livonia, MI (US); **Alicia Krause**, Shelby Township, MI (US); **Lauren Mamelka**, Lathrup Village, MI (US)

(73) Assignee: **BrassCraft Manufacturing Company**, Novi, MI (US)

(**) Term: **14 Years**

(21) Appl. No.: **29/515,963**

(22) Filed: **Jan. 28, 2015**

(51) **LOC (10) Cl.** **23-01**

(52) **U.S. Cl.**
USPC **D23/254**

(58) **Field of Classification Search**
USPC D23/238–243, 249–250, 252, 254
CPC E03C 1/04; E03C 1/0401; E03C 1/0402;
E03C 1/0404; F16K 31/602; F16K 31/605;
F16K 31/607

See application file for complete search history.

(56) **References Cited**

U.S. PATENT DOCUMENTS

D180,254 S * 5/1957 Tiller D23/252
D190,897 S * 7/1961 Chapman D23/252

D237,275 S * 10/1975 Landell D23/252
D285,245 S * 8/1986 Ogilvie D23/254
D355,021 S * 1/1995 Schott D23/254
D425,604 S * 5/2000 Fleischmann D23/254
D458,348 S * 6/2002 Mullenmeister D23/254

* cited by examiner

Primary Examiner — Robert Delehanty

(74) *Attorney, Agent, or Firm* — Kirk W. Rudolph

(57) **CLAIM**

The ornamental design for a shower valve, as shown and described.

DESCRIPTION

FIG. 1 is a perspective view of a shower valve showing our design;

FIG. 2 is a front view thereof;

FIG. 3 is a rear view thereof;

FIG. 4 is a right side view thereof;

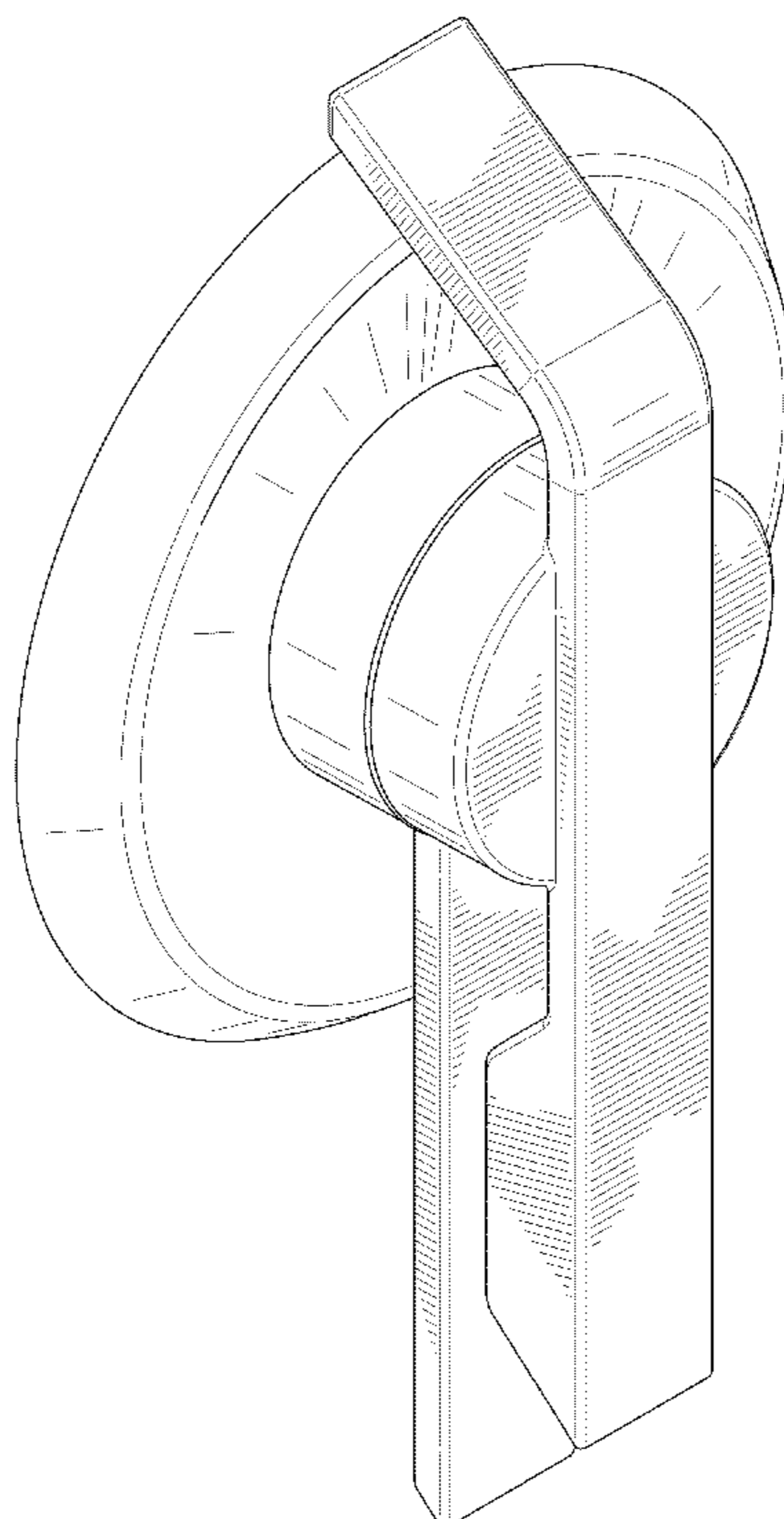
FIG. 5 is a left side view thereof;

FIG. 6 is a top view thereof; and,

FIG. 7 is a bottom view thereof.

The broken lines in the drawings represent unclaimed portions of the shower valve and form no portion thereof.

1 Claim, 6 Drawing Sheets



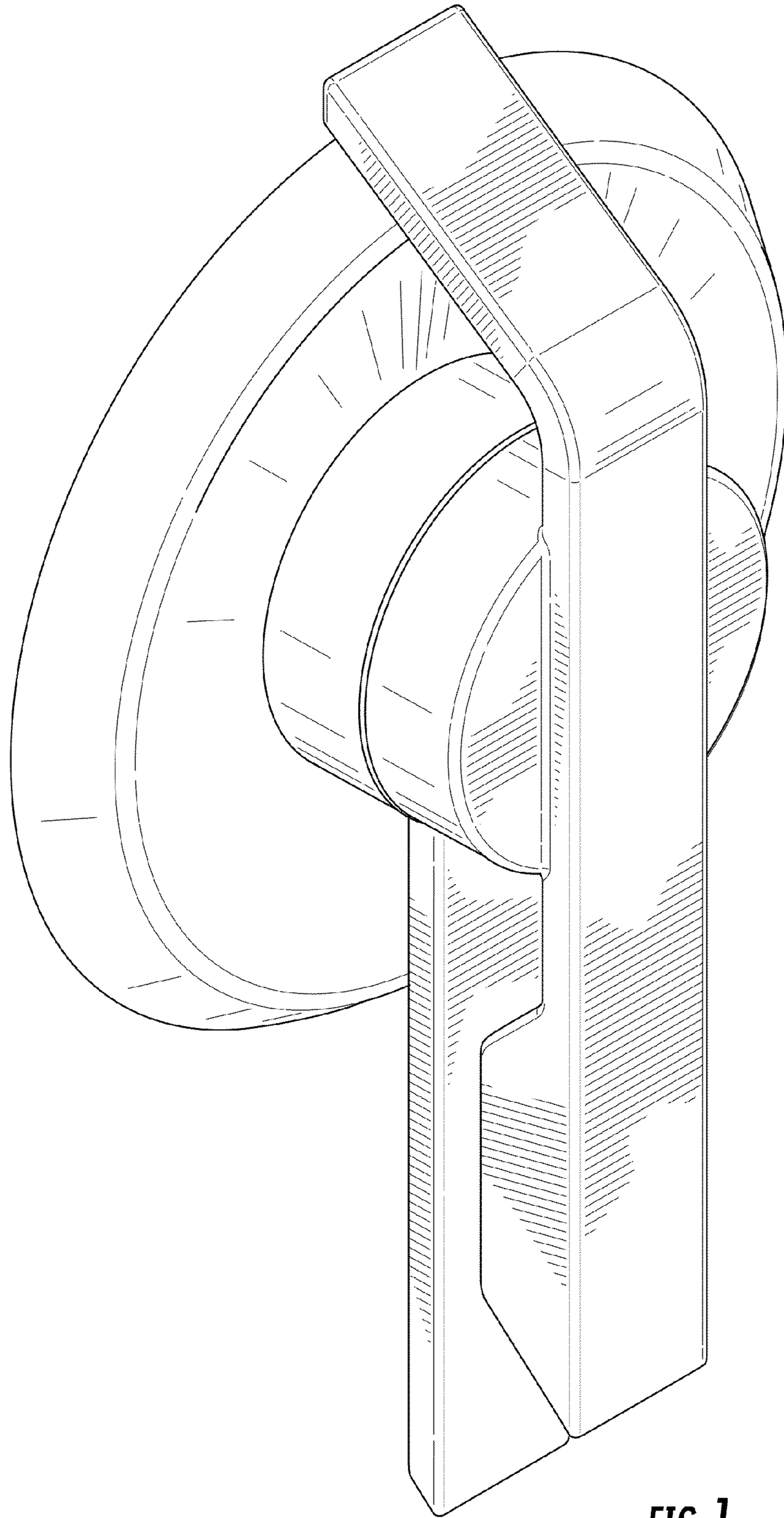


FIG. 1

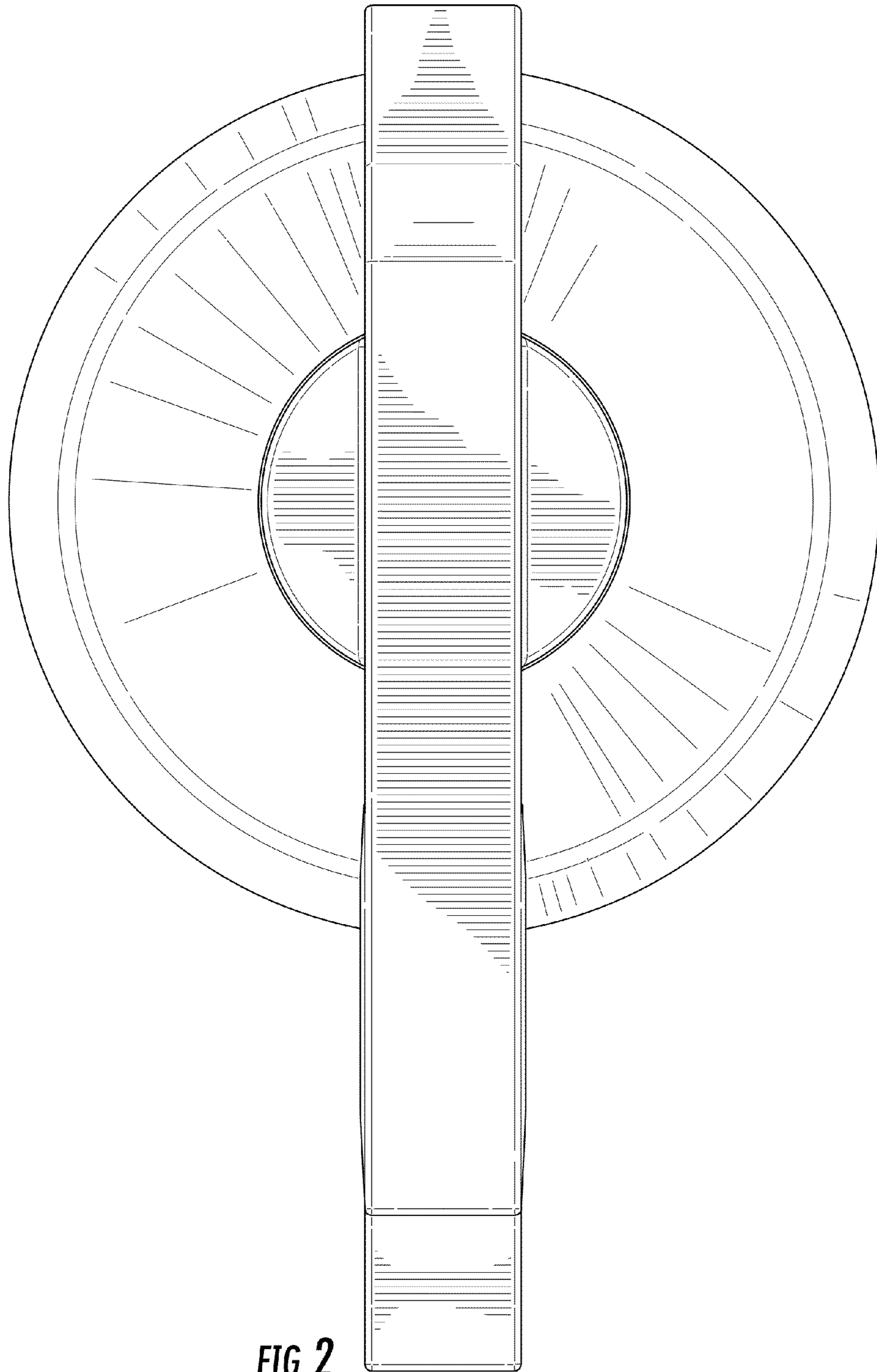


FIG. 2

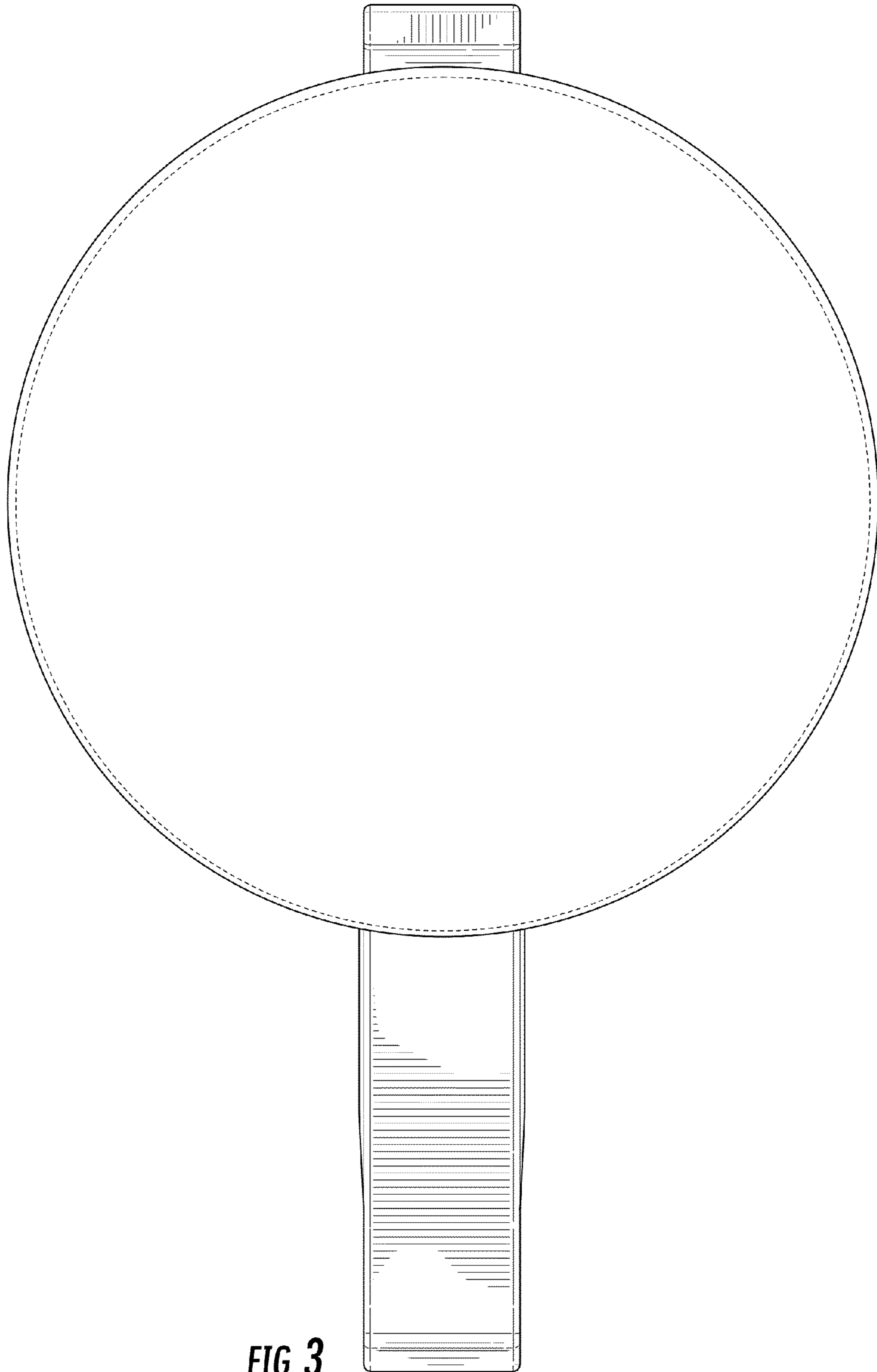


FIG. 3

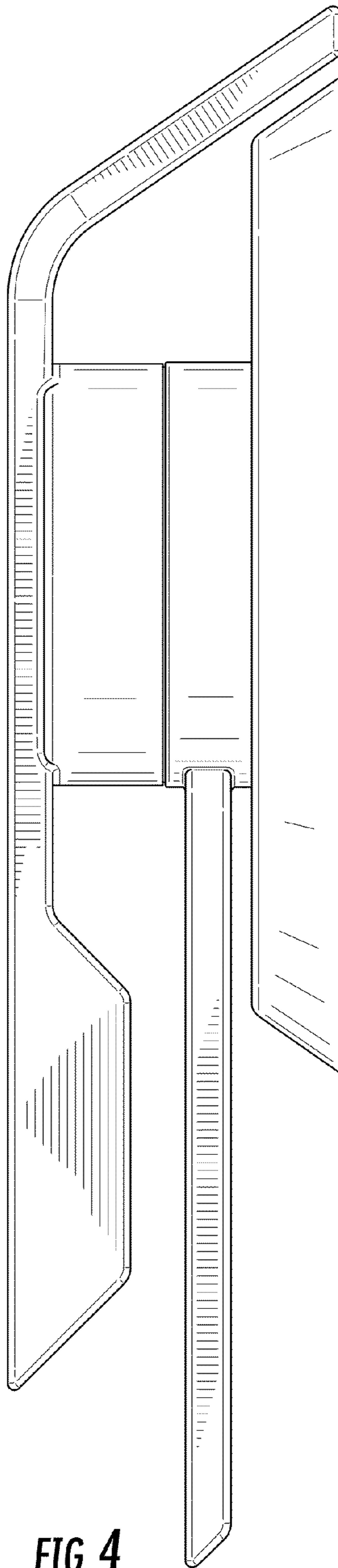


FIG. 4

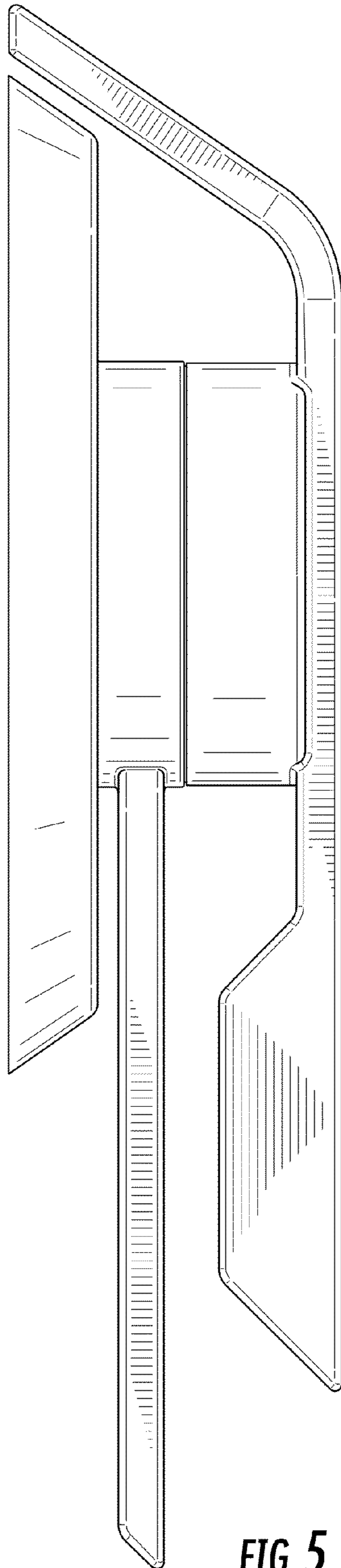


FIG. 5

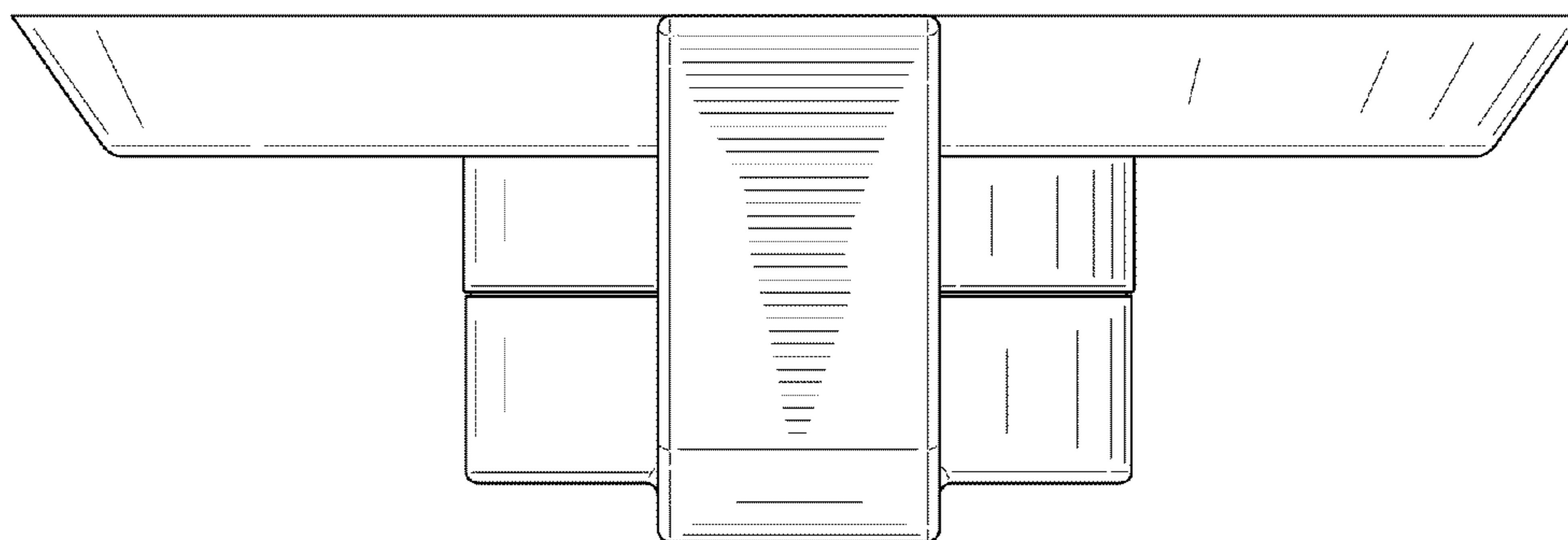


FIG. 6

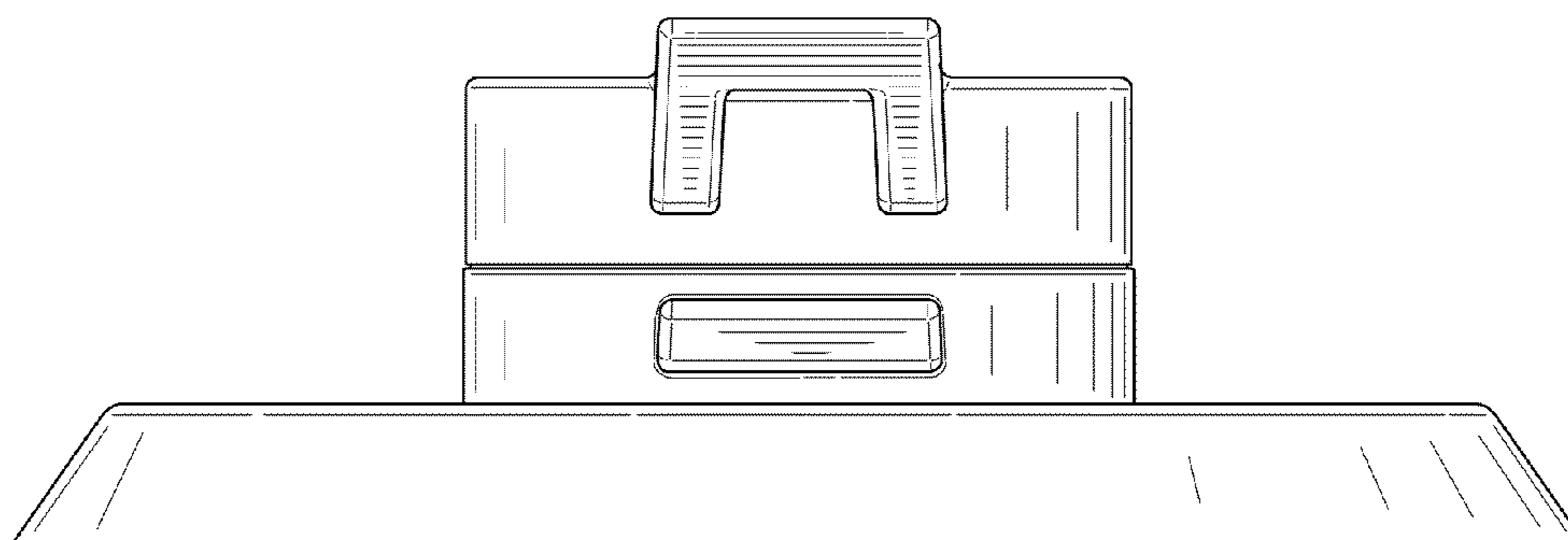


FIG. 7