



US00D757226S

(12) **United States Design Patent**  
**Norton**

(10) **Patent No.:** **US D757,226 S**

(45) **Date of Patent:** **\*\* May 24, 2016**

(54) **SHOWER VALVE**

D627,444 S \* 11/2010 Yokoyama ..... D23/254  
D665,884 S \* 8/2012 Flowers ..... D23/254  
D740,396 S \* 10/2015 Bahler ..... D23/252

(71) Applicant: **BRASSCRAFT MANUFACTURING COMPANY**, Novi, MI (US)

\* cited by examiner

(72) Inventor: **Brie A. Norton**, Commerce Township, MI (US)

*Primary Examiner* — Robert Delehanty

(73) Assignee: **BrassCraft Manufacturing Company**, Novi, MI (US)

(74) *Attorney, Agent, or Firm* — Kirk W. Rudolph

(\*\*) Term: **14 Years**

(57) **CLAIM**

(21) Appl. No.: **29/515,920**

The ornamental design for a shower valve, as shown and described.

(22) Filed: **Jan. 28, 2015**

(51) **LOC (10) Cl.** ..... **23-01**

(52) **U.S. Cl.**  
USPC ..... **D23/254**

**DESCRIPTION**

(58) **Field of Classification Search**  
USPC ..... D23/238–243, 249–250, 252, 254  
CPC ..... E03C 1/04; E03C 1/0401; E03C 1/0402;  
E03C 1/0404; F16K 31/602; F16K 31/605;  
F16K 31/607  
See application file for complete search history.

FIG. 1 is a perspective view of a shower valve showing our design;  
FIG. 2 is a front view thereof;  
FIG. 3 is a rear view thereof;  
FIG. 4 is a left side view thereof;  
FIG. 5 is a right side view thereof;  
FIG. 6 is a top view thereof; and,  
FIG. 7 is a bottom view thereof.

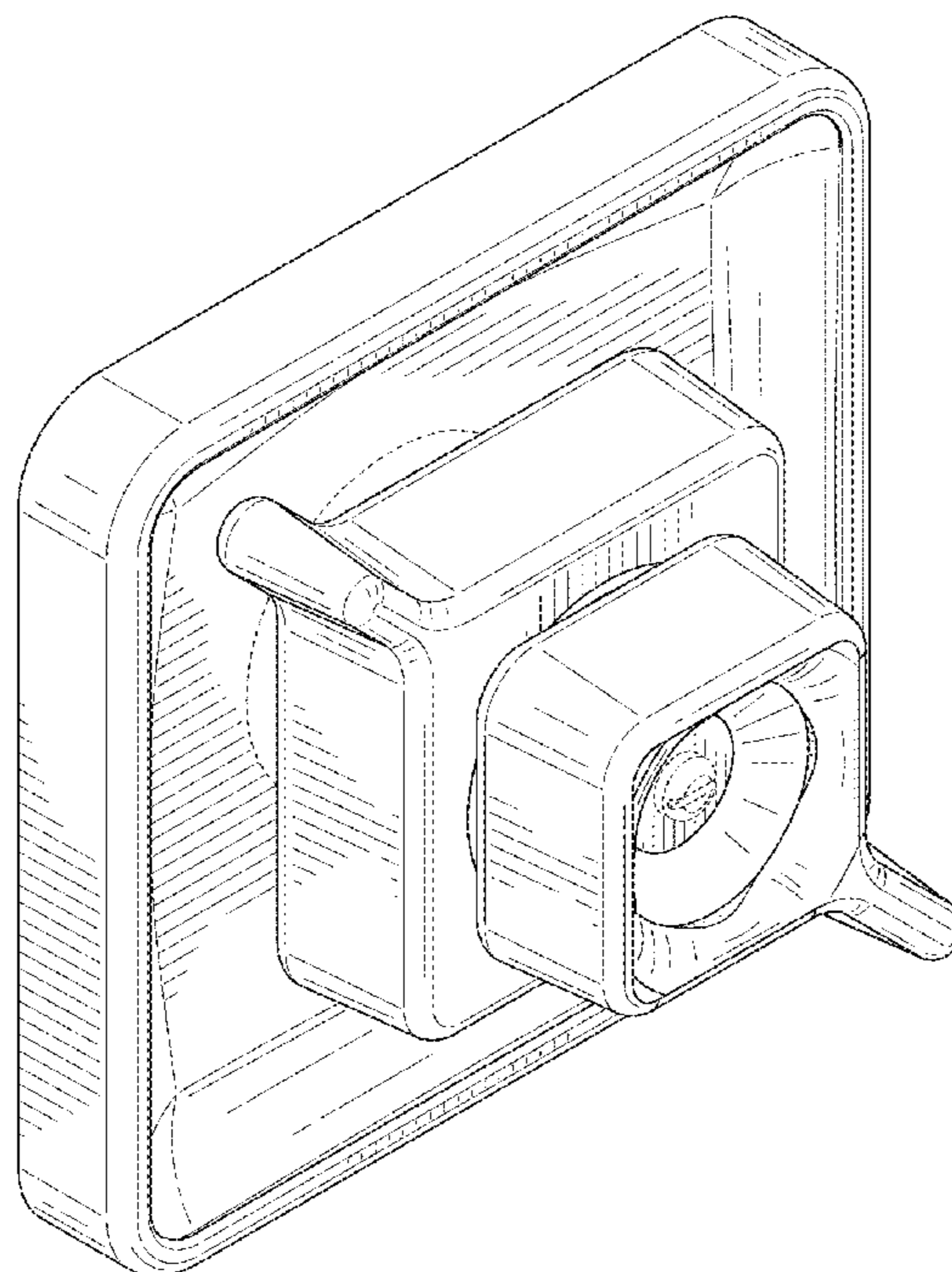
(56) **References Cited**

The broken lines in the drawings represent unclaimed portions of the shower valve and form no portion thereof.

**U.S. PATENT DOCUMENTS**

D540,919 S \* 4/2007 Soriano ..... D23/249  
D620,563 S \* 7/2010 Hanna ..... D23/254

**1 Claim, 6 Drawing Sheets**



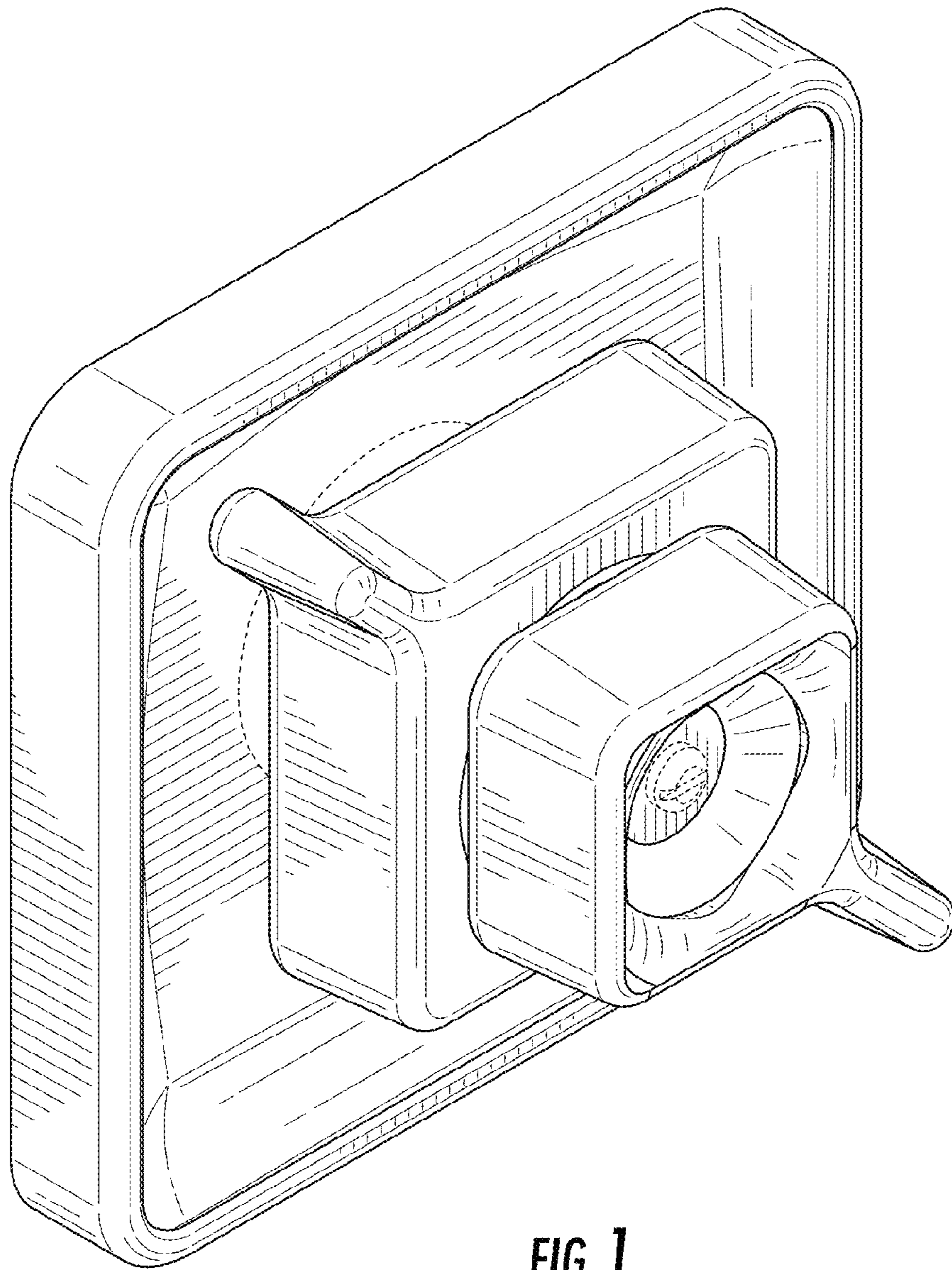


FIG. 1

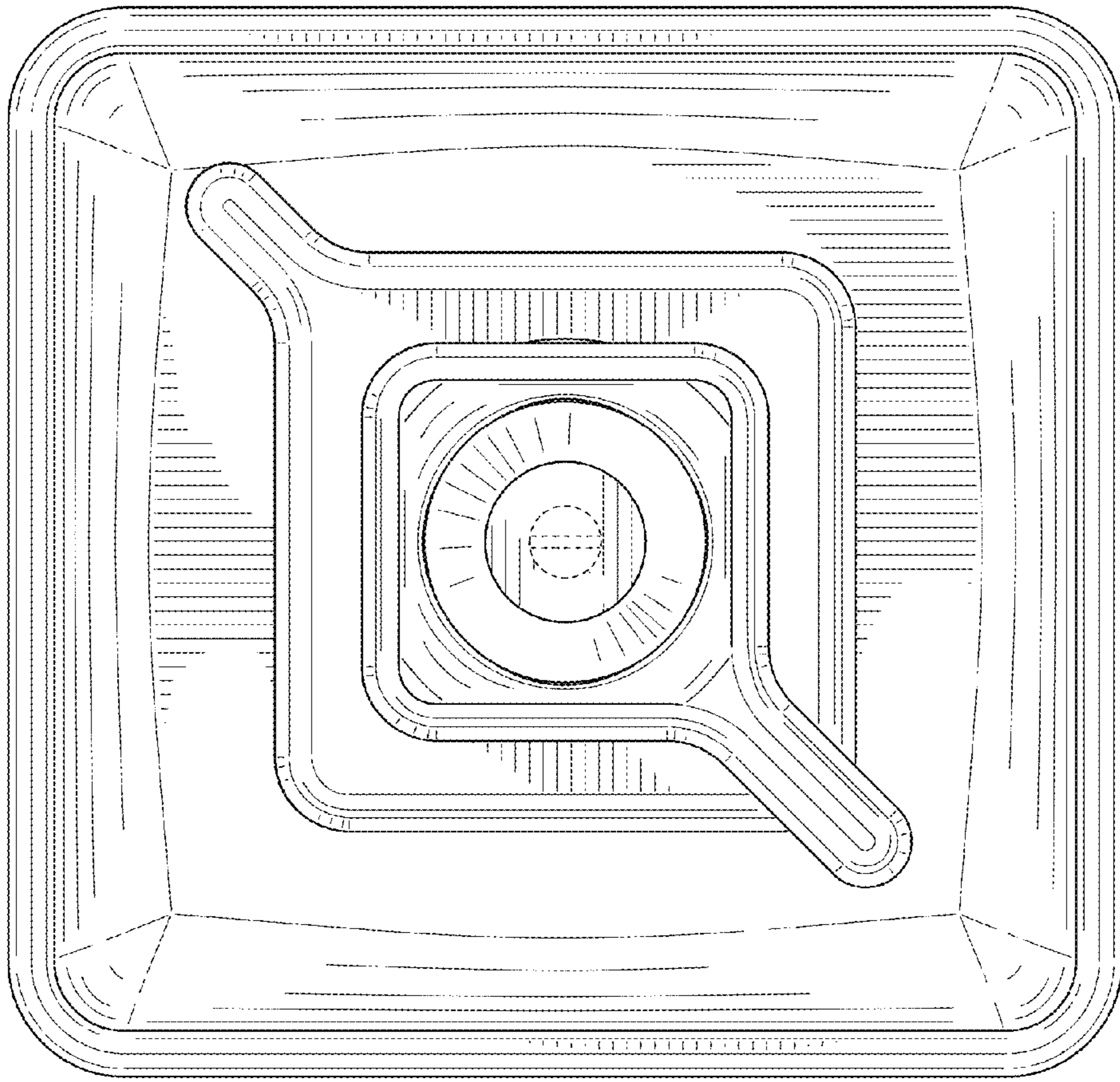
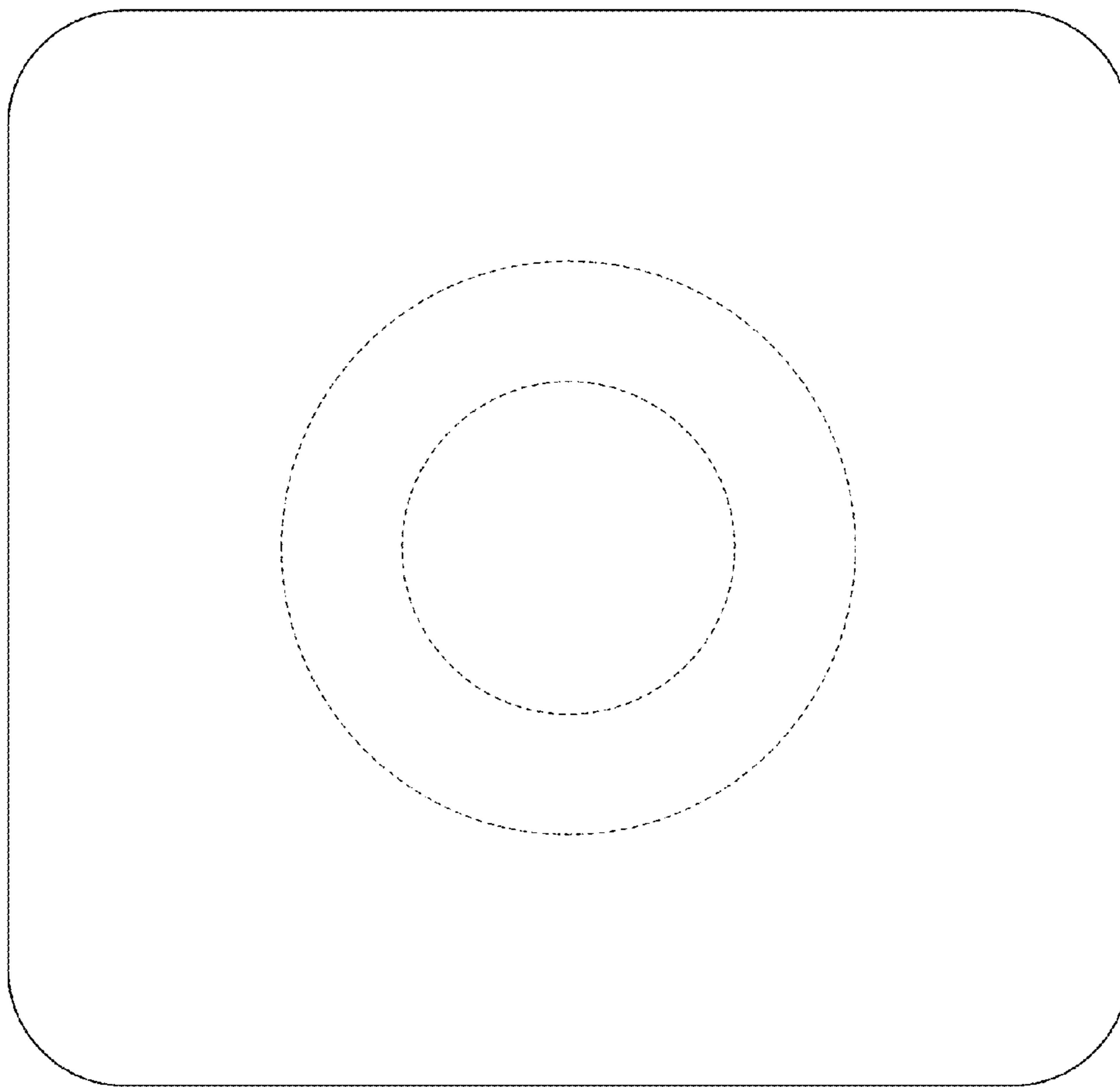
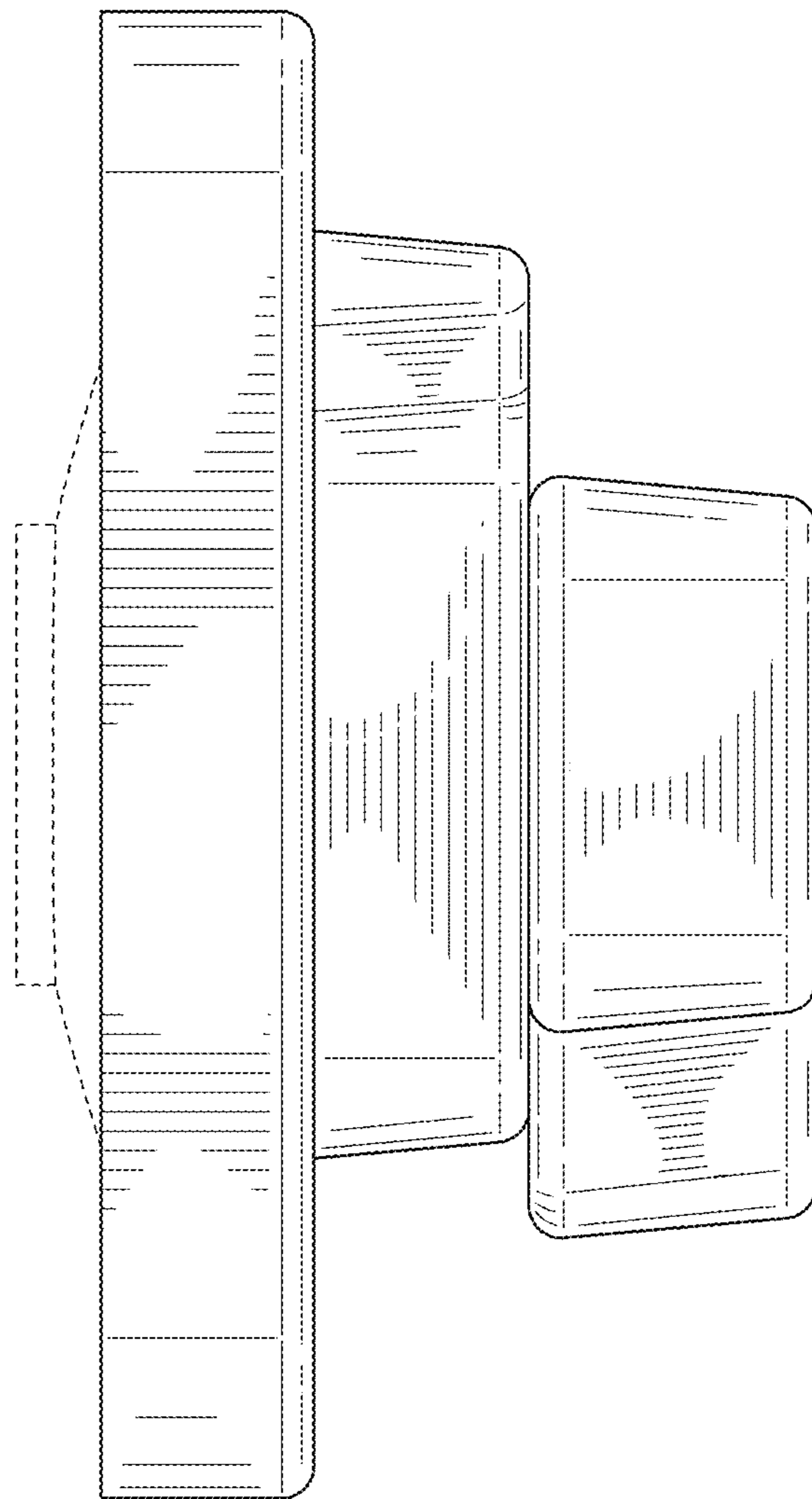


FIG. 2



**FIG. 3**



**FIG. 4**

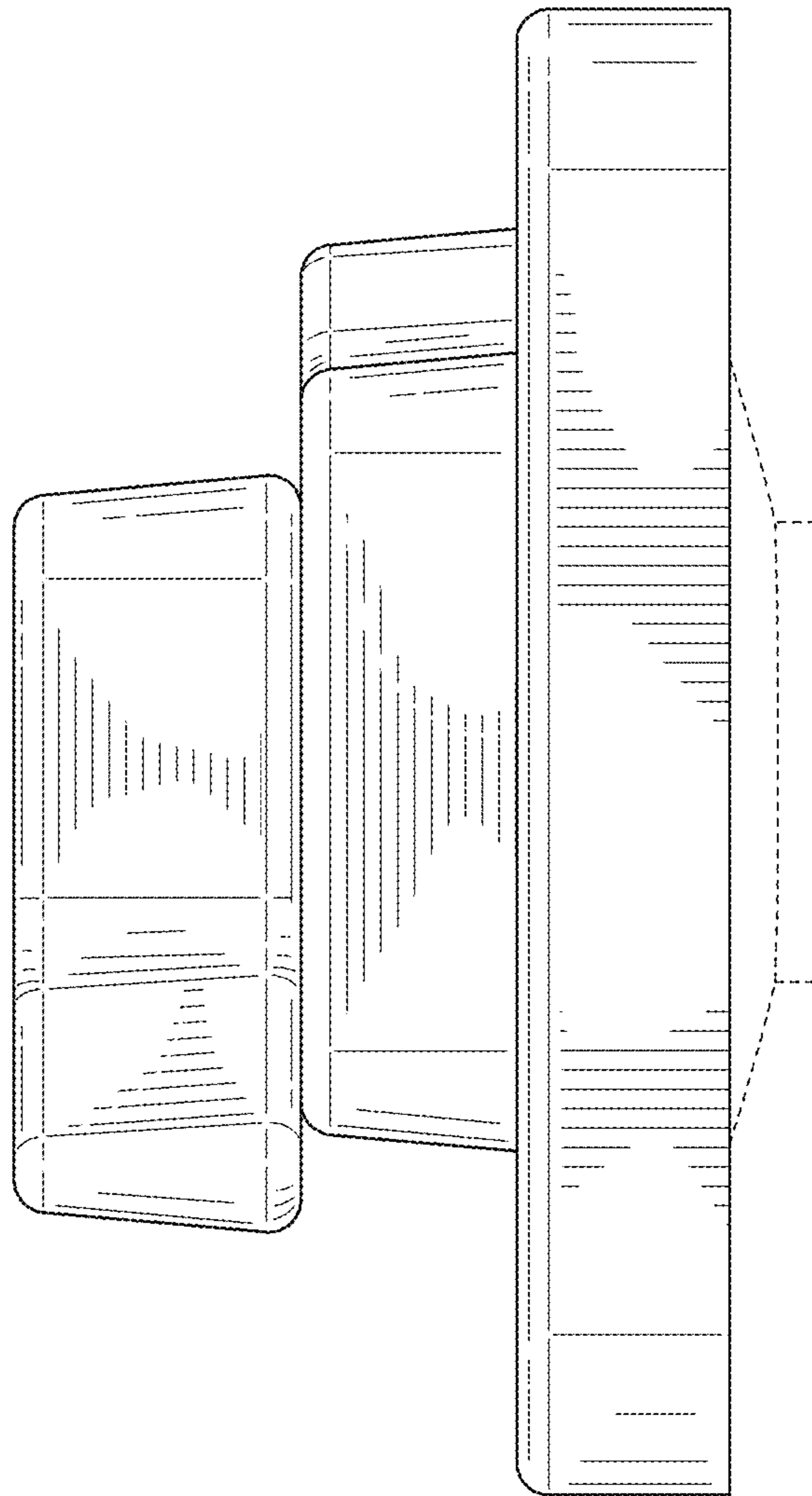
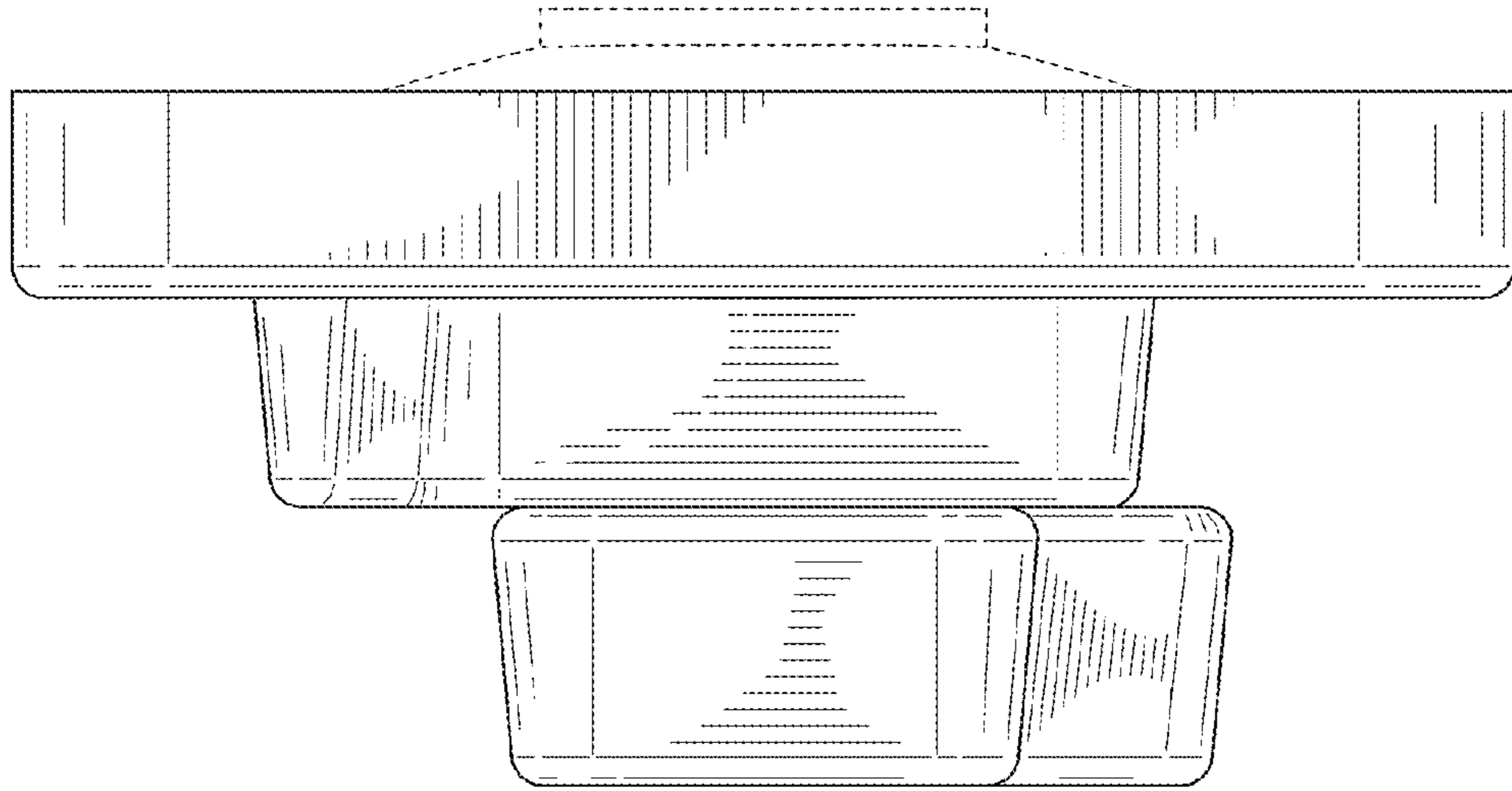
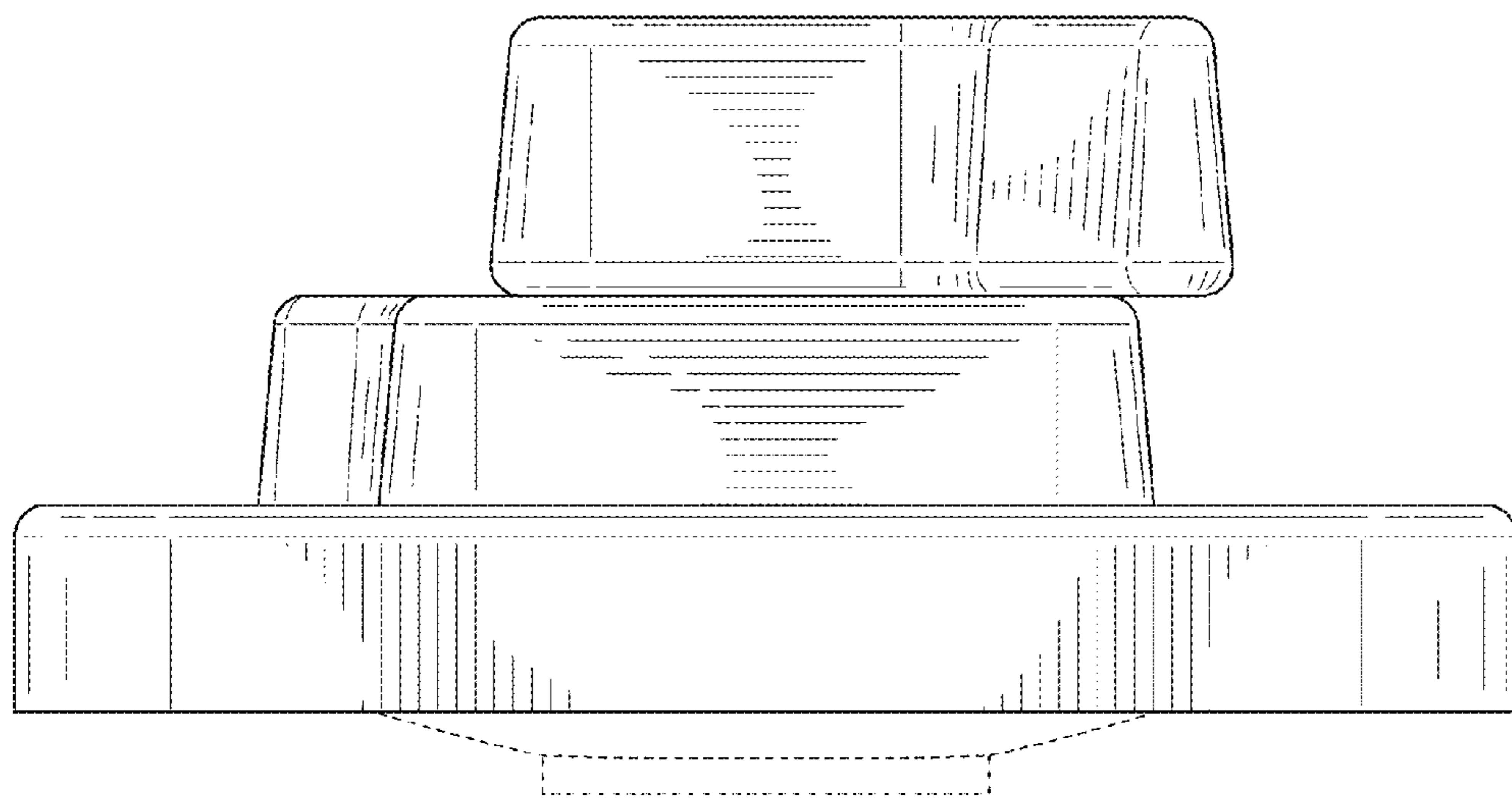


FIG. 5



**FIG. 6**



**FIG. 7**