



US00D757225S

(12) **United States Design Patent**  
**Schoenherr et al.**

(10) **Patent No.:** **US D757,225 S**  
(45) **Date of Patent:** **\*\* May 24, 2016**

(54) **FAUCET HANDLE**

(71) Applicant: **Hansgrohe SE**, Schiltach (DE)  
(72) Inventors: **Tom Schoenherr**, Stuttgart (DE);  
**Andreas Diefenbach**,  
Ludwigsburg-Oßweil (DE)  
(73) Assignee: **Hansgrohe SE**, Schiltach (DE)

(\*\*) Term: **15 Years**

(21) Appl. No.: **29/534,130**

(22) Filed: **Jul. 27, 2015**

(30) **Foreign Application Priority Data**

Feb. 2, 2015 (EM) ..... 002625244-0007

(51) **LOC (10) Cl.** ..... **23-01**

(52) **U.S. Cl.**  
USPC ..... **D23/252**

(58) **Field of Classification Search**  
USPC ..... D23/238-243, 249-250, 252  
CPC ..... E03C 1/04; E03C 1/0401; E03C 1/0402;  
E03C 1/0404; F16K 31/602; F16K 31/605;  
F16K 31/607

See application file for complete search history.

(56) **References Cited**

U.S. PATENT DOCUMENTS

D579,528 S *	10/2008	Citterio .....	D23/252
D581,023 S *	11/2008	Citterio .....	D23/252
D621,005 S *	8/2010	Bouroullec .....	D23/238
D639,912 S	6/2011	Schoenherr et al.	
D661,375 S	6/2012	Citterio	
D684,667 S *	6/2013	Yu .....	D23/238
D700,955 S *	3/2014	Schoenherr .....	D23/238

FOREIGN PATENT DOCUMENTS

EM 002094656-0013 8/2012

\* cited by examiner

*Primary Examiner* — Robert Delehanty

(74) *Attorney, Agent, or Firm* — Lora J. Graentzdoerffer

(57) **CLAIM**

The ornamental design for a faucet handle, as shown and described.

**DESCRIPTION**

FIG. 1 is a perspective view of a faucet handle showing our design;

FIG. 2 is a front elevation view;

FIG. 3 is a rear elevation view;

FIG. 4 is a side elevation view;

FIG. 5 is a top plan view; and,

FIG. 6 is a bottom plan view.

The broken-line disclosure in the views represents portions of the faucet handle in which the claimed design is embodied, but which form no part of the claimed design.

**1 Claim, 6 Drawing Sheets**

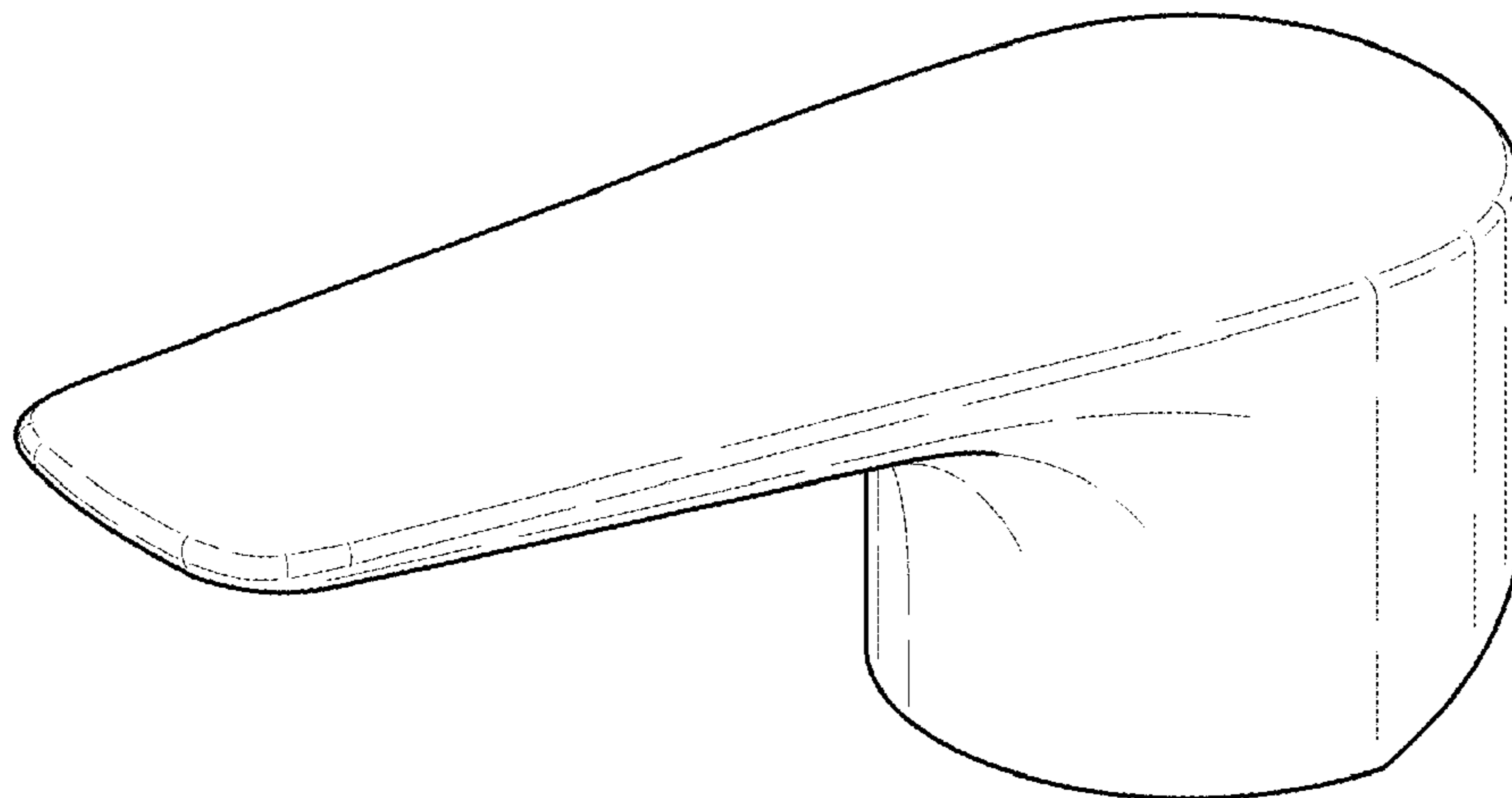


FIG. 1

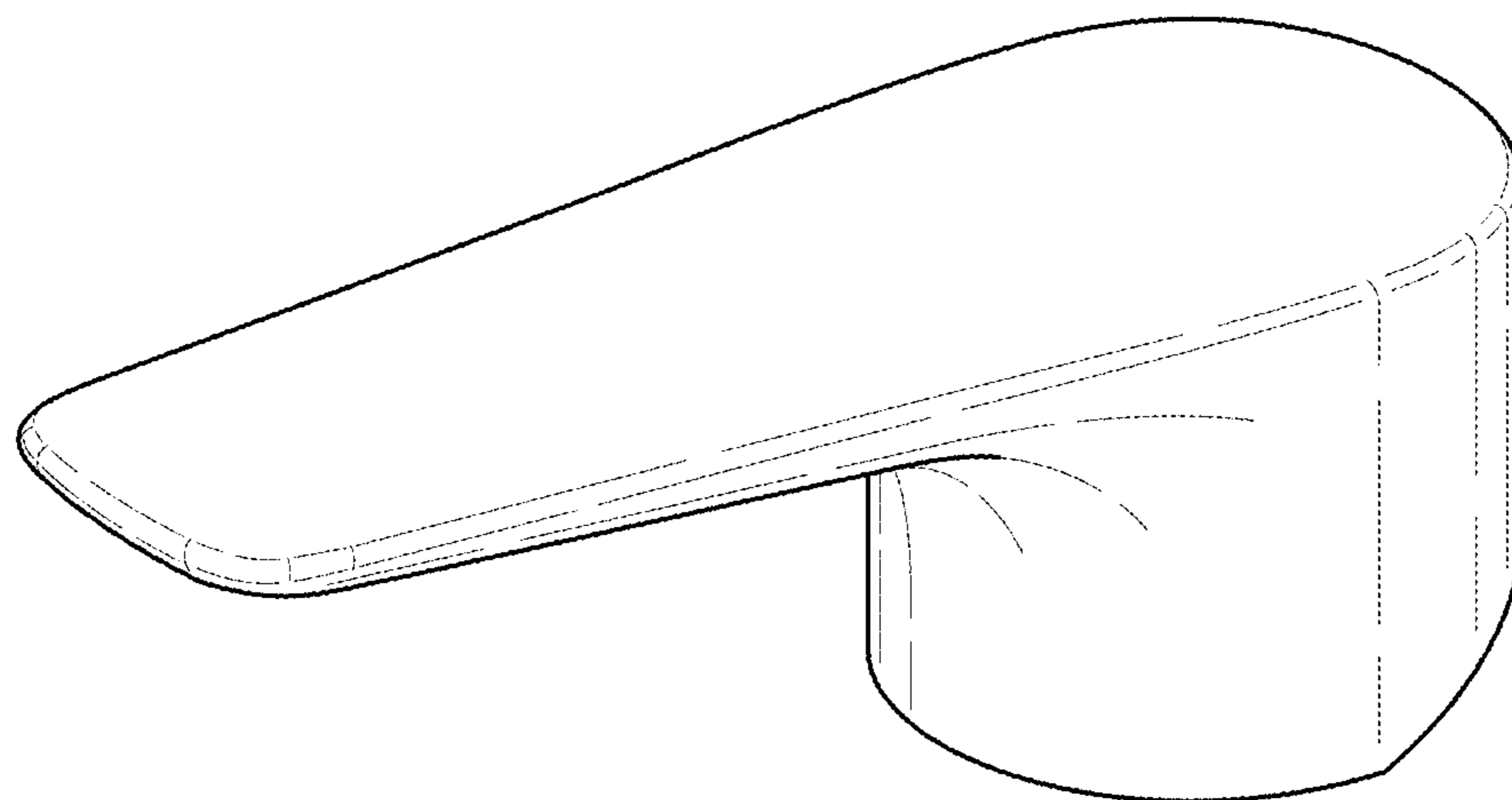


FIG. 2

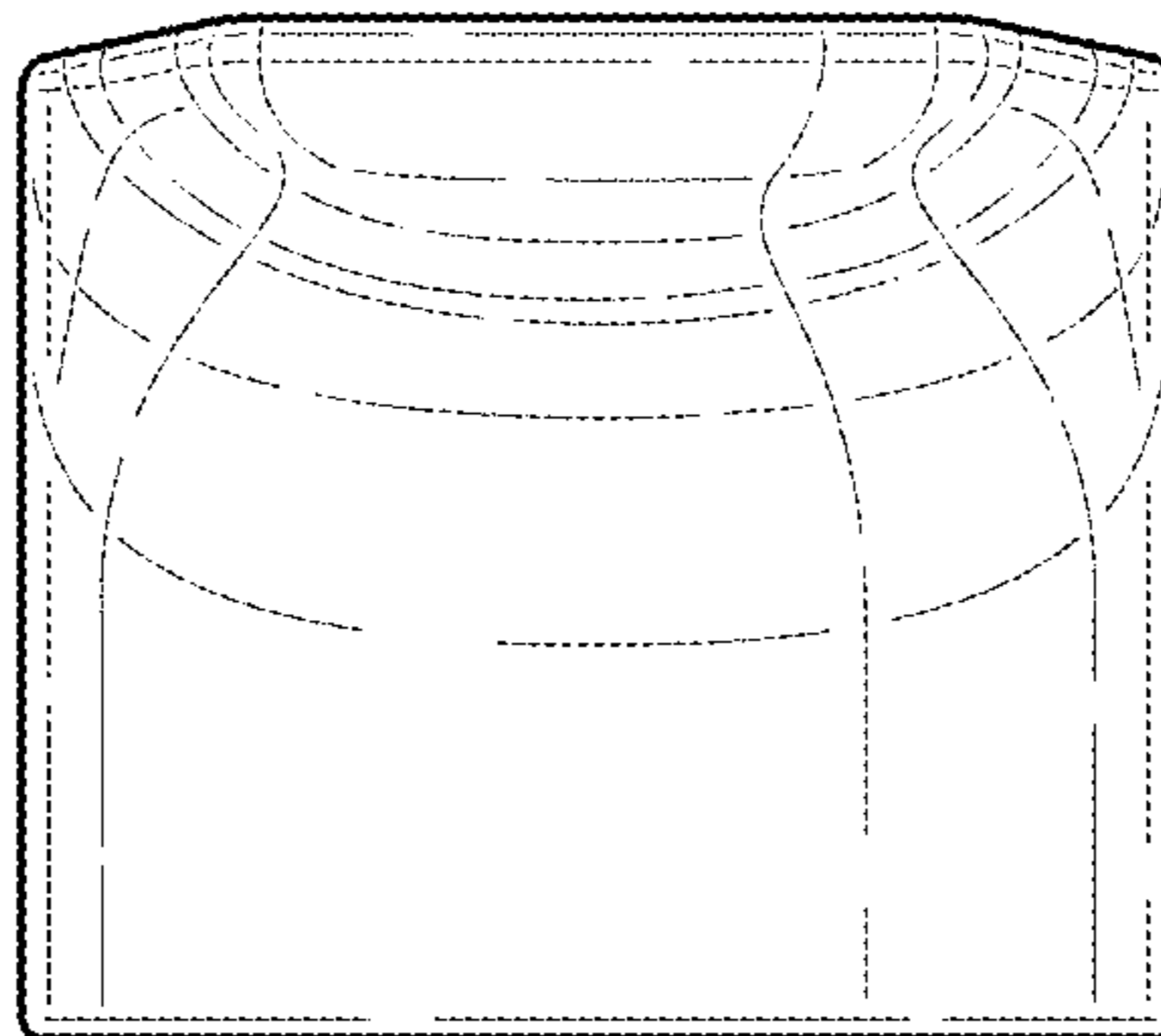


FIG. 3

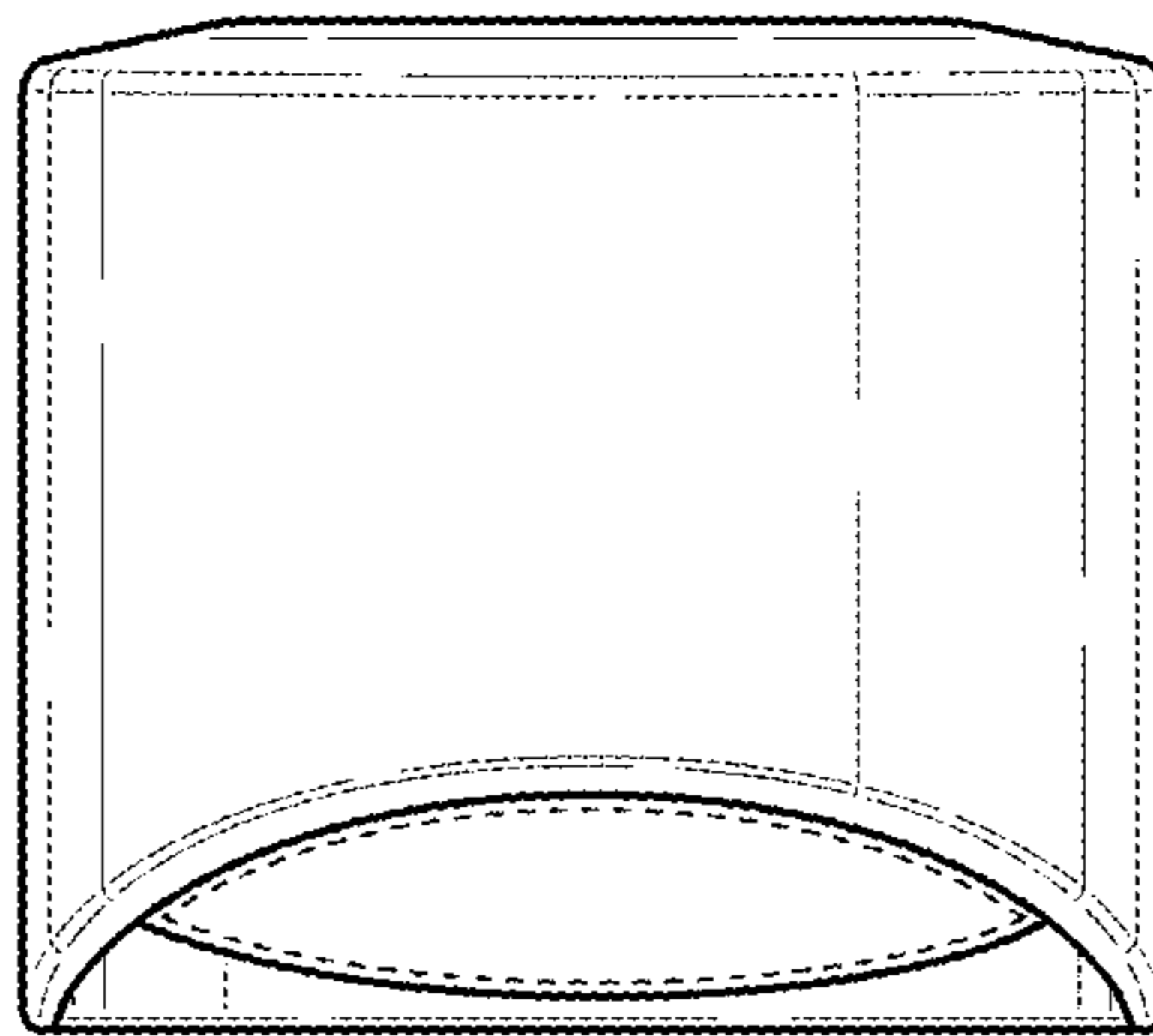


FIG. 4

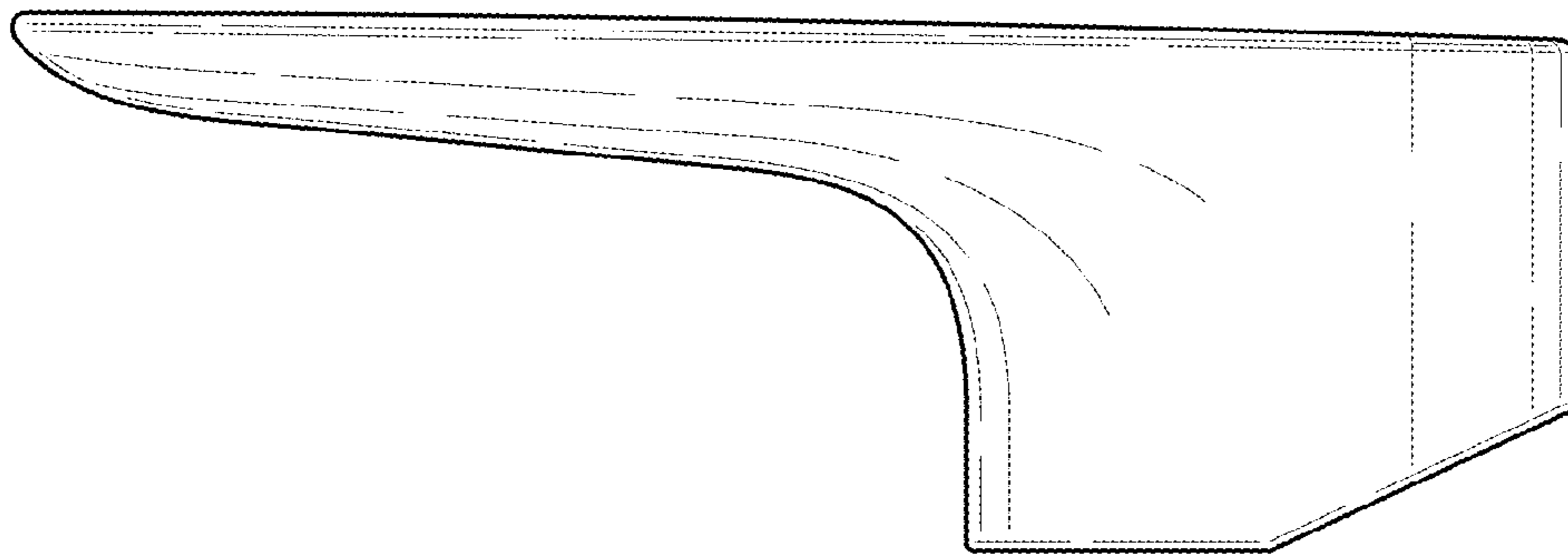


FIG. 5

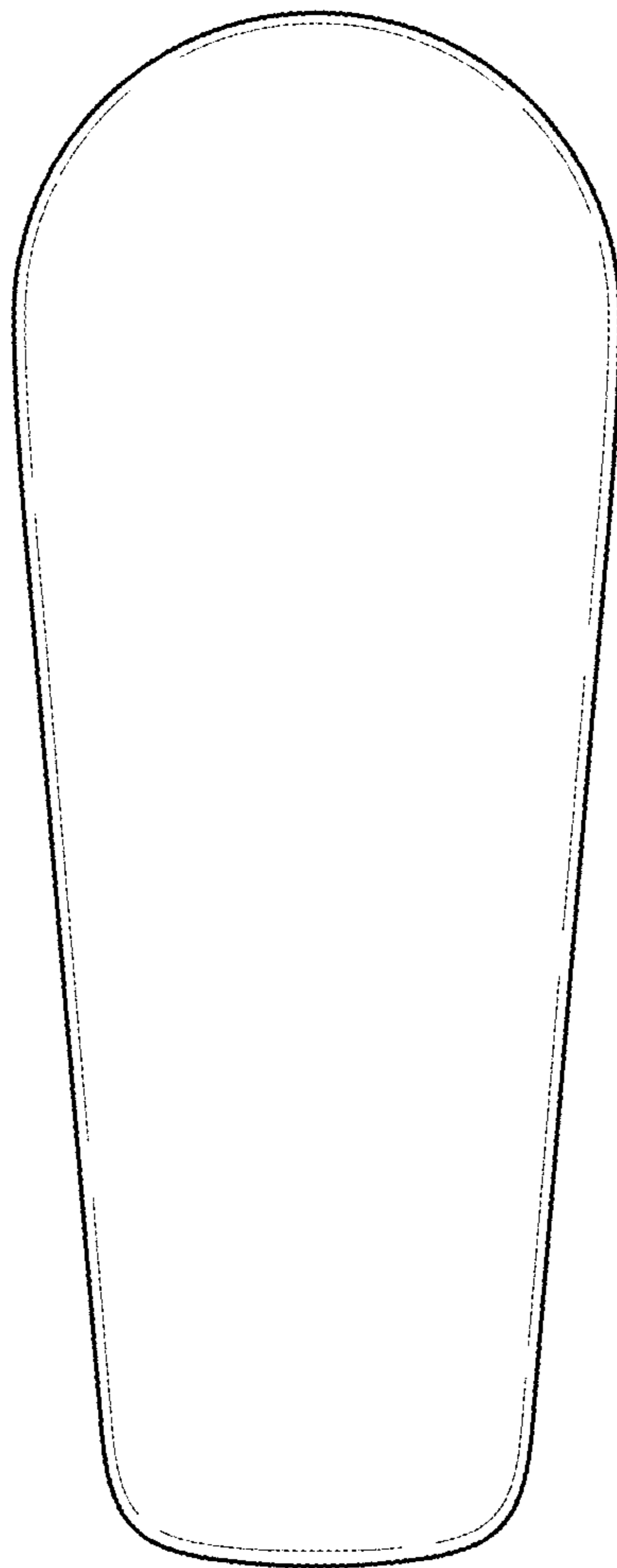


FIG. 6

