

US00D757224S

(12) **United States Design Patent**  
**Reinhart**

(10) **Patent No.:** **US D757,224 S**  
(45) **Date of Patent:** **\*\* May 24, 2016**

- (54) **FAUCET COVER**
- (71) Applicant: **Creative Plastic Concepts, LLC**,  
Sycamore, OH (US)
- (72) Inventor: **Nickolas Reinhart**, Findlay, OH (US)
- (73) Assignee: **CREATIVE PLASTIC CONCEPTS, LLC**, Sycamore, OH (US)
- (\*\*) Term: **15 Years**
- (21) Appl. No.: **29/527,064**
- (22) Filed: **May 15, 2015**
- (51) **LOC (10) Cl.** ..... **23-01**
- (52) **U.S. Cl.**  
USPC ..... **D23/249**
- (58) **Field of Classification Search**  
USPC ..... D23/238, 241–243, 249–250, 255, 257  
CPC ..... E03C 1/04; E03C 1/0401; E03C 1/0402;  
E03C 1/0404; Y10T 137/7058  
See application file for complete search history.

- 4,301,828 A \* 11/1981 Martin, Jr. .... B60K 15/05  
137/381
- 4,465,020 A \* 8/1984 Schafer ..... A01K 7/027  
119/73
- D290,990 S \* 7/1987 Izzi ..... D23/249
- D704,806 S \* 5/2014 Boeltl ..... D23/255

\* cited by examiner

*Primary Examiner* — Robert Delehanty  
(74) *Attorney, Agent, or Firm* — Fraser Clemens Martin & Miller LLC; Jacob M. Ward

(57) **CLAIM**

The ornamental design for a faucet cover, as shown and described.

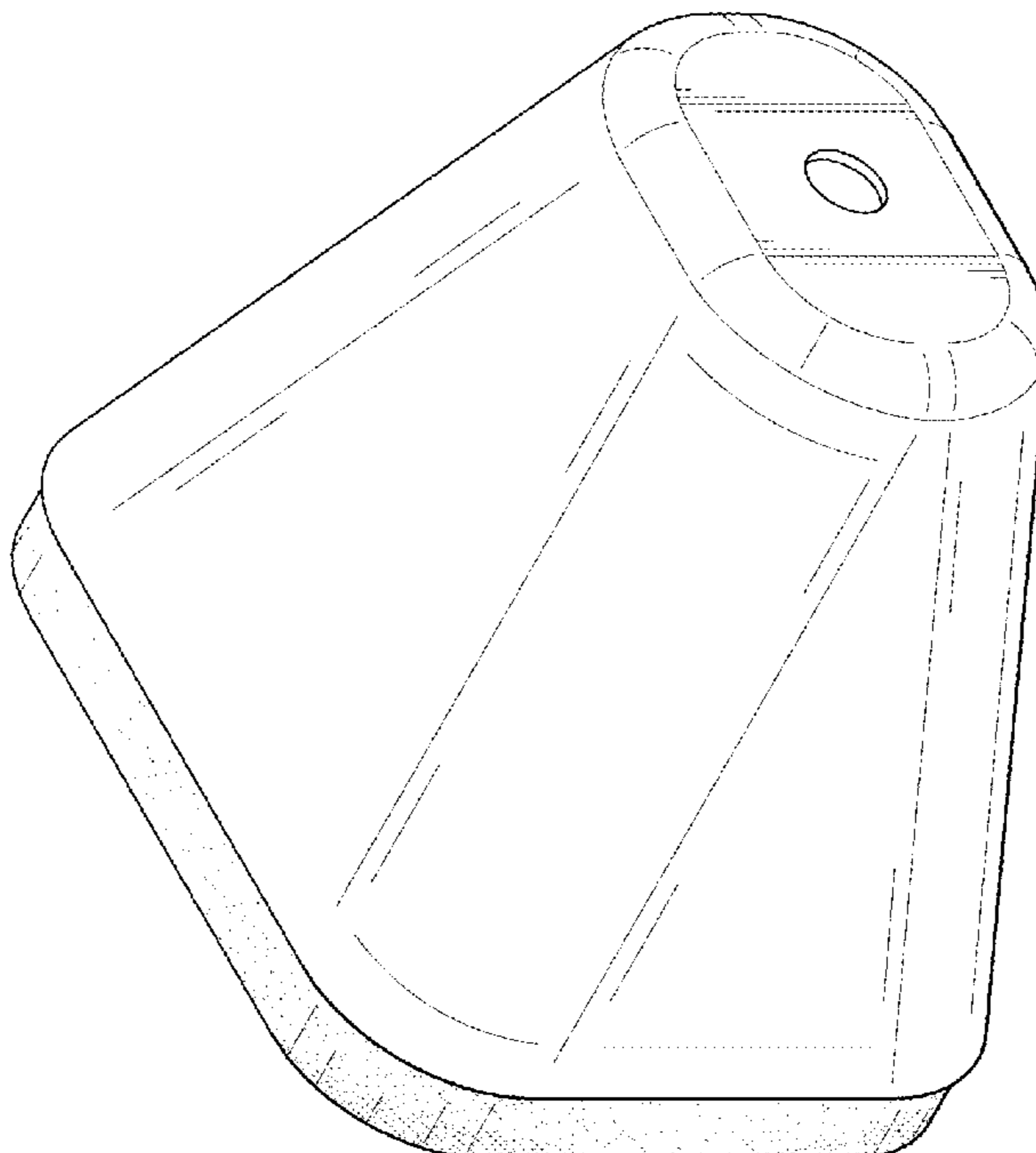
**DESCRIPTION**

FIG. 1 is a top perspective view of a faucet cover; FIG. 2 is a bottom perspective view of the faucet cover of FIG. 1; FIG. 3 is a top plan view thereof; FIG. 4 is a bottom plan view thereof; FIG. 5 is a right side elevational view thereof; and, FIG. 6 is a front elevational view thereof. A left side elevational view is not shown because it is a mirror image of the right side elevational view shown in FIG. 5. A rear elevational view is not shown because it is a mirror image of the front elevational view shown in FIG. 6.

The ornamental design which is claimed is shown in solid lines in the drawings.

**1 Claim, 4 Drawing Sheets**

- (56) **References Cited**  
U.S. PATENT DOCUMENTS  
2,686,530 A \* 8/1954 Dire ..... F16K 27/12  
137/375  
4,103,701 A \* 8/1978 Jeng ..... E03B 7/12  
137/375



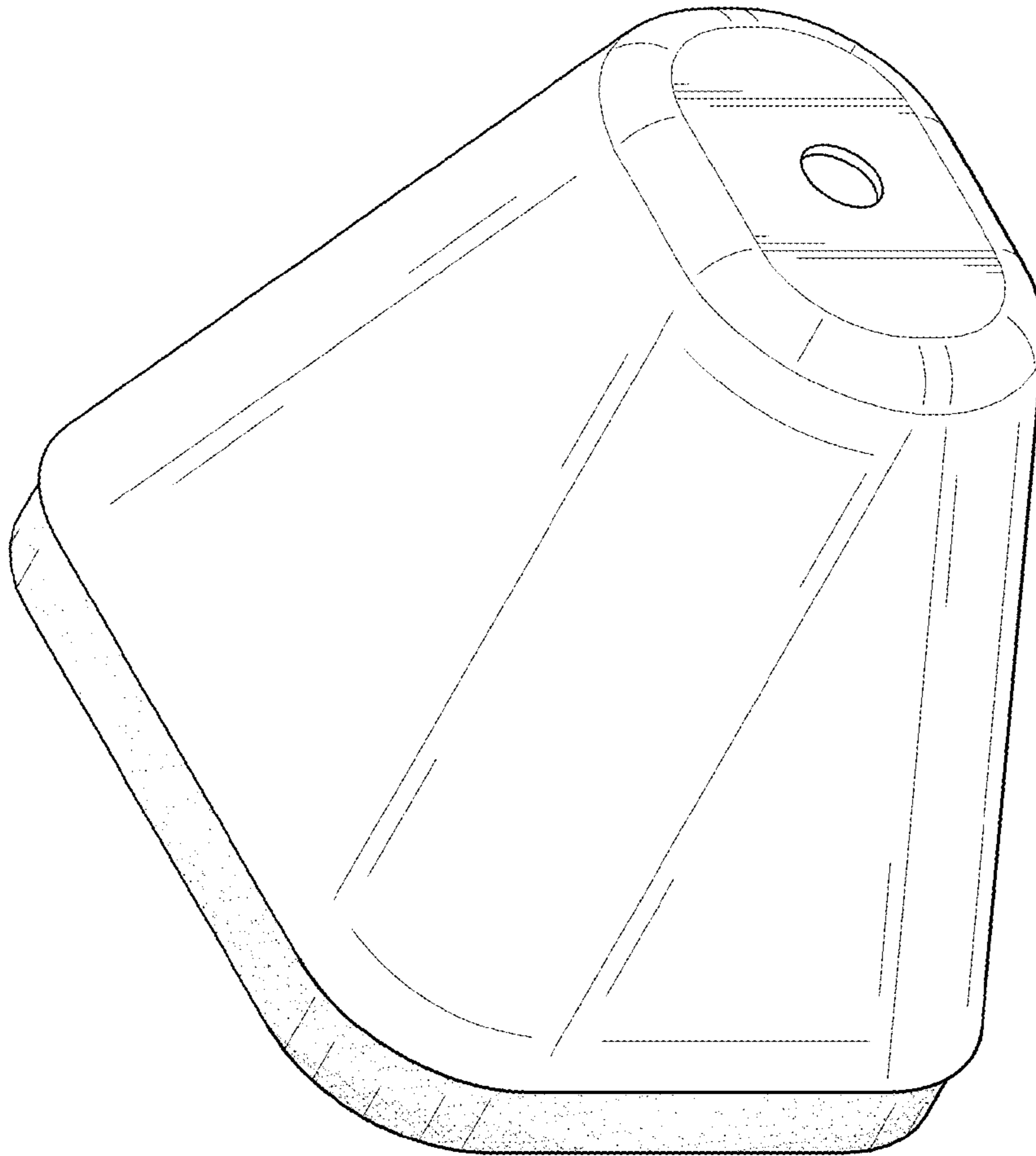


FIG. 1

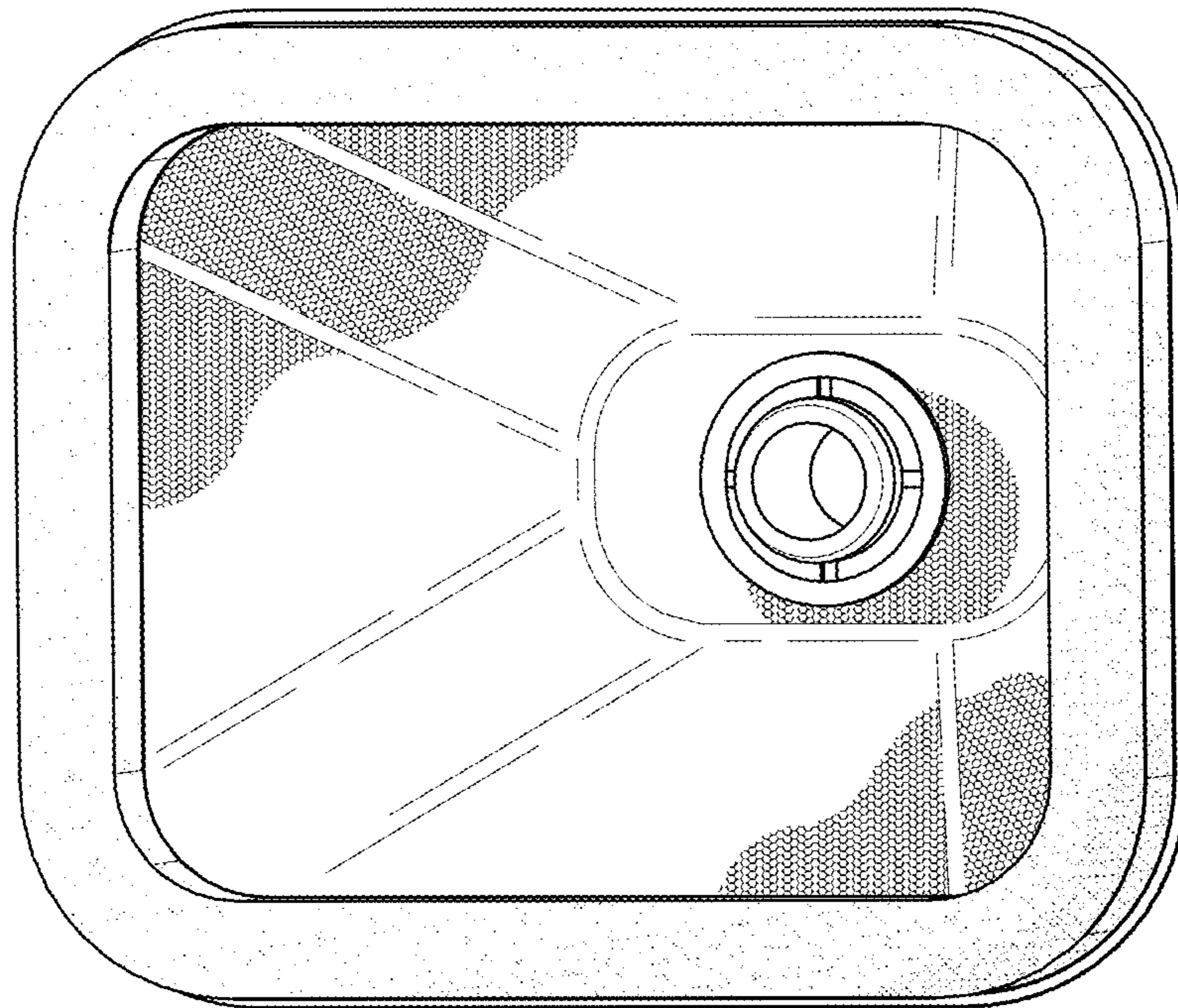


FIG. 2

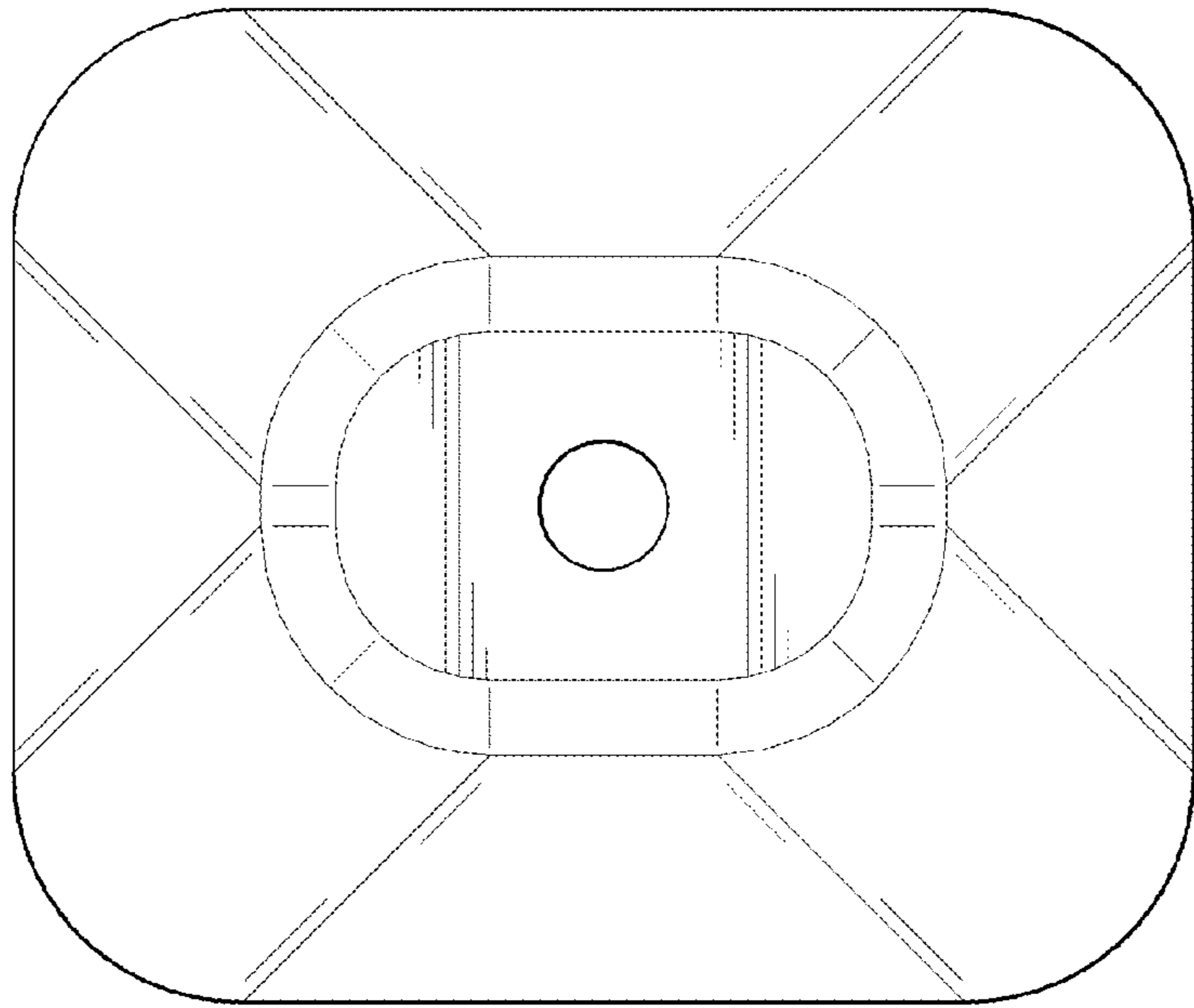


FIG. 3

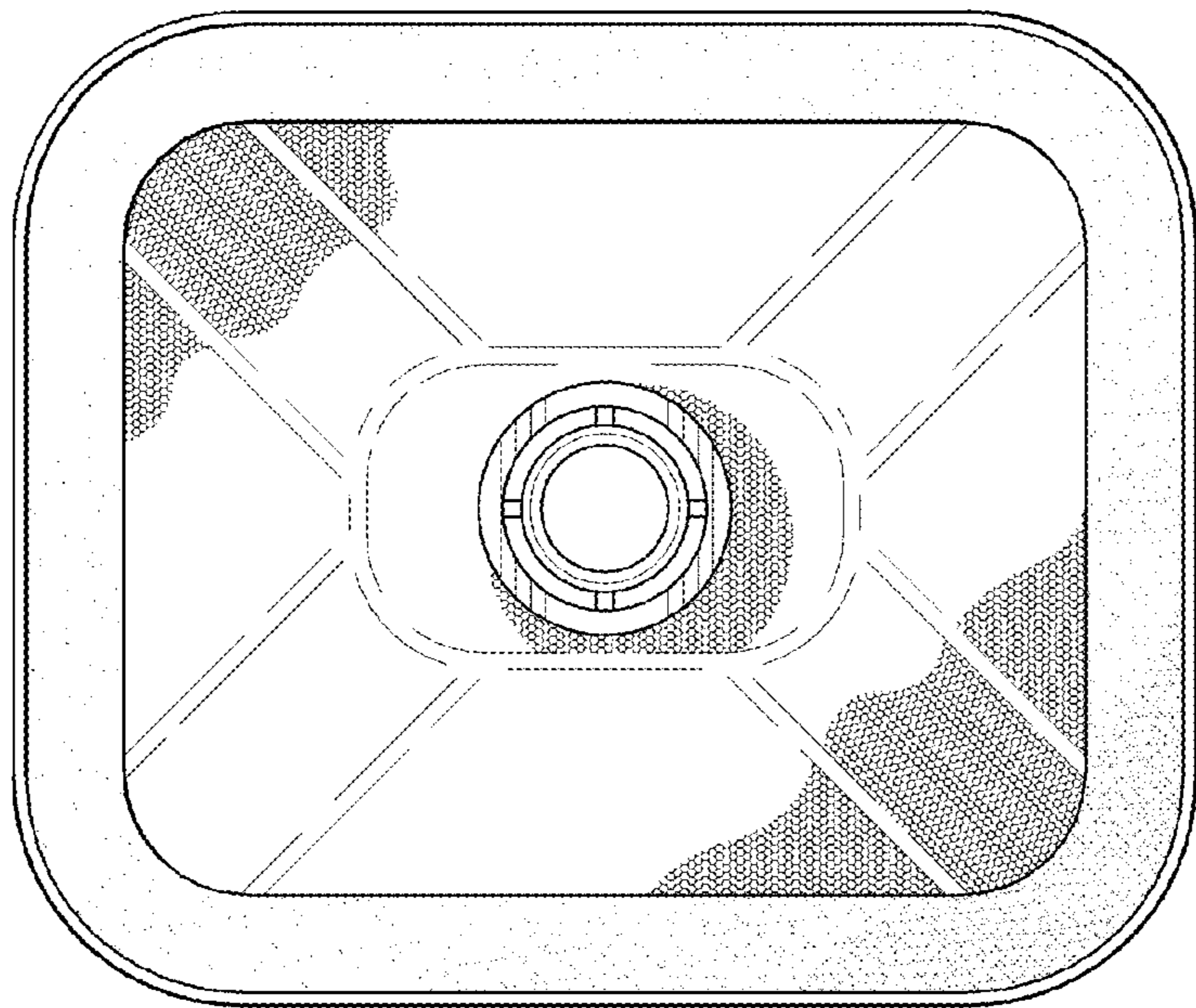


FIG. 4



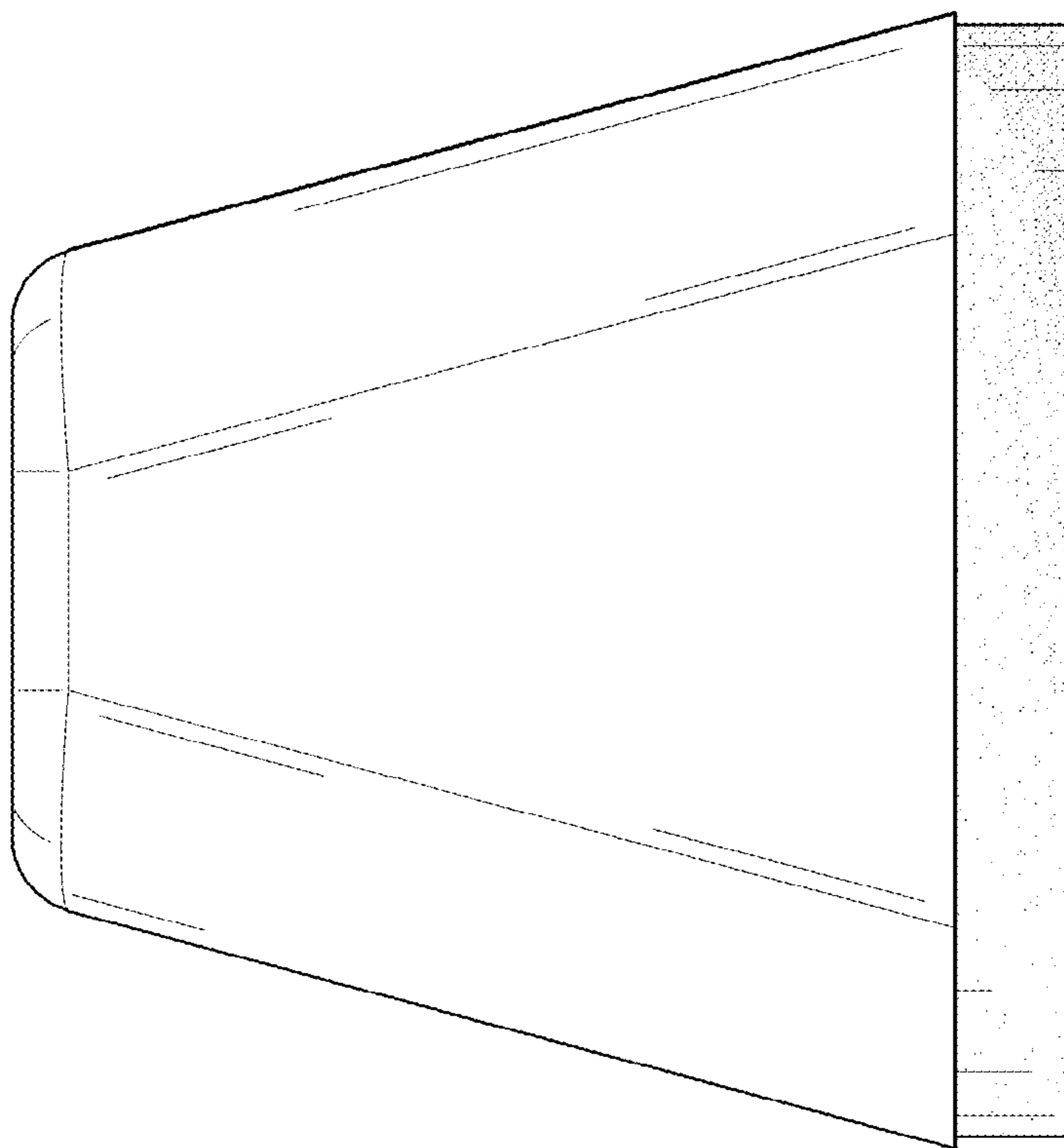


FIG. 6

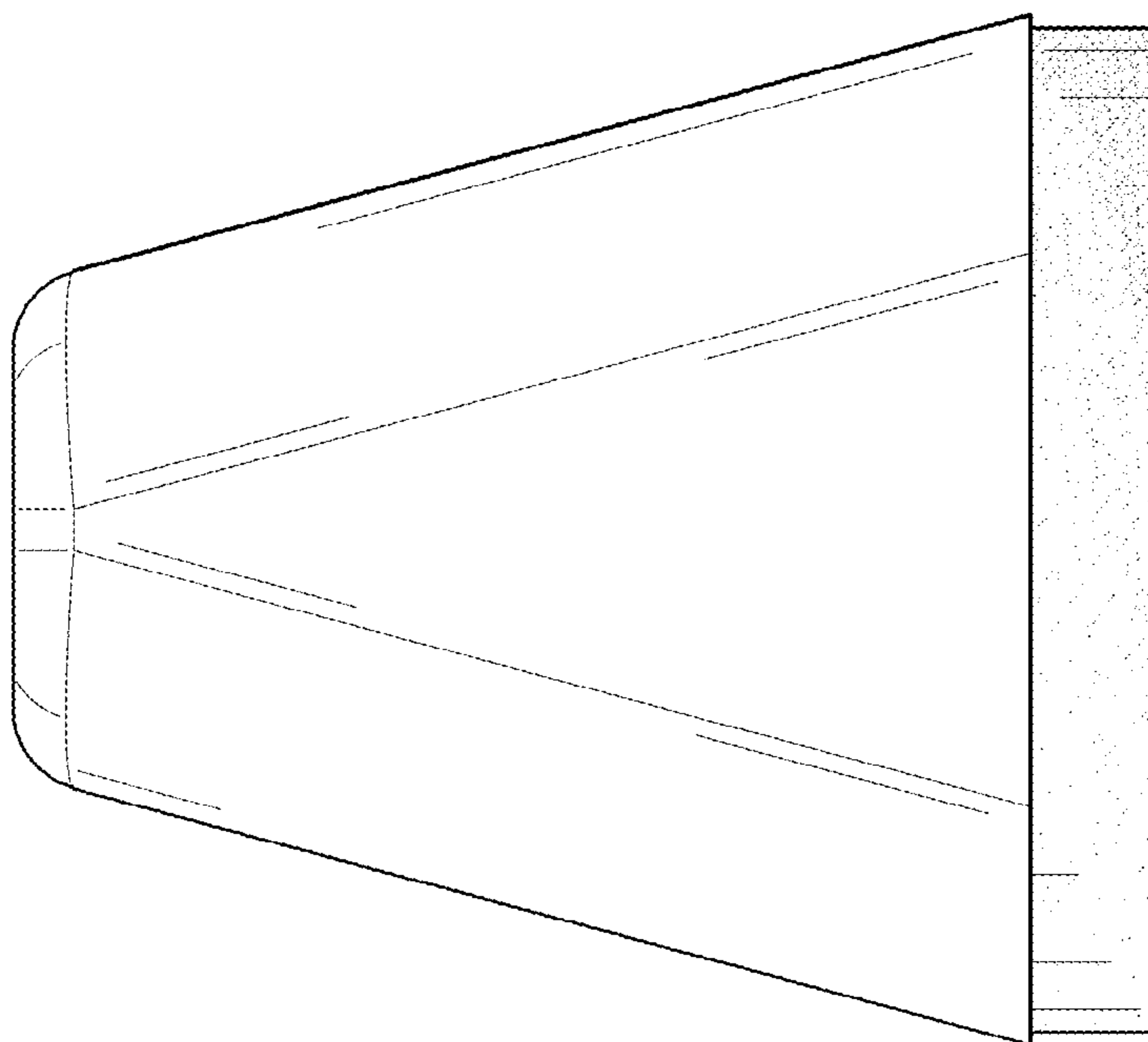


FIG. 5