



US00D757218S

(12) **United States Design Patent**  
**Murphey et al.**

(10) **Patent No.:** **US D757,218 S**

(45) **Date of Patent:** **\*\* May 24, 2016**

(54) **CHECK VALVE BODY**

(71) Applicant: **B&B MOLDERS LLC**, Mishawaka, IN (US)

(72) Inventors: **Bradly Michael Murphey**, Osceola, IN (US); **Adam Nathaniel Schramski**, Mishawaka, IN (US); **Michael Patrick Dittrich**, Granger, IN (US)

(73) Assignee: **B&B Molders LLC**, Mishawaka, IN (US)

(\*\*) Term: **14 Years**

(21) Appl. No.: **29/498,140**

(22) Filed: **Jul. 31, 2014**

(51) **LOC (10) Cl.** ..... **23-01**

(52) **U.S. Cl.**  
USPC ..... **D23/237**

(58) **Field of Classification Search**

USPC ..... D23/233-269, 223-226; 137/486, 10, 137/613, 625.4, 625.48, 115.13, 12, 14, 137/15.18, 487, 489.5, 503, 606  
CPC . F16K 27/0209; F16K 15/044; F16K 15/183; F16K 15/00  
See application file for complete search history.

(56) **References Cited**

**U.S. PATENT DOCUMENTS**

D412,738 S \* 8/1999 Kuwabara ..... D23/233  
D435,635 S \* 12/2000 Taneya ..... D23/233  
6,250,336 B1 6/2001 Murphey et al.  
D463,537 S \* 9/2002 Kozu et al. .... D23/262  
D608,424 S \* 1/2010 Katsuta et al. .... D23/266

**OTHER PUBLICATIONS**

B&B Molders LLC, RV Parts & Accessories Catalog, 2007, cover page, pp. 4-11, pp. 24-39, and back page; Mishawaka, USA.

B&B Molders LLC, Product Catalog, 1997, cover page and pp. 3-6; Mishawaka, USA.

B&B Molders LLC, Flyer for Inline Plastic Check Valves title "A Revolutionary Design for Inline Plastic Check Valves", 2011, Mishawaka, USA.

B&B Molders LLC, Flyer for Product entitled ""Lead Free" from B&B!!!", 2010, Mishawaka, USA.

B&B Molders LLC, Flyer for Product titled "New from B&B Molders!! "Test Plug" for Water Distribution Testing", 2008, Mishawaka, USA.

(Continued)

*Primary Examiner* — Cynthia Ramirez

*Assistant Examiner* — Gino Colan

(74) *Attorney, Agent, or Firm* — Leydig, Voit & Mayer, Ltd.

(57) **CLAIM**

The ornamental design for a check valve body, as shown and described.

**DESCRIPTION**

FIG. 1 is a perspective view taken from the top side of a check valve body in accordance with my new design.

FIG. 2 is a perspective view taken from the bottom side of a check valve body in accordance with my new design.

FIG. 3 is a left side elevational view of the check valve body of FIG. 1.

FIG. 4 is a right side elevational view of the check valve body of FIG. 1.

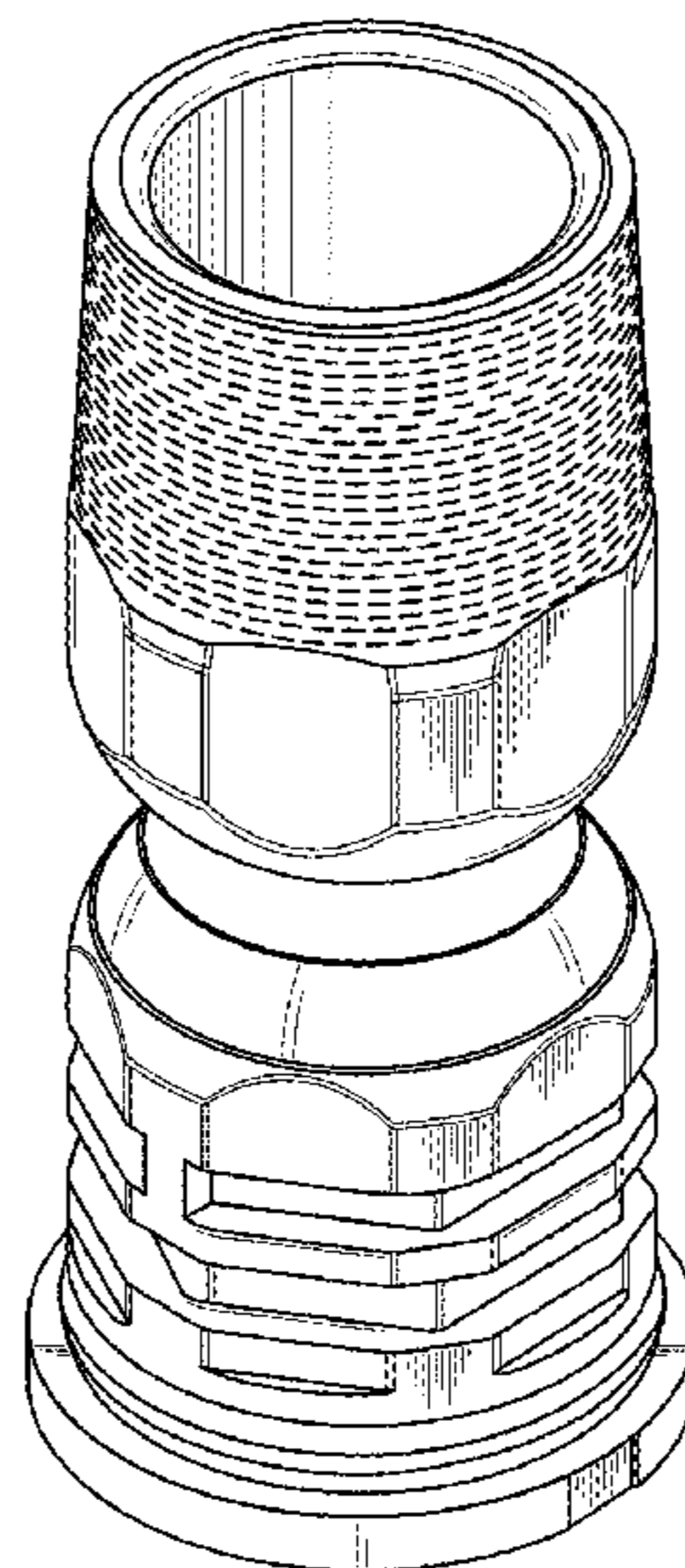
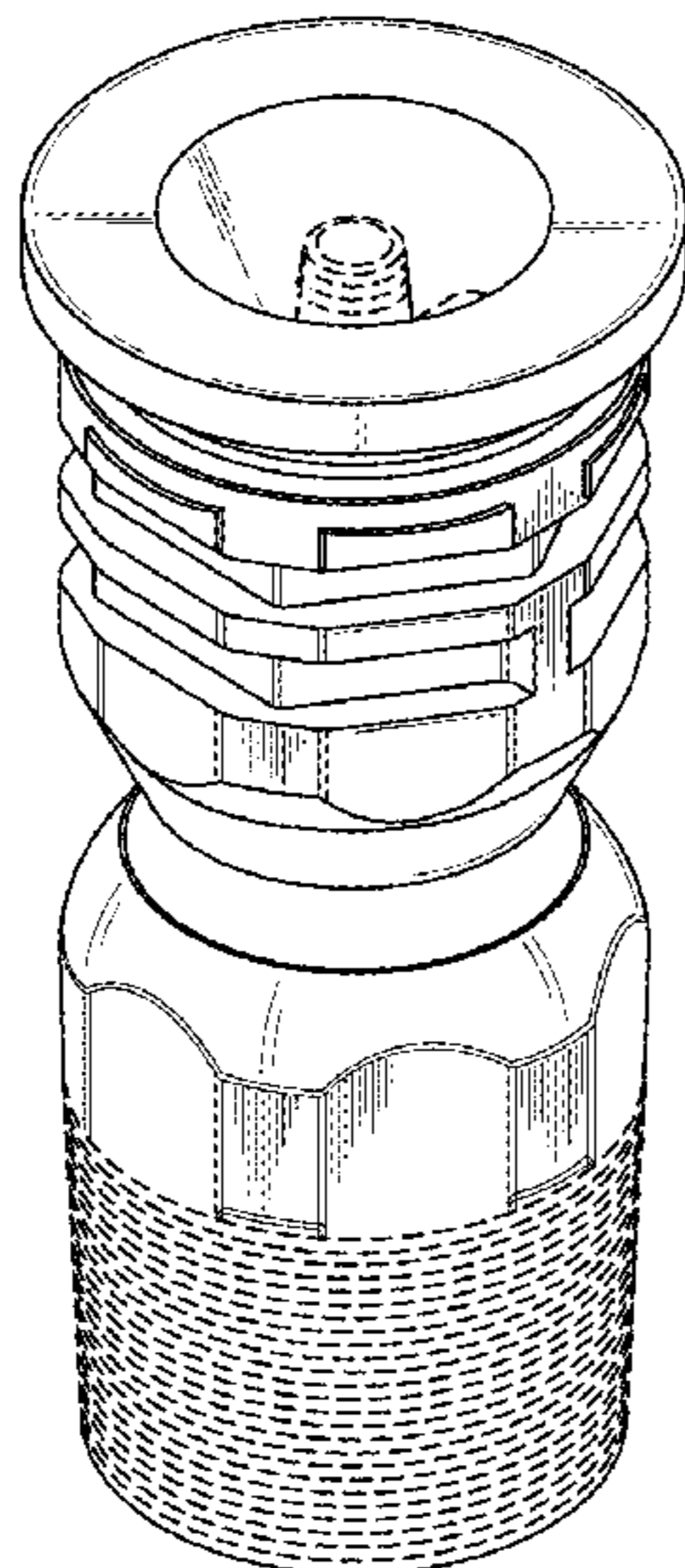
FIG. 5 is a front elevational view of the check valve body of FIG. 1.

FIG. 6 is a rear elevational view of the check valve body of FIG. 1.

FIG. 7 is a top view of the check valve body of FIG. 1; and, FIG. 8 is a bottom view of the check valve body of FIG. 1.

The broken lines shown represent unclaimed subject matter and form no part of the claimed design.

**1 Claim, 4 Drawing Sheets**



(56)

**References Cited**

OTHER PUBLICATIONS

B&B Molders LLC, Flyer for Water Fill Check Valves titled "New from B&B Molders!!! Revolutionary Design in Water Fill Check Valves", 2006, Mishawaka, USA.

Swan Industries, Inc., Catalog, 2014, Bend, USA.

B&B Molders LLC, First Photograph of Competitor's Product, taken before 2013, Mishawaka, USA.

B&B Molders LLC, Second Photograph of Competitor Product, taken before 2013, Mishawaka, USA.

\* cited by examiner

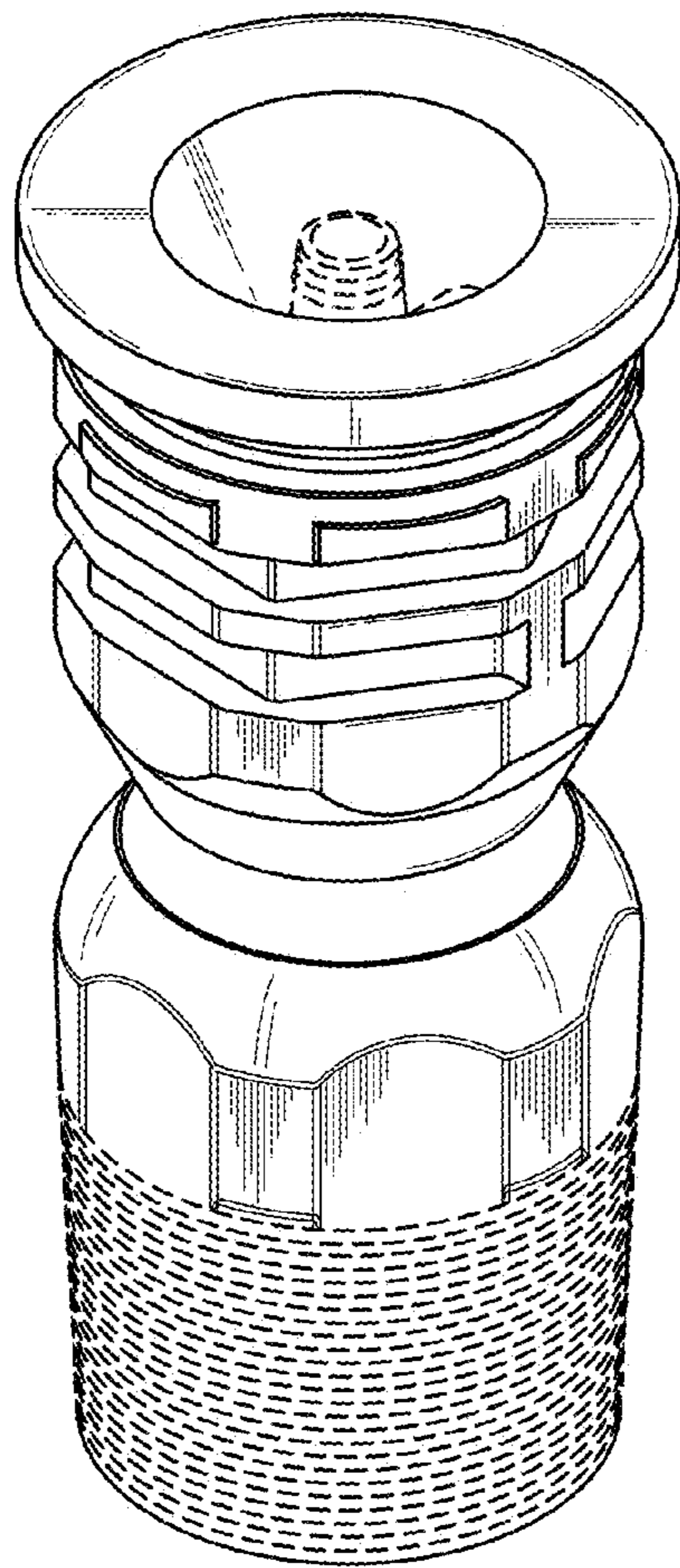


FIG. 1

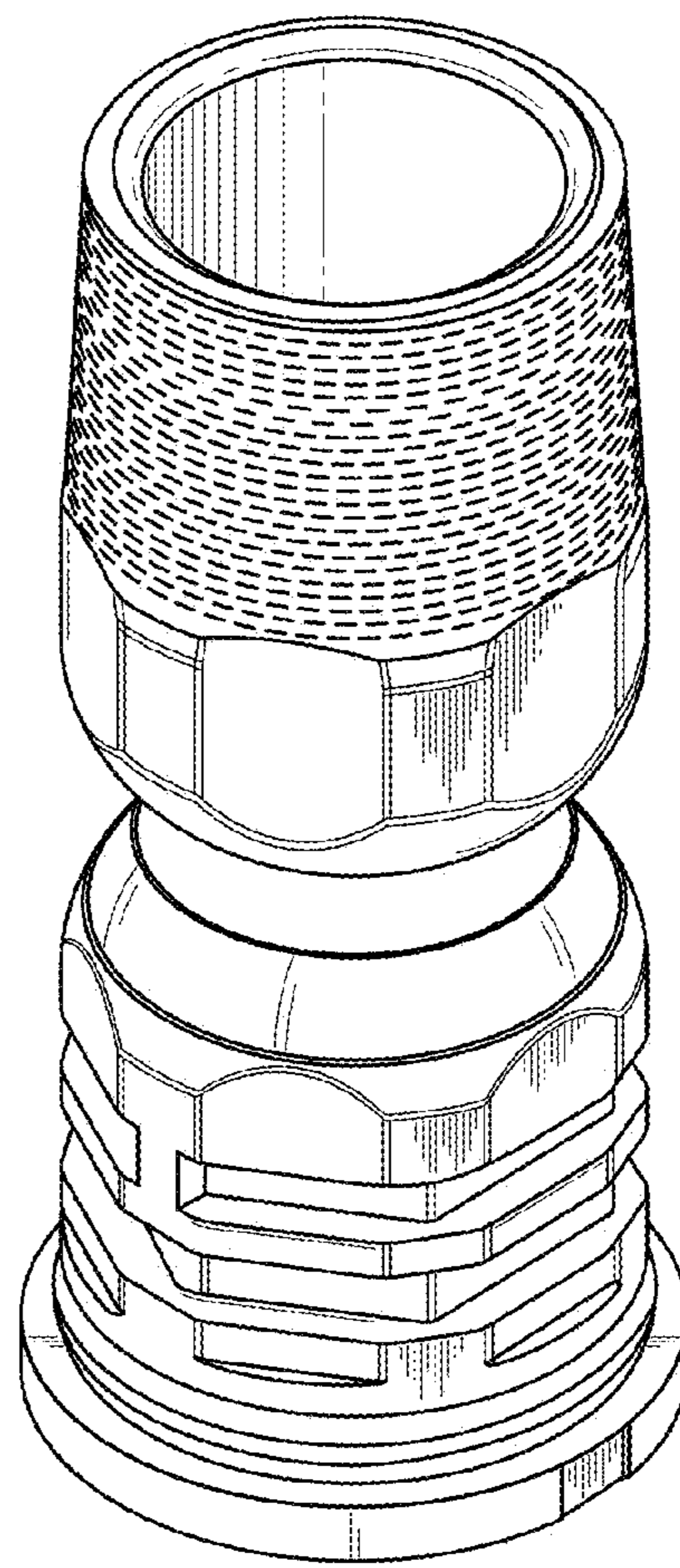


FIG. 2

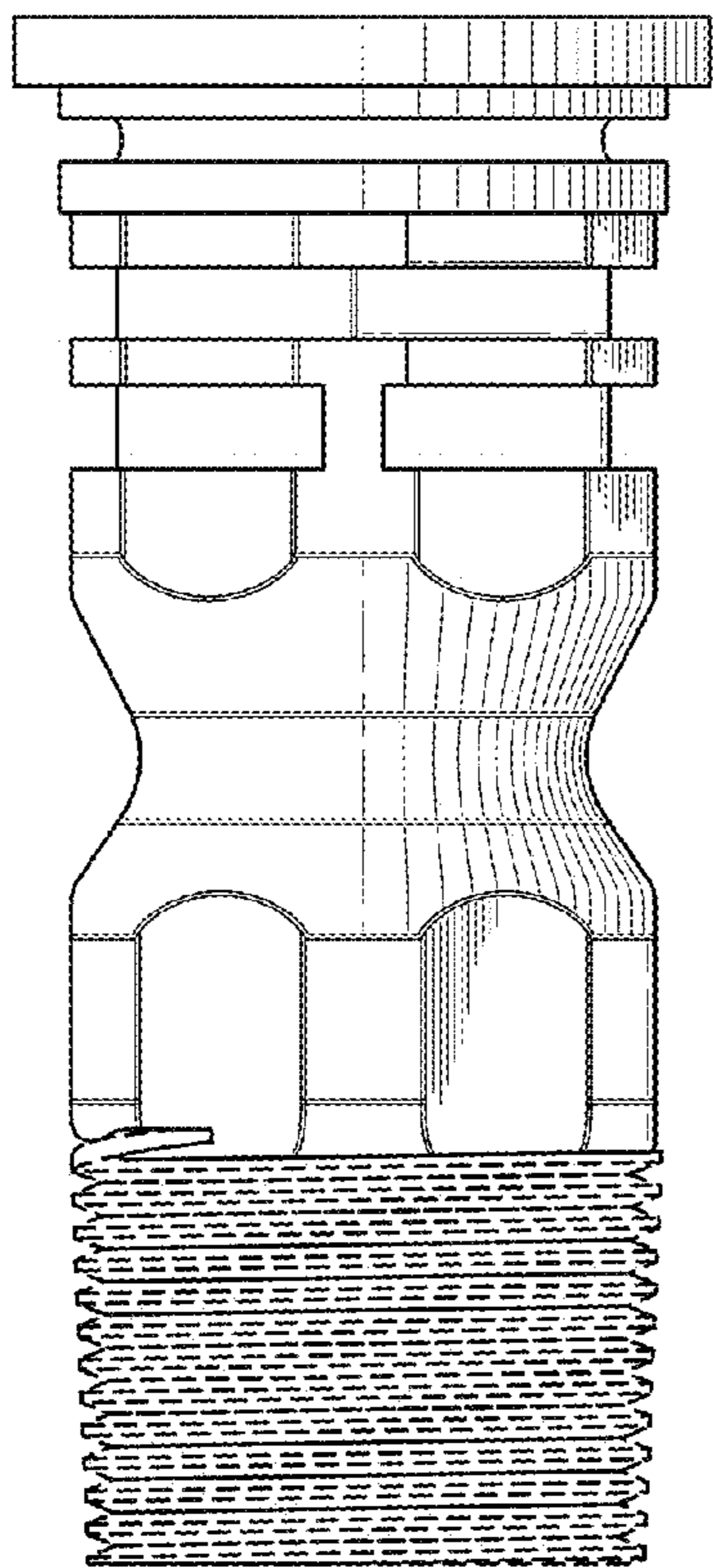


FIG. 3

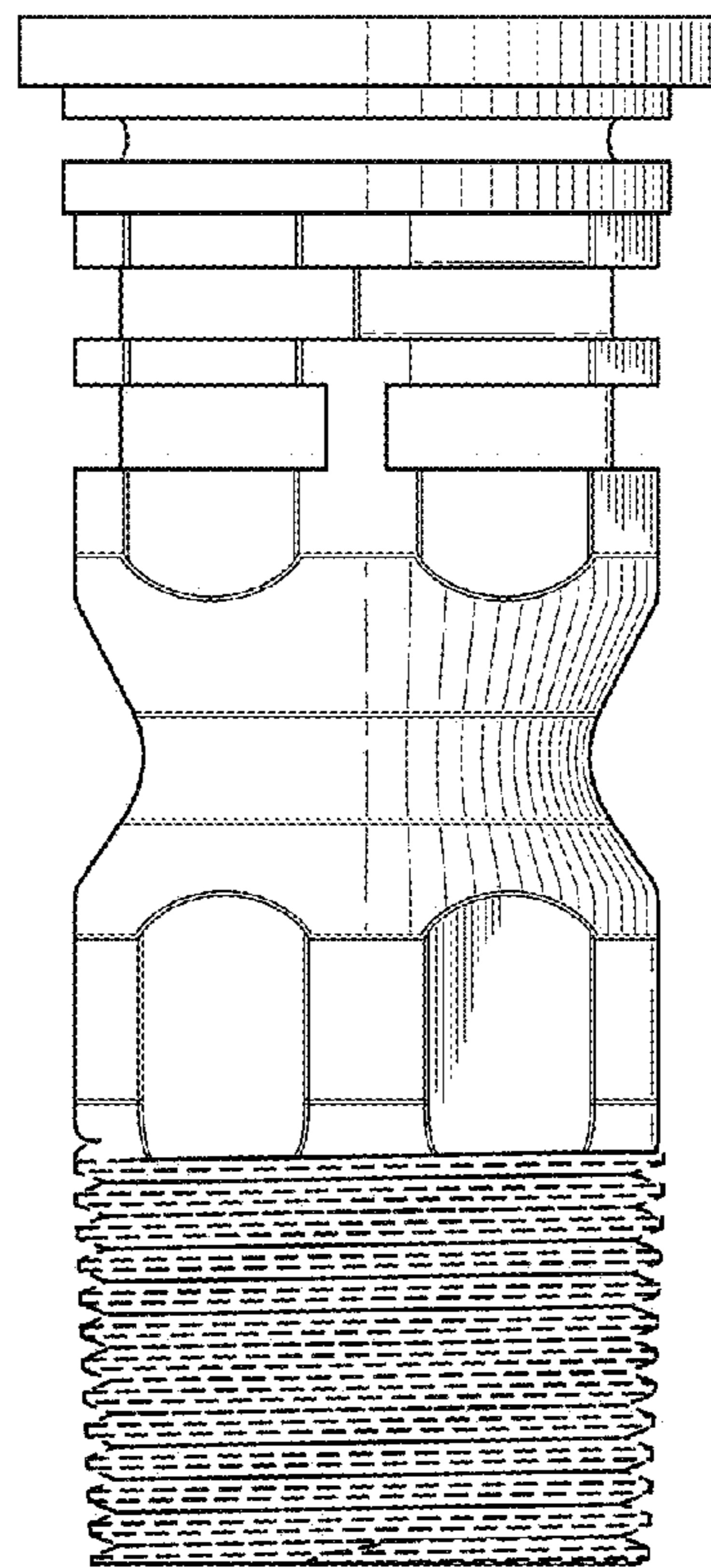


FIG. 4

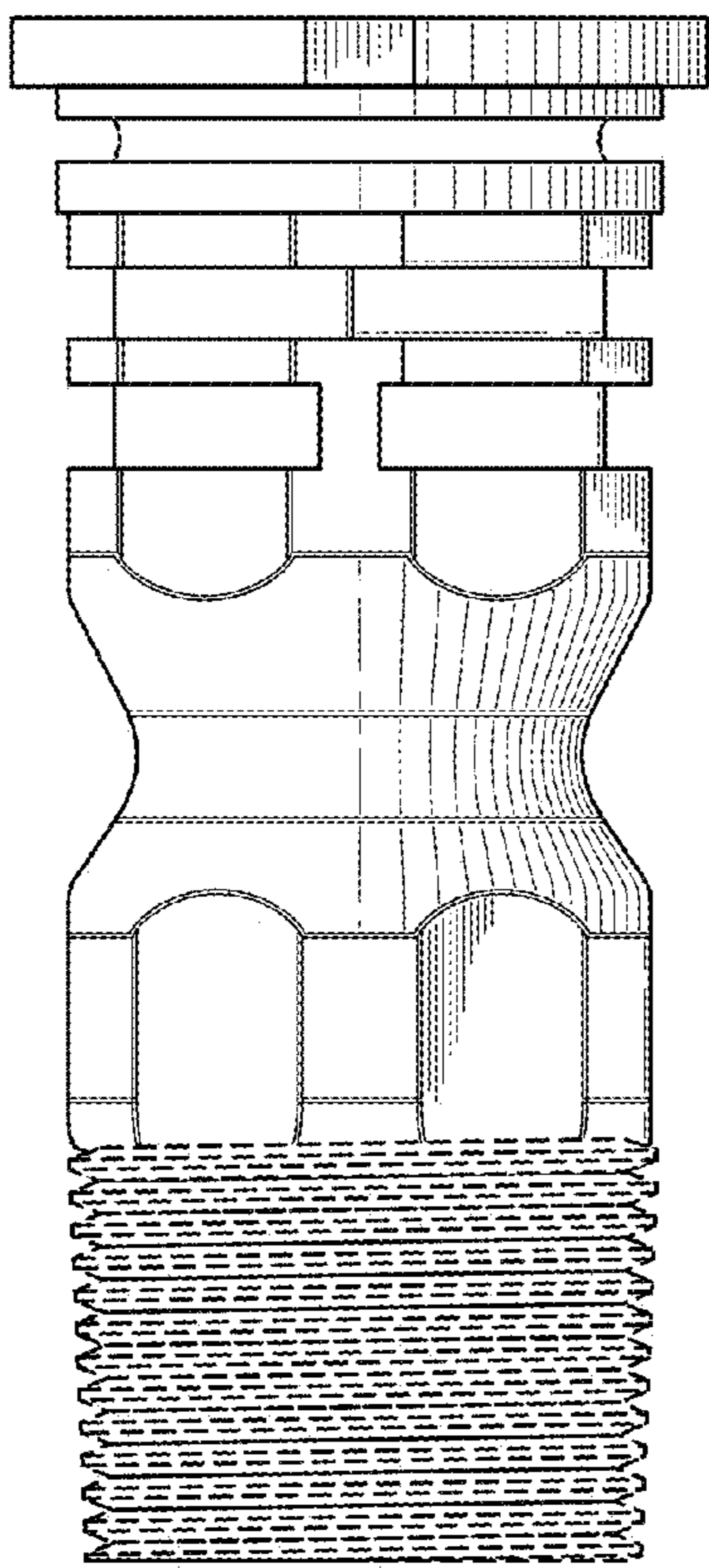


FIG. 5

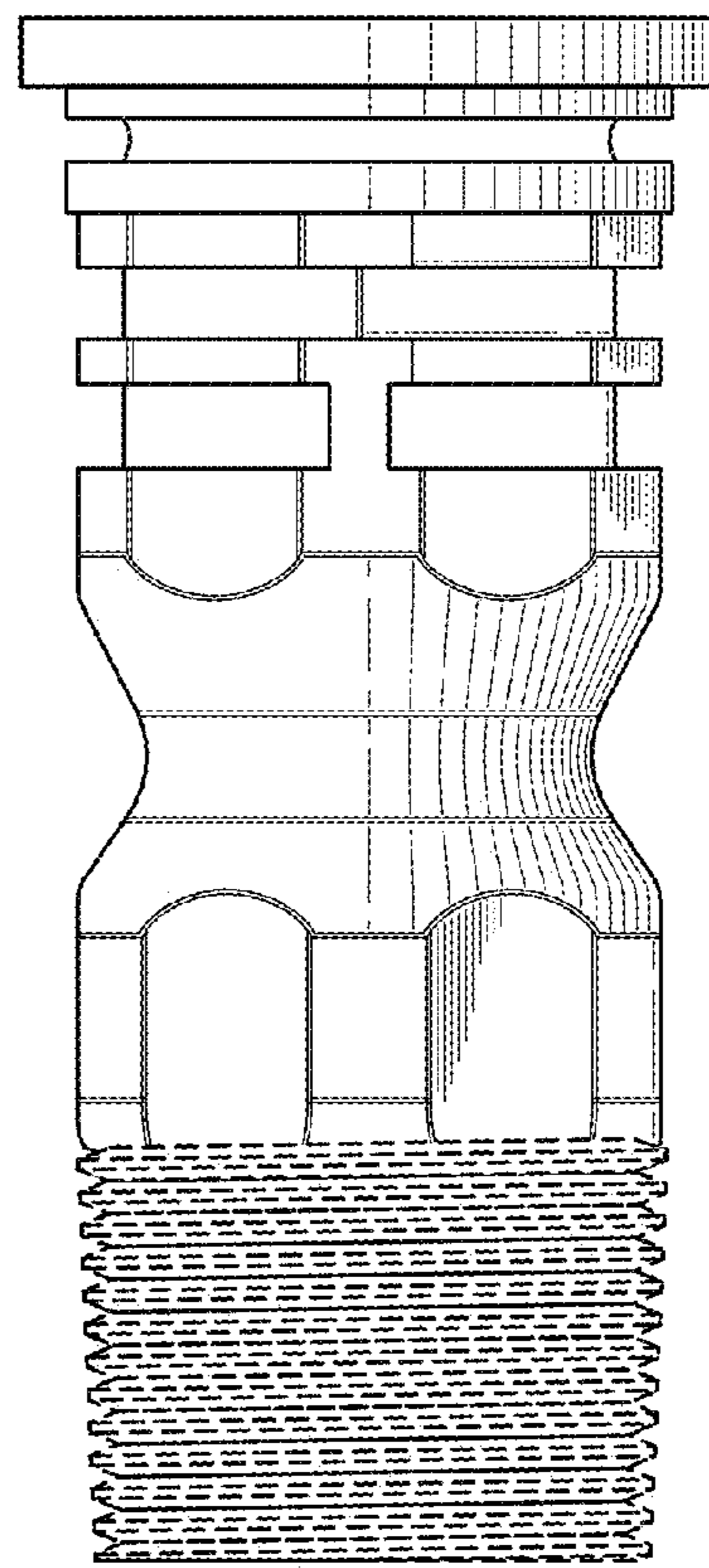


FIG. 6

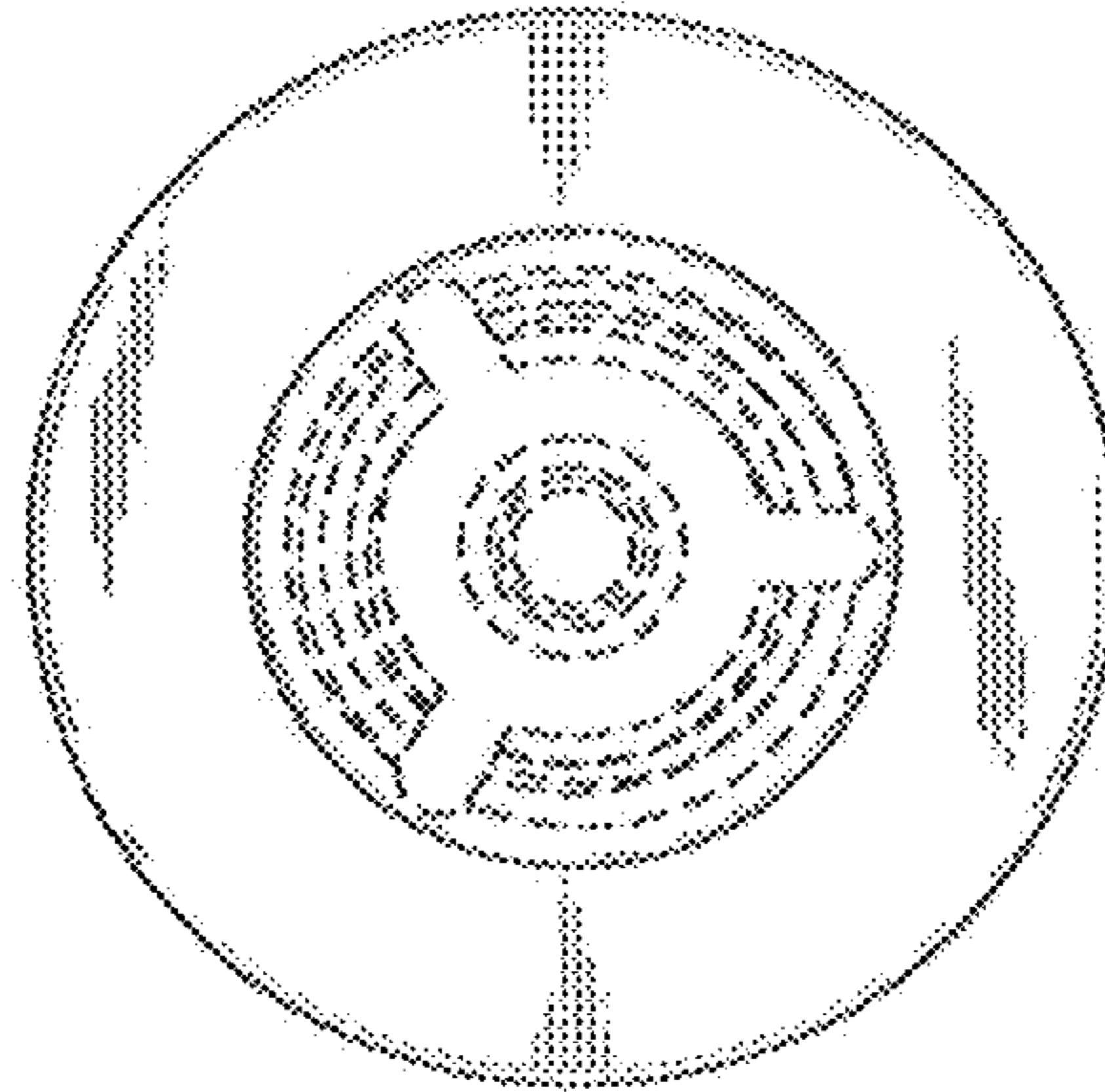


FIG. 7

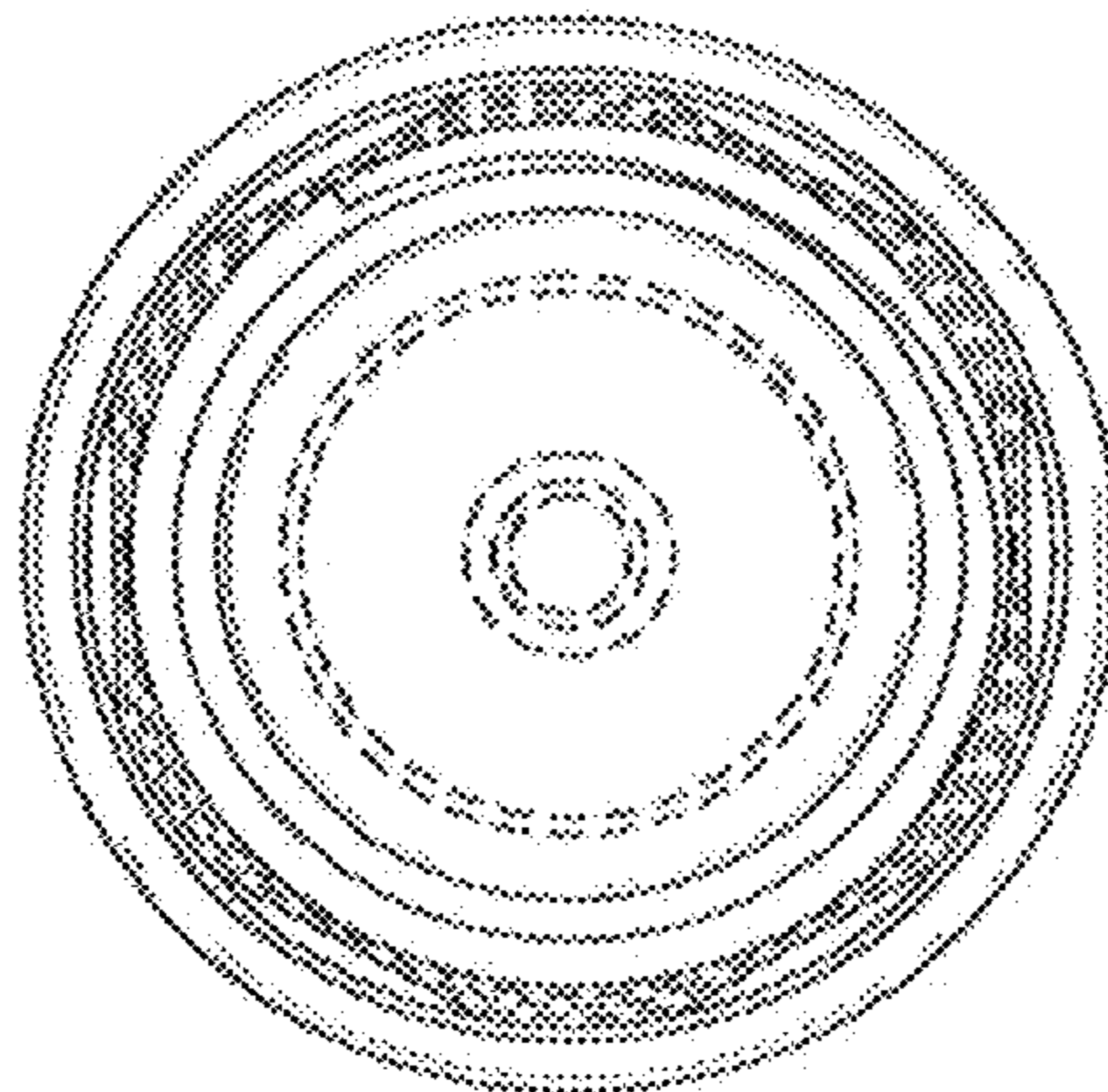


FIG. 8