



US00D757217S

(12) **United States Design Patent**
Park

(10) **Patent No.:** **US D757,217 S**

(45) **Date of Patent:** **** May 24, 2016**

(54) **BALL VALVE**
(71) Applicant: **Jae yeon Park**, Busan (KR)
(72) Inventor: **Jae yeon Park**, Busan (KR)
(**) Term: **15 Years**

7,044,148 B2 * 5/2006 Berger F16K 35/06
137/15.08
D522,618 S * 6/2006 Matsushita D23/233
D588,232 S * 3/2009 Giacomini D23/233
D723,660 S * 3/2015 Hatta D23/233
8,997,536 B2 * 4/2015 Fuller F16K 35/10
137/385
2014/0021394 A1 * 1/2014 Street F16K 27/067
251/315.01

(21) Appl. No.: **29/529,891**

* cited by examiner

(22) Filed: **Jun. 11, 2015**

Primary Examiner — Cynthia Ramirez

Assistant Examiner — Gino Colan

(30) **Foreign Application Priority Data**

Apr. 10, 2015 (KR) 30-2015-0018457

(74) *Attorney, Agent, or Firm* — Park & Associates IP Law,
P.C.

(51) **LOC (10) Cl.** **23-01**

(57) **CLAIM**

(52) **U.S. Cl.**
USPC **D23/236**

The ornamental design for a ball valve, as shown and described.

(58) **Field of Classification Search**
USPC D23/233-269; 137/398, 545, 54, 549,
137/62, 385, 505.42, 505.12, 318, 315.18,
137/533.11, 539, 312, 15.08; 251/315.01,
251/315.16, 356, 148, 214, 95
CPC F16K 15/183; F16K 1/14
See application file for complete search history.

DESCRIPTION

FIG. 1 is a perspective view of a ball valve in accordance with the new design;
FIG. 2 is a front view thereof;
FIG. 3 is a rear view thereof;
FIG. 4 is a left side view thereof;
FIG. 5 is a right side view thereof;
FIG. 6 is a top plan view thereof;
FIG. 7 is a bottom plan view thereof; and,
FIG. 8 is a bottom perspective view thereof.
The broken line shown in the figures are included for the purpose of illustrating portions of the ball valve and form no part of the claimed design.

(56) **References Cited**

U.S. PATENT DOCUMENTS

4,023,773 A * 5/1977 Wise F16K 5/0605
251/148
5,785,074 A * 7/1998 Kieper F16K 5/0605
137/312
6,260,819 B1 * 7/2001 Ovsepyan F16K 35/06
251/95

1 Claim, 7 Drawing Sheets

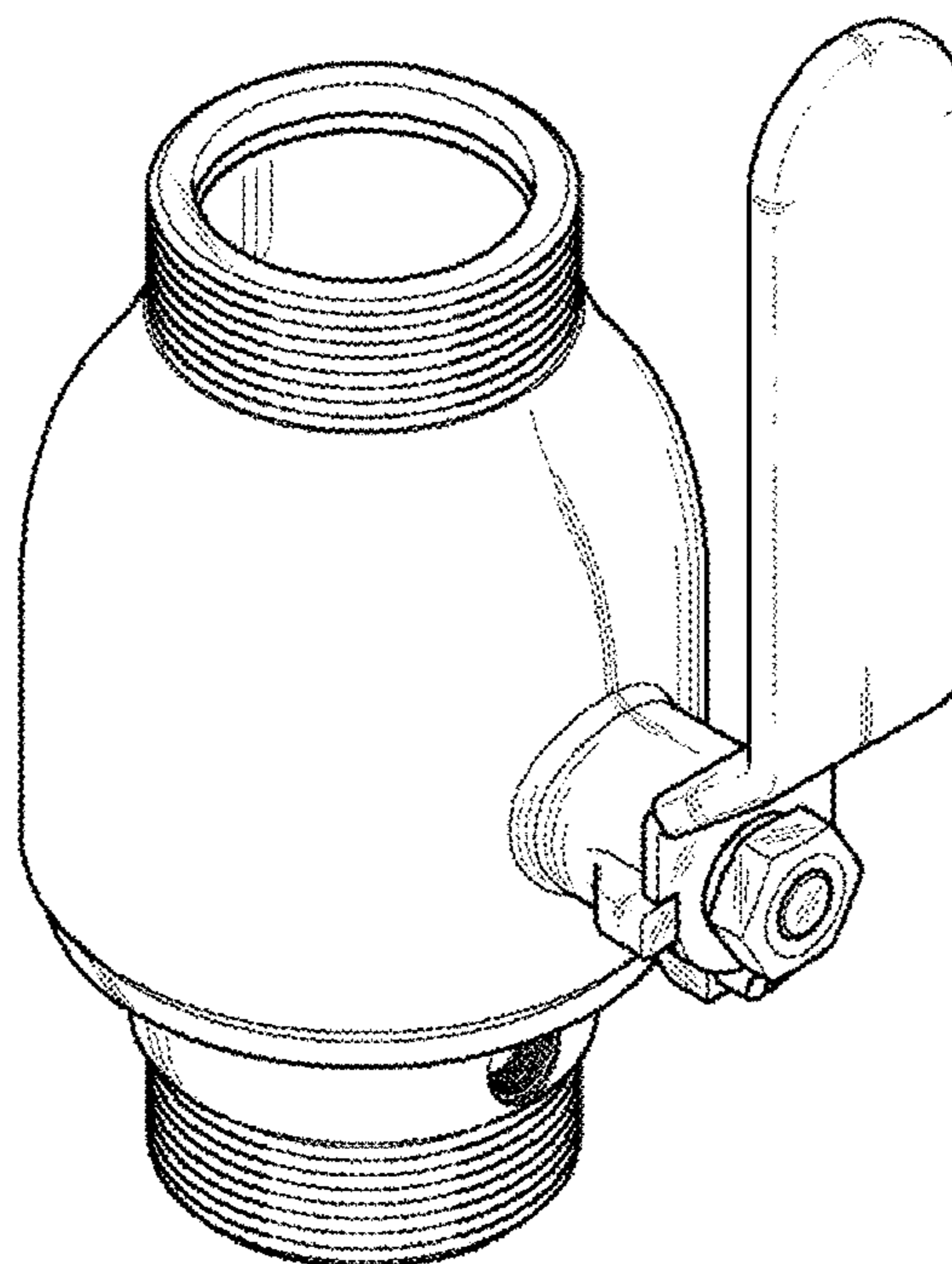


FIG. 1

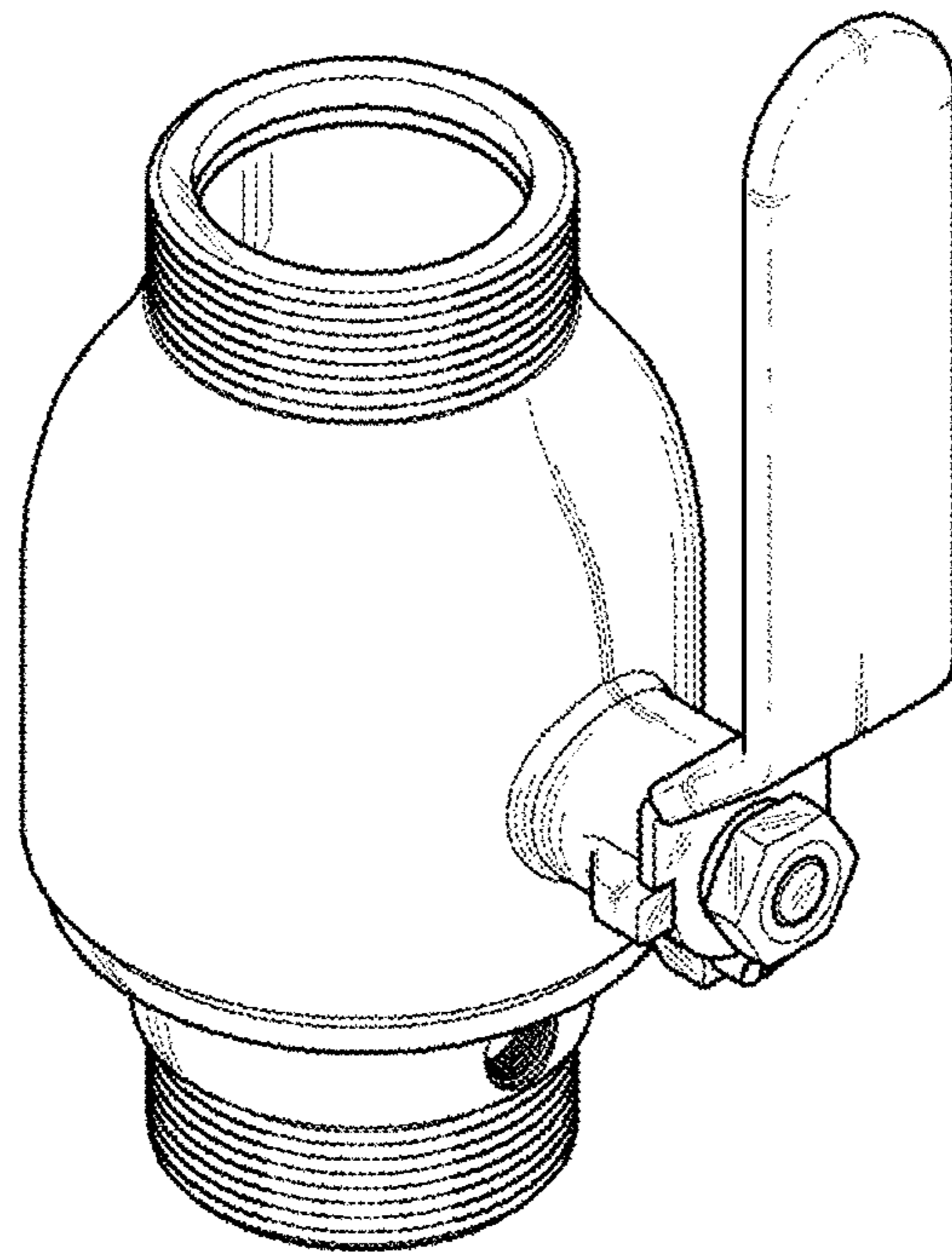


FIG. 2

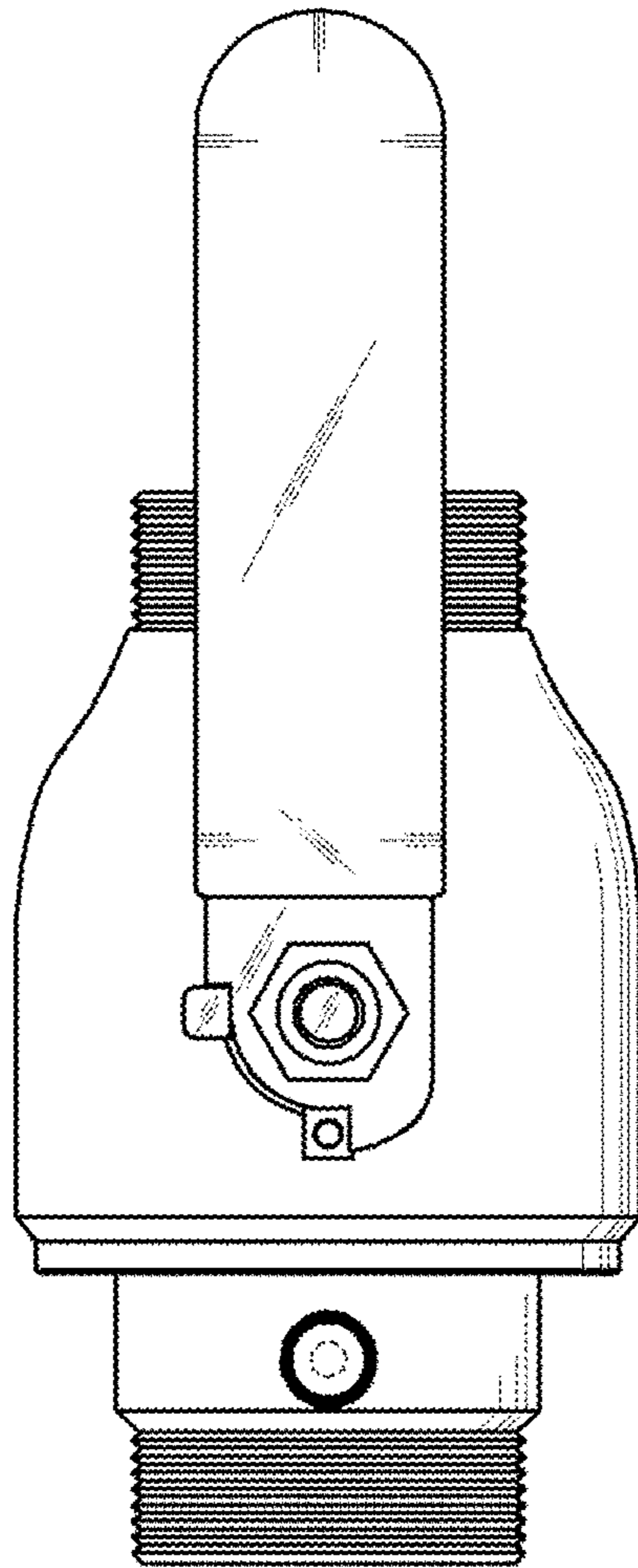


FIG. 3

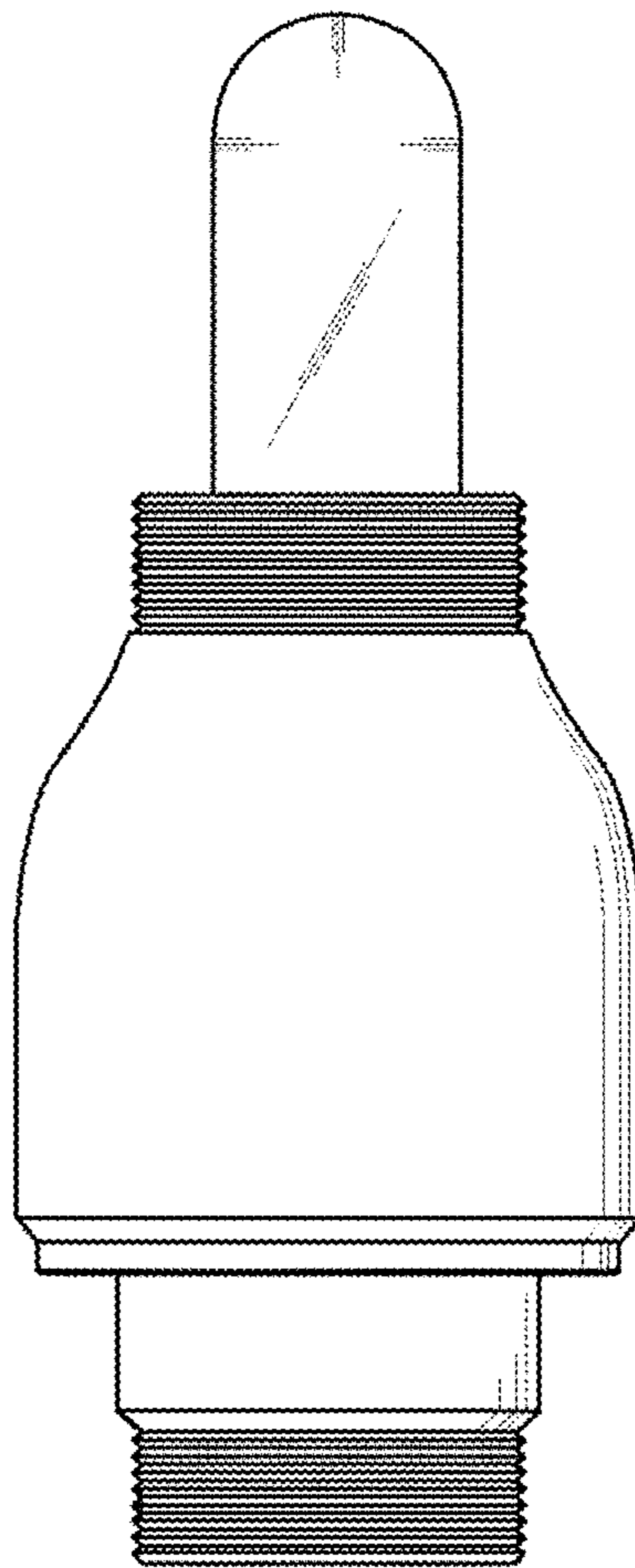


FIG. 4

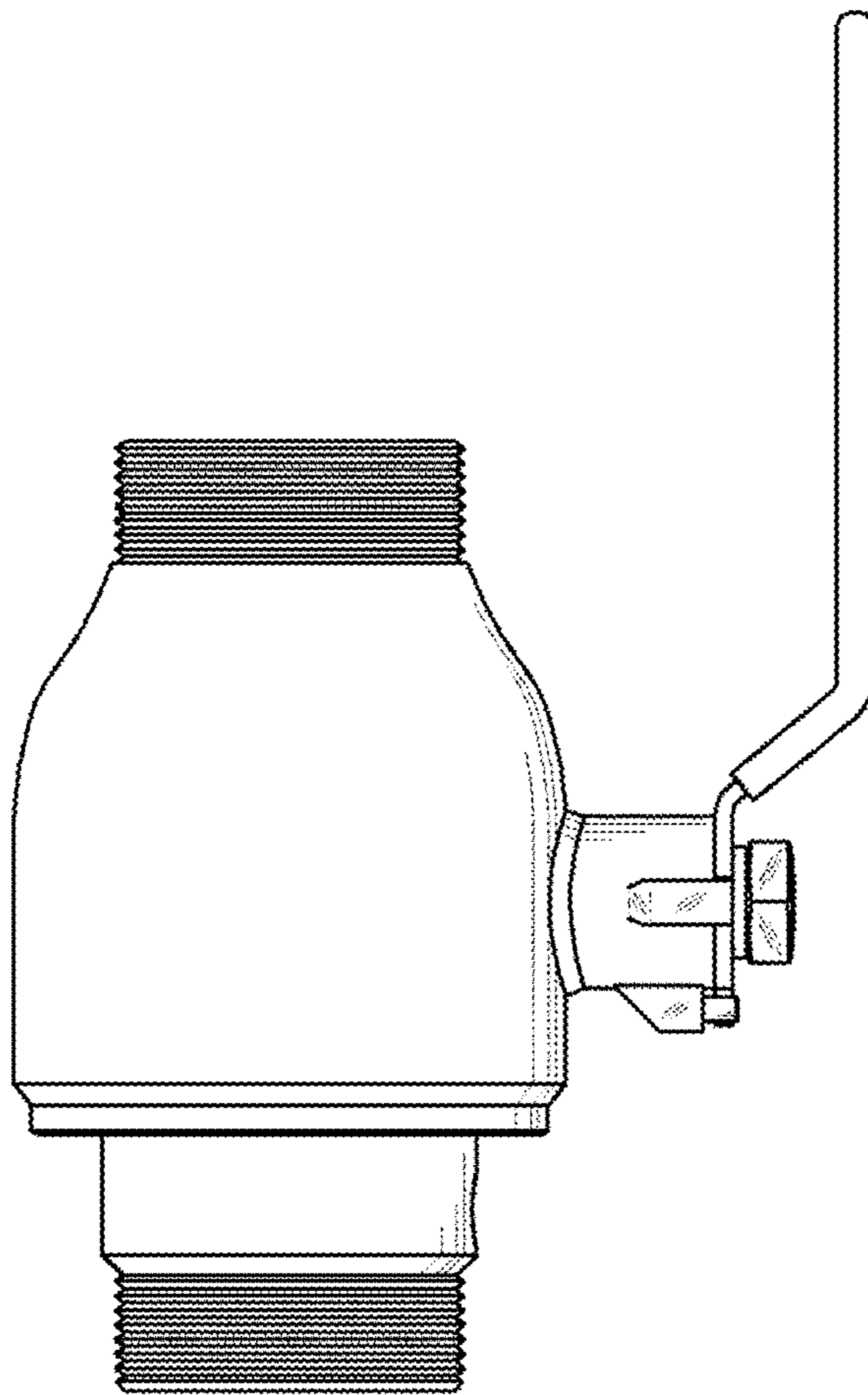


FIG. 5

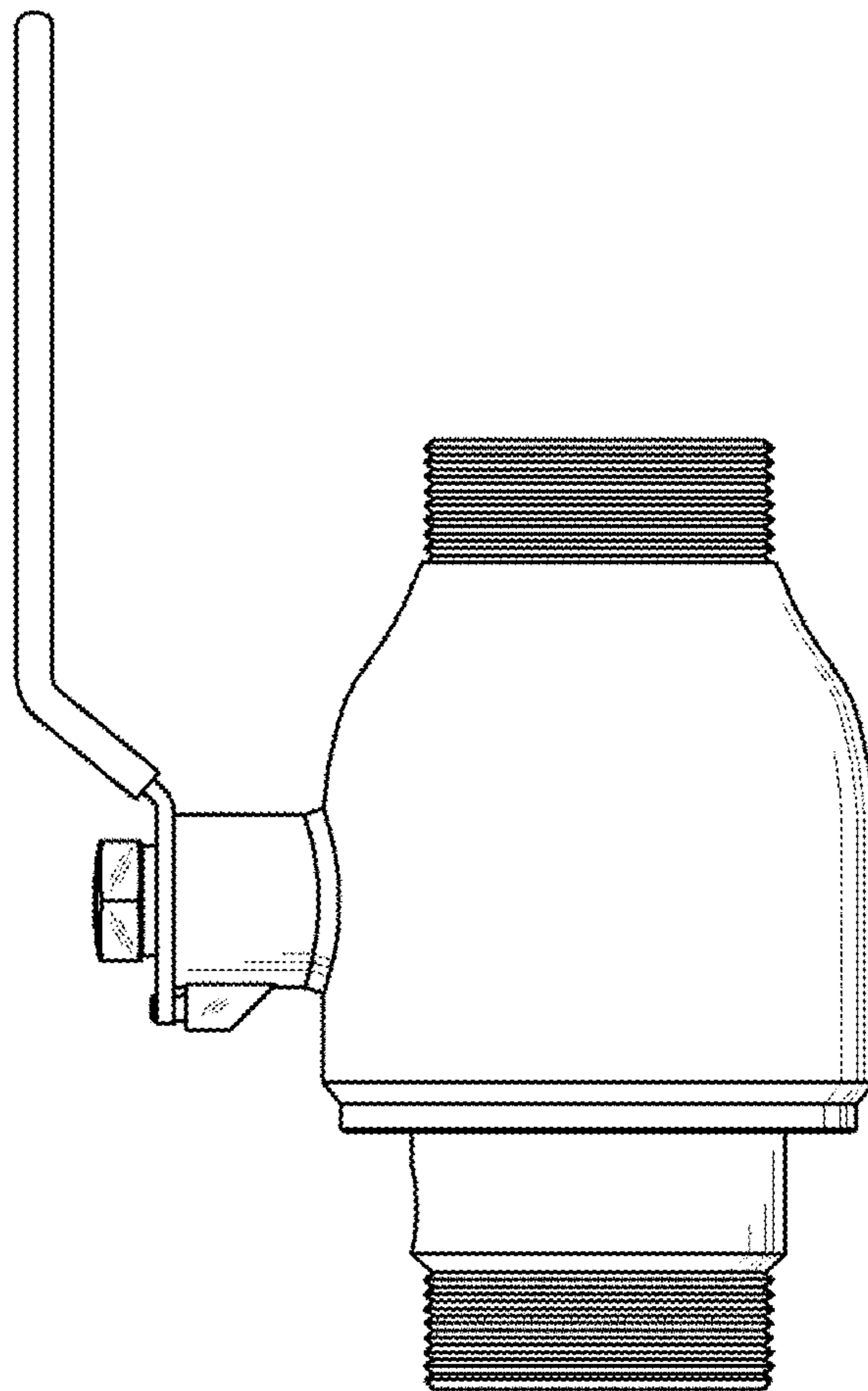


FIG. 6

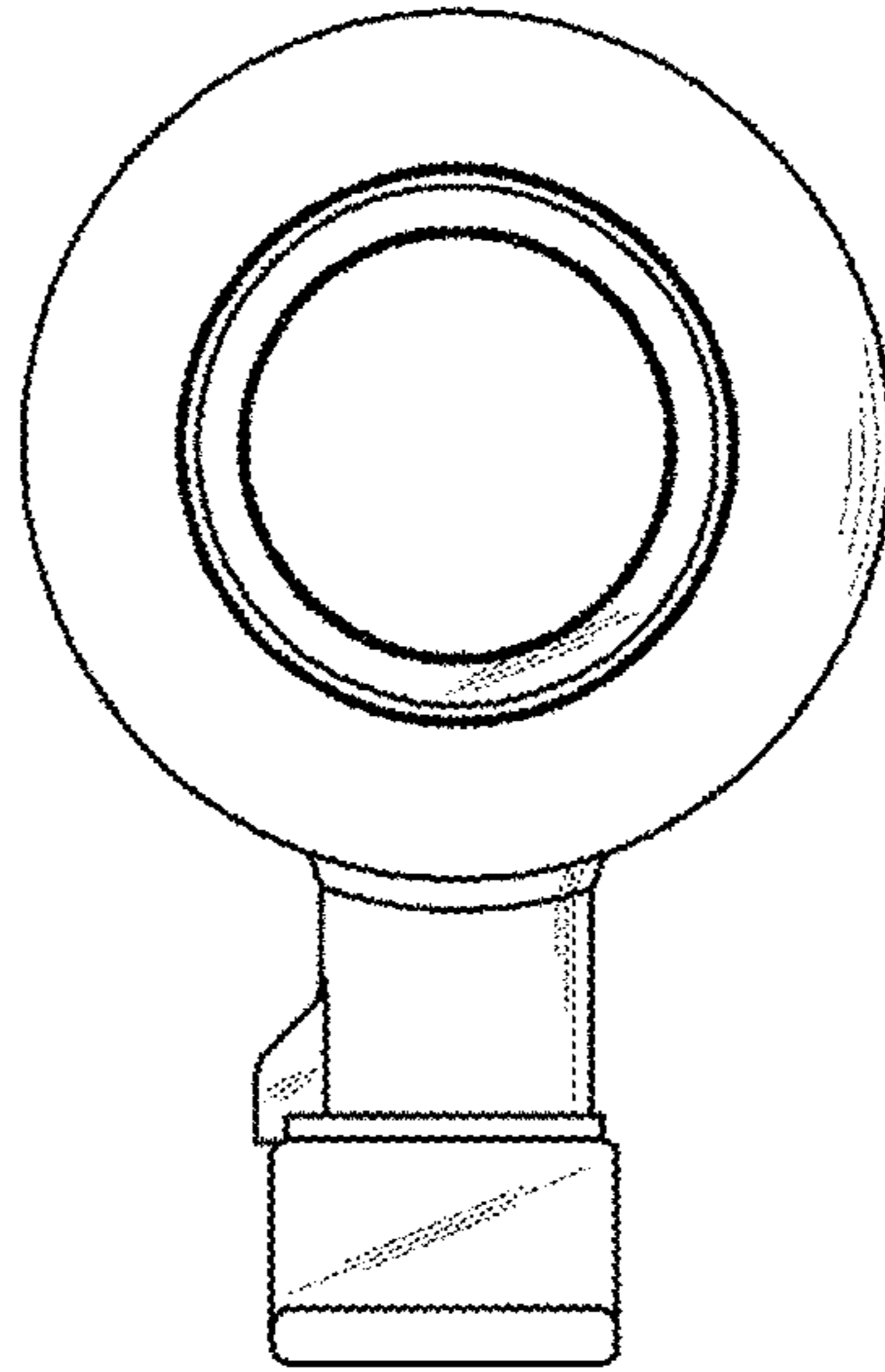


FIG. 7

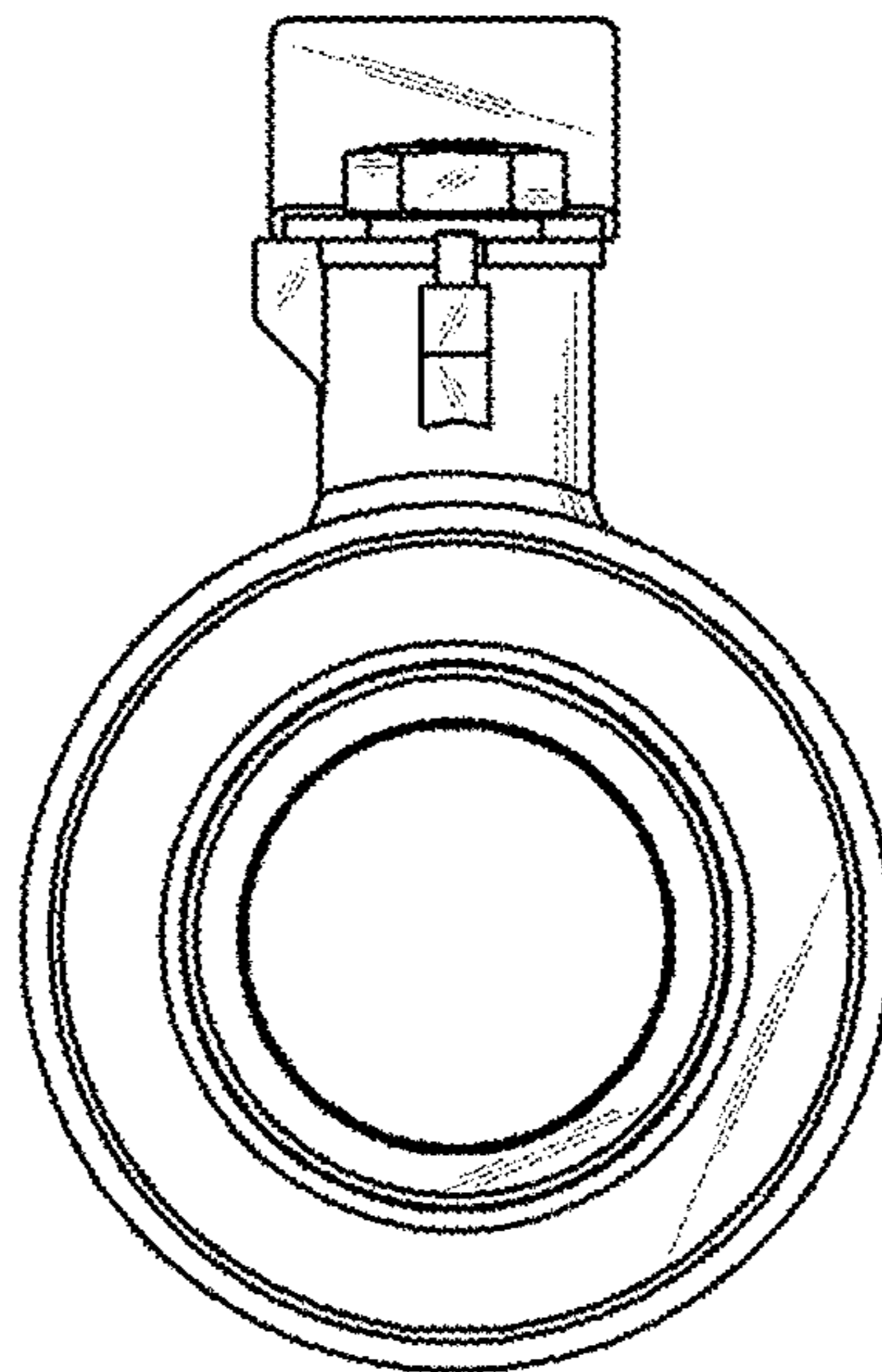


FIG. 8

