



US00D757216S

(12) **United States Design Patent**
Gehrung

(10) **Patent No.:** **US D757,216 S**

(45) **Date of Patent:** **** May 24, 2016**

(54) **PAINT SPRAY GUN**

(71) Applicant: **SATA GmbH & Co. KG**, Kornwestheim (DE)

(72) Inventor: **Ralf Gehrung**, Stuttgart (DE)

(73) Assignee: **SATA GmbH & Co. KG**, Kornwestheim (DE)

(**) Term: **15 Years**

(21) Appl. No.: **29/539,615**

(22) Filed: **Sep. 16, 2015**

Related U.S. Application Data

(62) Division of application No. 29/486,232, filed on Mar. 27, 2014, now Pat. No. Des. 740,393.

(30) **Foreign Application Priority Data**

Sep. 27, 2013 (CN) 2013 3 0462576

(51) **LOC (10) Cl.** **23-01**

(52) **U.S. Cl.**
USPC **D23/226**; D23/225

(58) **Field of Classification Search**
USPC D23/213, 223, 226, 225; 239/690, 239/690.1, 290, 291; 361/227, 228
CPC B05B 5/1691; B05B 5/043; B05B 7/2408; B05B 7/241

See application file for complete search history.

(56) **References Cited**

U.S. PATENT DOCUMENTS

5,533,674 A *	7/1996	Feyrer	B05B 1/005 239/288.5
7,175,110 B2 *	2/2007	Vicentini	B05B 7/2478 239/302
D692,532 S *	10/2013	Li	D23/225
D698,008 S *	1/2014	Schmon	D23/225
D704,300 S *	5/2014	Li	D23/225

* cited by examiner

Primary Examiner — Robin V Webster

(74) *Attorney, Agent, or Firm* — Paul D. Bianco; Lourdes Perez; Fleit Gibbons Gutman Bongini & Bianco PL

(57) **CLAIM**

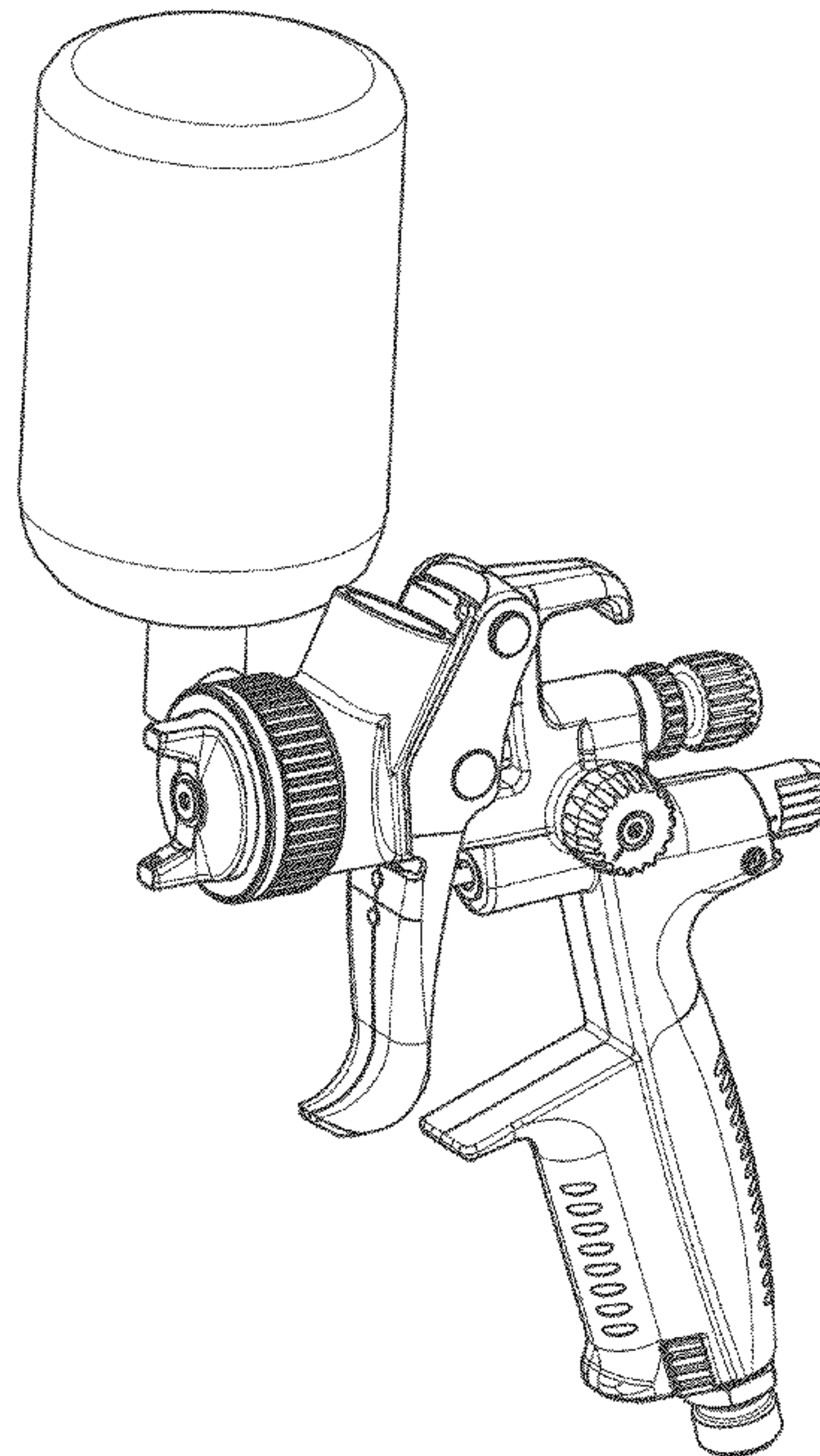
The ornamental design for a paint spray gun, as shown and described.

DESCRIPTION

FIG. 1 is a rear, top, and right-side perspective view of a paint spray gun according to the present invention;
FIG. 2 is a left-side elevational view of the paint spray gun of FIG. 1;
FIG. 3 is a right-side elevational view of the paint spray gun of FIG. 1;
FIG. 4 is a front elevational view of the paint spray gun of FIG. 1;
FIG. 5 is a rear elevational view of the paint spray gun of FIG. 1;
FIG. 6 is a top planar view of the paint spray gun of FIG. 1; and,
FIG. 7 is a bottom planar view of the paint spray gun of FIG. 1.

The contour lines in the drawings are intended to represent the approximate three-dimensional contours of the design and also do not form part of the claimed design.

1 Claim, 7 Drawing Sheets



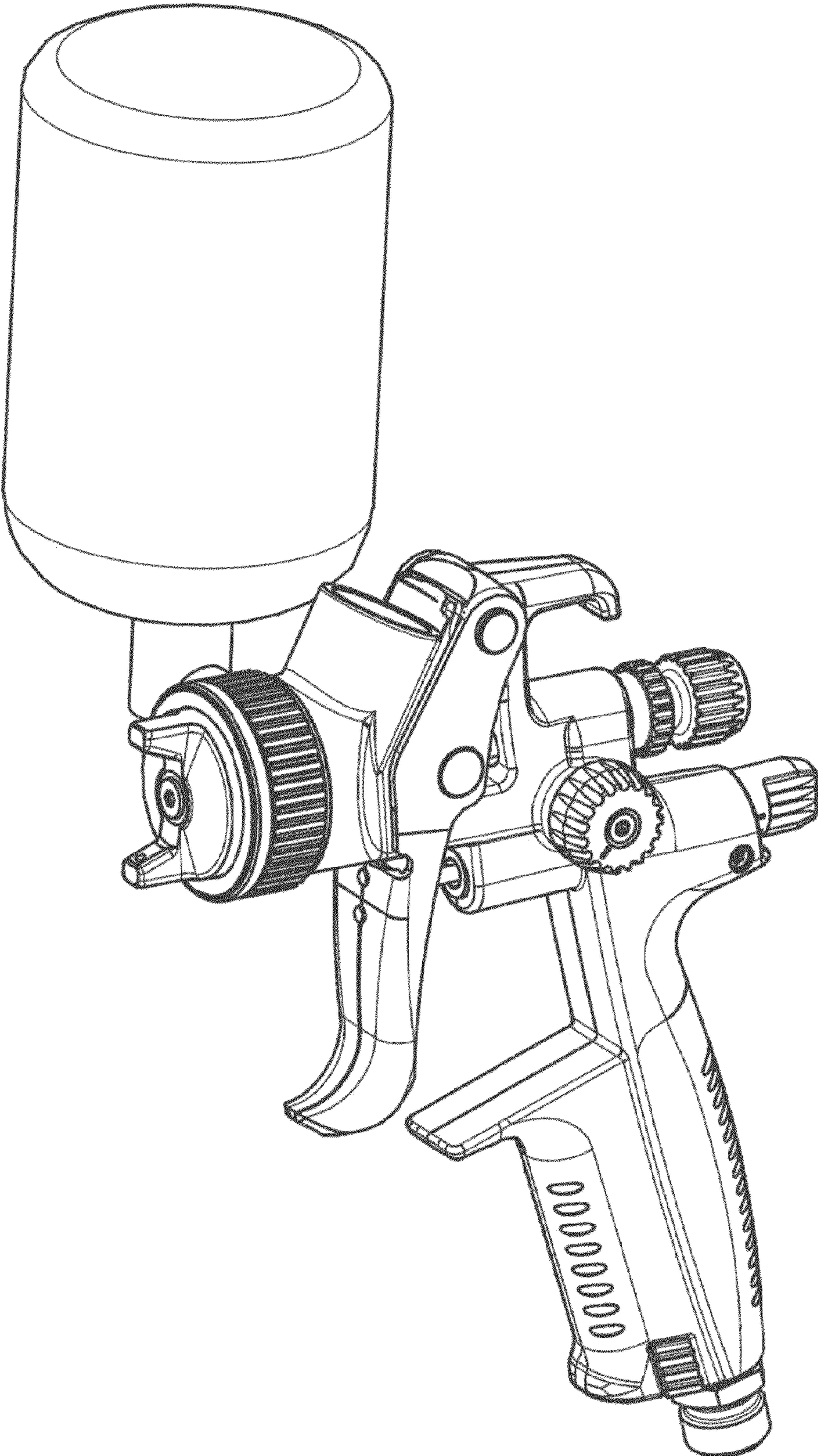


FIG. 1

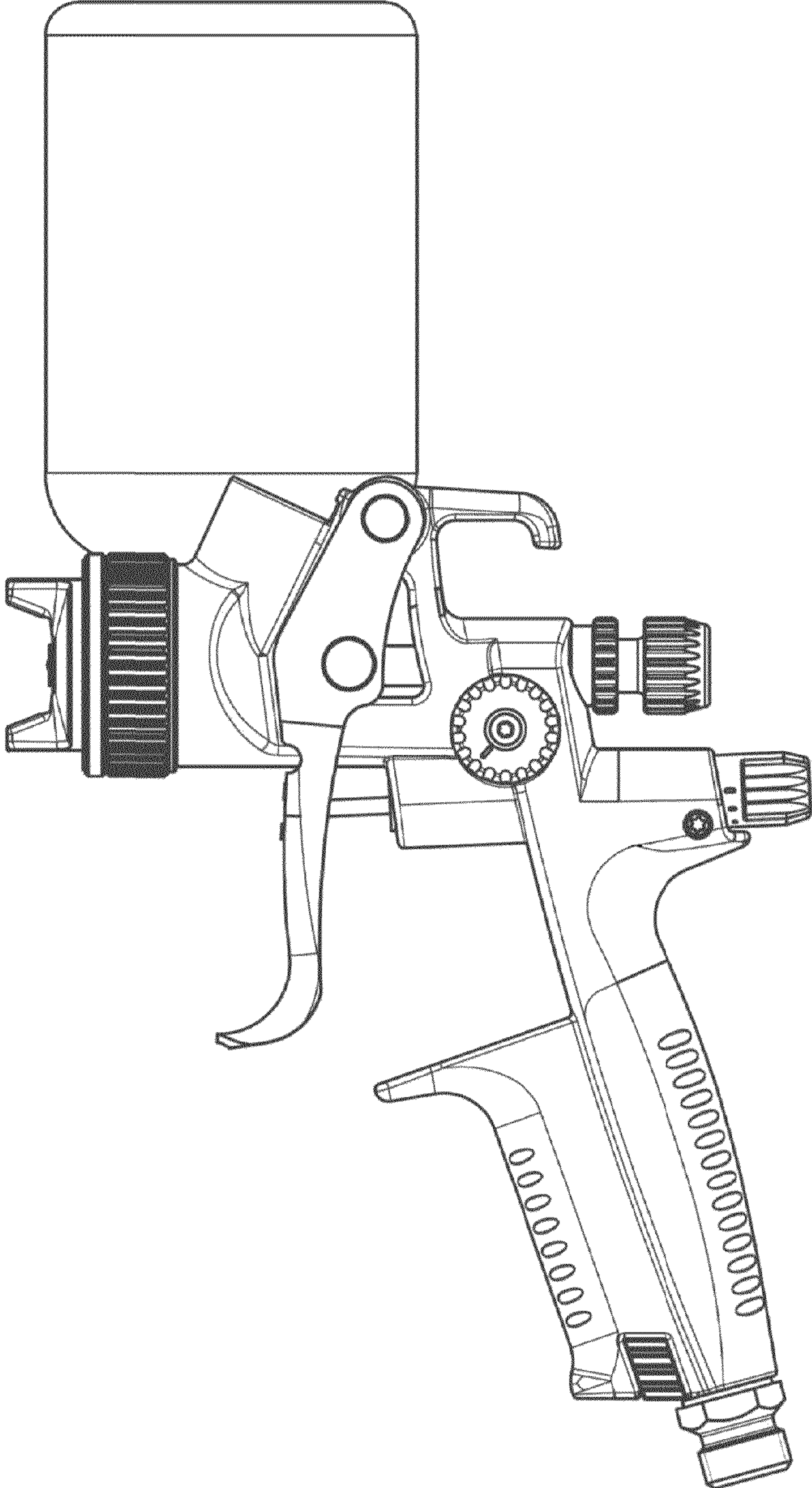


FIG. 2

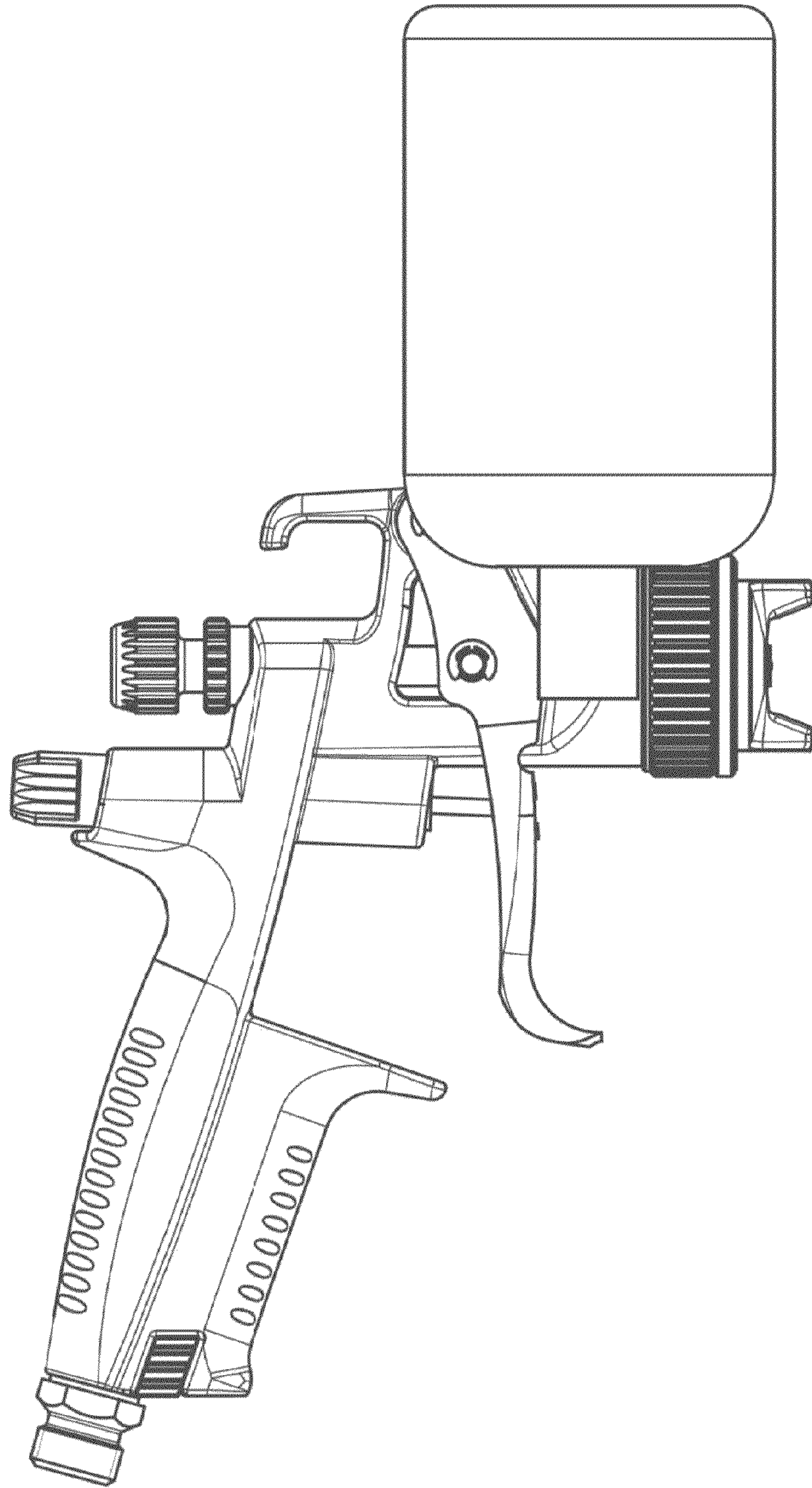


FIG. 3

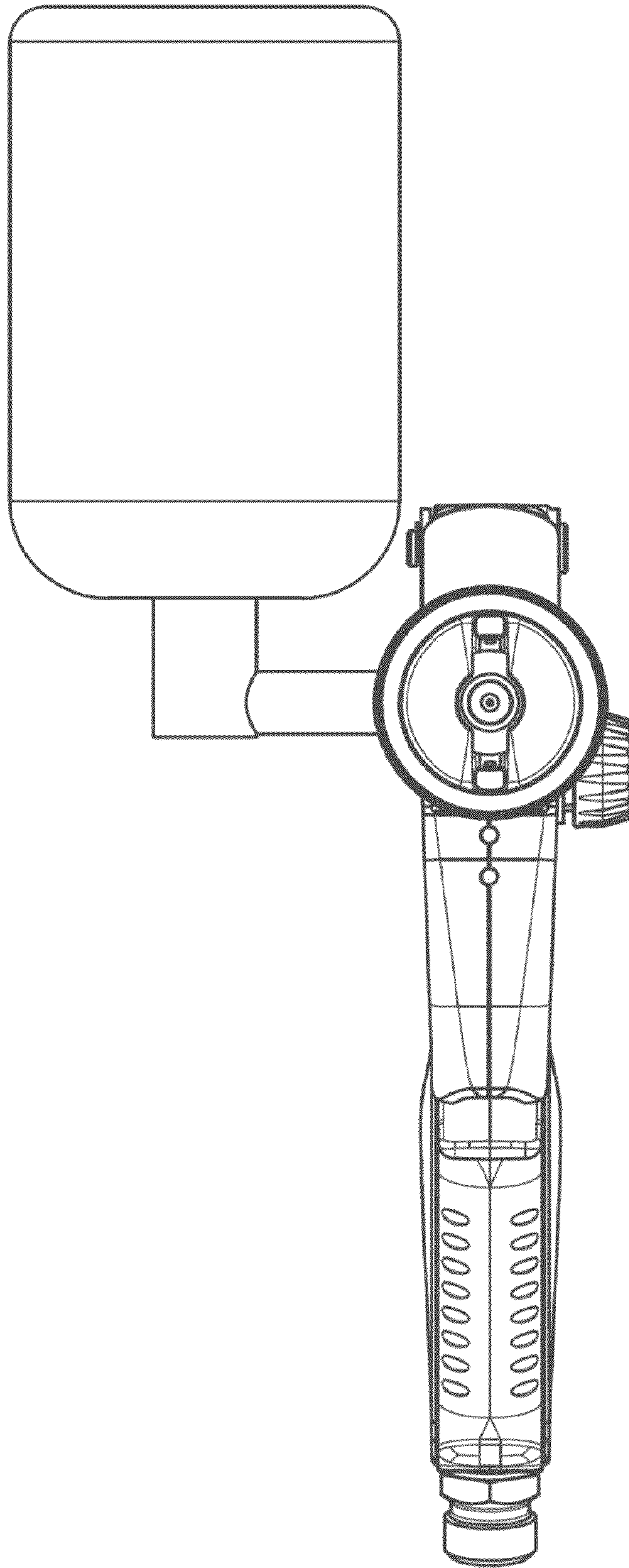


FIG. 4

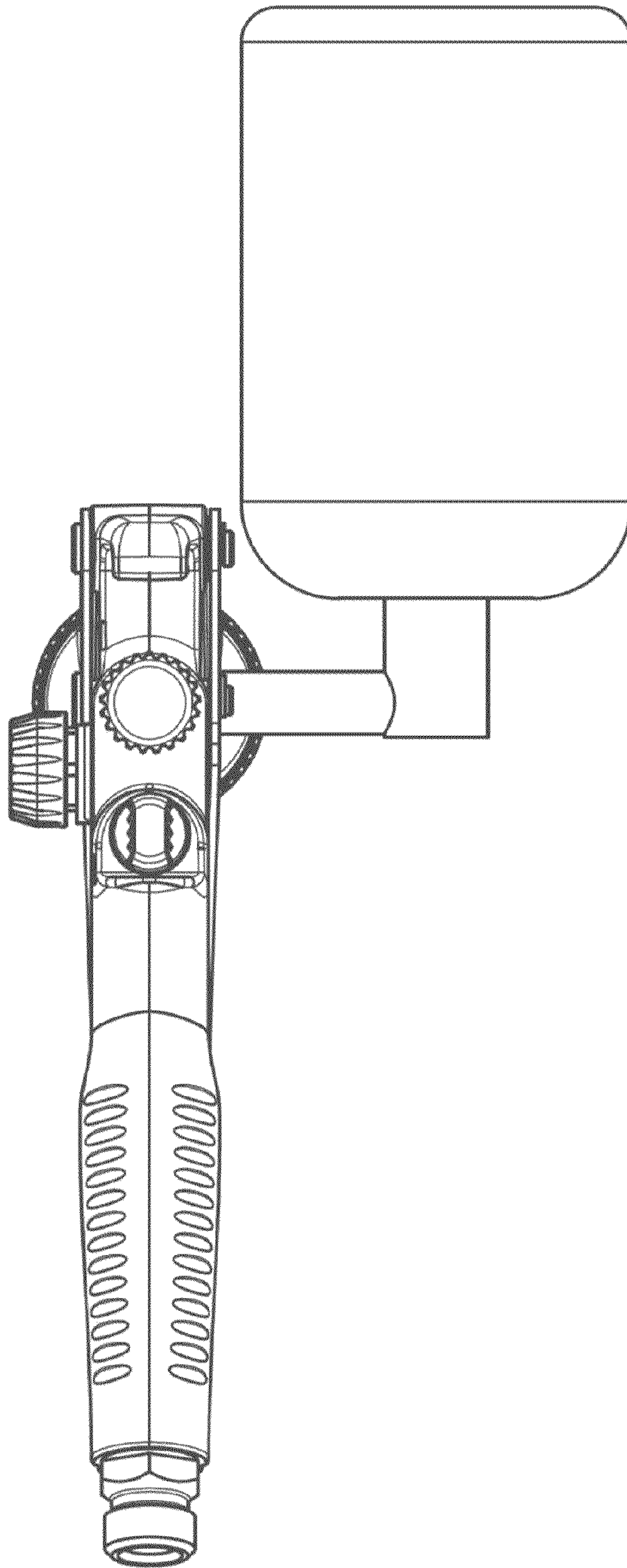


FIG. 5

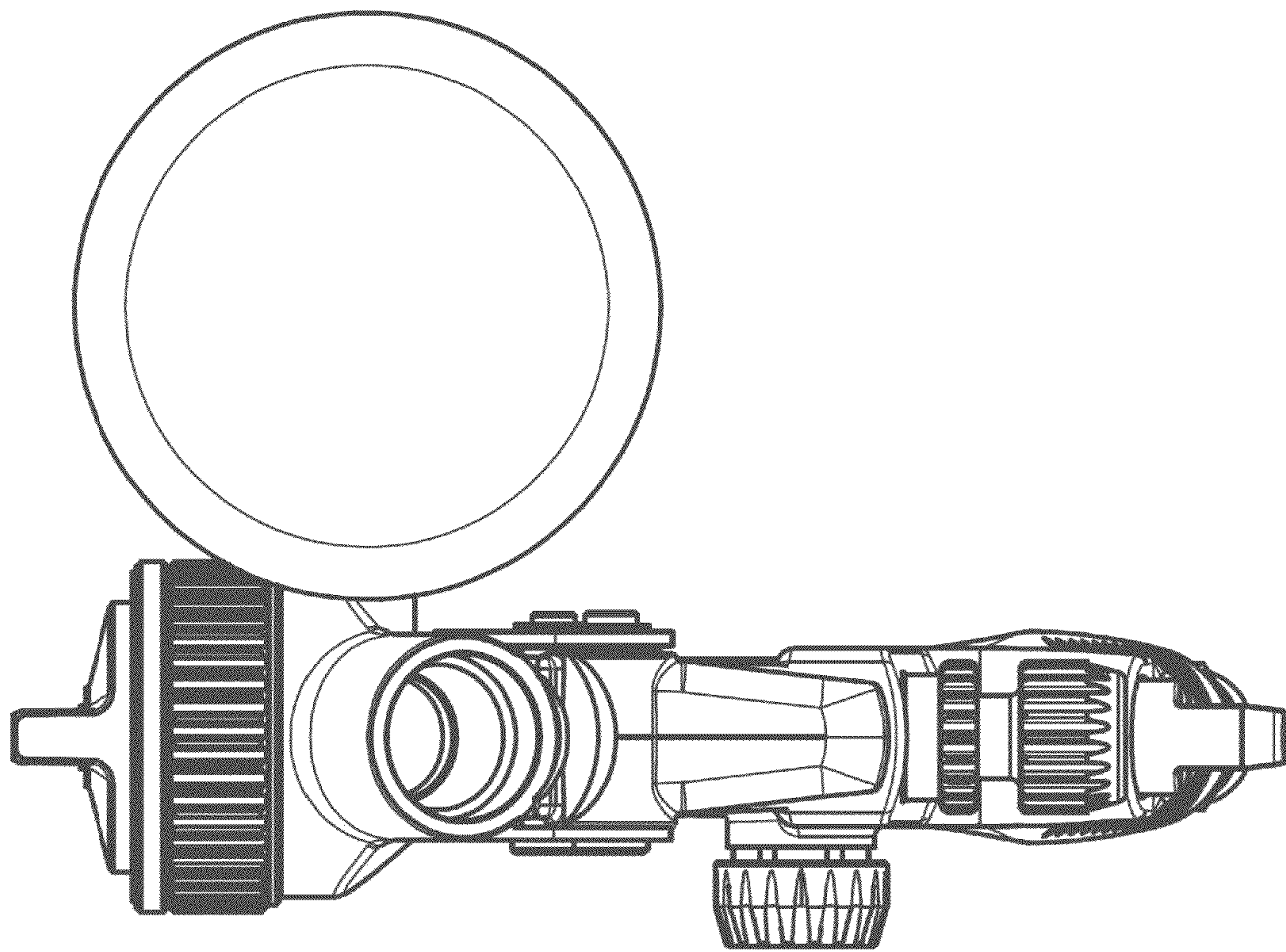


FIG. 6

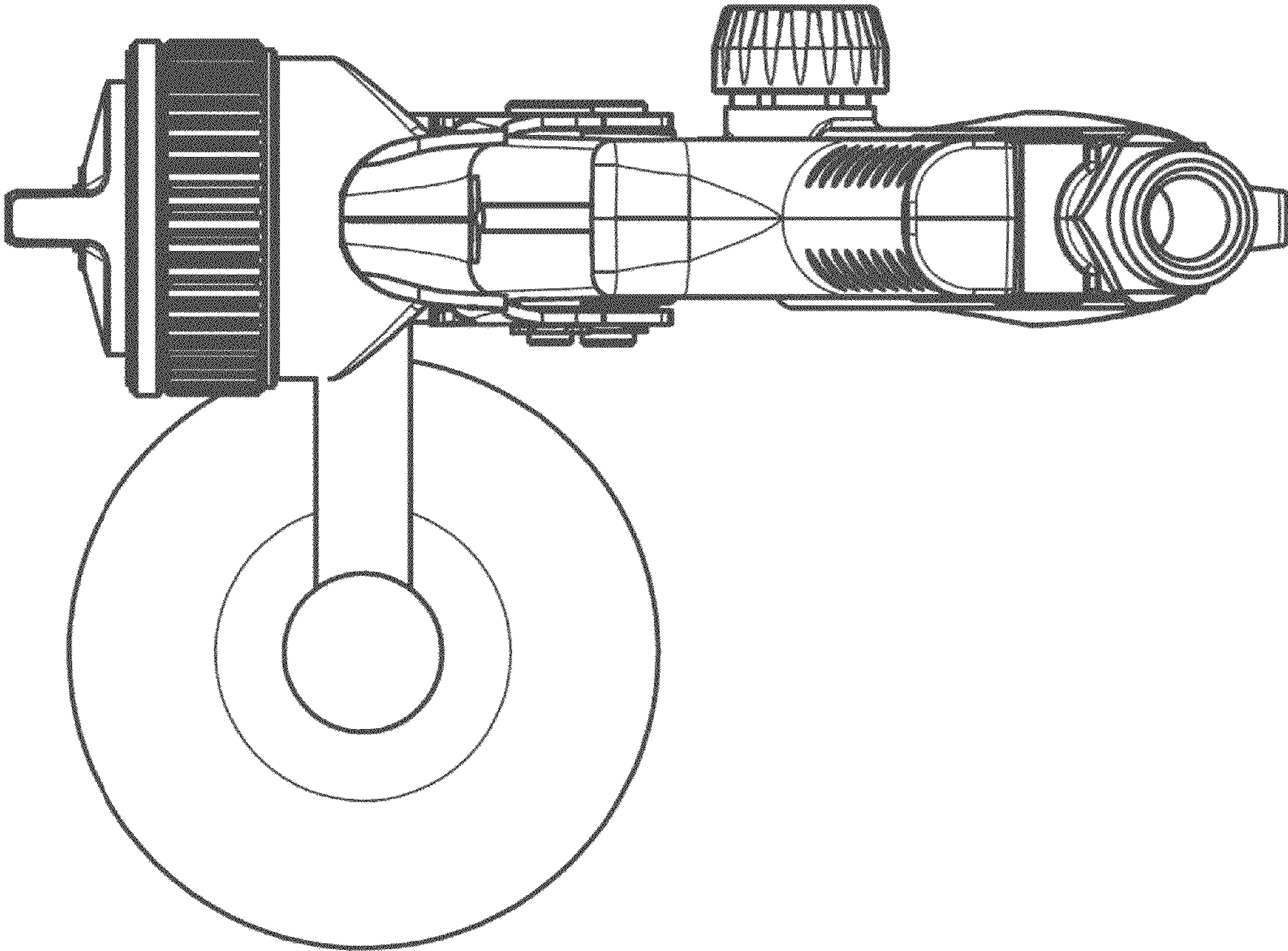


FIG. 7