



US00D757215S

(12) **United States Design Patent**
Gehrung et al.

(10) **Patent No.:** **US D757,215 S**
(45) **Date of Patent:** **** May 24, 2016**

(54) **MARKING PIECE FOR PAINT SPRAY GUN**

OTHER PUBLICATIONS

(71) Applicant: **SATA GmbH & Co. KG**, Kornwestheim (DE)

Office Action dated Oct. 28, 2011 for Design U.S. Appl. No. 29/385,203.

(Continued)

(72) Inventors: **Ralf Gehrung**, Stuttgart (DE); **Peter Dettlaff**, Remseck (DE)

Primary Examiner — Robin V Webster

(74) *Attorney, Agent, or Firm* — Paul D. Bianco; Lourdes Perez; Fleit Gibbons Gutman Bongini & Bianco PL

(73) Assignee: **SATA GMBH & CO. KG**, Kornwestheim (DE)

(57) **CLAIM**

The ornamental design for a marking piece for paint spray gun, as shown and described.

(**) Term: **14 Years**

DESCRIPTION

(21) Appl. No.: **29/516,084**

(22) Filed: **Jan. 29, 2015**

(30) **Foreign Application Priority Data**

Jul. 31, 2014 (CN) 2014 3 0266730

(51) **LOC (10) Cl.** **23-01**

(52) **U.S. Cl.**
USPC **D23/226; D8/394**

(58) **Field of Classification Search**
USPC D23/213, 223, 226; 239/690, 690.1, 239/290, 291; 361/227, 228; D8/394, 395
CPC B05B 5/1691; B05B 5/043; B05B 7/2408; B05B 7/241

See application file for complete search history.

(56) **References Cited**

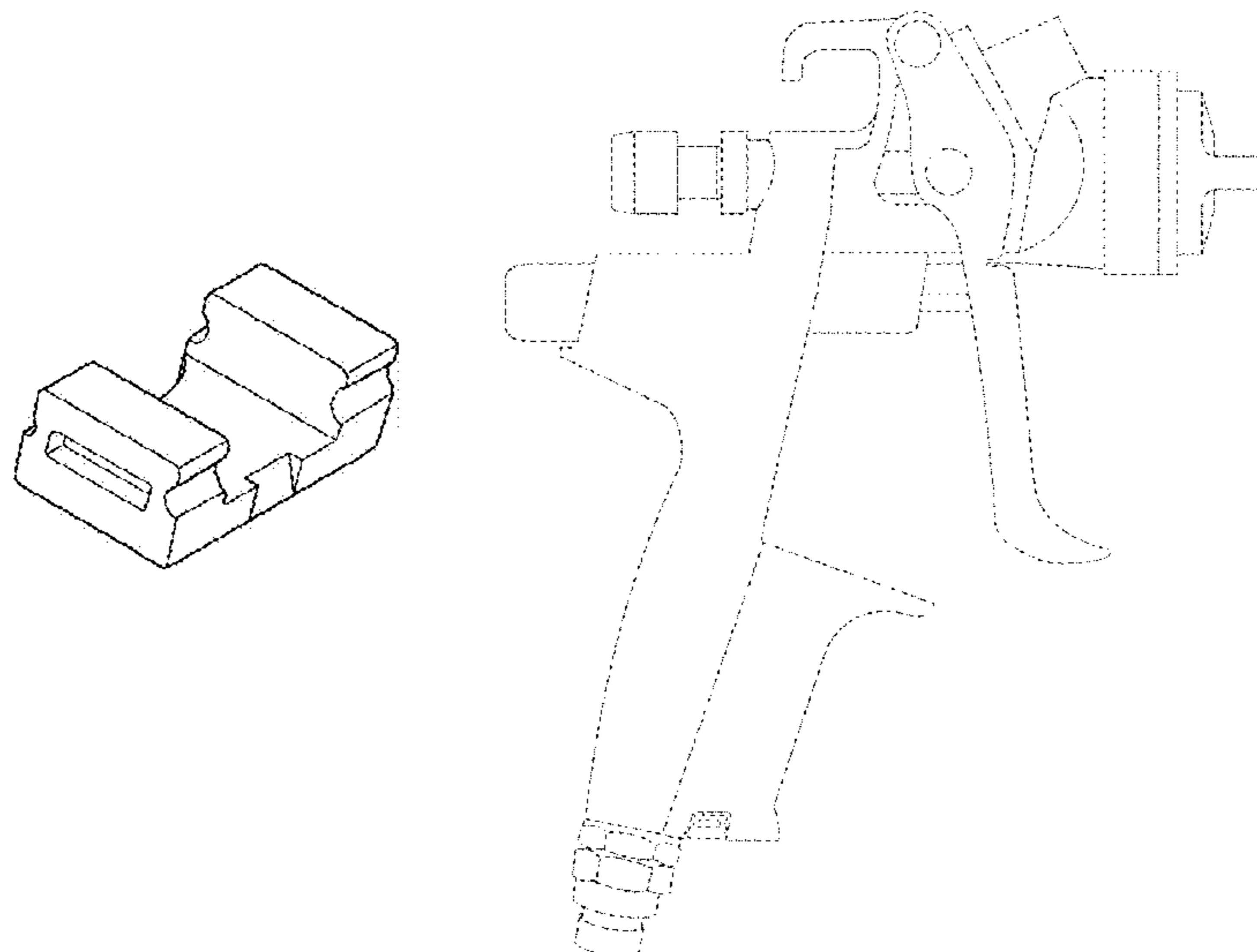
U.S. PATENT DOCUMENTS

D261,292 S	*	10/1981	Tong	D21/565
D277,168 S	*	1/1985	Clausen	D14/483
D284,920 S	*	8/1986	Van Horn	D8/382
D393,201 S		4/1998	Hearidge et al.		
D412,965 S		8/1999	Kieffer		
D519,687 S		4/2006	Zahav		

(Continued)

FIG. 1 is a first perspective view of a marking piece for a paint spray gun according to the present invention;
 FIG. 2 is a second perspective view of the marking piece for a paint spray gun of FIG. 1;
 FIG. 3 is a back view of the marking piece for a paint spray gun of FIG. 1;
 FIG. 4 is a left side view of the marking piece for a paint spray gun of FIG. 1;
 FIG. 5 is a top view of the marking piece for a paint spray gun of FIG. 1;
 FIG. 6 is a right side view of the marking piece for a paint spray gun of FIG. 1;
 FIG. 7 is a bottom view of the marking piece for a paint spray gun of FIG. 1;
 FIG. 8 is a front view of the marking piece for a paint spray gun of FIG. 1;
 FIG. 9 is a left side view of a paint spray gun with the marking piece for a paint spray gun of FIG. 1;
 FIG. 10 is a right side view of a paint spray gun with the marking piece for a paint spray gun of FIG. 1; and,
 FIG. 11 is a bottom view of a paint spray gun with the marking piece for a paint spray gun of FIG. 1.
 The features shown in broken lines are for illustrative purposes only and form no part of the claimed design.

1 Claim, 6 Drawing Sheets



(56)

References Cited

U.S. PATENT DOCUMENTS

7,194,829 B2 3/2007 Boire et al.
D549,058 S 8/2007 Shibata et al.
D571,195 S * 6/2008 Larsen D8/394
D571,463 S 6/2008 Chesnin
D589,337 S 3/2009 Karlsson
D628,055 S 11/2010 Mills
D638,121 S 5/2011 Villasana
D640,536 S * 6/2011 Larsen D8/394
D644,716 S 9/2011 Gehrung
D655,347 S 3/2012 Gehrung
D658,977 S 5/2012 Riddell et al.

D696,104 S * 12/2013 Kampl D8/394
D721,785 S 1/2015 Gehrung
2003/0066218 A1 4/2003 Schweikert
2008/0019789 A1 1/2008 Dunaway et al.

OTHER PUBLICATIONS

Response filed Dec. 27, 2011 to Office Action dated Oct. 28, 2011 for Design U.S. Appl. No. 29/385,203.
Notice of Allowance dated Jan. 6, 2012 for Design U.S. Appl. No. 29/385,203.
Notice of Allowance dated Nov. 19, 2014 for Design U.S. Appl. No. 29/486,223.

* cited by examiner

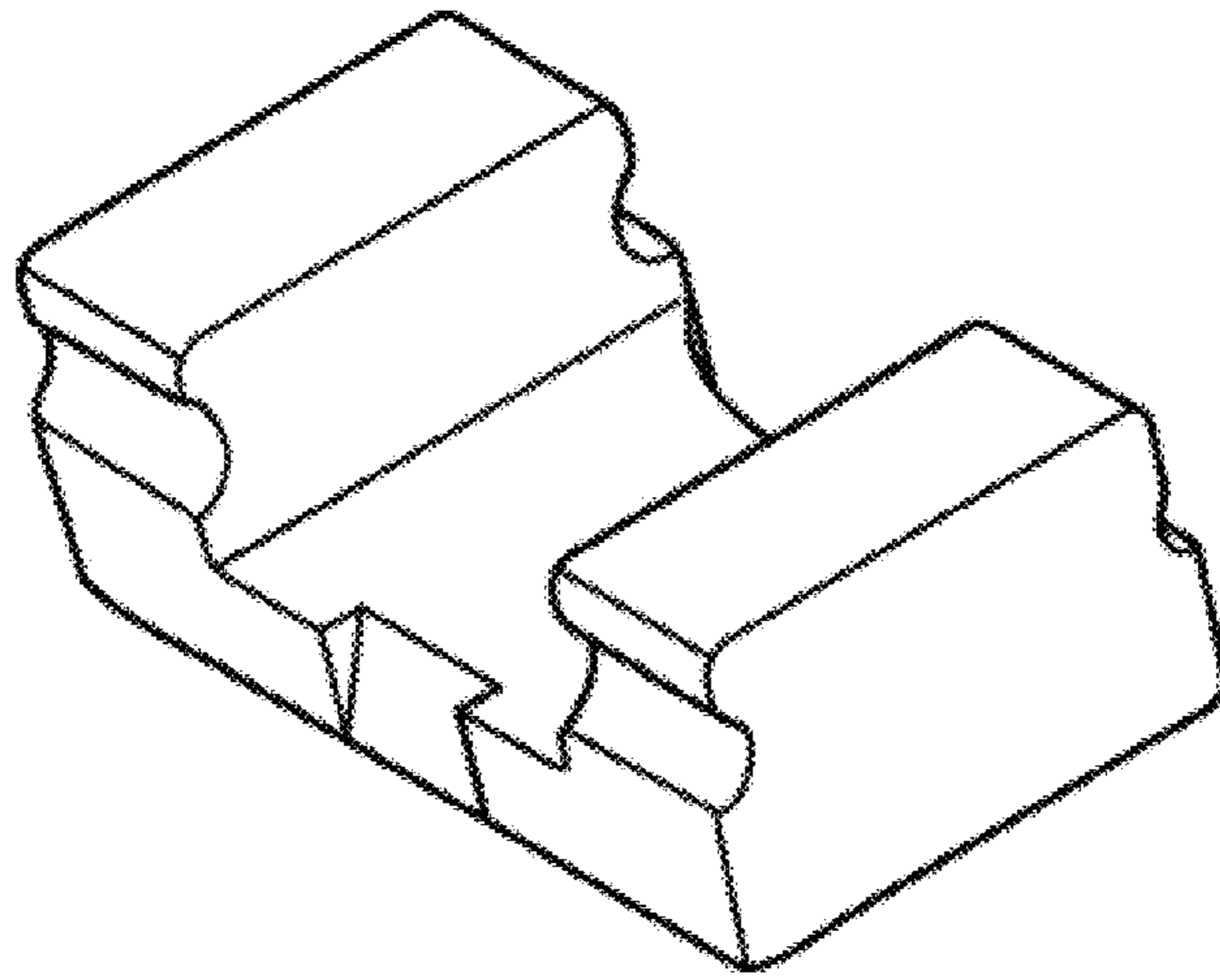


FIG. 1

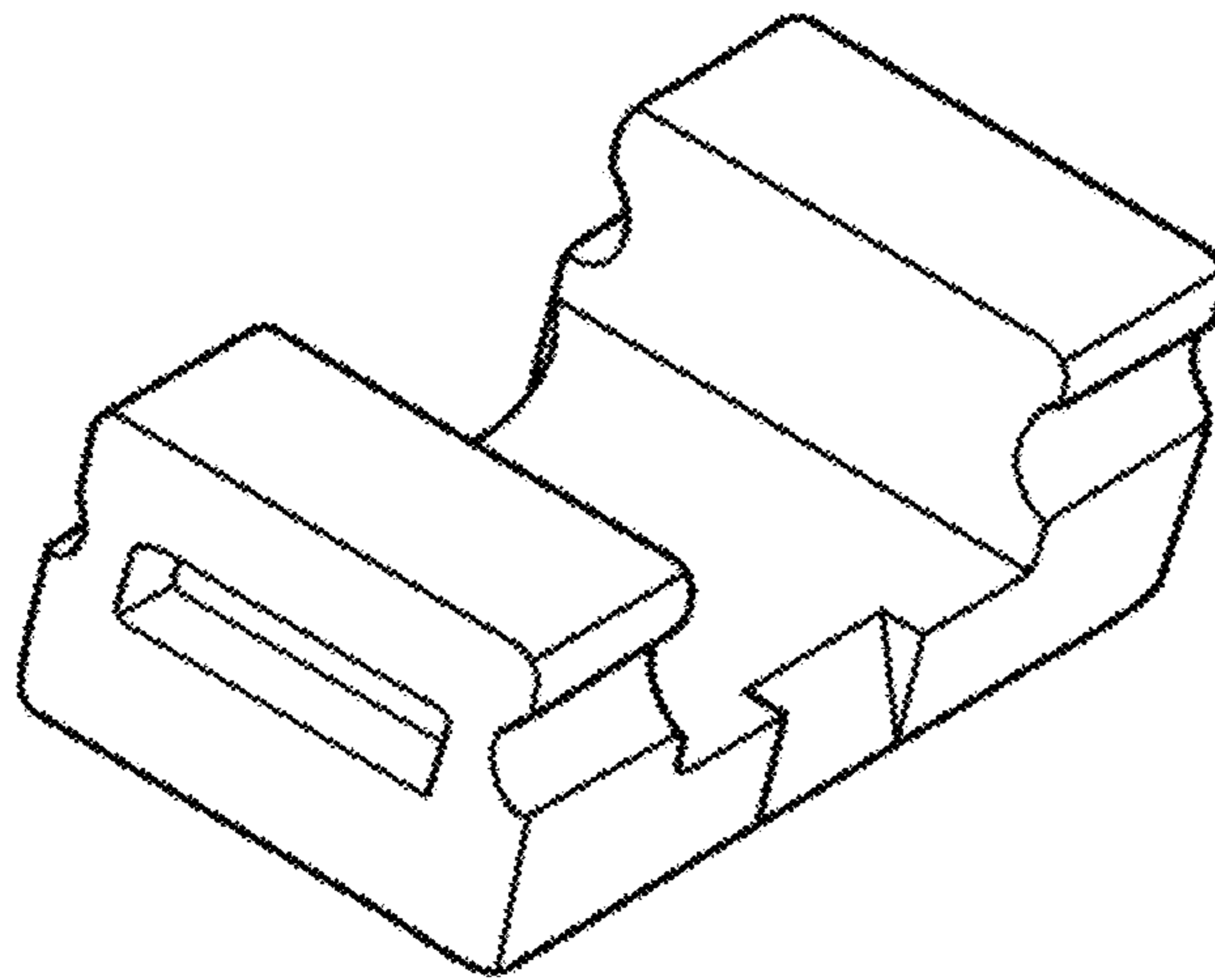


FIG. 2

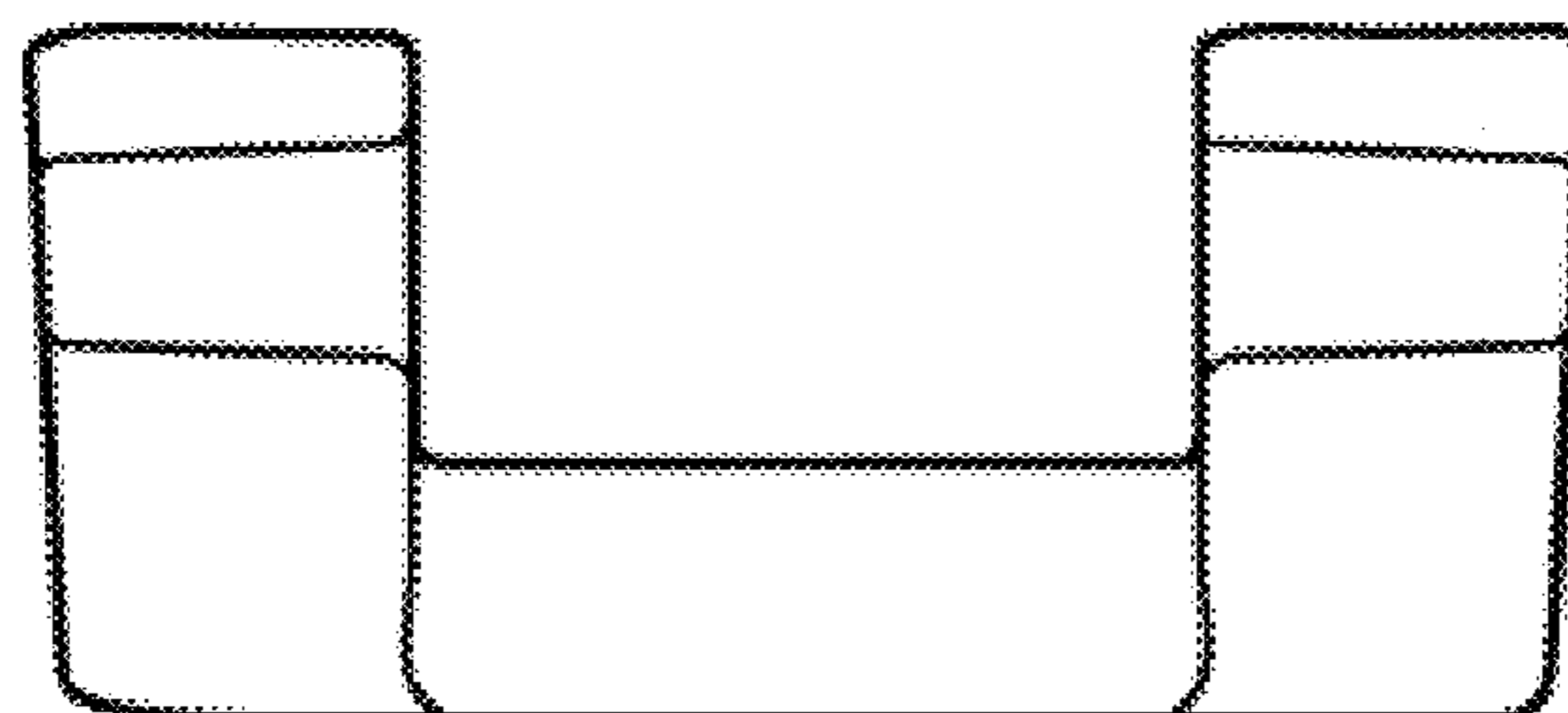


FIG. 3



FIG. 4

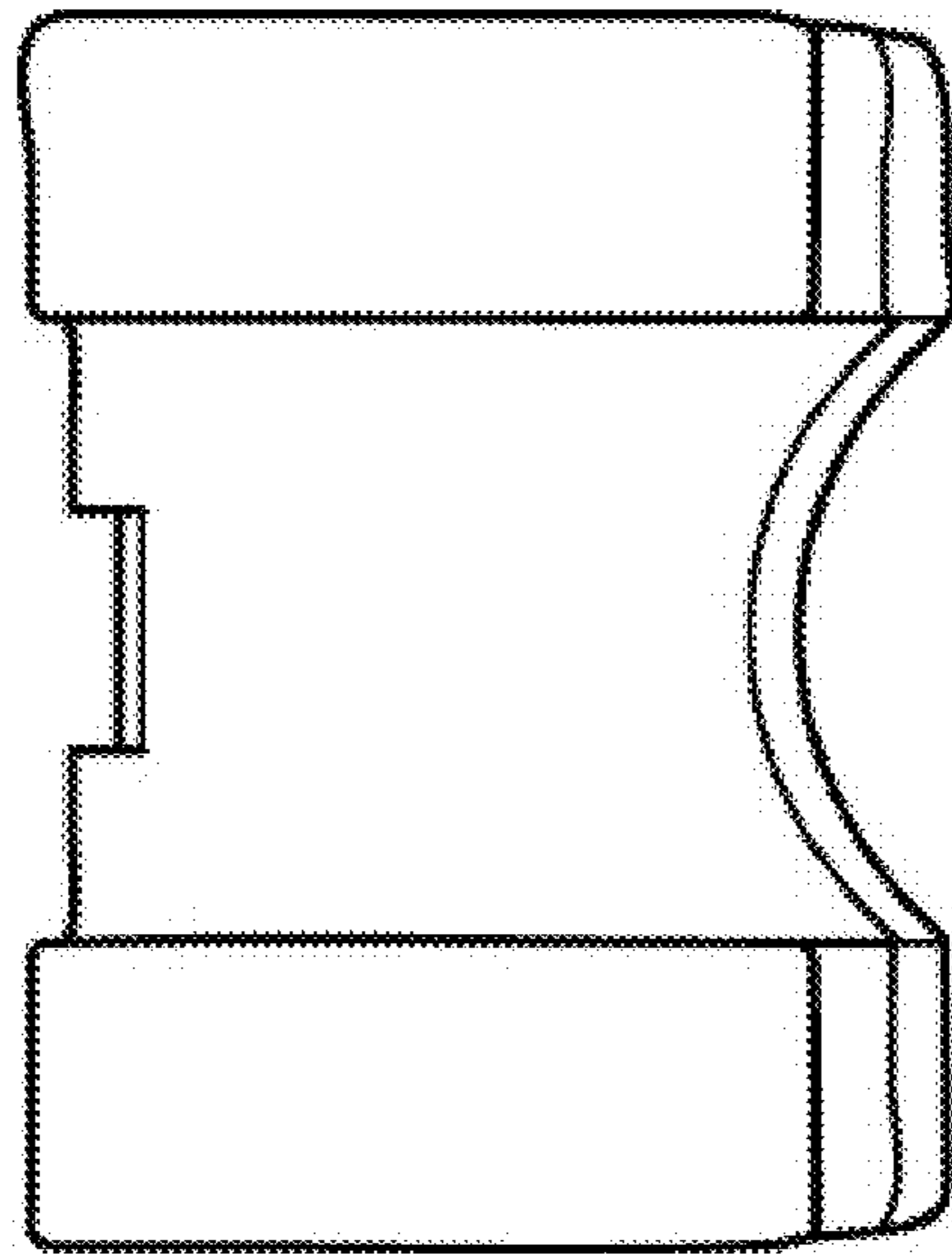


FIG. 5

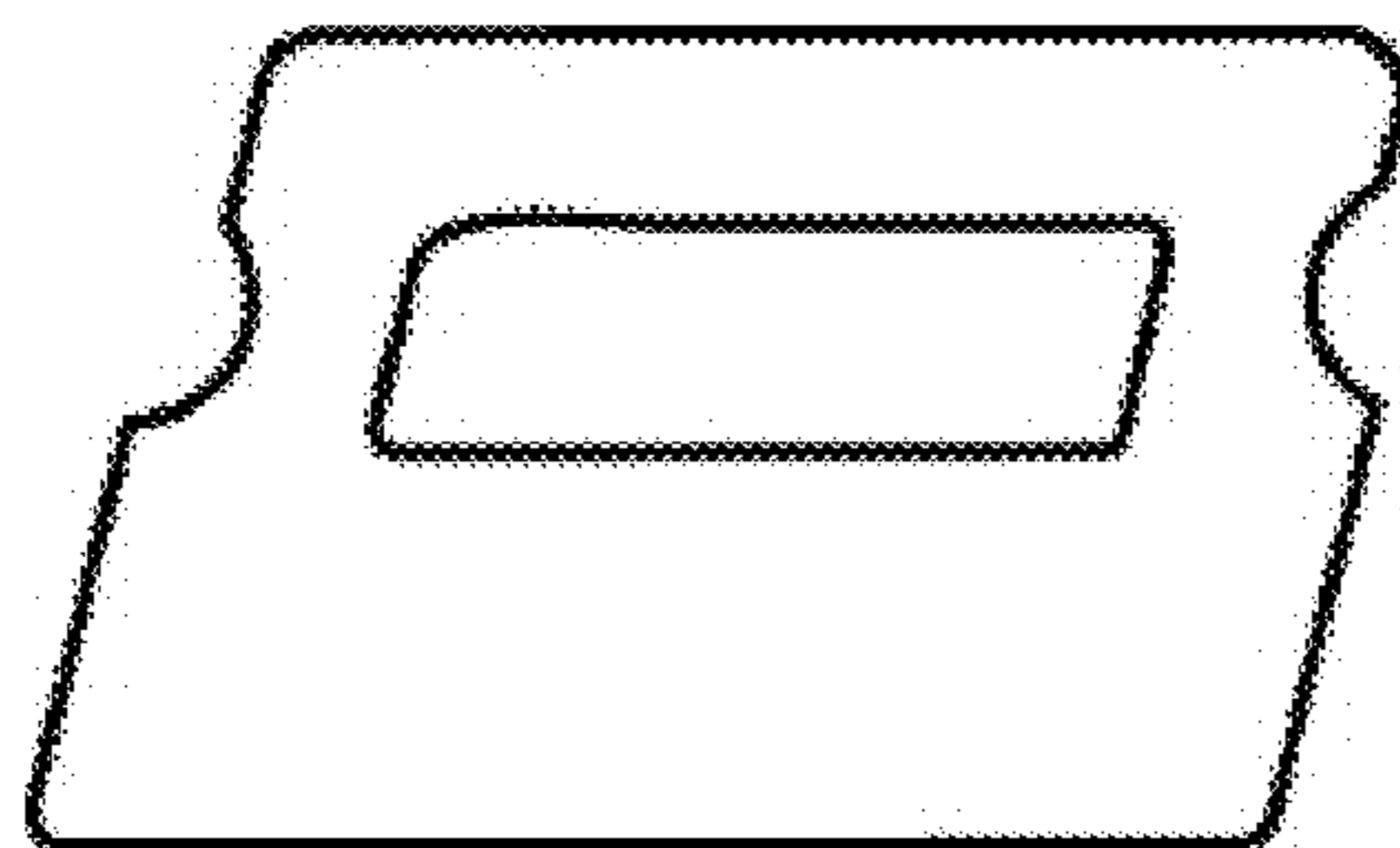


FIG. 6

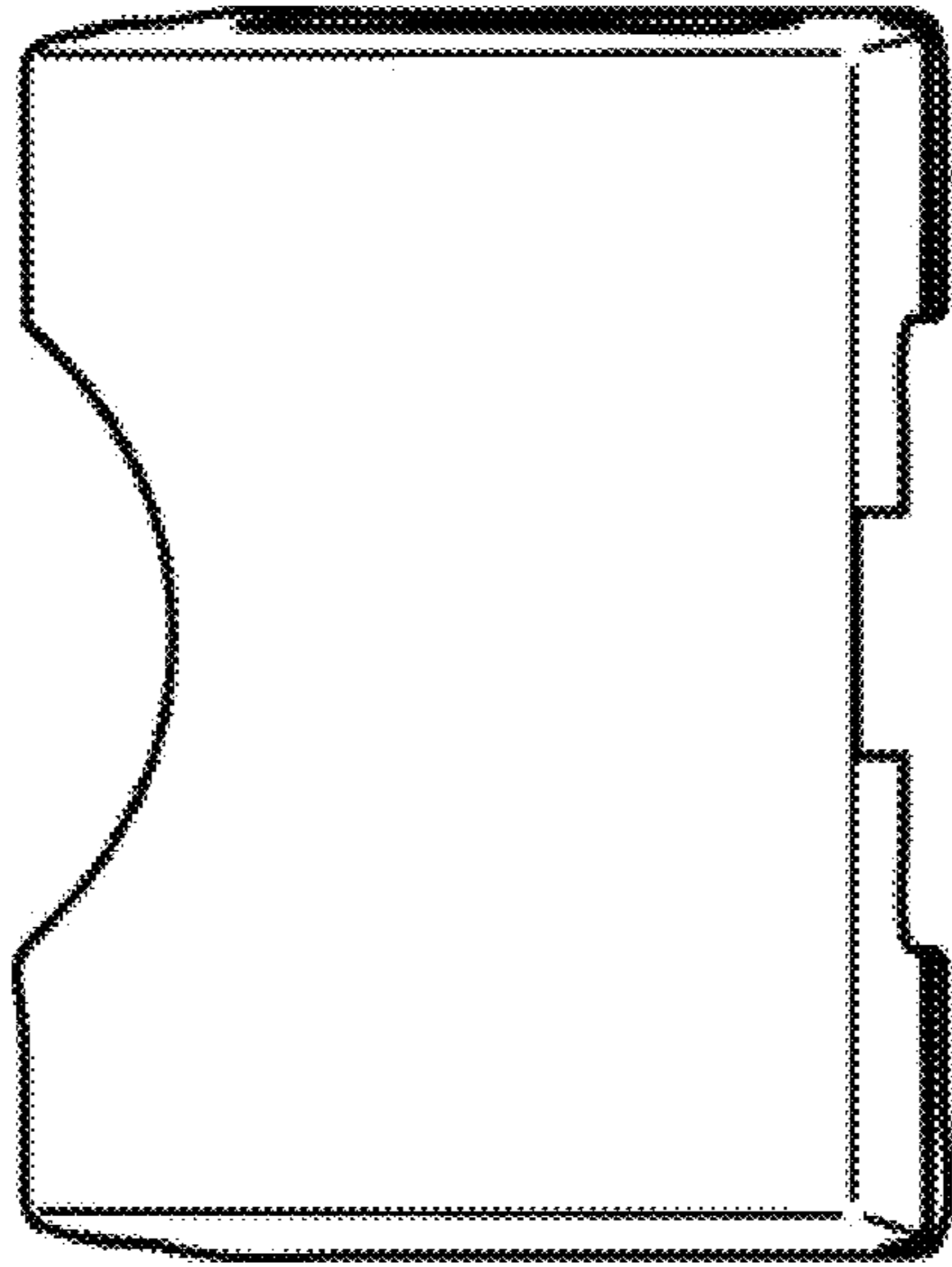


FIG. 7

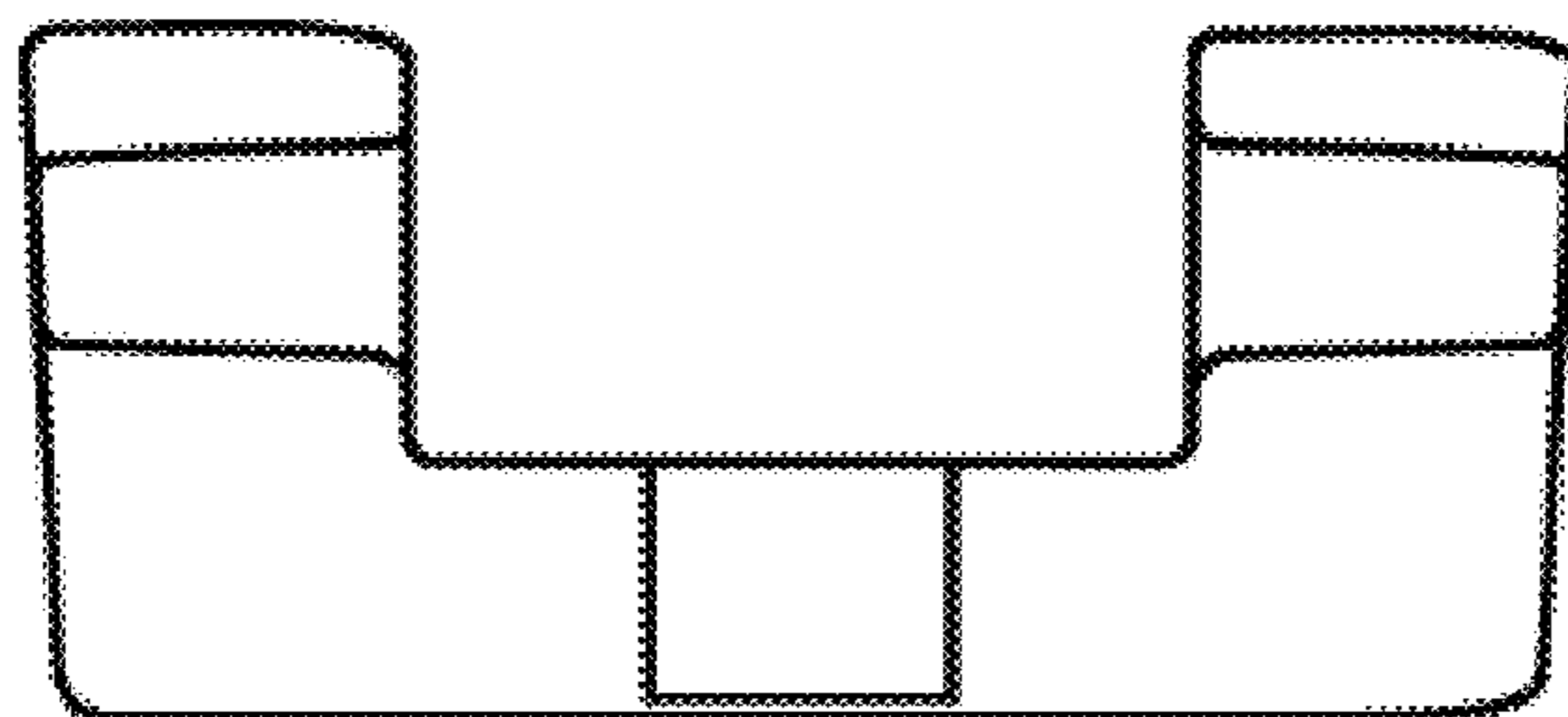


FIG. 8

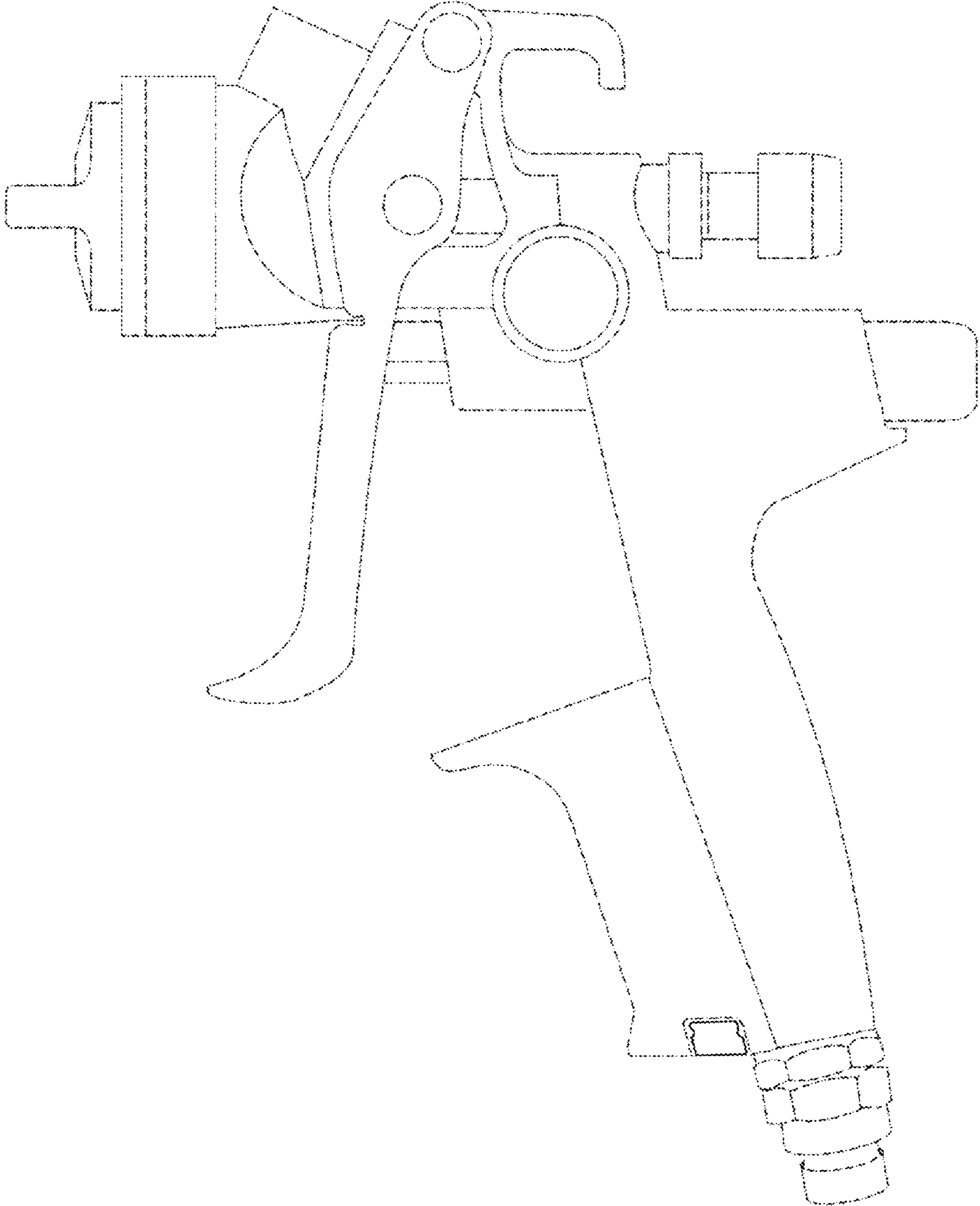


FIG. 9

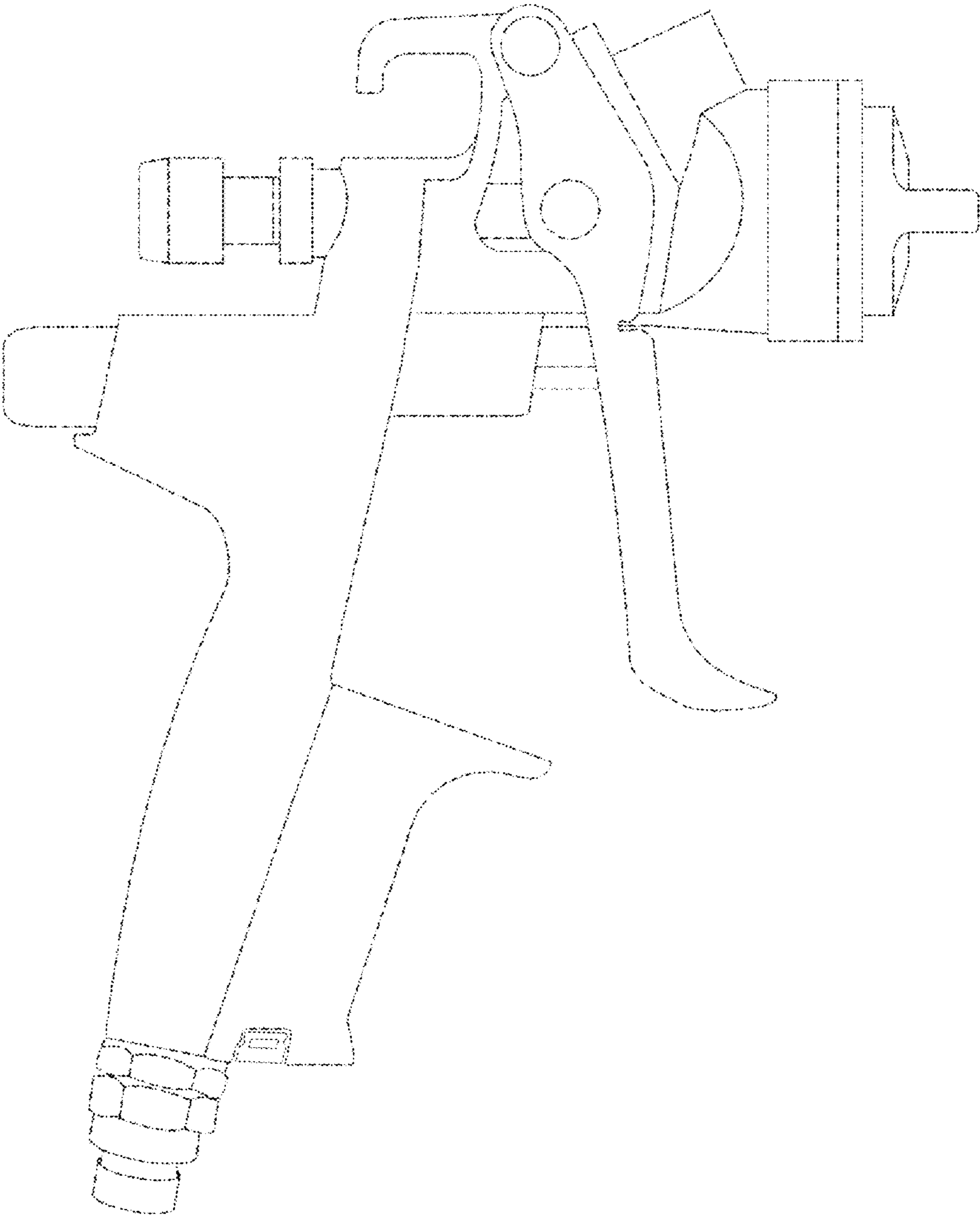


FIG. 10

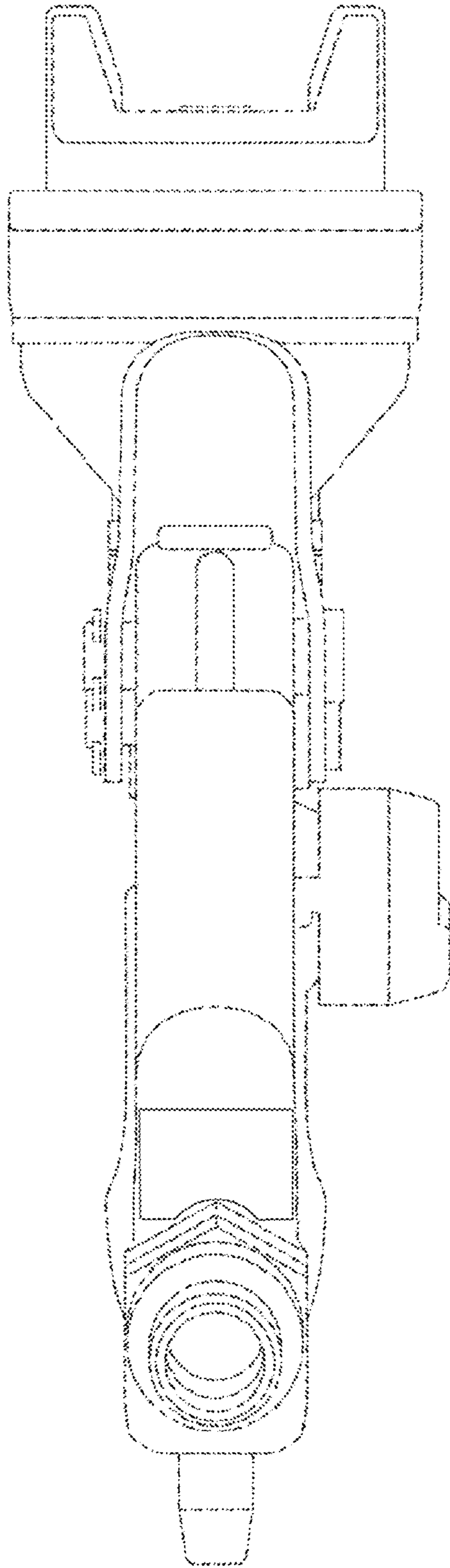


FIG. 11