



US00D757214S

(12) **United States Design Patent**  
**Richter et al.**

(10) **Patent No.:** **US D757,214 S**  
(45) **Date of Patent:** **\*\* May 24, 2016**

- (54) **AUTOMATIC ELECTROSTATIC GUN**
- (71) Applicant: **Graco Minnesota Inc.**, Minneapolis, MN (US)
- (72) Inventors: **Mark C. Richter**, River Falls, WI (US);  
**Mark E. Ulrich**, Oak Grove, MN (US);  
**David W. Koehne**, Blaine, MN (US)
- (73) Assignee: **Graco Minnesota Inc.**, Minneapolis, MN (US)
- (\*\*) Term: **14 Years**
- (21) Appl. No.: **29/517,732**
- (22) Filed: **Feb. 16, 2015**
- (51) **LOC (10) Cl.** ..... **23-01**
- (52) **U.S. Cl.**  
USPC ..... **D23/213**
- (58) **Field of Classification Search**  
USPC ..... D23/213, 223, 226; 239/690, 690.1,  
239/290, 291; 361/227, 228  
CPC .... B05B 5/1691; B05B 5/043; B05B 7/2408;  
B05B 7/241  
See application file for complete search history.

- D608,858 S \* 1/2010 Baltz ..... D23/226
- 8,524,312 B2 \* 9/2013 Huda ..... H01B 19/04  
239/290
- D701,588 S \* 3/2014 Hedger ..... D23/226
- D725,743 S \* 3/2015 Richter ..... D23/226
- D727,466 S \* 4/2015 Richter ..... D23/226
- D736,887 S \* 8/2015 Schwarz ..... D23/223

**OTHER PUBLICATIONS**

Brochure for Graco PRO Xs Automatic Electrostatic Gun 345009ENEUA, revised Jan. 2013.  
Nordson Prism gun brochure, revised Sep. 2012.  
Kremlin Rexson Sames Automatic Electrostatic Guns brochure, revised Jan. 2013 (per document properties, last page).

\* cited by examiner

*Primary Examiner* — Robin V Webster

(74) *Attorney, Agent, or Firm* — Douglas B. Farrow

(57) **CLAIM**

The ornamental design for an automatic electrostatic gun, as shown and described.

**DESCRIPTION**

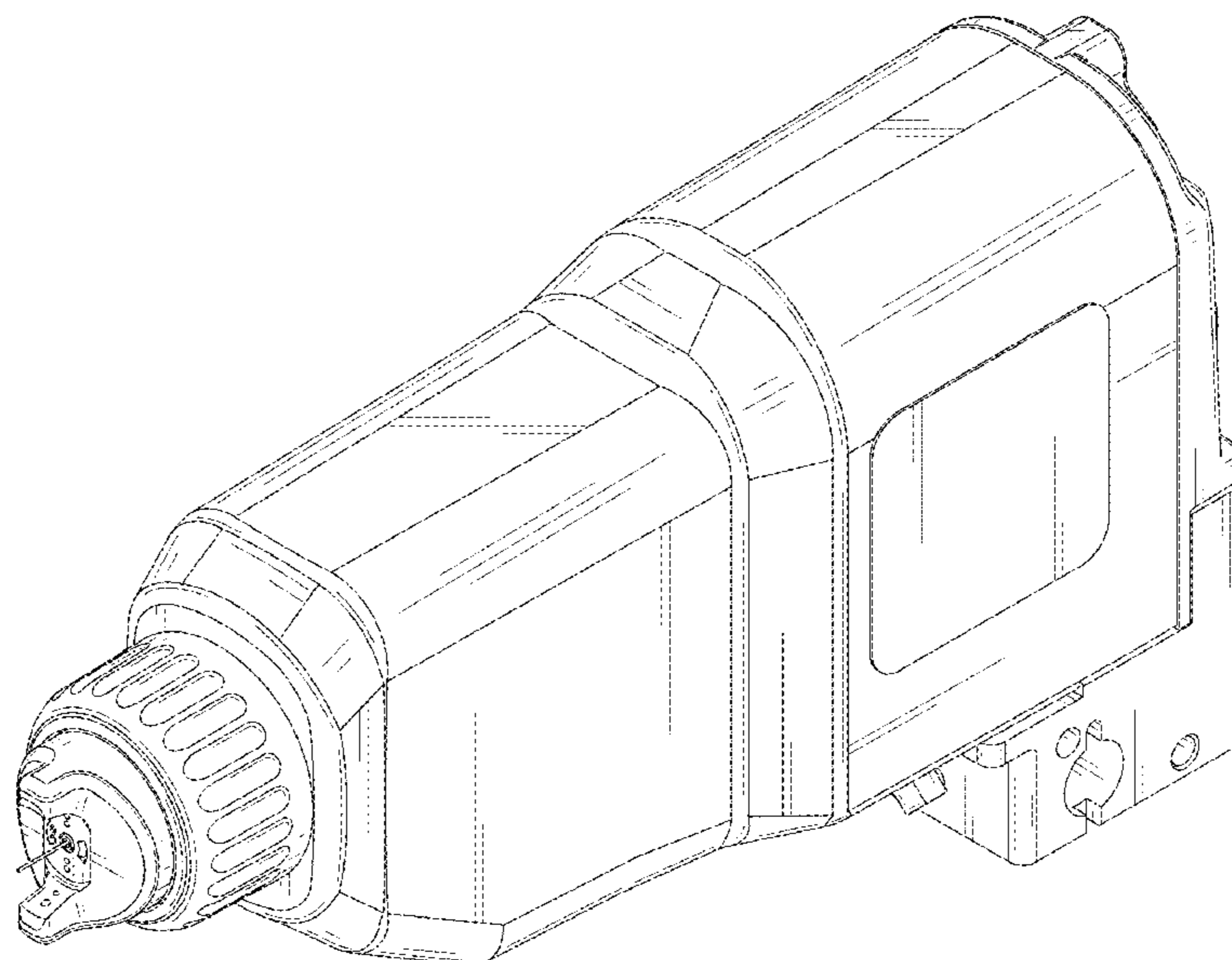
FIG. 1 is a front right isometric view of an automatic electrostatic gun  
FIG. 2 is a rear left isometric view  
FIG. 3 front view thereof,  
FIG. 4 is a left side view thereof;  
FIG. 5 is a rear side view thereof;  
FIG. 6 is a right side view thereof;  
FIG. 7 is a top view thereof; and,  
FIG. 8 is a bottom view of an automatic electrostatic gun.

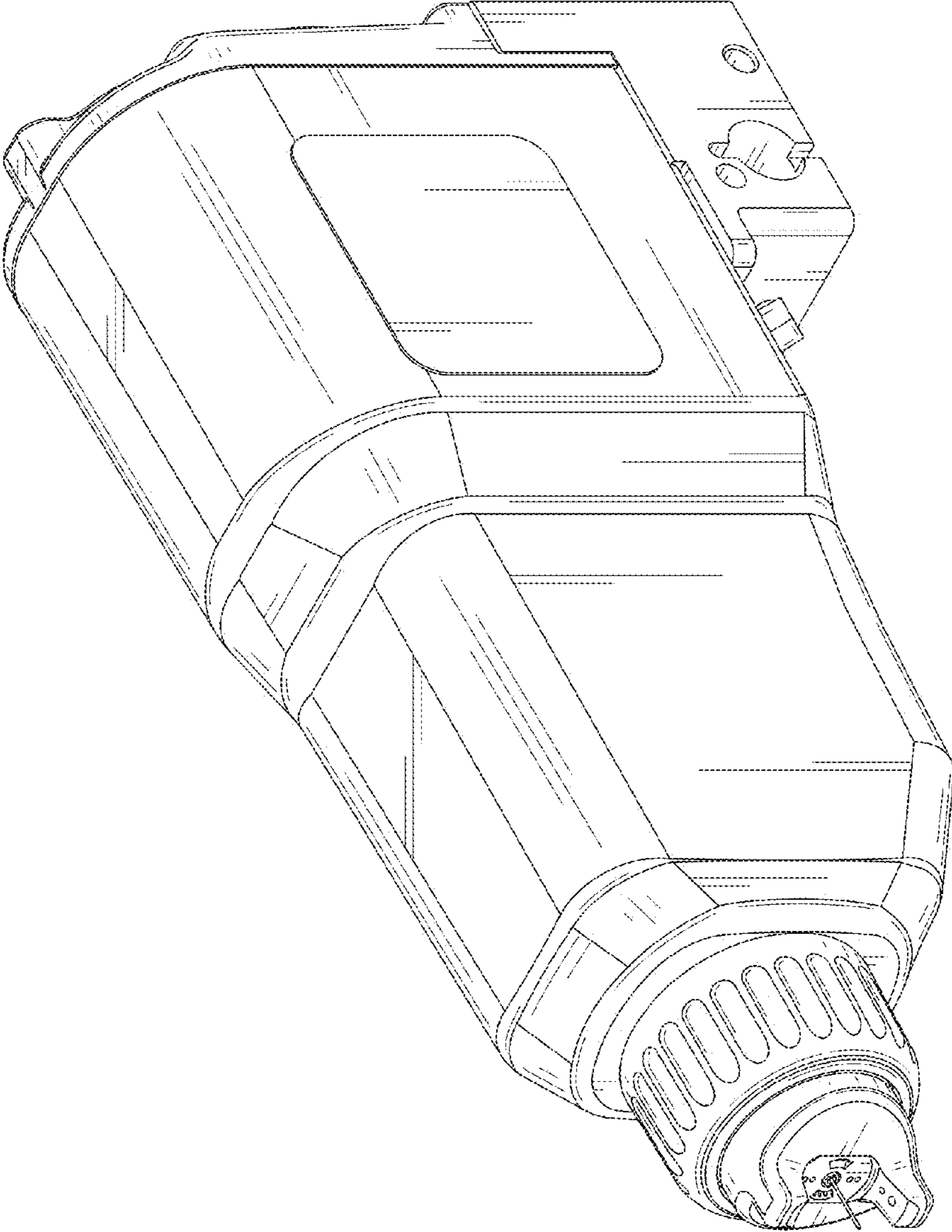
**1 Claim, 8 Drawing Sheets**

(56) **References Cited**

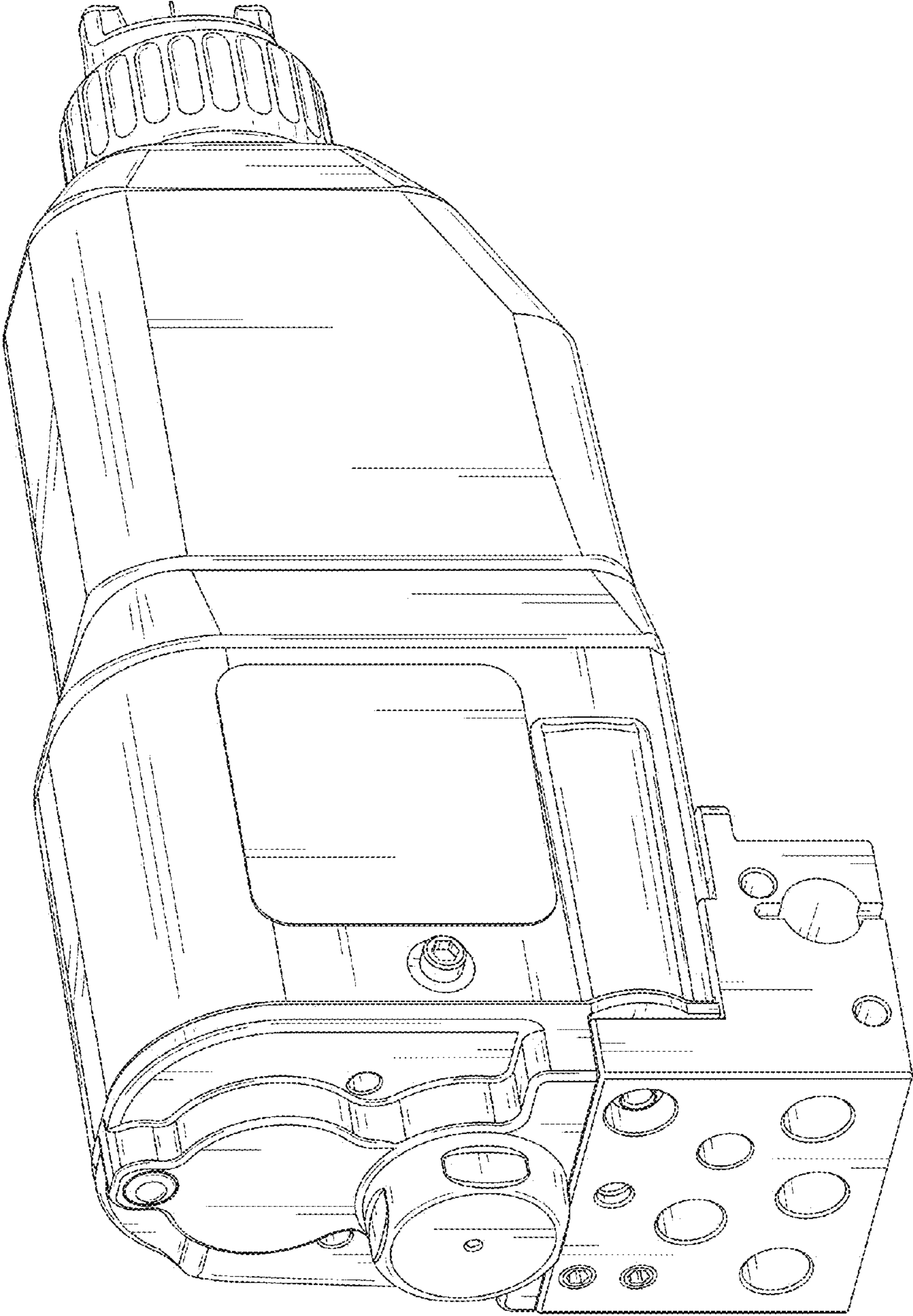
**U.S. PATENT DOCUMENTS**

- D313,064 S \* 12/1990 Lind ..... D23/226
- D350,387 S \* 9/1994 Feitel ..... D23/226
- D368,762 S \* 4/1996 Buergi ..... D23/213
- D457,599 S \* 5/2002 Karwoski ..... D23/226
- D534,617 S \* 1/2007 Fedorov ..... D23/223

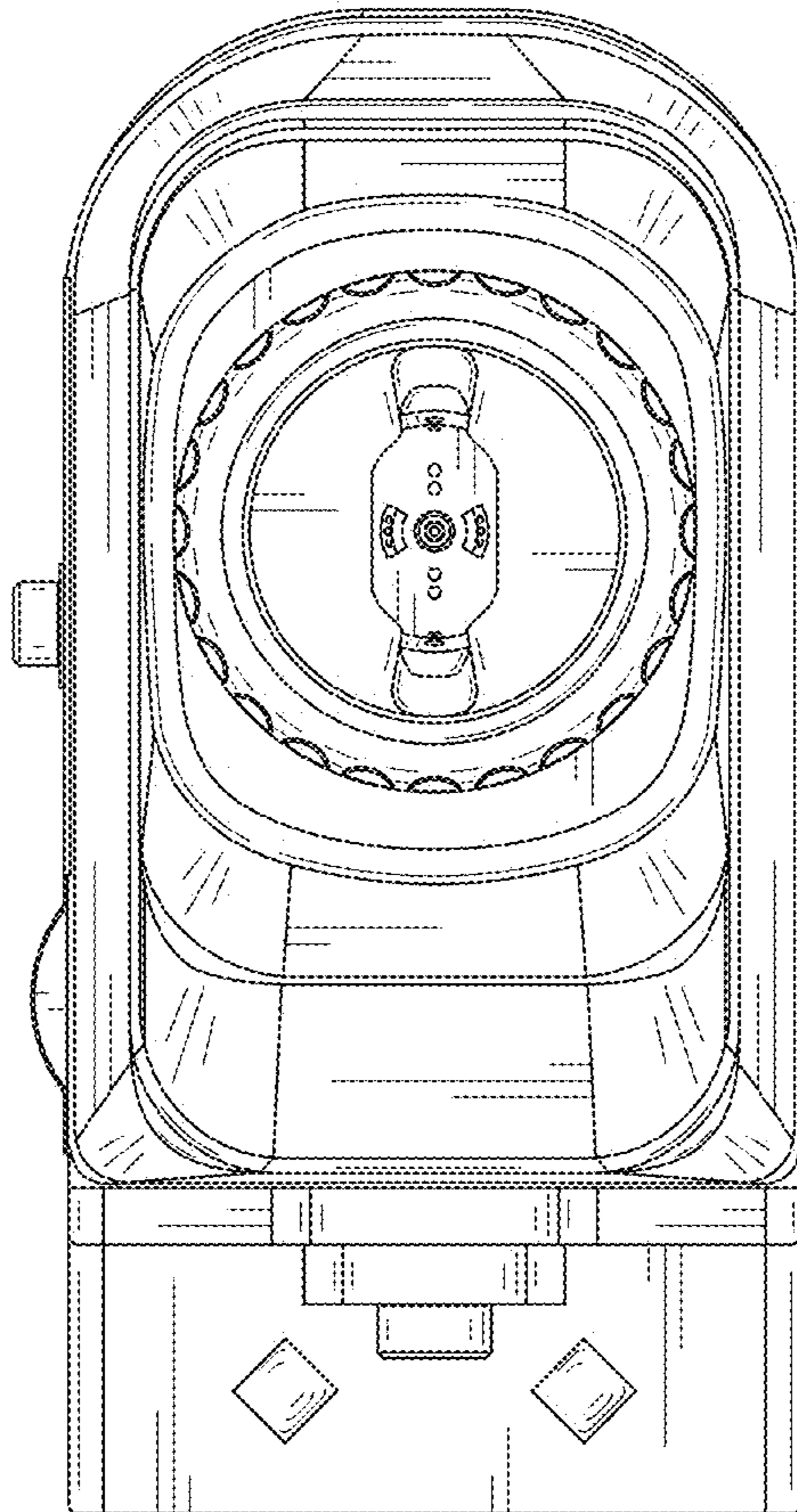




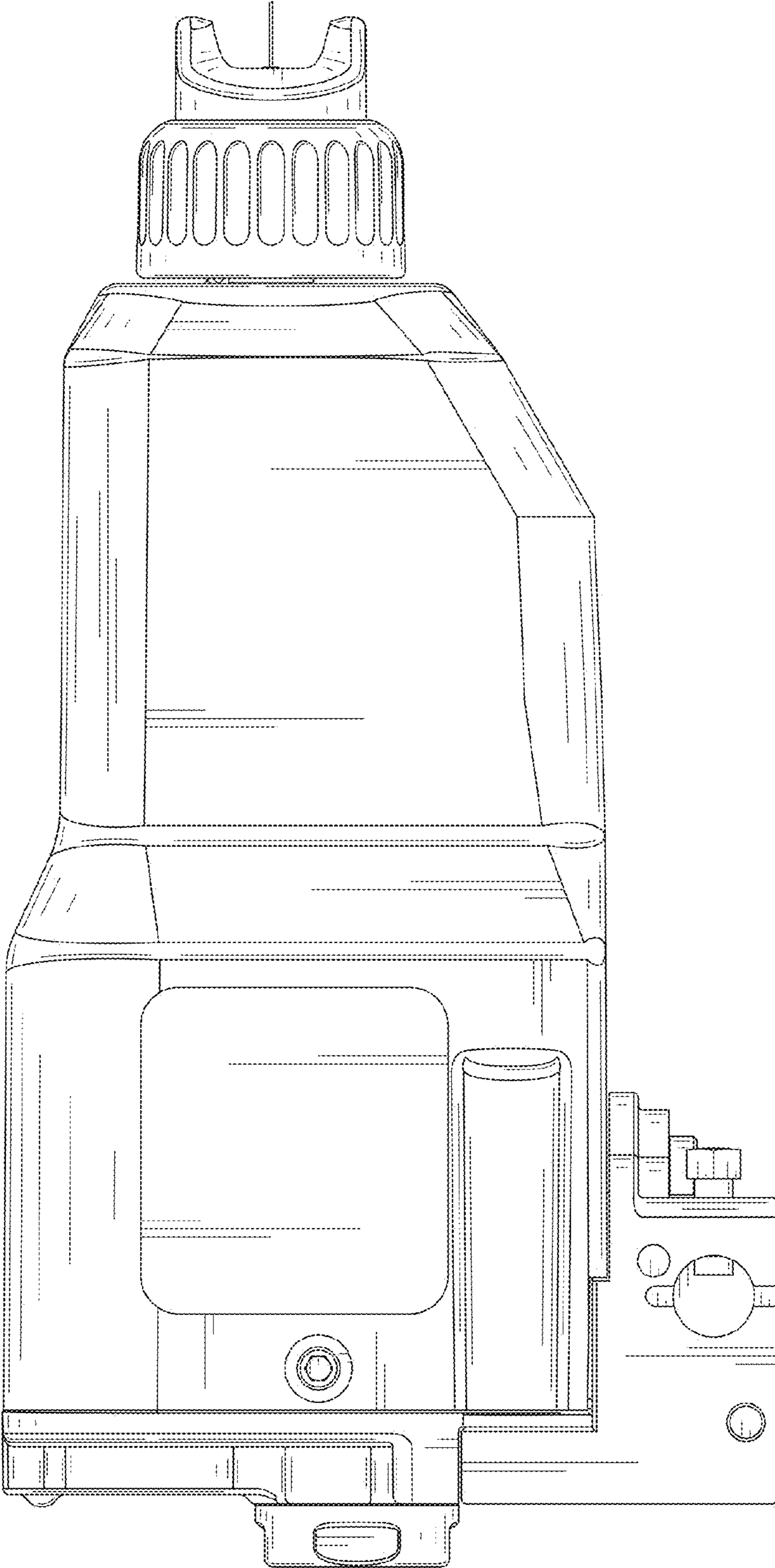
**FIG. 1**



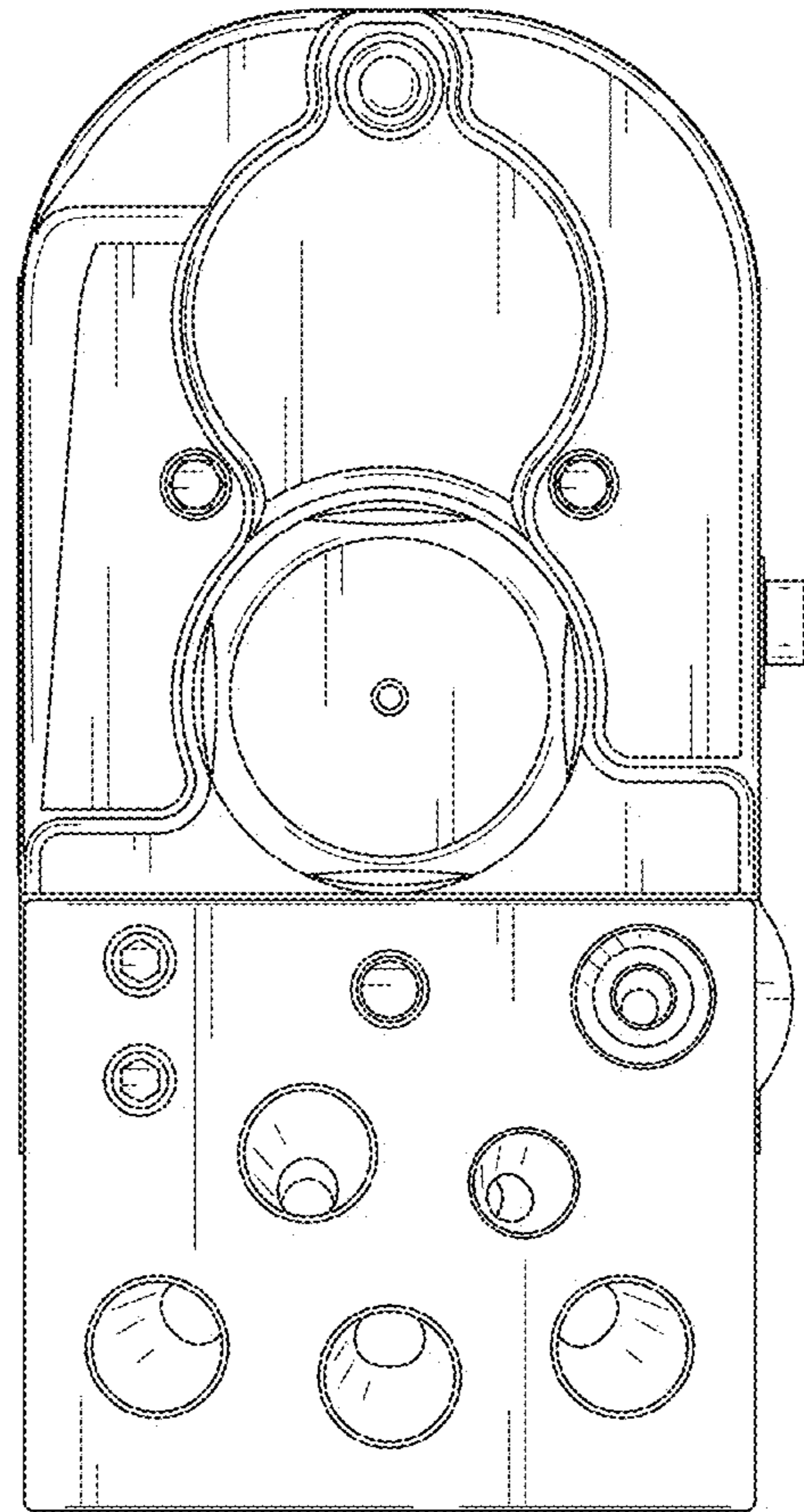
**FIG. 2**



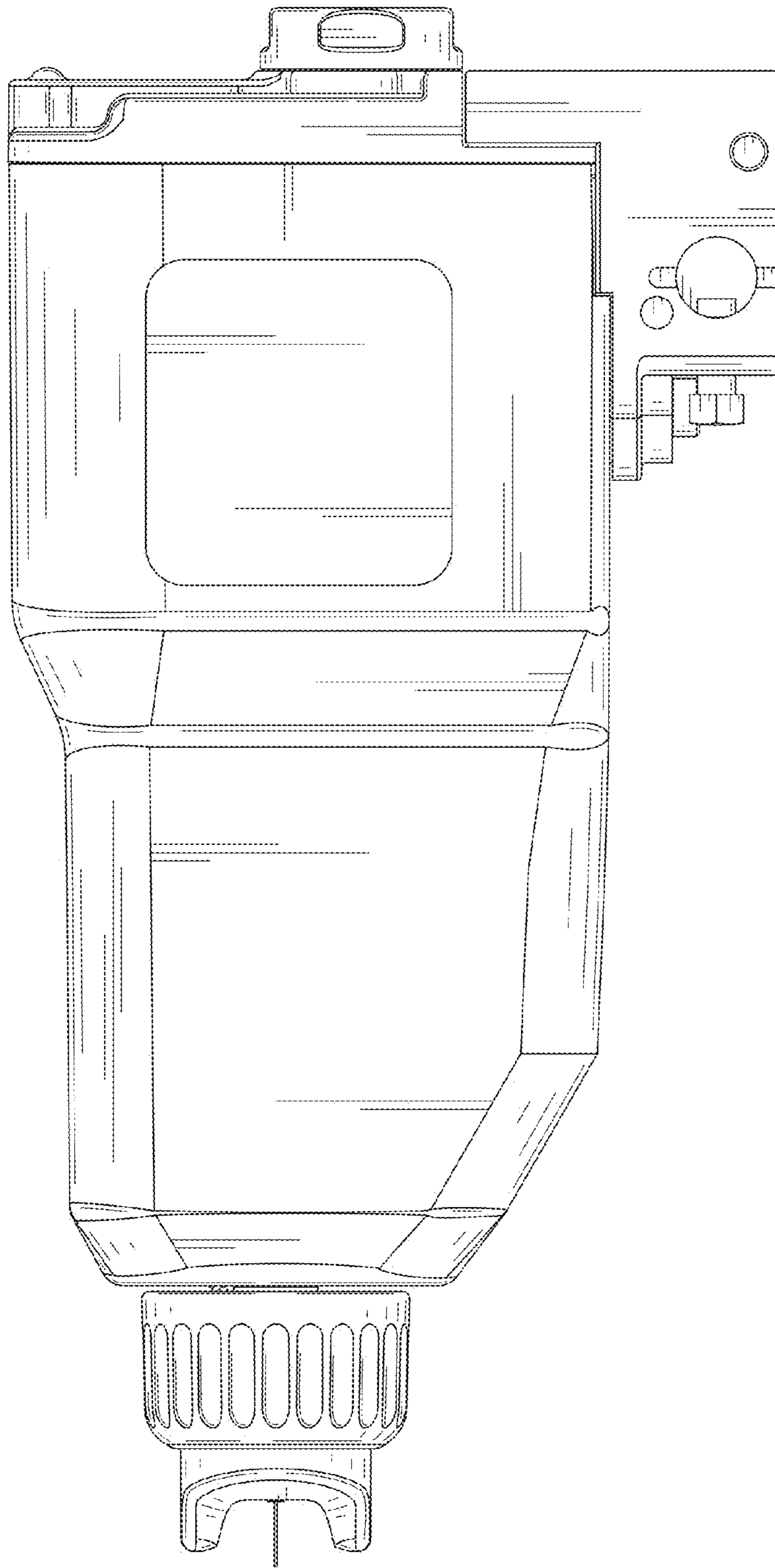
**FIG. 3**



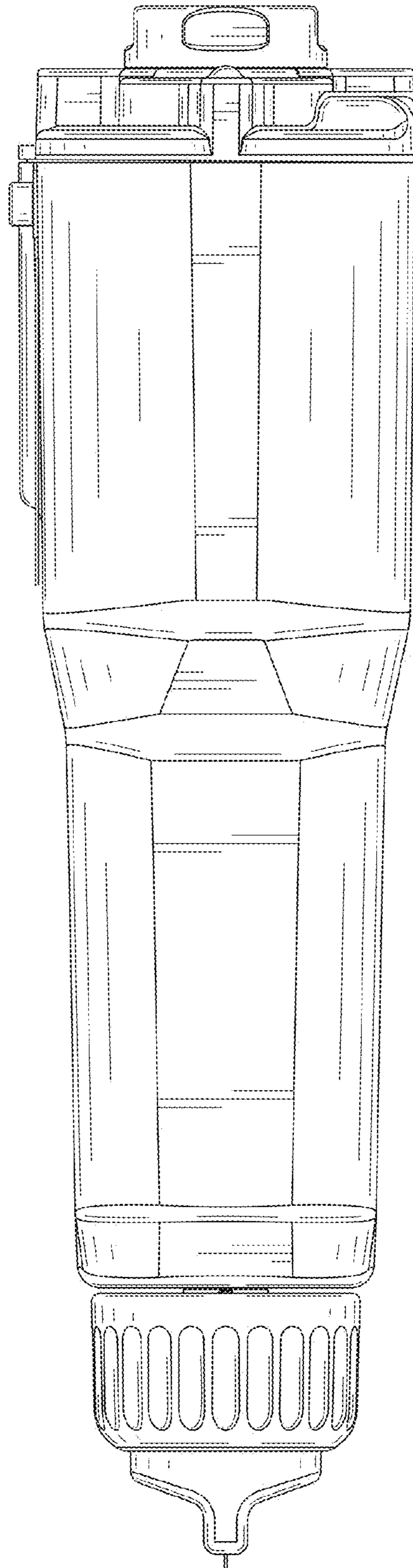
**FIG. 4**



**FIG. 5**

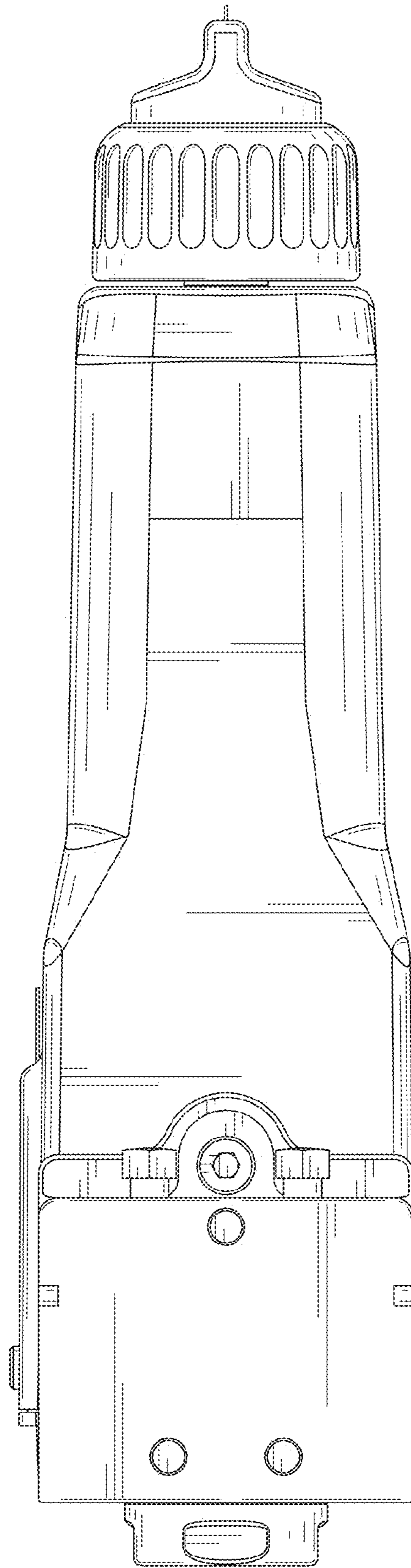


**FIG. 6**



**FIG. 7**





**FIG. 8**