



US00D757210S

(12) **United States Design Patent**
Kiyota et al.

(10) **Patent No.:** **US D757,210 S**
(45) **Date of Patent:** **** May 24, 2016**

(54) **REEL SEAT FOR FISHING REEL**

(56) **References Cited**

(71) Applicant: **GLOBERIDE, INC.**,
Higashikurume-shi, Tokyo (JP)
(72) Inventors: **Yoshiharu Kiyota**, Higashikurume (JP);
Michitaka Kurata, Musashino (JP)
(73) Assignee: **GLOBRIDE, INC.**, Tokyo (JP)

U.S. PATENT DOCUMENTS

D387,125 S * 12/1997 Grems D22/142
D425,170 S * 5/2000 Ohmura D22/142
D593,639 S * 6/2009 Akiba D22/142
7,621,067 B2 * 11/2009 Ito A01K 87/06
43/22
D607,533 S * 1/2010 Ezuka D22/142
D668,737 S * 10/2012 Ito D22/142

(**) Term: **14 Years**
(21) Appl. No.: **29/511,363**
(22) Filed: **Dec. 10, 2014**

* cited by examiner

Primary Examiner — Catheri Oliver-Garcia
(74) *Attorney, Agent, or Firm* — Sughrue Mion, PLLC

(30) **Foreign Application Priority Data**
Jun. 11, 2014 (JP) 2014-012639
(51) **LOC (10) Cl.** **22-05**
(52) **U.S. Cl.**
USPC **D22/142**
(58) **Field of Classification Search**
USPC D22/142; 43/22–23
CPC A01K 87/00; A01K 87/04; A01K 87/06;
A01K 97/06

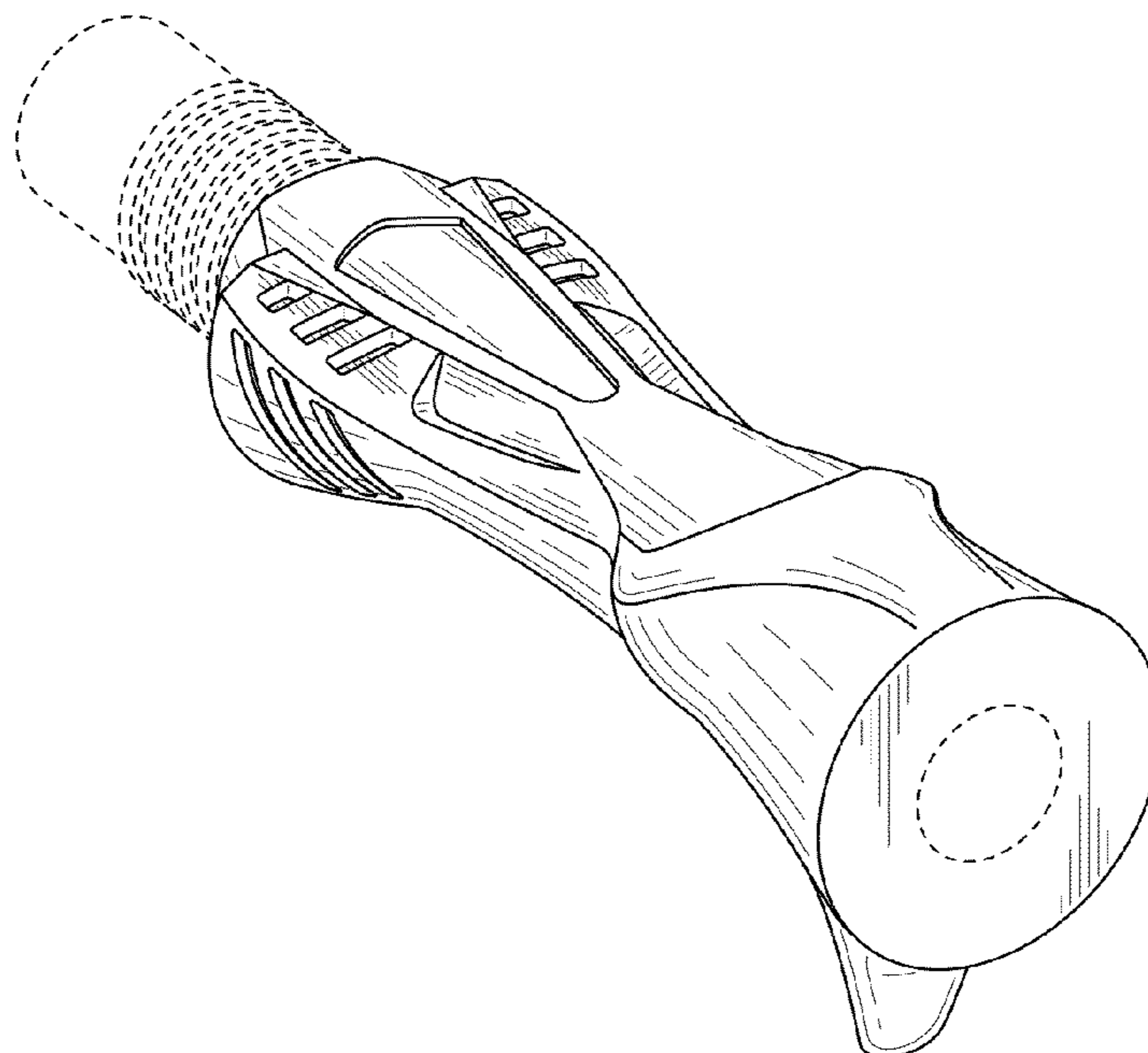
(57) **CLAIM**
The ornamental design for a reel seat for a fishing reel, as shown and described.

DESCRIPTION

FIG. 1 is a front, right, upper perspective view of a reel seat for a fishing reel showing our new design;
FIG. 2 is a front, left, upper perspective view thereof;
FIG. 3 is a front view thereof, a rear view being a mirror image thereof;
FIG. 4 is a left side view thereof;
FIG. 5 is a right side view thereof;
FIG. 6 is a top plan view thereof; and
FIG. 7 is a bottom view thereof; and
FIG. 8 is a sectional view at 8-8 in FIG. 6 thereof.
The broken lines depict environment and are included for the purpose of illustrating only and form no part of the claimed design.

See application file for complete search history.

1 Claim, 3 Drawing Sheets



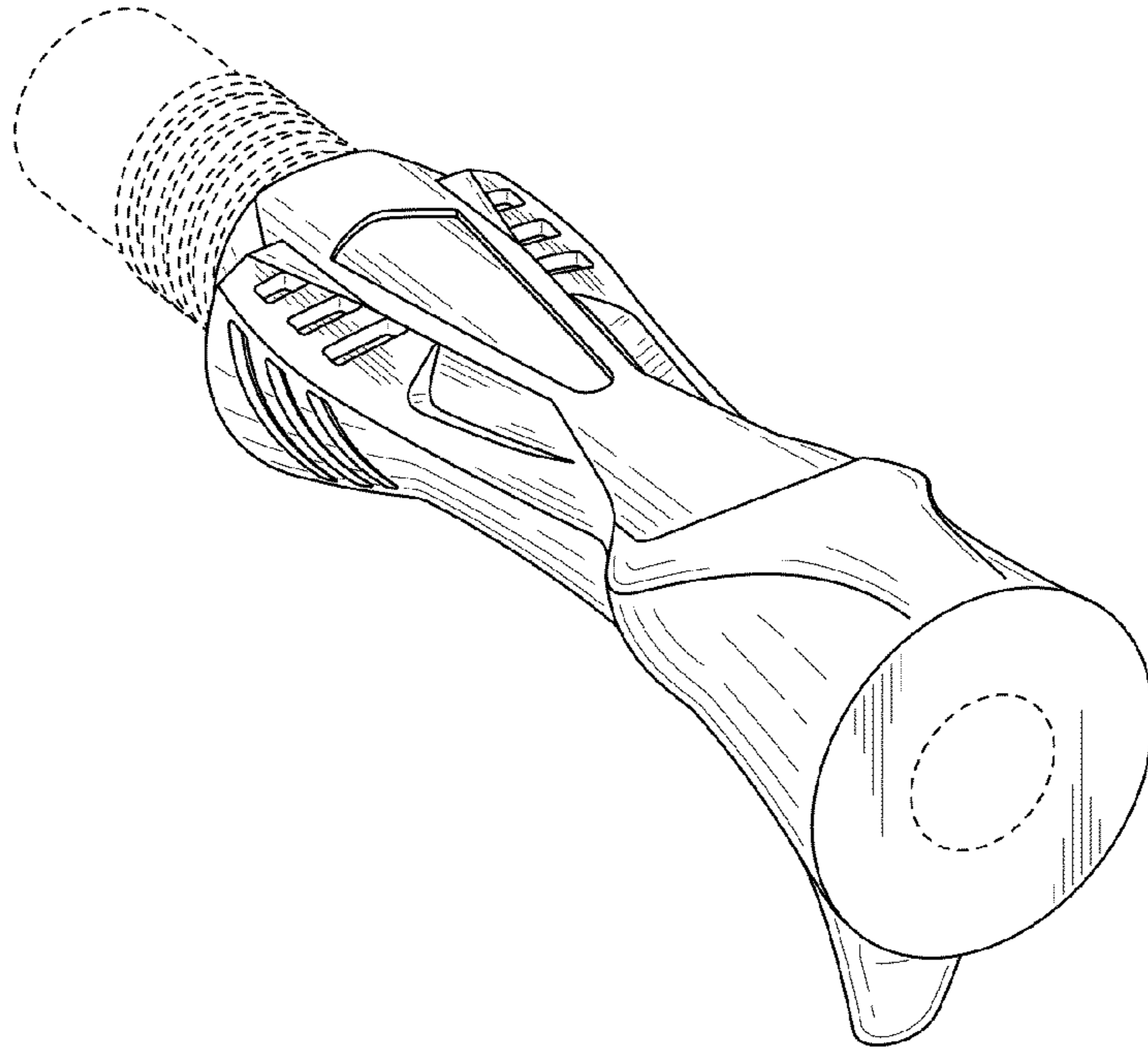


FIG. 1

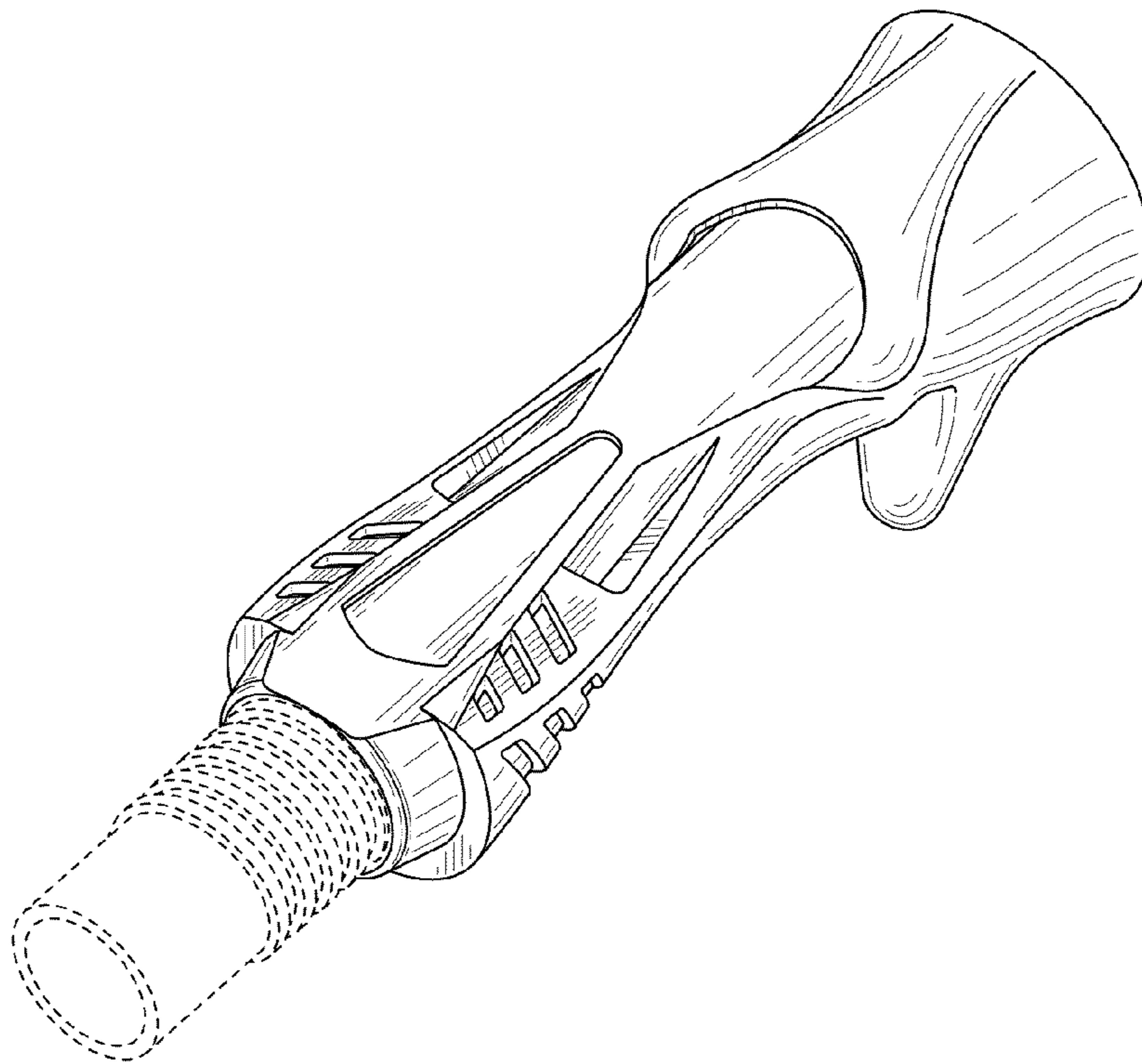


FIG. 2

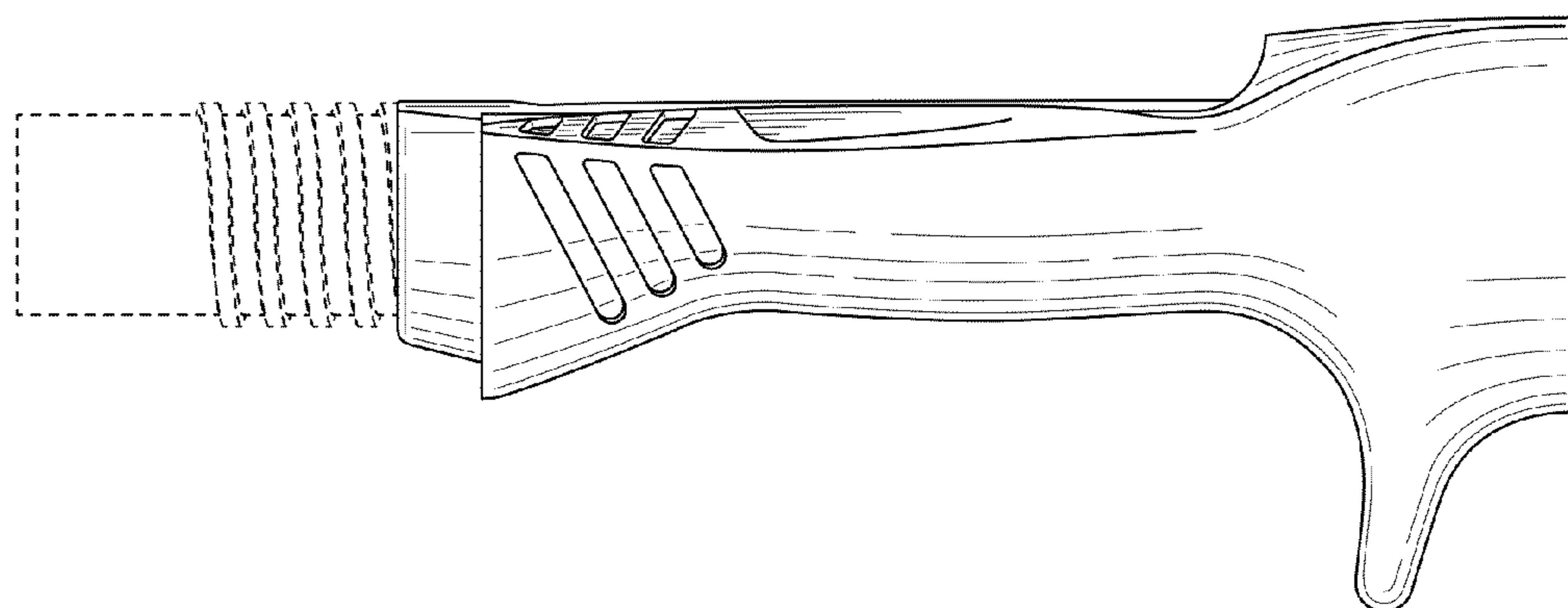


FIG. 3

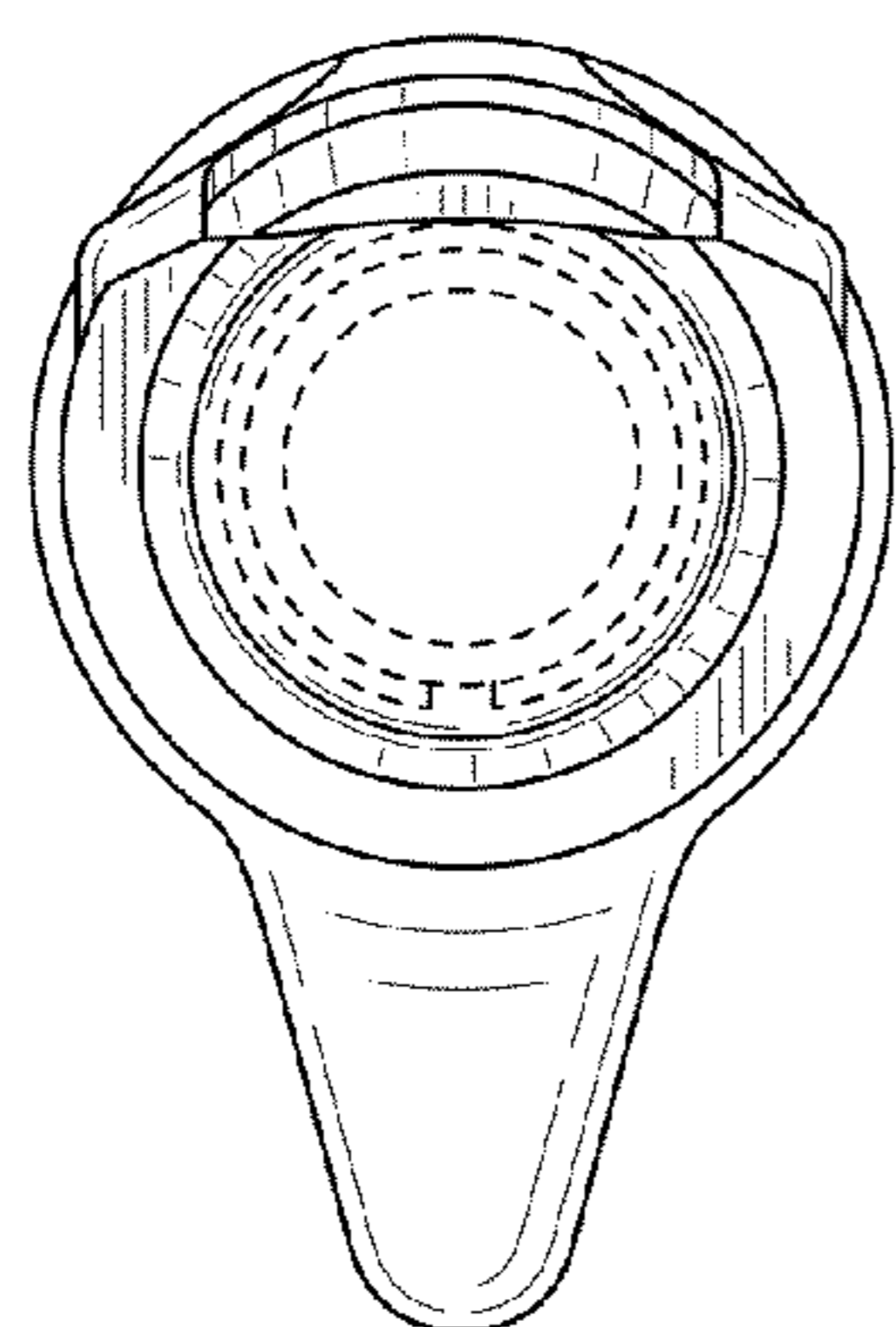


FIG. 4

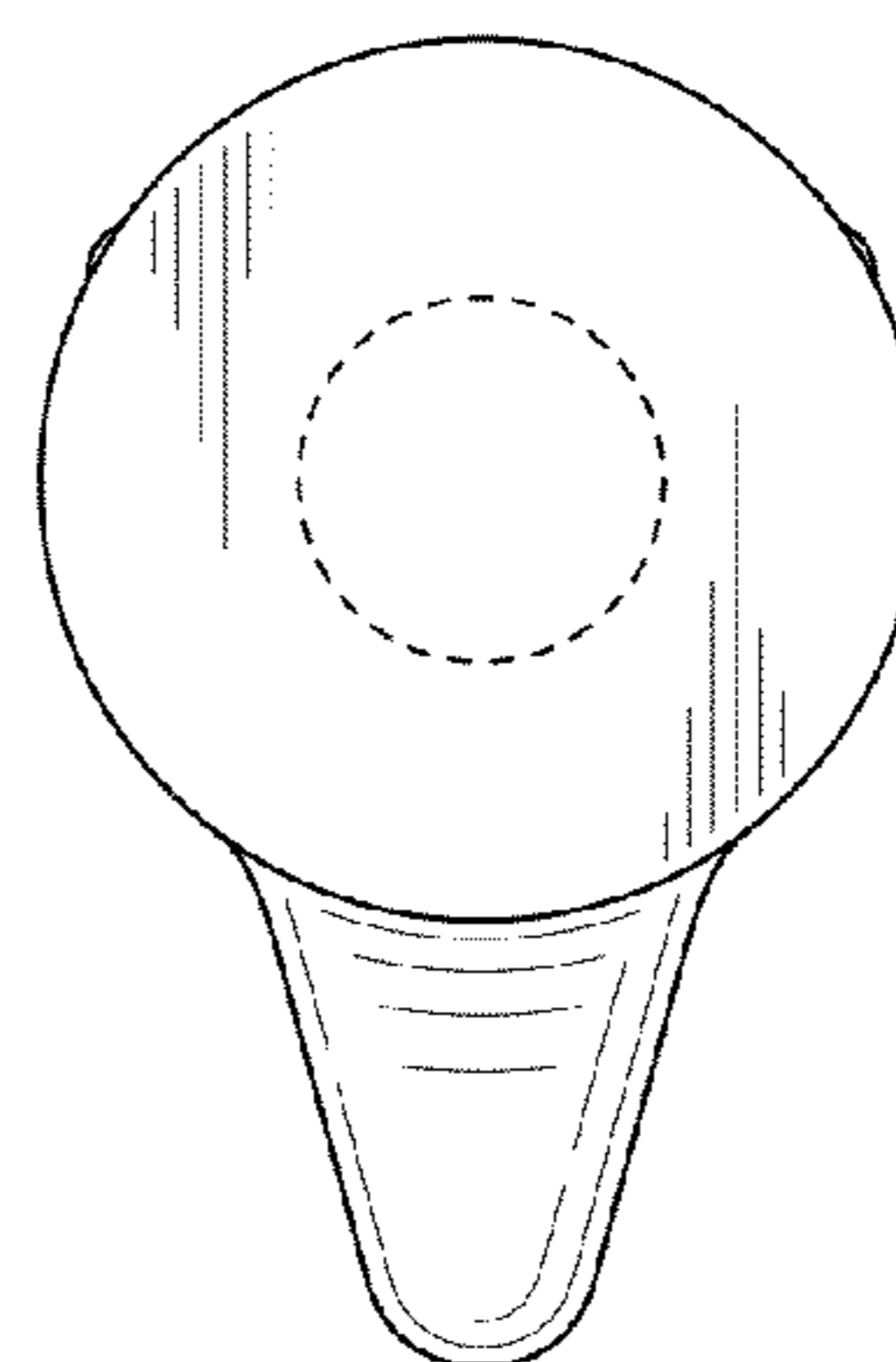


FIG. 5

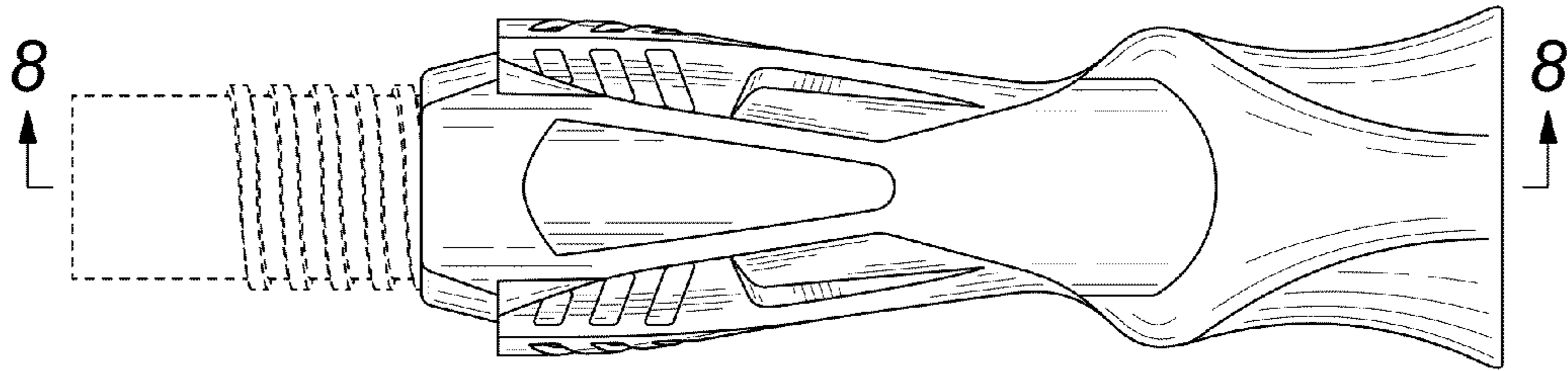


FIG. 6

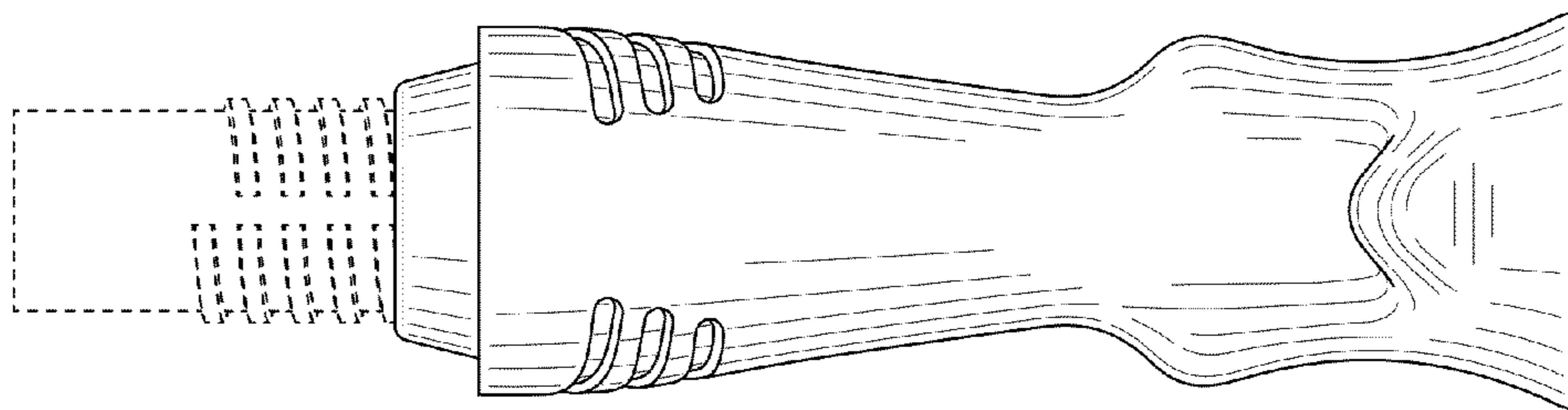


FIG. 7

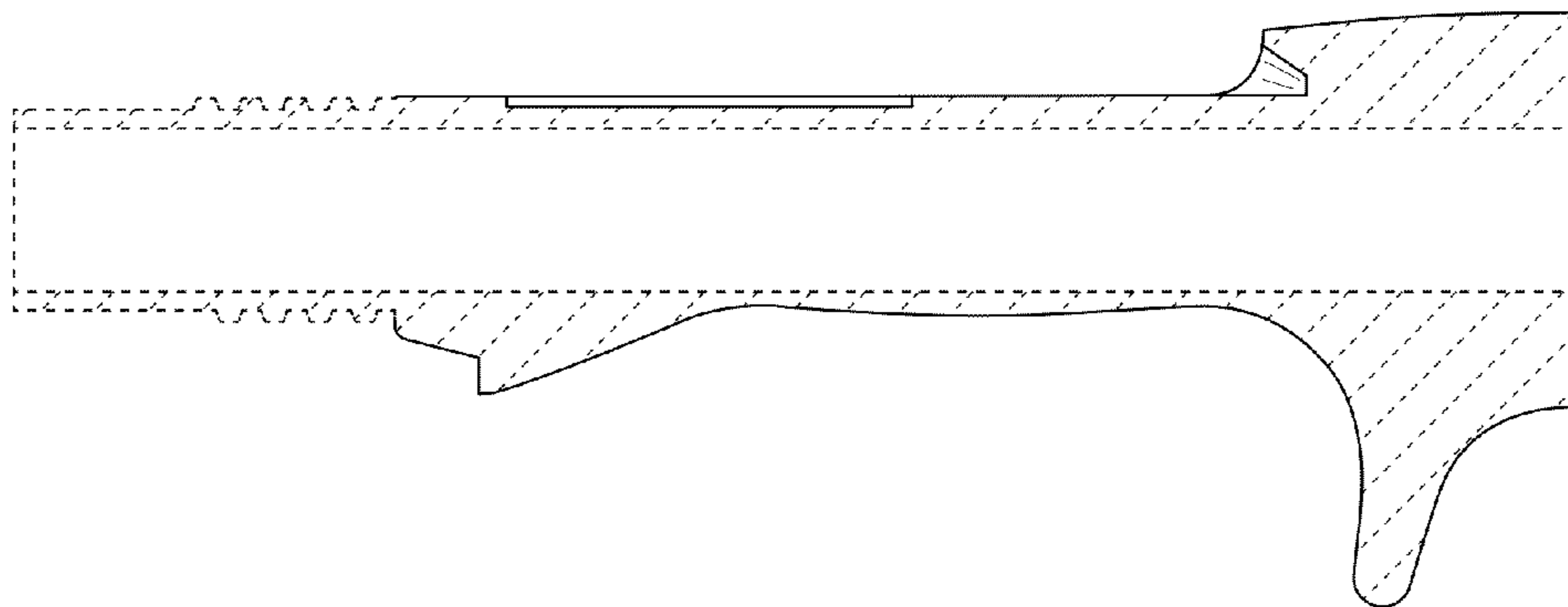


FIG. 8