



US00D757207S

(12) **United States Design Patent**
Zhang et al.

(10) **Patent No.:** **US D757,207 S**
(45) **Date of Patent:** **** May 24, 2016**

(54) **ILLUMINATED SEMIOCHEMICAL FIXTURE**

(71) Applicant: **Sterling International Inc.**, Spokane, WA (US)

(72) Inventors: **Qing-He Zhang**, Greenacres, WA (US);
Marc Chapin, Spokane, WA (US);
Rodney G. Schneidmiller, Greenacres, WA (US)

(73) Assignee: **Sterling International Inc.**, Spokane, WA (US)

(**) Term: **14 Years**

(21) Appl. No.: **29/518,255**

(22) Filed: **Feb. 20, 2015**

Related U.S. Application Data

(63) Continuation-in-part of application No. 29/516,647, filed on Feb. 4, 2015.

(51) **LOC (10) Cl.** **22-06**

(52) **U.S. Cl.**
USPC **D22/122**

(58) **Field of Classification Search**
USPC D22/119–124; 43/112–114, 116, 122, 43/124, 131, 132.1
CPC A01M 1/04; A01M 1/08; A01M 1/223
See application file for complete search history.

(56) **References Cited**

U.S. PATENT DOCUMENTS

- 3,108,391 A * 10/1963 Sipos A01M 1/04 43/113
- D221,074 S * 7/1971 Levey 43/116
- 4,785,573 A * 11/1988 Millard A01M 1/04 43/112
- D538,381 S 3/2007 Chen
- D561,297 S 2/2008 Schneidmiller

- D567,984 S 4/2008 Chen
- 7,412,797 B1 8/2008 Hiscox
- D590,041 S 4/2009 Schneidmiller
- D596,695 S 7/2009 Chen
- D602,116 S 10/2009 Chen
- D612,902 S 3/2010 Fleming
- 8,281,514 B2 10/2012 Fleming
- 8,397,427 B2 3/2013 Schneidmiller
- 8,484,887 B2 7/2013 Schneidmiller
- D700,269 S 2/2014 Chapin
- D701,285 S 3/2014 Chapin
- 8,813,419 B2 8/2014 Schneidmiller
- D715,890 S * 10/2014 Rubel D22/122
- D716,907 S 11/2014 Zhang
- D744,060 S * 11/2015 Mackay D22/122

* cited by examiner

Primary Examiner — Catheri Oliver-Garcia

(74) *Attorney, Agent, or Firm* — Christensen O'Connor Johnson Kindness PLLC

(57) **CLAIM**

The ornamental design for an illuminated semiochemical fixture, as shown and described.

DESCRIPTION

FIG. 1 is a front, top and side perspective view of the illuminated semiochemical fixture in accordance with the present design;

FIG. 2 is a front view of the illuminated semiochemical fixture shown in FIG. 1, which is the same as the rear view;

FIG. 3 is a left side view of the illuminated semiochemical fixture shown in FIG. 1, which is the same as the right side view;

FIG. 4 is a top view of the illuminated semiochemical fixture shown in FIG. 1; and,

FIG. 5 is a bottom view of the illuminated semiochemical fixture shown in FIG. 1.

The broken lines which define the bounds of the claimed design form no part thereof.

1 Claim, 4 Drawing Sheets



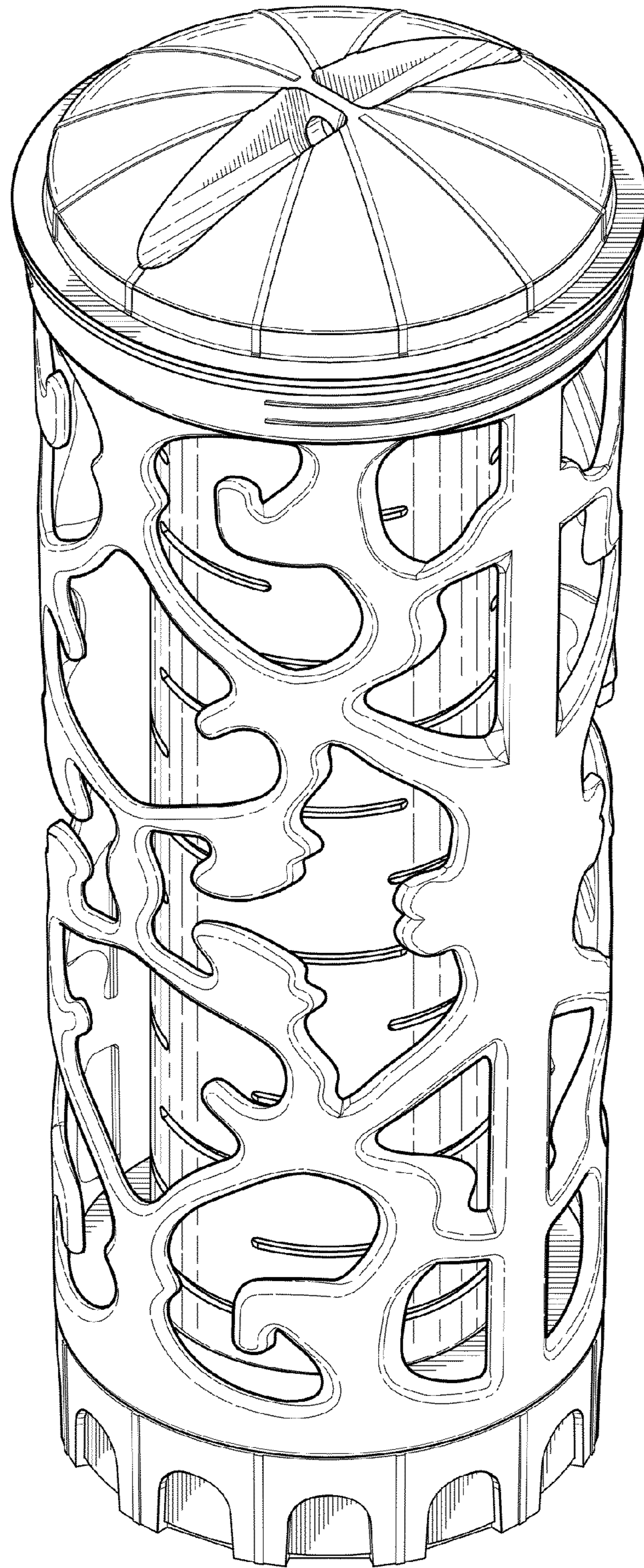


Fig. 1.

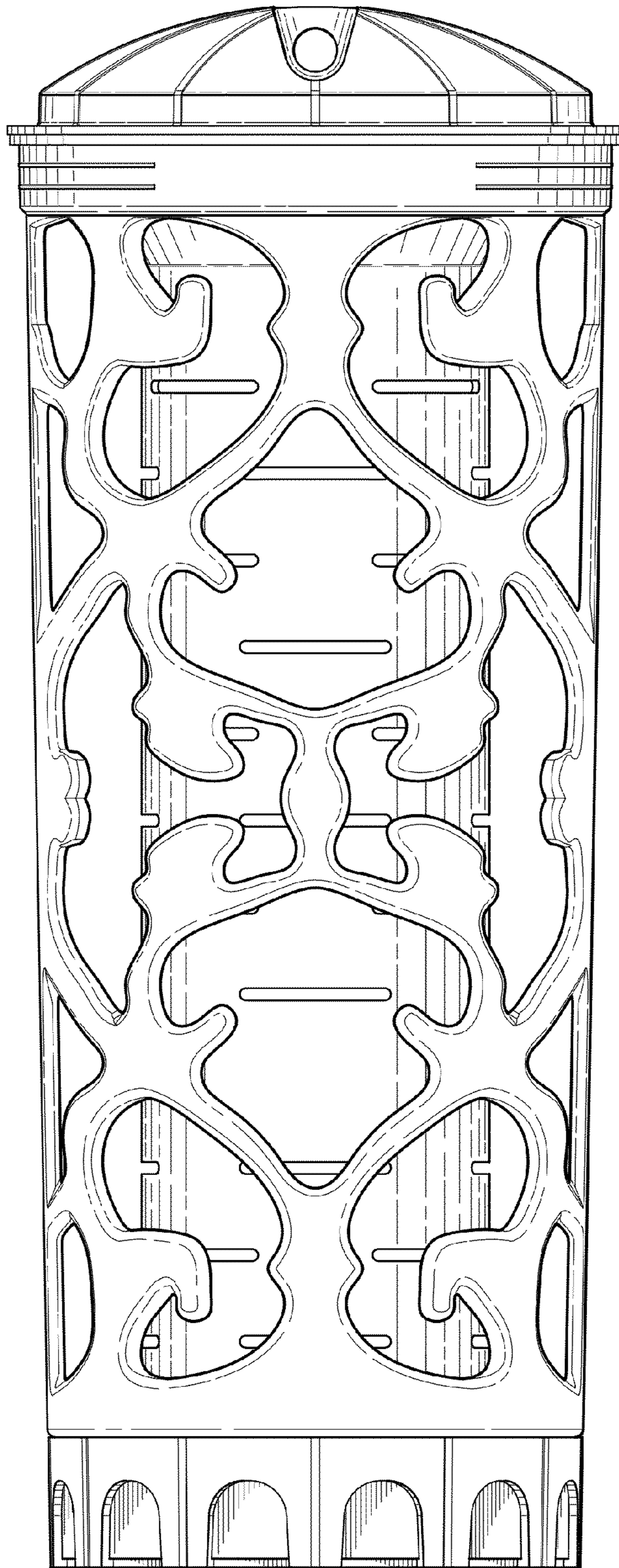


Fig. 2.

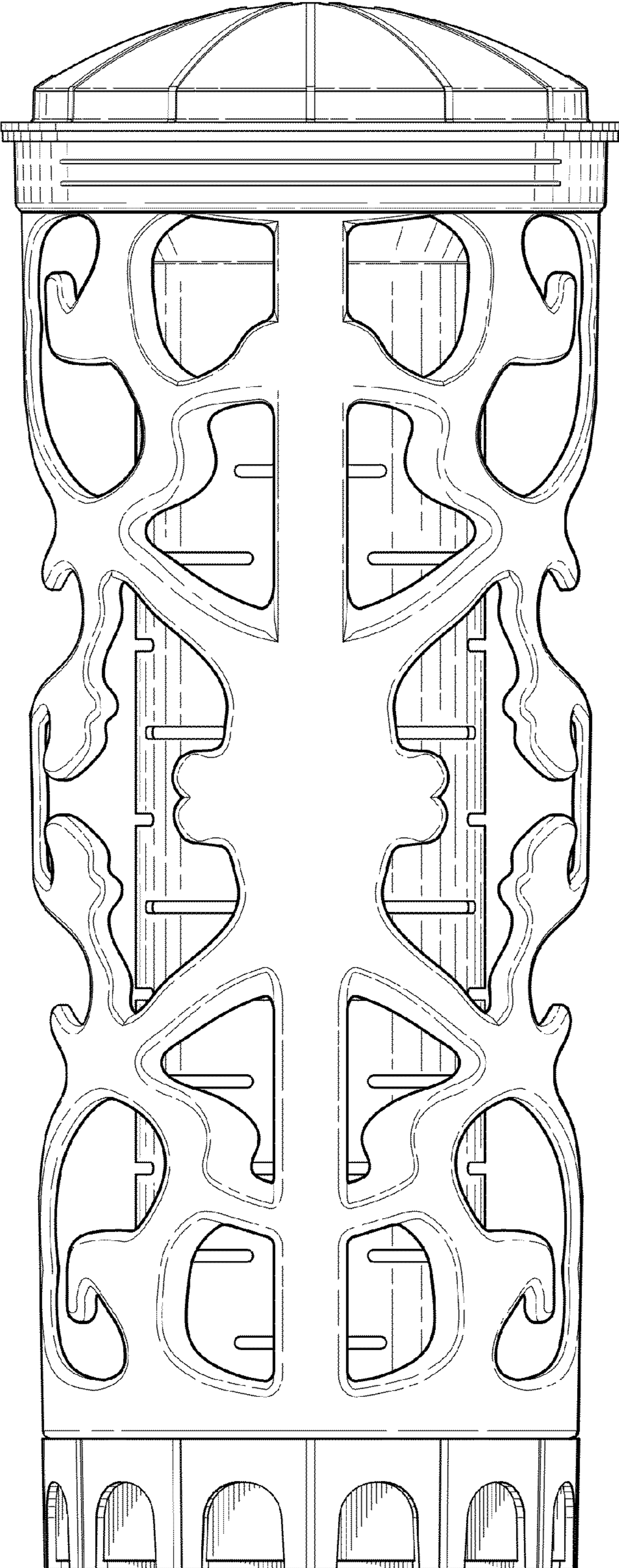


Fig. 3.

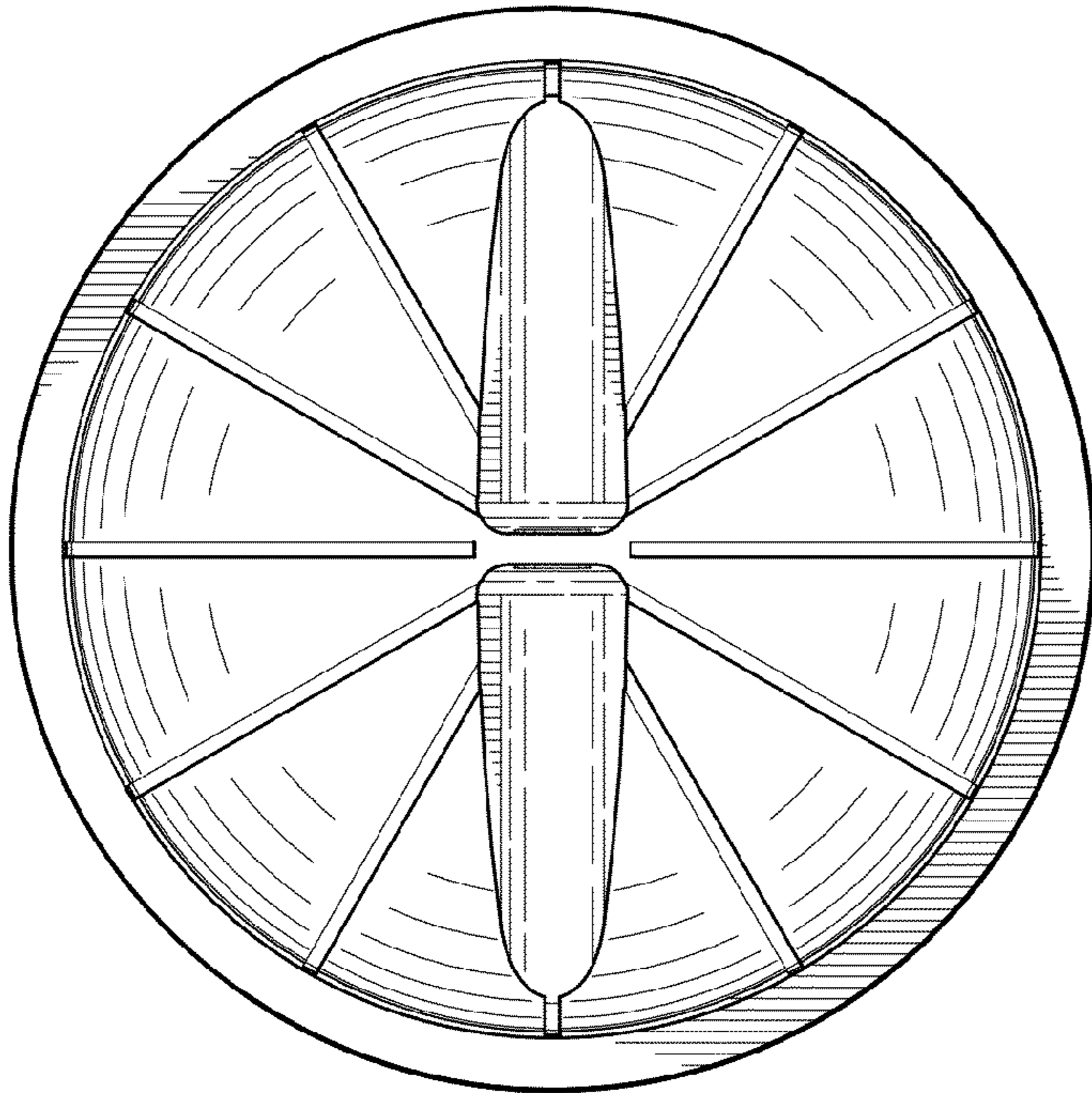


Fig. 4.

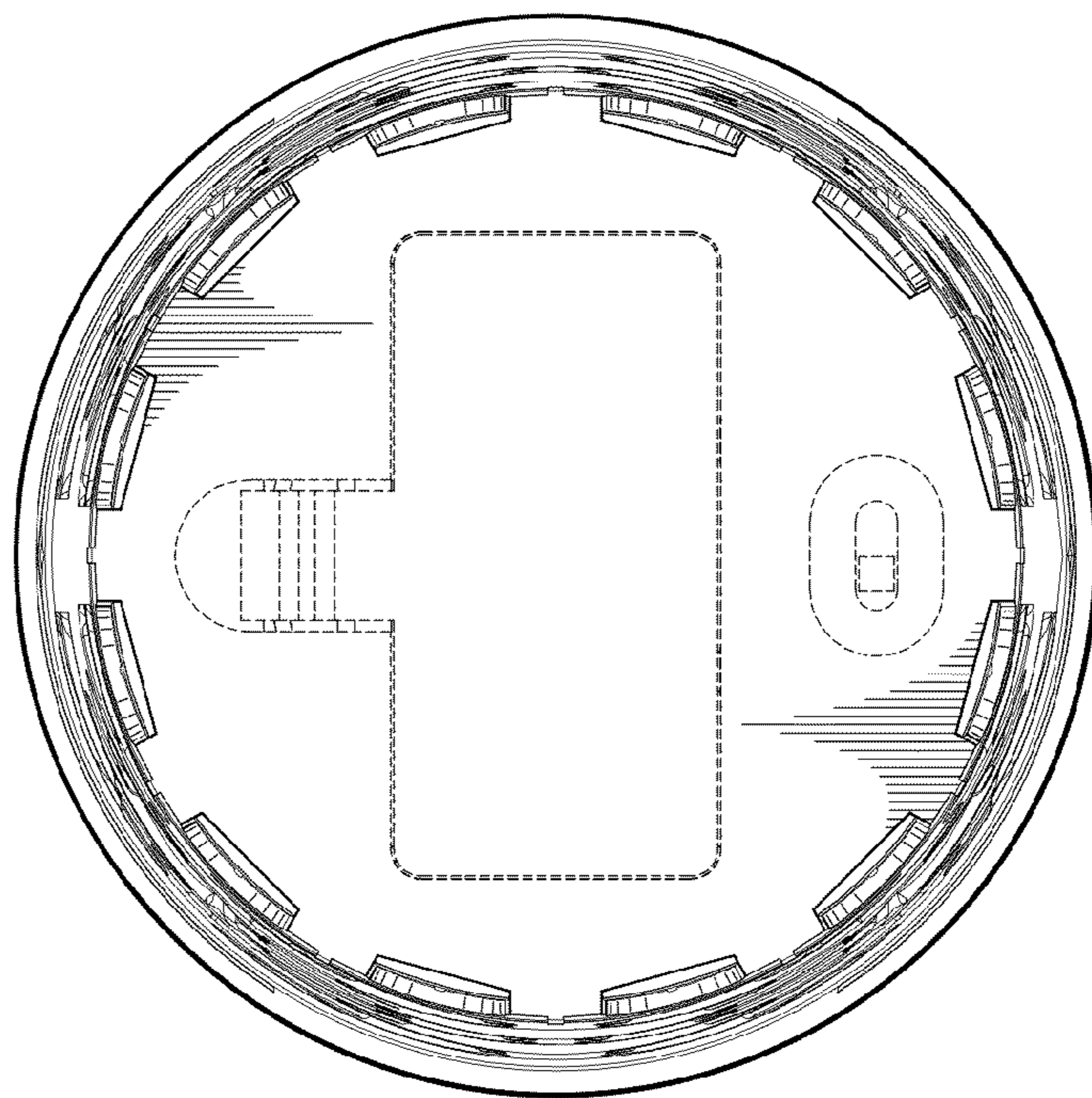


Fig. 5.