



US00D757206S

(12) **United States Design Patent**
Delgado Acarreta et al.

(10) **Patent No.:** **US D757,206 S**
(45) **Date of Patent:** **** May 24, 2016**

(54) **TARGET-ILLUMINATING AIMING DEVICE**

(71) Applicant: **Rade Tecnologias, S.L.**, Zaragoza (ES)

(72) Inventors: **Raul Delgado Acarreta**, Zaragoza (ES);
Daniel Osuna Sanz, Zaragoza (ES);
Diego Ibanez Martinez, Zaragonza
(ES); **Diego Lorente Algora**, Zaragoza
(ES)

(73) Assignee: **Rade Tecnologias, S.L.**, Zaragoza (ES)

(**) Term: **14 Years**

(21) Appl. No.: **29/506,228**

(22) Filed: **Oct. 14, 2014**

(30) **Foreign Application Priority Data**

Apr. 28, 2014 (ES) 519219

(51) **LOC (10) Cl.** **22-01**

(52) **U.S. Cl.**
USPC **D22/109**

(58) **Field of Classification Search**
USPC D22/108–109
CPC F41G 1/35; F41G 11/003; F41G 1/00;
F41G 1/36; F41G 1/34; F41G 3/26
See application file for complete search history.

(56) **References Cited**

U.S. PATENT DOCUMENTS

D612,756 S * 3/2010 D'Amelio D10/70
D612,757 S * 3/2010 D'Amelio D10/70
7,805,876 B1 * 10/2010 Danielson F41C 23/10
362/114

D709,585 S * 7/2014 Klecker D22/108
D738,987 S * 9/2015 Hughes D22/109
D740,388 S * 10/2015 Klecker D22/109
2002/0194767 A1 12/2002 Houde-Walter et al.
2006/0162225 A1* 7/2006 Danielson F41G 1/35
42/117
2008/0202010 A1* 8/2008 Matthews F41G 1/35
42/115
2010/0162610 A1 7/2010 Moore et al.

FOREIGN PATENT DOCUMENTS

WO WO 2012015983 A2 * 2/2012 F41G 1/35

* cited by examiner

Primary Examiner — Michael A Pratt

(74) *Attorney, Agent, or Firm* — Hayes Soloway, P.C.

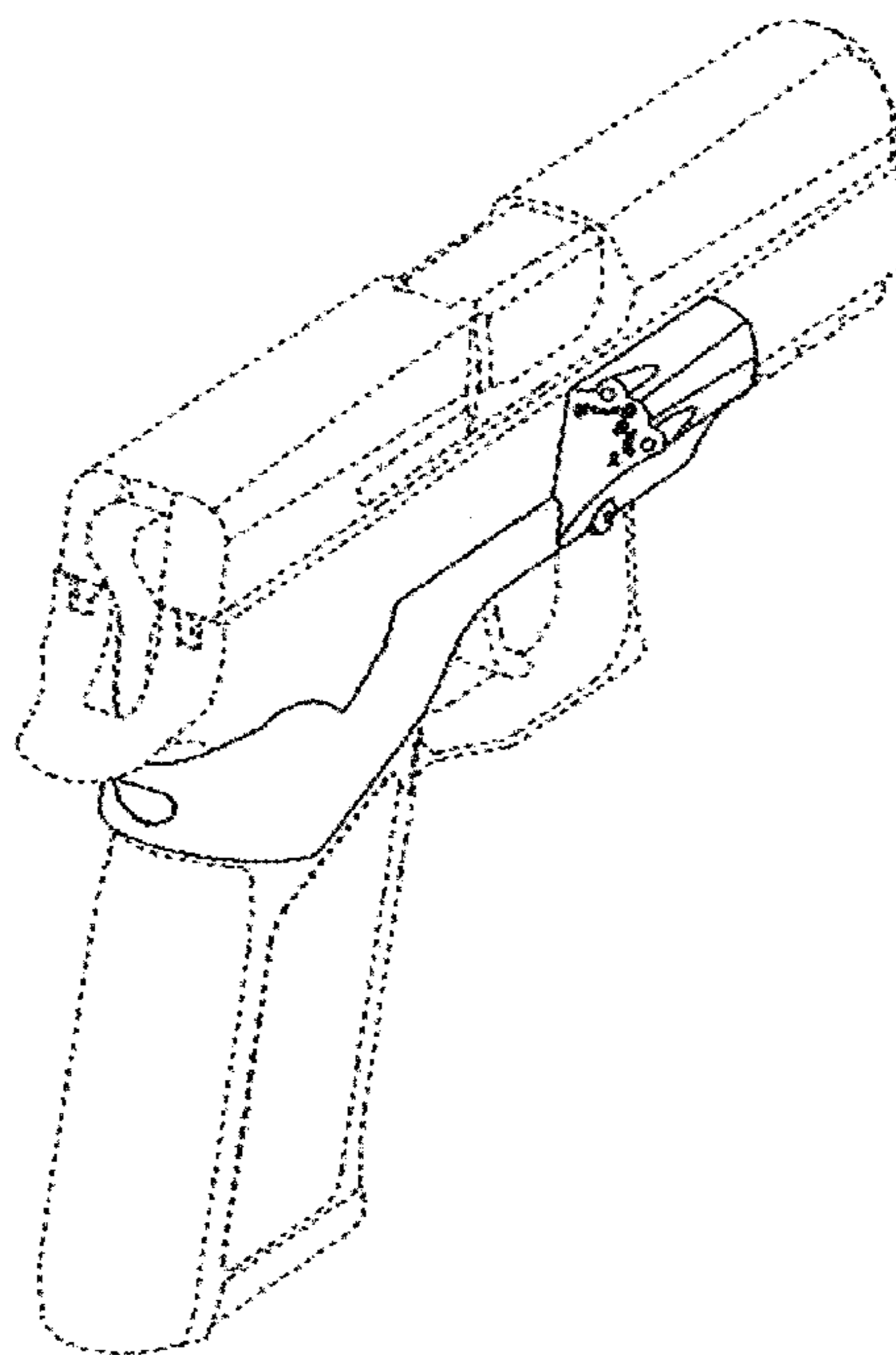
(57) **CLAIM**

We claim the ornamental design for a target-illuminating aiming device, as shown and described.

DESCRIPTION

FIG. 1 is a perspective view of the target-illuminating aiming device in an assembly in accordance with our invention; FIG. 2 is a rear view of the target illuminating aiming device; FIG. 3 is a bottom view of the target illuminating aiming device; FIG. 4 is a right side view of the target illuminating aiming device; FIG. 5 is a top view of the target illuminating aiming device; FIG. 6 is a front side view of the target illuminating aiming device; and, FIG. 7 is a left side view of the target illuminating aiming device.

1 Claim, 7 Drawing Sheets



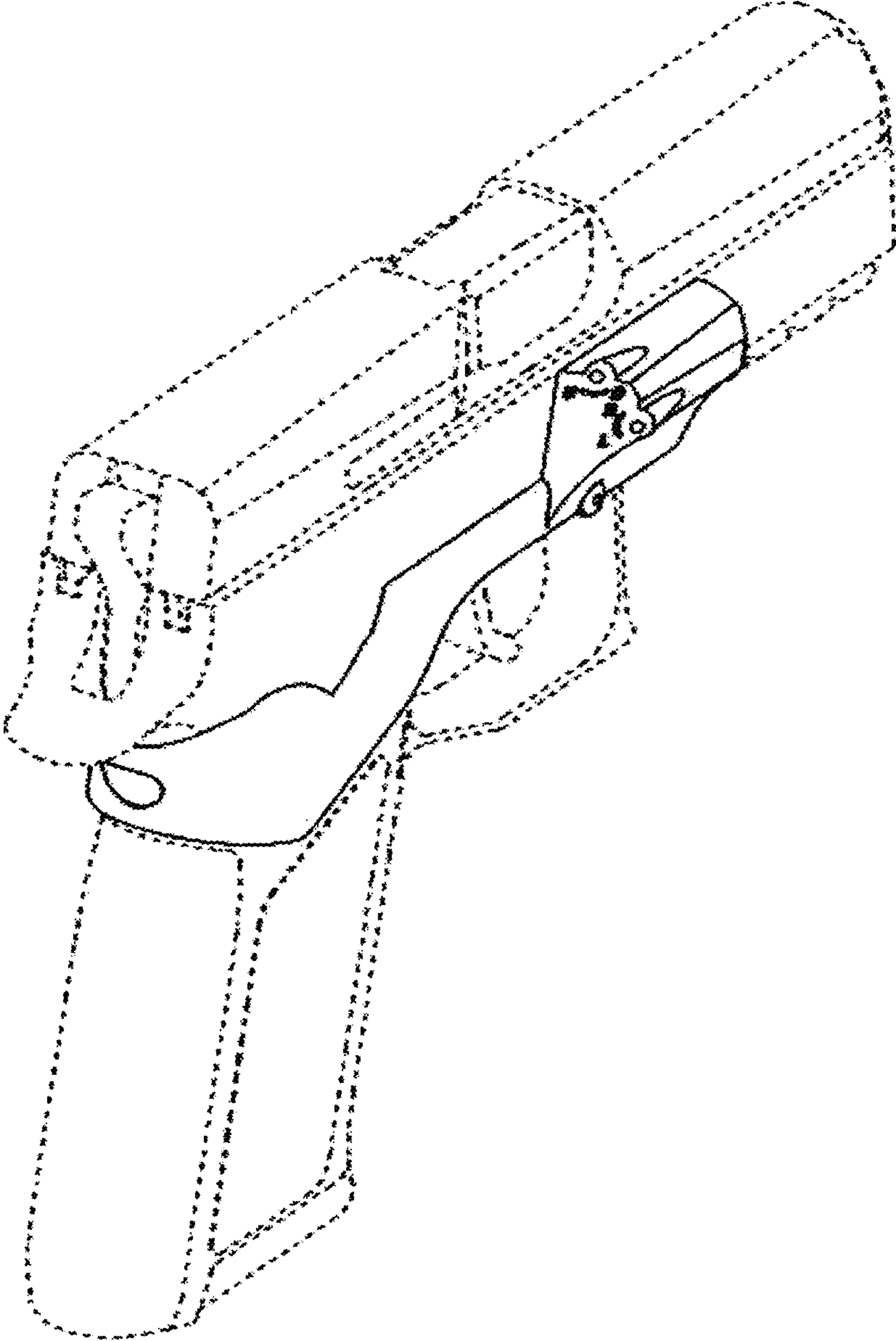


FIG. 1

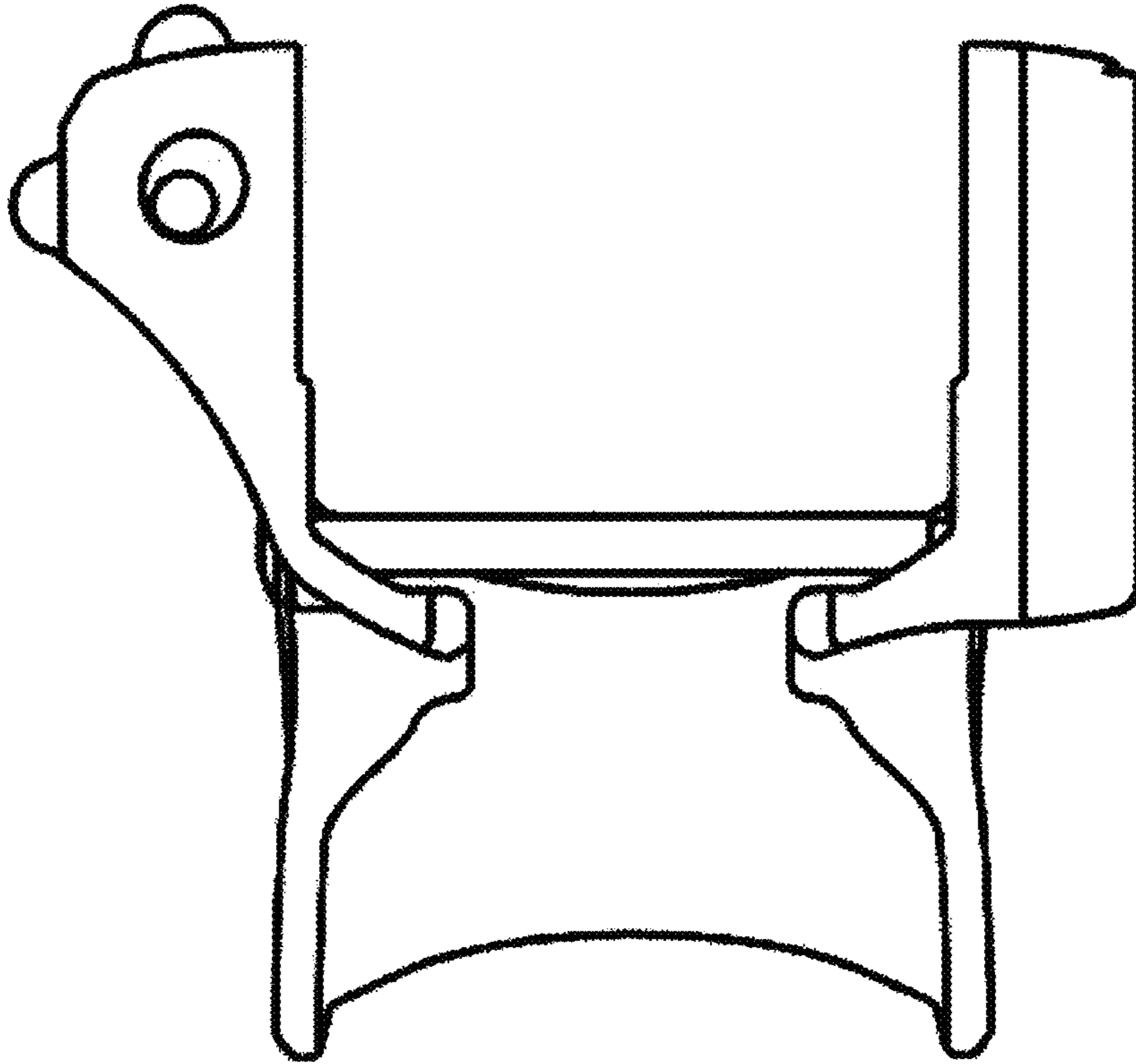


FIG. 2

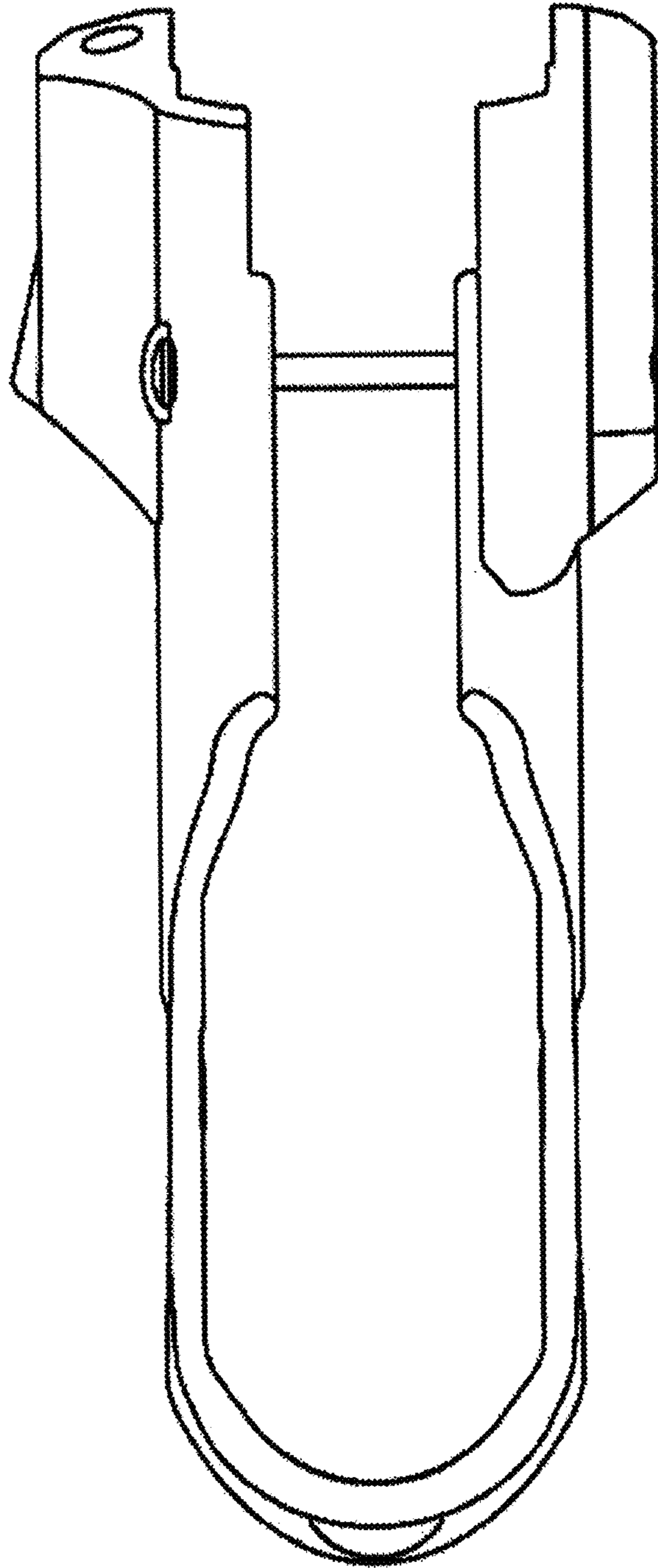


FIG. 3

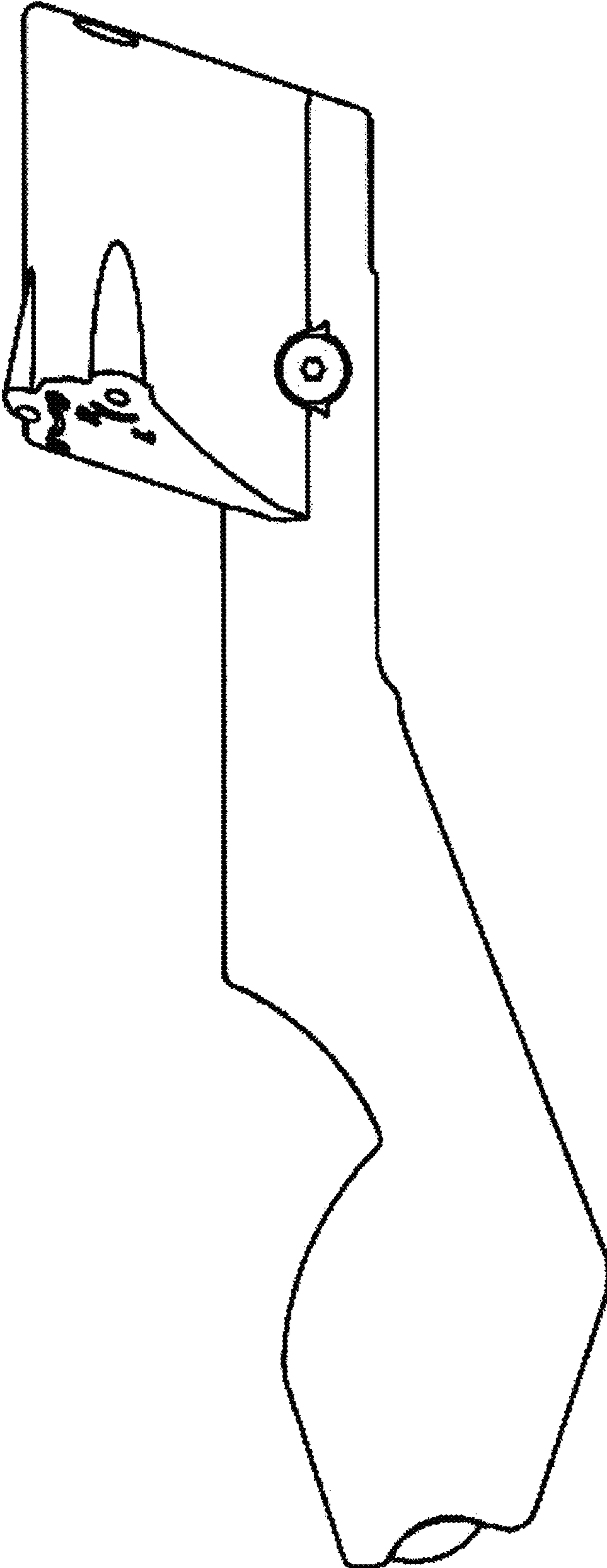


FIG. 4

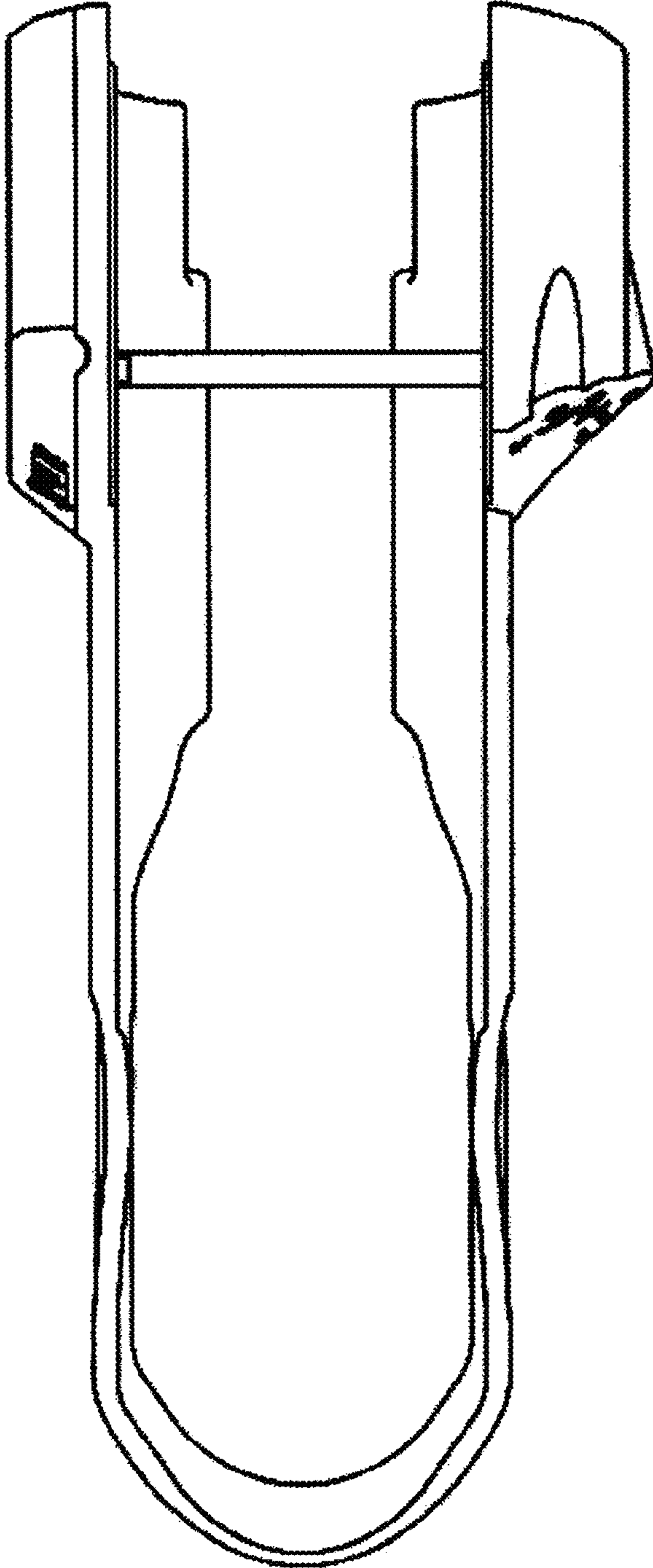


FIG. 5

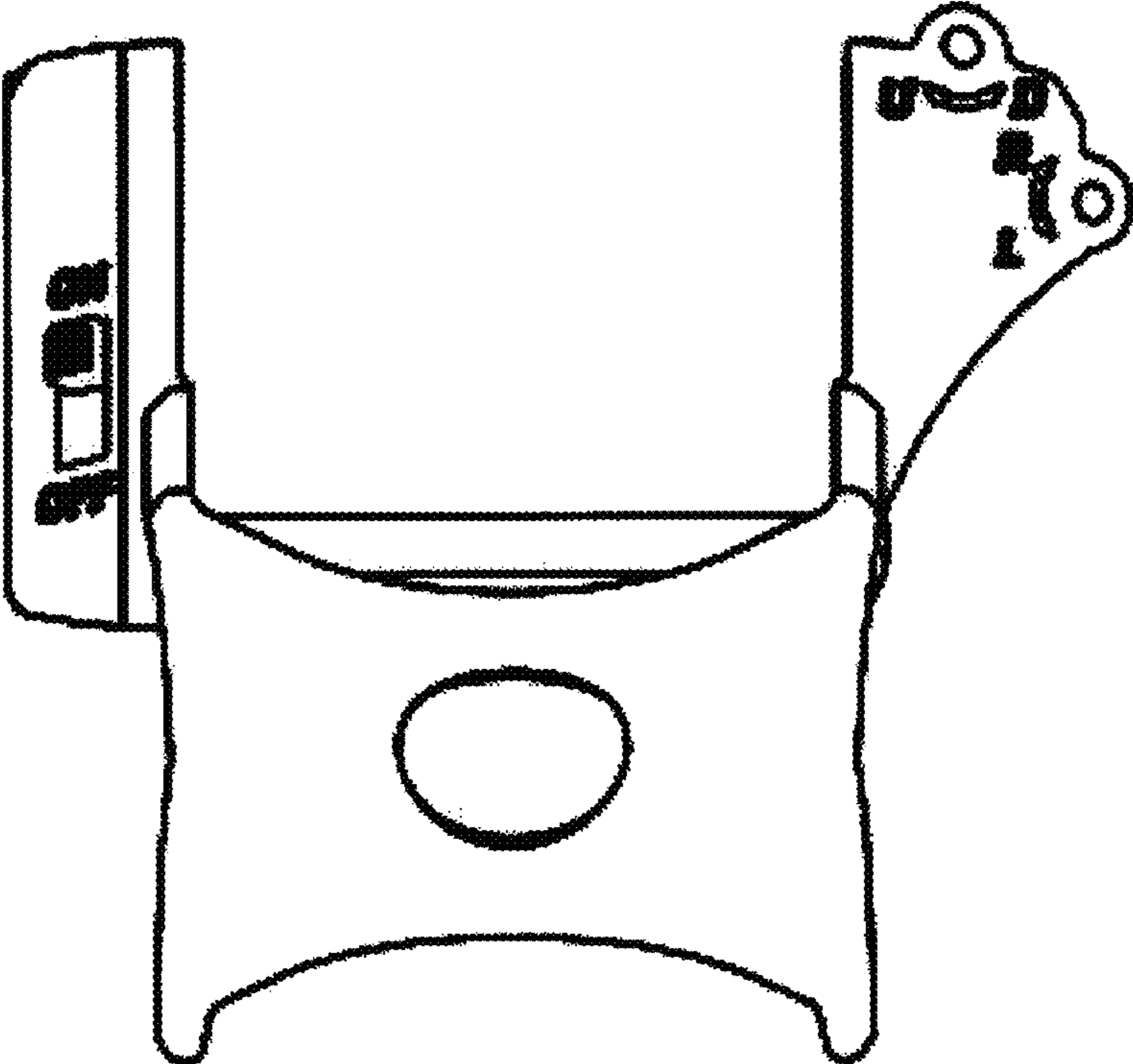


FIG. 6

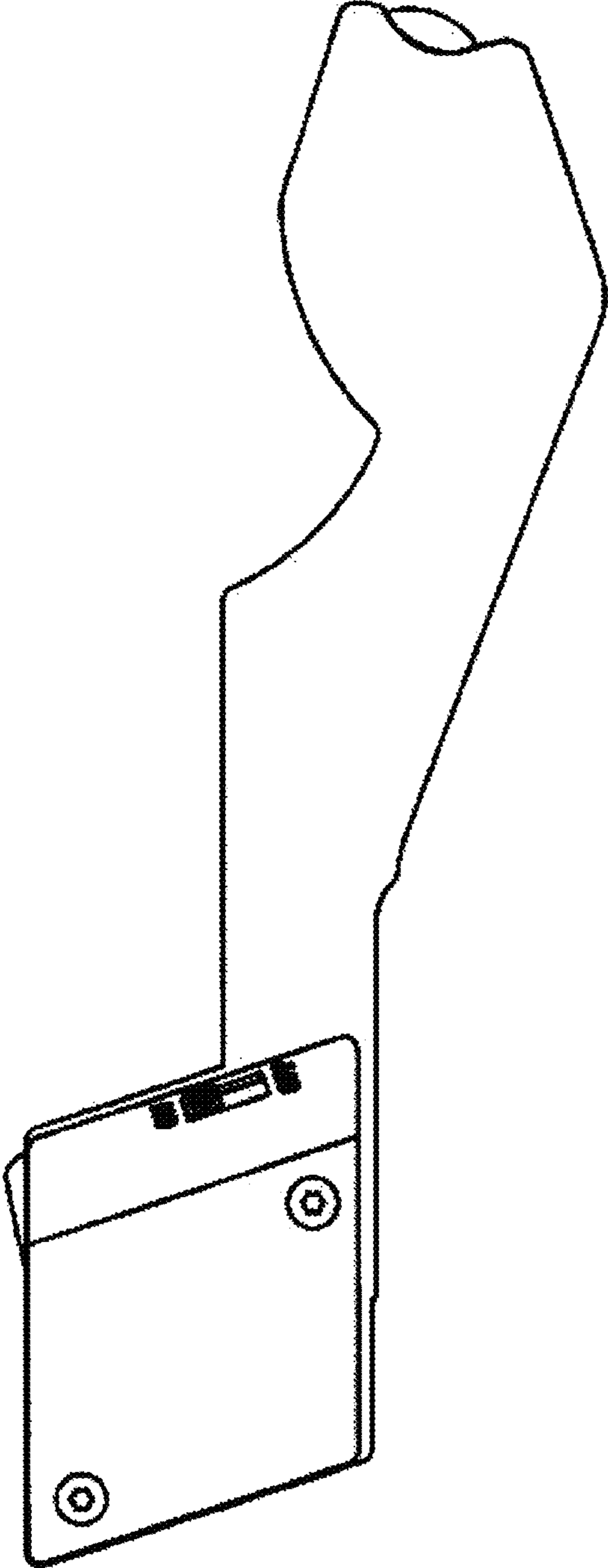


FIG. 7