



US00D757204S

(12) **United States Design Patent**  
**Chow et al.**

(10) **Patent No.:** **US D757,204 S**  
(45) **Date of Patent:** **\*\* May 24, 2016**

(54) **HAND GUARD FOR A FIREARM**

FOREIGN PATENT DOCUMENTS

(71) Applicant: **Magpul Industries Corporation**,  
Louisville, CO (US)

FR 2751062 5/1996  
WO WO 2004/085950 10/2004

(72) Inventors: **Eric H. Chow**, Highlands Ranch, CO  
(US); **Michael T. Mayberry**, Denver,  
CO (US); **Grady Barfoot**, Denver, CO  
(US)

OTHER PUBLICATIONS

BravoCompanyUSA\_com\_2007\_M4\_Hand\_Gaurd  
BravoCompanyUSA.com (Oct. 15, 2007) M4 Hand Gaurd; Website  
[Online] Available Web Site: <http://www.bravocompanyusa.com/M4-Handguards-Black-p/bcm%20handguards%20m4%20black.htm>;  
Last Update: Feb. 19, 2008; Accessed on Feb. 23, 2011.

(73) Assignee: **Magpul Industries Corporation**,  
Louisville, CO (US)

(Continued)

(\*\*) Term: **14 Years**

*Primary Examiner* — Michael A Pratt

(21) Appl. No.: **29/511,992**

(74) *Attorney, Agent, or Firm* — Swanson & Bratschun,  
L.L.C.

(22) Filed: **Dec. 16, 2014**

(57) **CLAIM**

(51) **LOC (10) Cl.** ..... **22-01**

The ornamental design for a hand guard for a firearm, as  
shown and described.

(52) **U.S. Cl.**  
USPC ..... **D22/108**

**DESCRIPTION**

(58) **Field of Classification Search**  
USPC ..... D22/108; D8/68  
CPC ..... F41C 23/10; F41C 23/14; F41C 23/16;  
F41C 23/18  
See application file for complete search history.

FIG. 1 is a right side elevation view of a hand guard for a  
firearm attached to a firearm showing our new design;  
FIG. 2 is a left, front, bottom view of the hand guard for a  
firearm of FIG. 1;  
FIG. 3 is a right side elevation view of the hand guard for a  
firearm of FIG. 1, the left side elevation view being a mirror  
image thereof;  
FIG. 4 is a bottom plan view of the hand guard for a firearm of  
FIG. 1;  
FIG. 5 is a top plan view of the hand guard for a firearm of  
FIG. 1;  
FIG. 6 is a front elevation view of the hand guard for a firearm  
of FIG. 1; and,  
FIG. 7 is a rear elevation view of the hand guard for a firearm  
of FIG. 1.  
The broken lines showing portions of the design in all figures  
are included for the purpose of illustrating environment and  
unclaimed features and form no part of the claimed design.

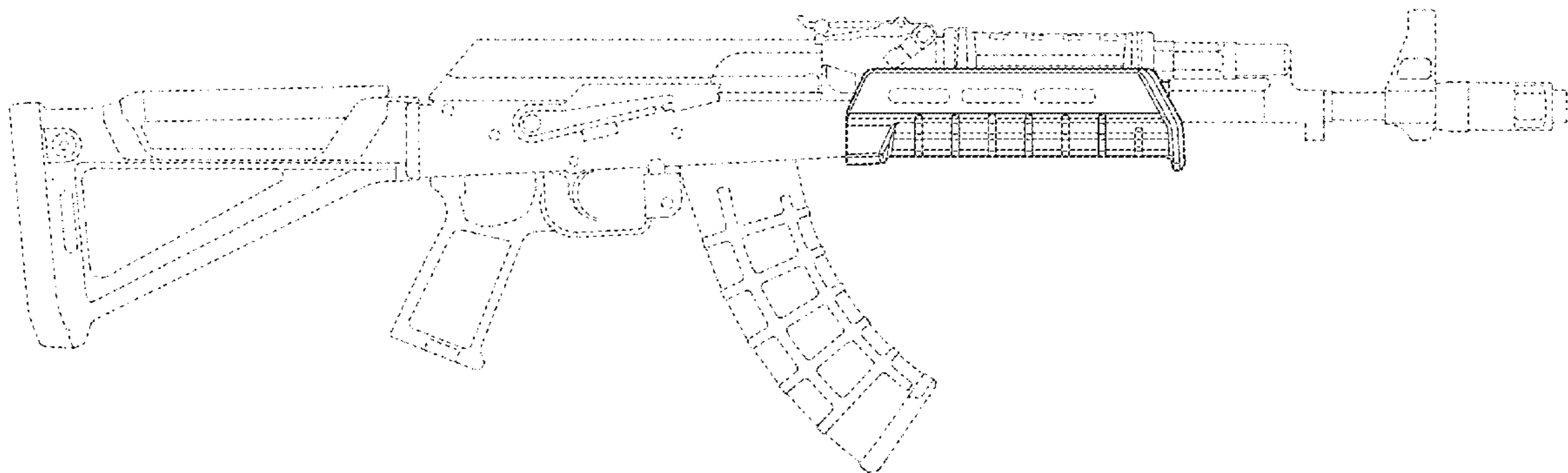
(56) **References Cited**

U.S. PATENT DOCUMENTS

|           |    |         |               |
|-----------|----|---------|---------------|
| 2,023,929 | A  | 12/1935 | Loomis        |
| 3,242,608 | A  | 3/1966  | Heppard       |
| 3,512,290 | A  | 5/1970  | Violette, Jr. |
| 4,406,080 | A  | 9/1983  | Badali        |
| 4,536,982 | A  | 8/1985  | Bredbury      |
| 4,663,875 | A  | 5/1987  | Tatro         |
| D297,450  | S  | 8/1988  | Florida       |
| 5,010,676 | A  | 4/1991  | Kennedy       |
| 6,243,978 | B1 | 6/2001  | Vignaroli     |
| 6,609,321 | B2 | 8/2003  | Faifer        |

(Continued)

**1 Claim, 4 Drawing Sheets**



(56)

References Cited

U.S. PATENT DOCUMENTS

|              |      |         |              |                        |
|--------------|------|---------|--------------|------------------------|
| D486,547     | S    | 2/2004  | Faifer       |                        |
| D507,619     | S    | 7/2005  | Shiloni      |                        |
| 7,571,671    | B2   | 8/2009  | Engel        |                        |
| D615,142     | S    | 5/2010  | Bentley      |                        |
| D636,453     | S    | 4/2011  | Fitzpatrick  |                        |
| 8,051,595    | B2   | 11/2011 | Hochstrate   |                        |
| D656,215     | S    | 3/2012  | Fitzpatrick  |                        |
| D672,838     | S    | 12/2012 | Mayberry     |                        |
| 8,448,367    | B2   | 5/2013  | Samson       |                        |
| 8,522,468    | B2   | 9/2013  | Webber       |                        |
| D708,694     | S    | 7/2014  | Wells        |                        |
| D710,964     | S    | 8/2014  | Chvala       |                        |
| D718,405     | S    | 11/2014 | Fitzpatrick  |                        |
| D722,356     | S    | 2/2015  | Keller       |                        |
| D728,722     | S    | 5/2015  | Peterson     |                        |
| D728,723     | S    | 5/2015  | Peterson     |                        |
| 9,121,664    | B2   | 9/2015  | Fitzpatrick  |                        |
| D745,627     | S *  | 12/2015 | Kielsmeier   | D22/108                |
| D750,188     | S *  | 2/2016  | Fitzpatrick  | D22/108                |
| 2011/0119982 | A1   | 5/2011  | Webber       |                        |
| 2012/0198990 | A1 * | 8/2012  | Brittin      | F41A 5/26<br>89/191.01 |
| 2013/0205636 | A1 * | 8/2013  | Shull        | F41C 23/16<br>42/72    |
| 2014/0157639 | A1   | 6/2014  | Larson       |                        |
| 2014/0196342 | A1   | 7/2014  | Syregelas    |                        |
| 2014/0331538 | A1 * | 11/2014 | Spiegelhauer | F41C 23/16<br>42/71.01 |

OTHER PUBLICATIONS

Bushmaster\_com\_Disassembly\_Views\_AR15\_Rifle  
 Bushmaster.com; Disassembly Views of the Bushmaster AR15 Rifle;  
 Website [Online] Available Web Site: [http://www.bushmaster.com/  
 documentation/AR51%20PBRifleBBLAssembly.pdf](http://www.bushmaster.com/documentation/AR51%20PBRifleBBLAssembly.pdf); Last Update:  
 unknown; Accessed on May 9, 2011.

Bushmaster\_com\_2007\_Schematic\_Parts\_Poster\_M4A3\_Car-  
 bine Bushmaster.com (2007) Schematic Parts Poster for Bushmaster  
 M4A3 Carbine; Website [Online] Available Web Site: [http://www.  
 bushmaster.com/electronic-documents/2007Catalogv1/Page40-  
 41Schematic2007.pdf](http://www.bushmaster.com/electronic-documents/2007Catalogv1/Page40-41Schematic2007.pdf); Last Update: unknown; Accessed on May 9,  
 2011.

DSArms\_com\_SA58\_FAL\_Spartan\_Tactical\_Rifle DSArms.  
 com, SA58 FAL Spartan Tactical Rifle .308 Caliber—  
 SA58SPNTAC; Website [Online] Available Web Site: [http://www.  
 dsarms.com/SA58-FAL-Spartan-Tactical-Rifle-308-Caliber---  
 SA58SPNTAC/productinfo/SA58SPNTAC/](http://www.dsarms.com/SA58-FAL-Spartan-Tactical-Rifle-308-Caliber---SA58SPNTAC/productinfo/SA58SPNTAC/); Last Update:  
 unknown; Accessed on Feb. 23, 2011.

Krebs\_Custom\_2014\_KV-13 Krebs Custom (Sep. 10, 2014) Krebs  
 Custom KV-13; Website [Online] Available Website: [http://www.  
 krebscustom.com/kv-13.aspx](http://www.krebscustom.com/kv-13.aspx); Last Update: Unknown; Accessed on:  
 Mar. 6, 2014.

Krebs\_Custom\_2013\_AK\_Forend Krebs Custom (Dec. 26, 2013)  
 AK Forend; Website [Online] Available Website: [http://www.  
 krebscustom.com/ak-forend.aspx](http://www.krebscustom.com/ak-forend.aspx); Last Update: Unknown; Accessed  
 on: Mar. 6, 2015.

Mossberg\_Owners\_Manual\_PartNo\_12173\_Rev\_H Mossberg  
 Owners Manual for 500, 835 and 590 Model Pump Action Shotguns,  
 Part No. 12173, Rev. H.

Design U.S. Appl. No. 29/500,587, “Firearm Foregrip” filed Aug. 26,  
 2014.

U.S. Appl. No. 14/094,176, “Forend for a Pump Action Firearm” filed  
 Dec. 2, 2013.

Design U.S. Appl. No. 29/487,942, “Hand Guard for a Firearm” filed  
 Apr. 14, 2014.

Design U.S. Appl. No. 29/511,748, “Hand Guard for a Firearm” filed  
 Dec. 12, 2014.

Design U.S. Appl. No. 29/511,753, “Hand Guard Upper for a Fire-  
 arm” filed Dec. 12, 2014.

Design U.S. Appl. No. 29/511,760, “Hand Guard for a Firearm” filed  
 Dec. 12, 2014.

\* cited by examiner

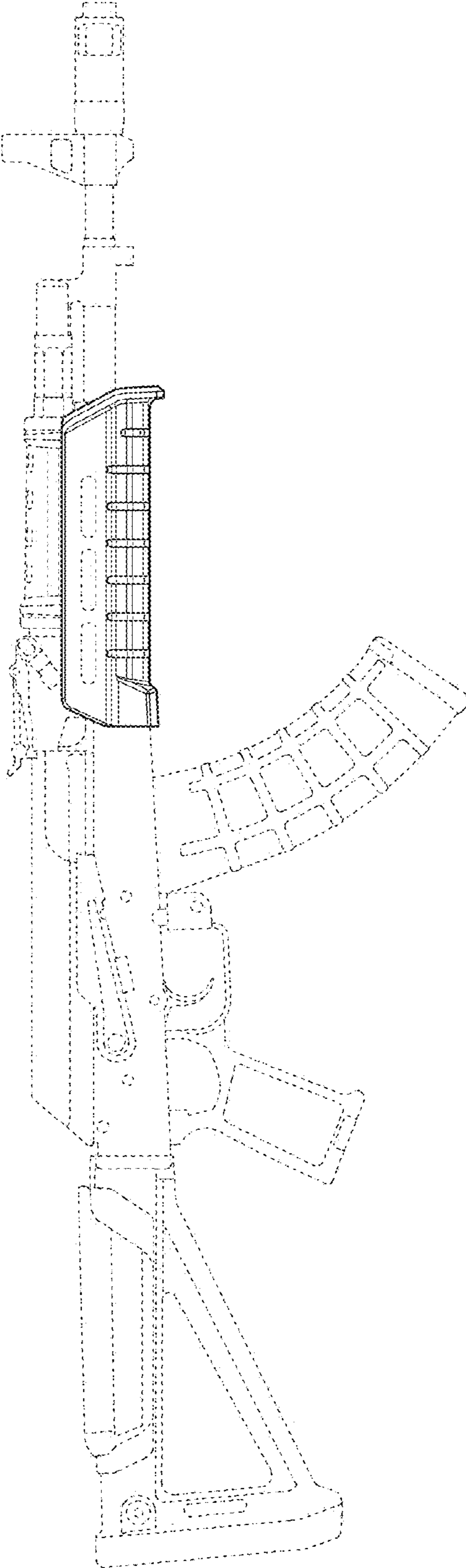


FIG. 1

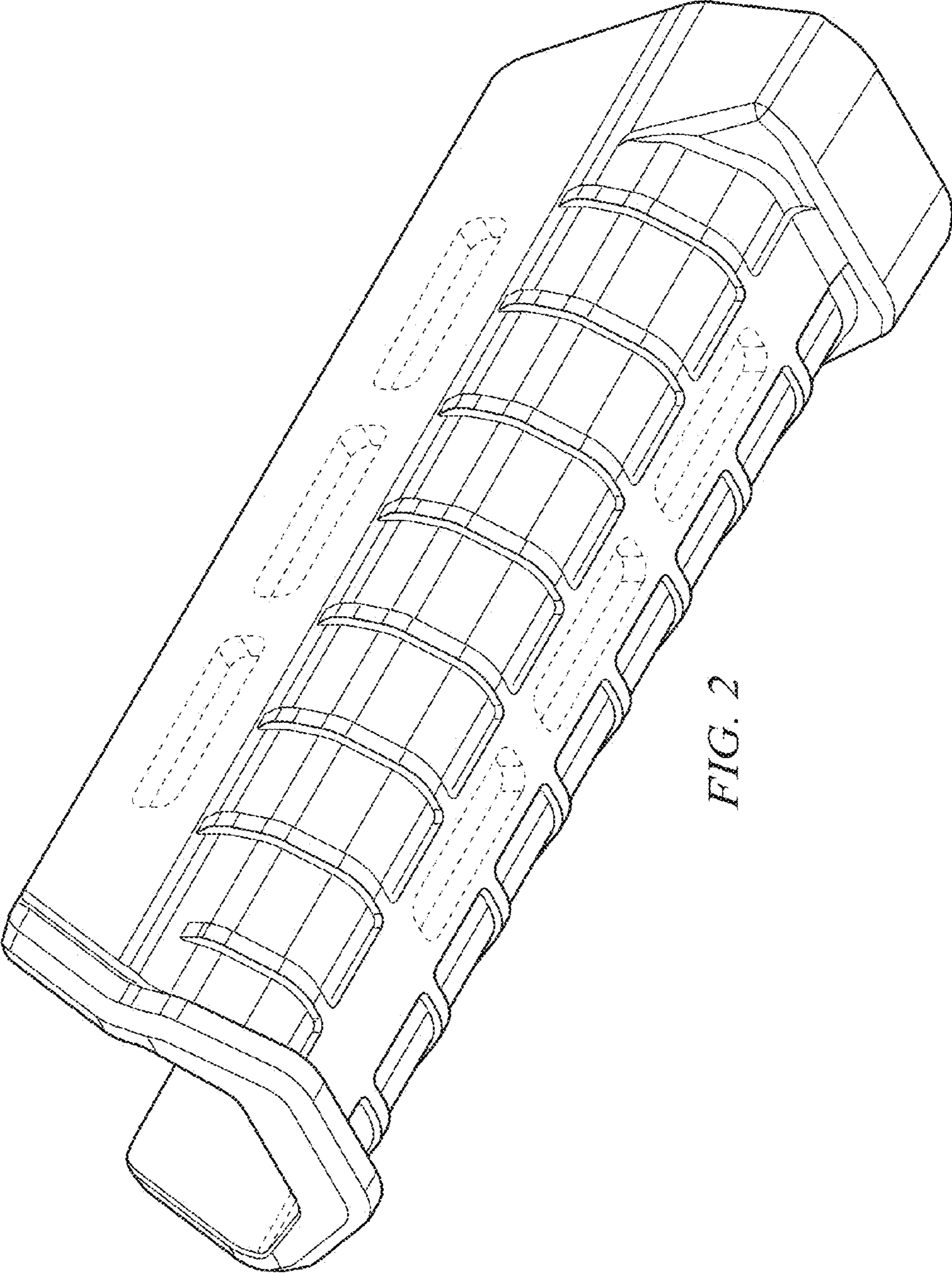


FIG. 2

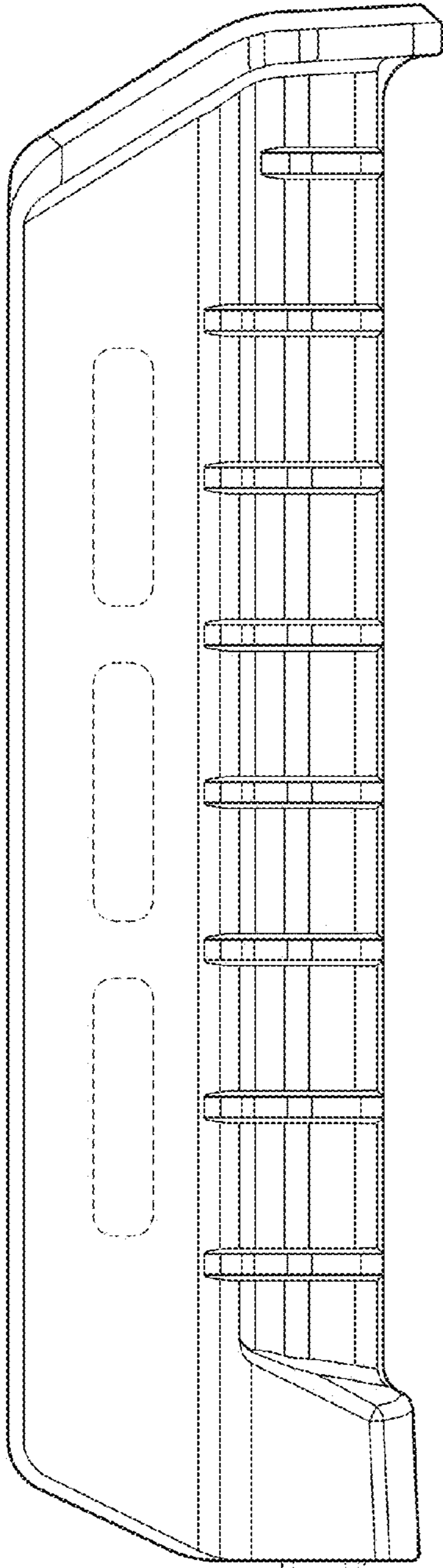


FIG. 3

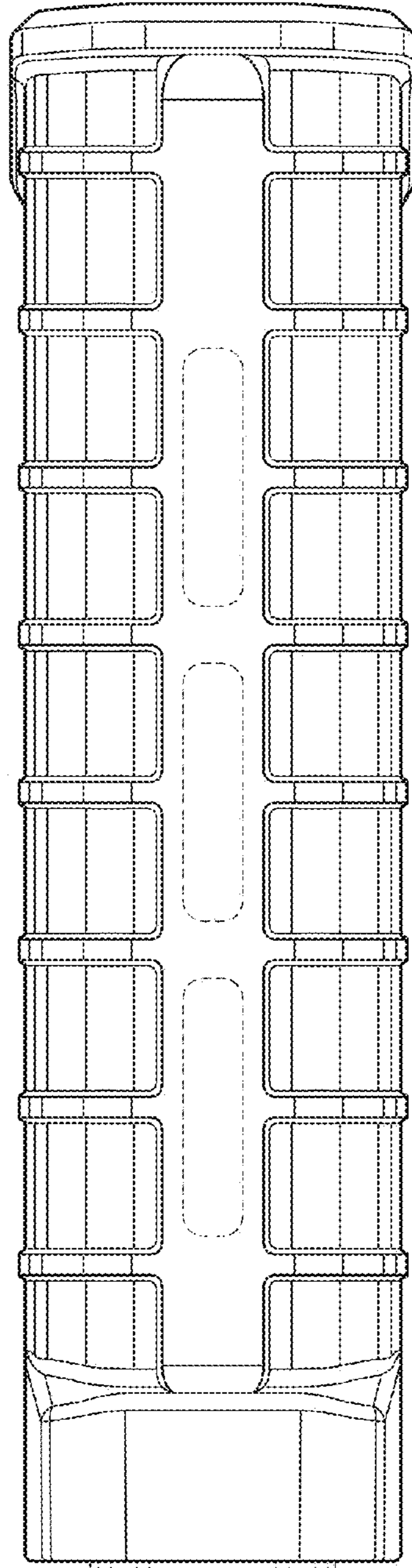


FIG. 4

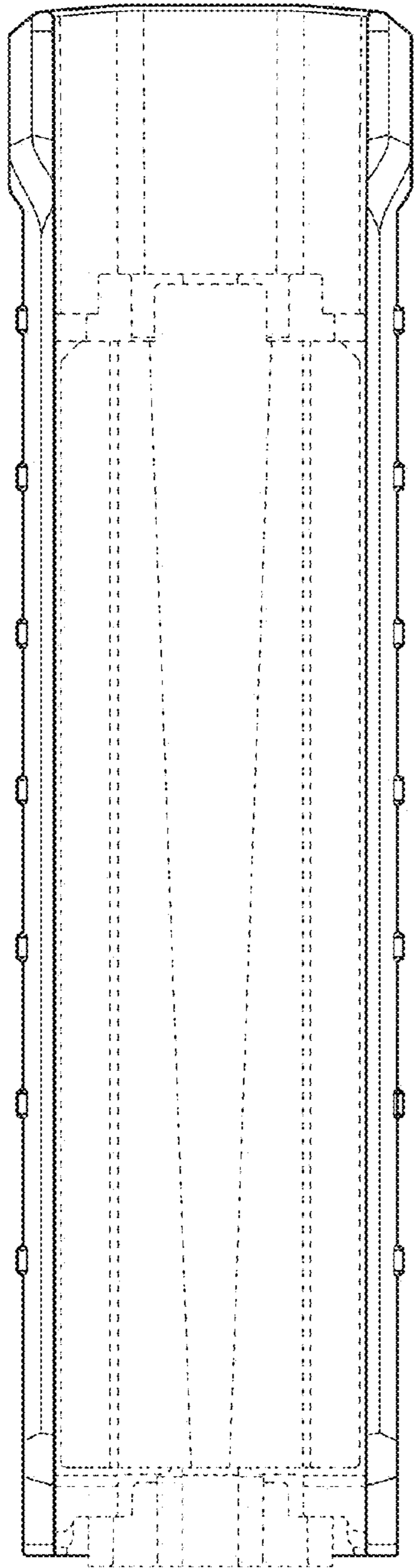


FIG. 5

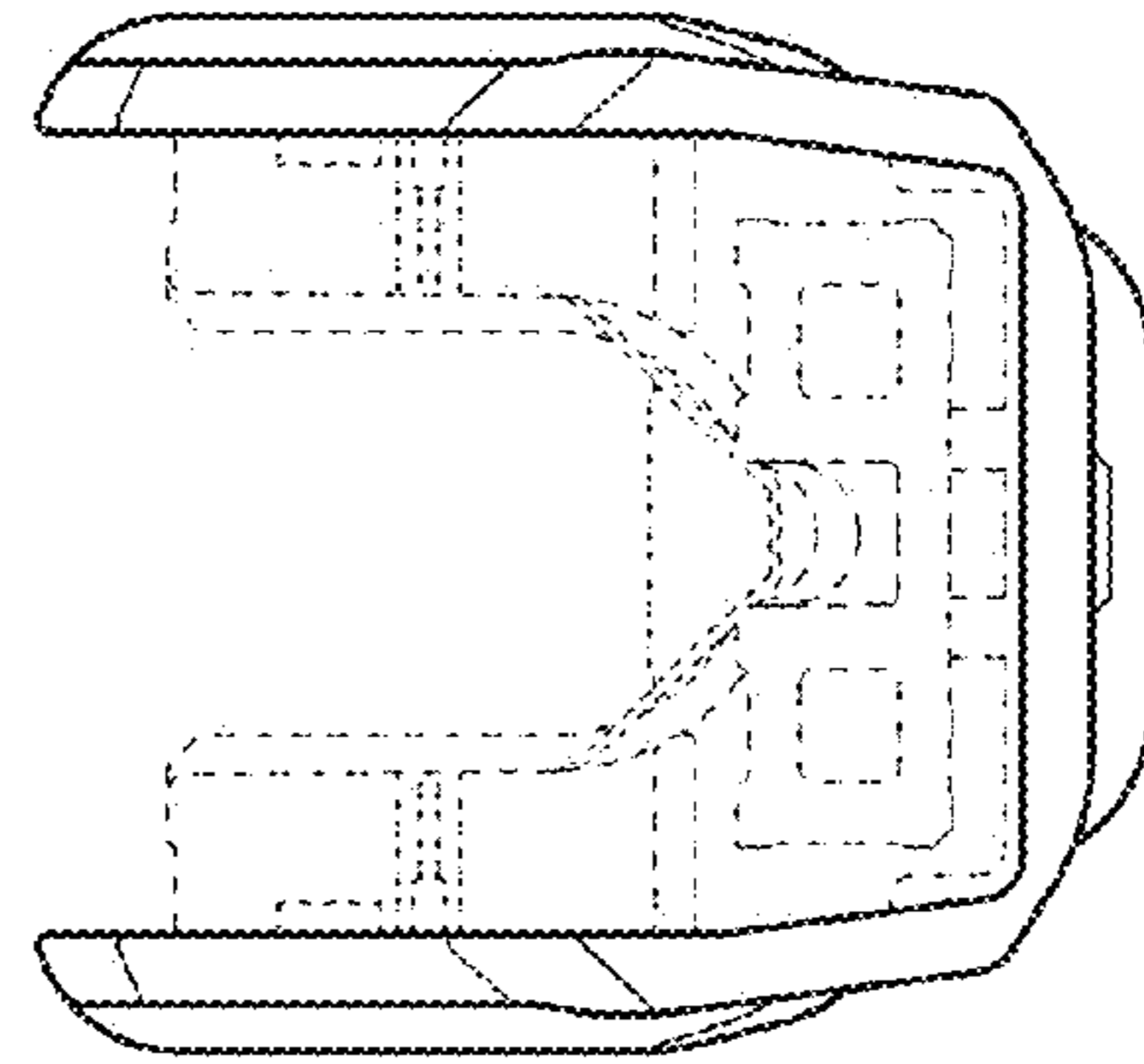


FIG. 7

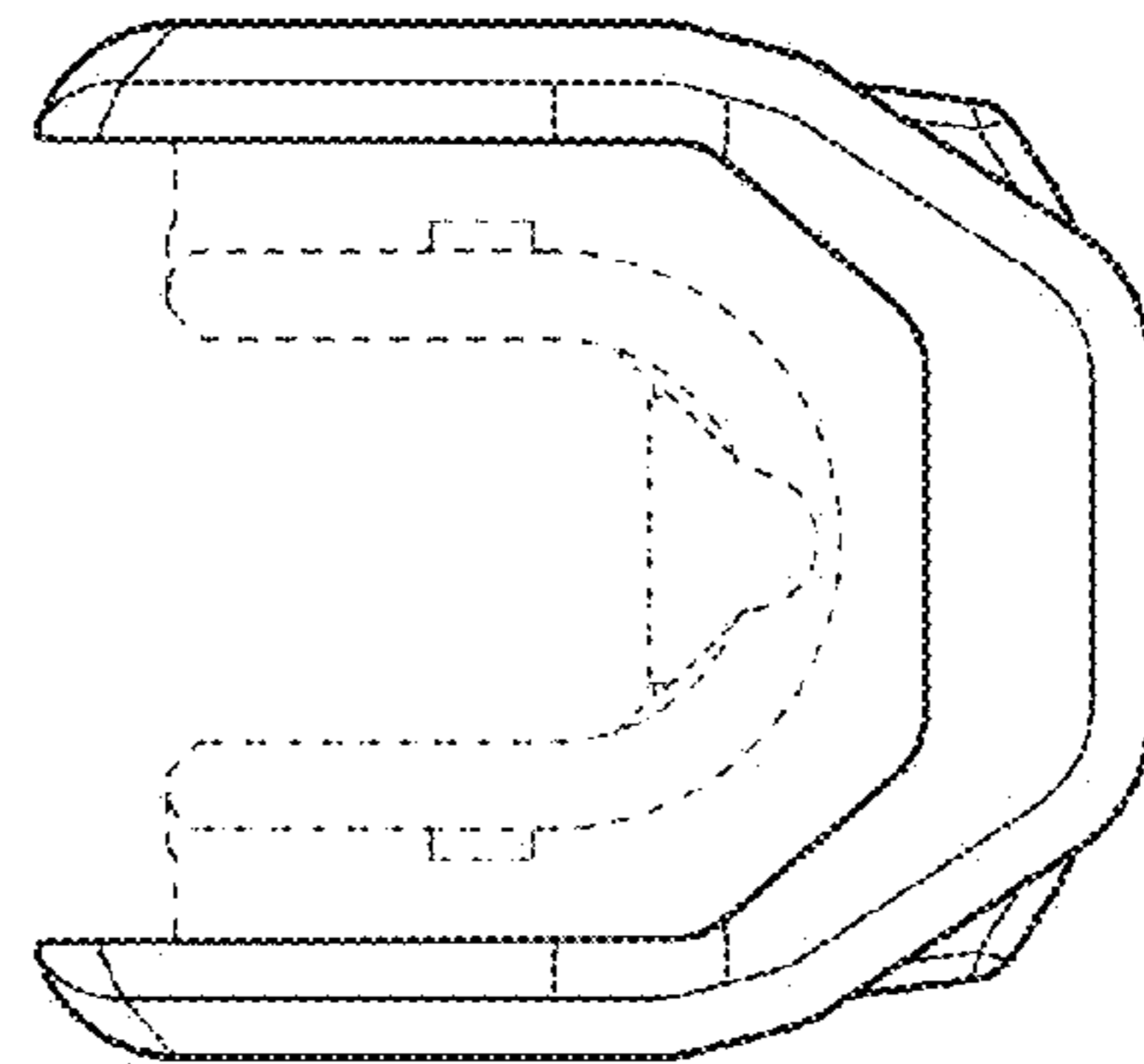


FIG. 6