

US00D757201S

(12) **United States Design Patent**
Meier

(10) **Patent No.:** **US D757,201 S**

(45) **Date of Patent:** **** May 24, 2016**

(54) **RIFLE COMPONENT**

(71) Applicant: **Michael Meier**, Thornton, CO (US)

(72) Inventor: **Michael Meier**, Thornton, CO (US)

(73) Assignee: **Helvetic Design Corporation**, Thornton, CO (US)

(**) Term: **14 Years**

(21) Appl. No.: **29/508,076**

(22) Filed: **Nov. 3, 2014**

(51) **LOC (10) Cl.** **22-01**

(52) **U.S. Cl.**
USPC **D22/108**

(58) **Field of Classification Search**
USPC D22/108; D8/68
CPC F41C 23/10; F41C 23/14; F41C 23/16;
F41C 23/18
See application file for complete search history.

(56) **References Cited**

U.S. PATENT DOCUMENTS

D477,855 S *	7/2003	Selvaggio	D22/108
D613,811 S *	4/2010	Swan	D22/108
D680,186 S *	4/2013	Fesas	D22/108
8,522,467 B1 *	9/2013	Christensen	F41C 23/16 42/71.01
D710,964 S *	8/2014	Chvala	D22/108
D720,421 S *	12/2014	Chen	D22/108
8,904,691 B1 *	12/2014	Kinzel	F41C 23/16 42/71.01
D721,407 S *	1/2015	Chu	D21/574

9,121,664 B2 *	9/2015	Fitzpatrick	F41C 23/16
D744,054 S *	11/2015	Peterson	D22/108
D746,399 S *	12/2015	Folkestad, II	D22/108
2007/0017139 A1 *	1/2007	Larue	F41C 23/16 42/75.1
2014/0130390 A1 *	5/2014	Geissele	F41C 23/16 42/71.01

* cited by examiner

Primary Examiner — Michael A Pratt

(74) *Attorney, Agent, or Firm* — Smith Moore Leatherwood LLP; Thomas W. Epting

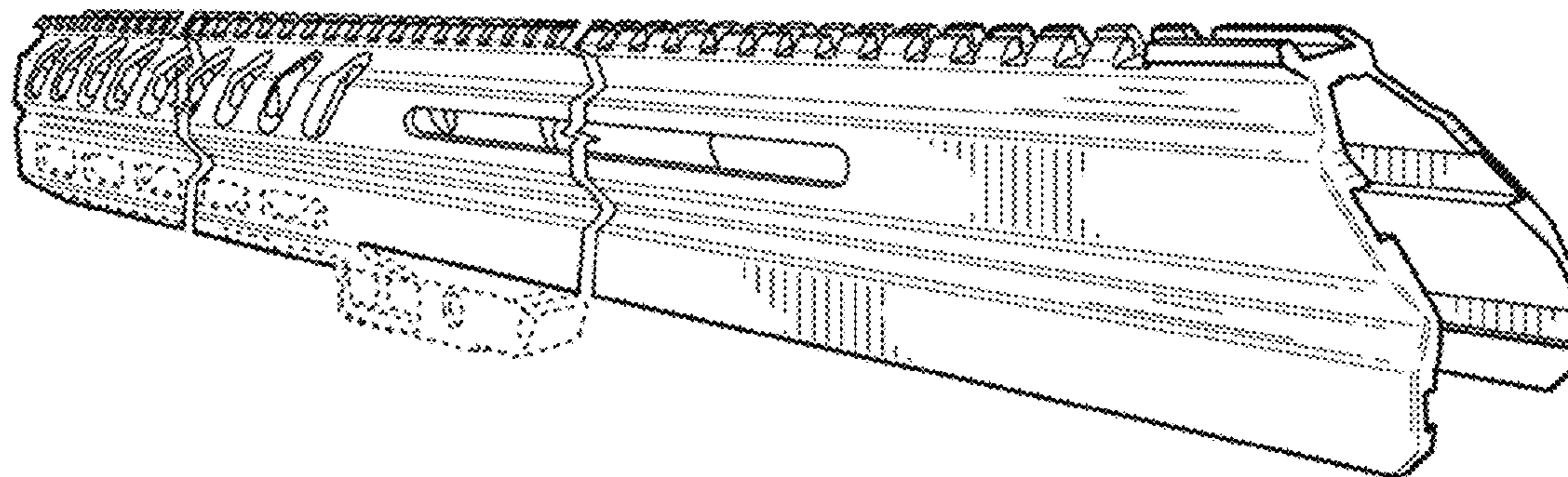
(57) **CLAIM**

The ornamental design for a rifle component, as shown and described.

DESCRIPTION

FIG. 1 is a perspective view of an embodiment of a rifle component showing my new design; FIG. 2 is a top plan view thereof; FIG. 3 is bottom plan view thereof; FIG. 4 is a left side elevational view thereof; FIG. 5 is a right side elevational view thereof; FIG. 6 is a rear elevational view thereof; and, FIG. 7 is a front elevational view thereof. The broken away symbols in the drawings views 1 through 7 indicate the appearance of any portion of the rifle component between the break lines forms no part of the claimed design. The broken lines shown in the drawings are for environmental purposes only and form no part of the claimed design.

1 Claim, 6 Drawing Sheets



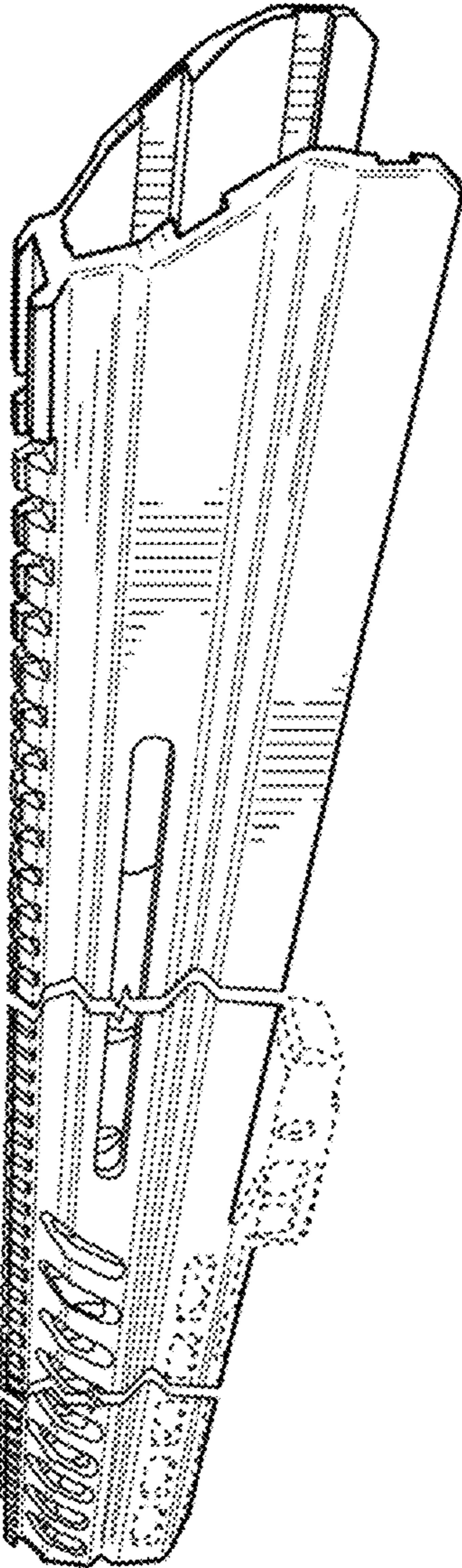


FIG. 1

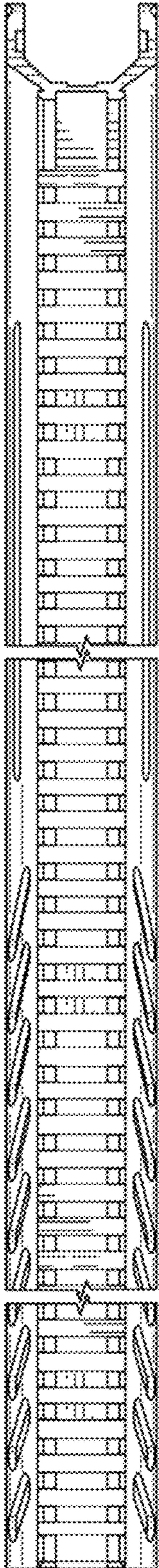


FIG. 2

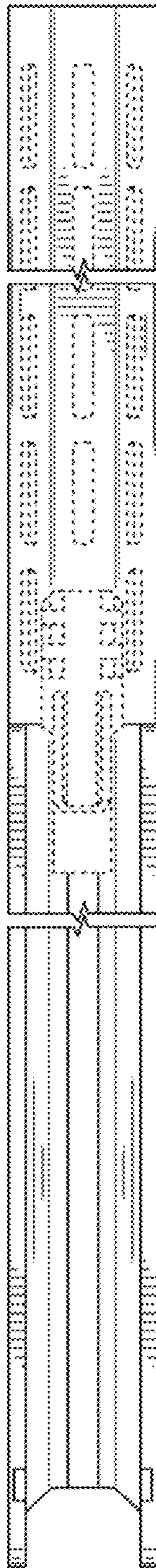


FIG. 3

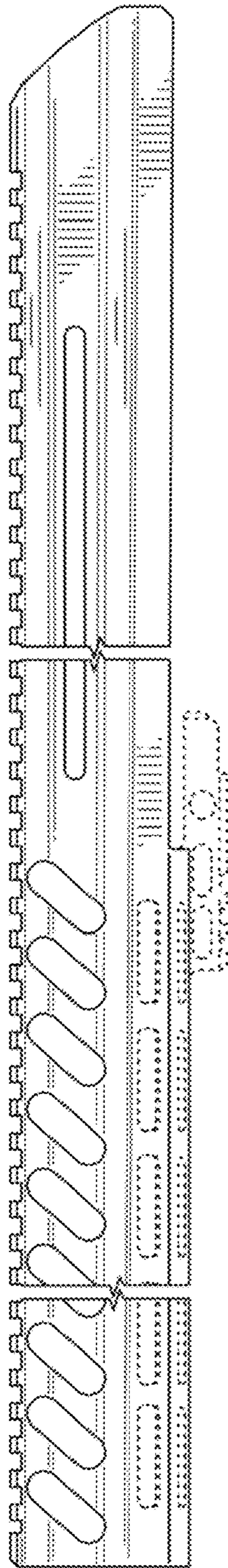


FIG. 4

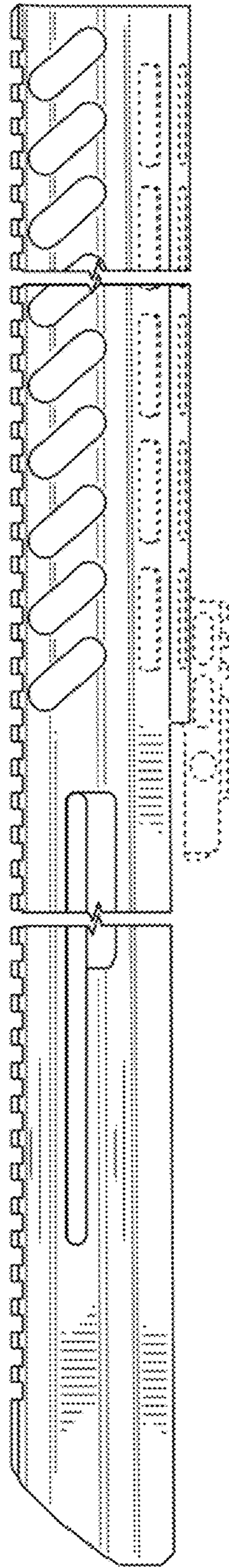


FIG. 5

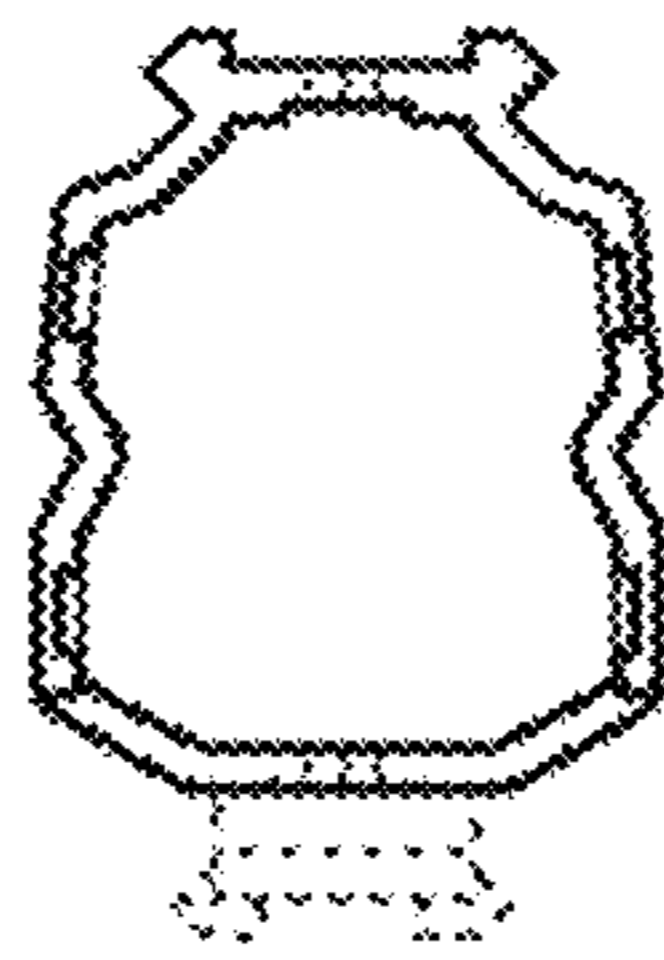


FIG. 6

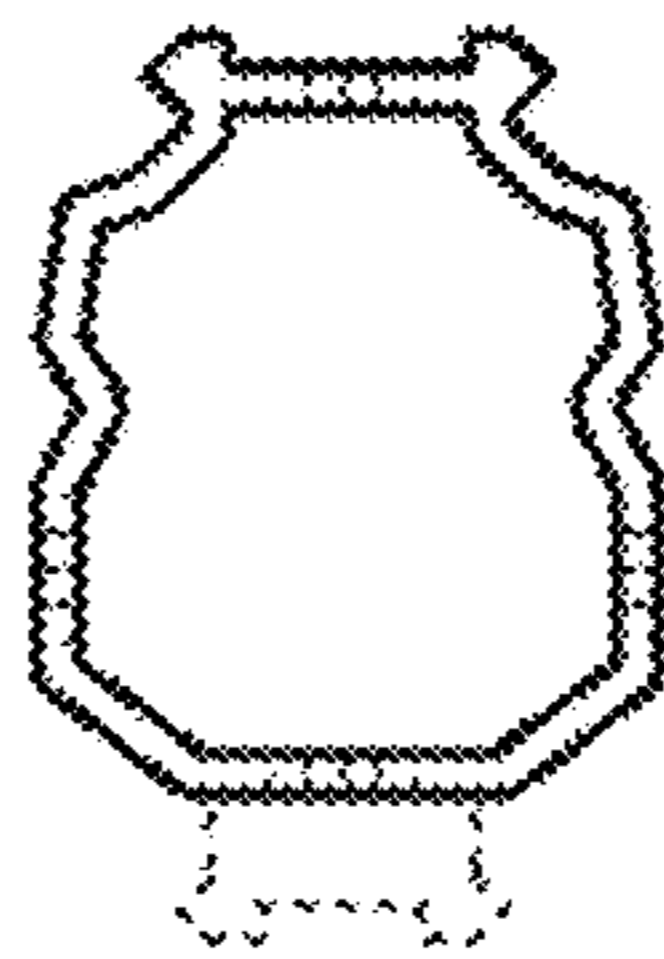


FIG. 7