



US00D757200S

(12) **United States Design Patent**  
**Schefter**

(10) **Patent No.:** **US D757,200 S**

(45) **Date of Patent:** **\*\* May 24, 2016**

- (54) **AMMUNITION MAGAZINE RISER**
- (71) Applicant: **HEXMAG, LLC**, Loveland, CO (US)
- (72) Inventor: **Aaron M. Schefter**, Loveland, CO (US)
- (73) Assignee: **HEXMAG, LLC**, Loveland, CO (US)
- (\*\*) Term: **14 Years**
- (21) Appl. No.: **29/507,169**
- (22) Filed: **Oct. 24, 2014**
- (51) **LOC (10) Cl.** ..... **22-01**
- (52) **U.S. Cl.**  
USPC ..... **D22/108**
- (58) **Field of Classification Search**  
USPC ..... D22/103, 108; D21/572-573  
CPC ..... F41A 9/70; F41A 9/65; F41A 9/71;  
F41A 9/68; F41A 9/69; F41A 11/02; F41A  
9/61; F41A 9/00; F41A 9/17; F41A 9/23;  
F41A 9/34; F41A 9/84  
See application file for complete search history.

- D615,143 S 5/2010 Fitzpatrick et al.
- D616,057 S 5/2010 Fitzpatrick et al.
- D620,544 S 7/2010 Fitzpatrick et al.
- D620,545 S 7/2010 Fitzpatrick et al.
- D632,752 S 2/2011 Fitzpatrick et al.
- D633,164 S 2/2011 Fitzpatrick et al.
- D633,589 S 3/2011 Fitzpatrick et al.
- D633,590 S 3/2011 Fitzpatrick et al.
- 7,908,780 B2 3/2011 Fitzpatrick et al.
- D637,682 S 5/2011 Bentley et al.
- D639,377 S 6/2011 Marconi
- 7,958,660 B2 6/2011 Fitzpatrick et al.
- D642,234 S 7/2011 Marfione et al.
- D644,292 S 8/2011 Nelsen
- D644,293 S 8/2011 Fitzpatrick et al.
- D645,111 S 9/2011 Sullivan et al.
- D645,112 S 9/2011 Sullivan et al.
- D645,113 S 9/2011 Fitzpatrick et al.

(Continued)

**FOREIGN PATENT DOCUMENTS**

EP 2208957 A2 7/2010

*Primary Examiner* — Michael A Pratt

(74) *Attorney, Agent, or Firm* — Langlotz Patent & Trademark Works, Inc.; Bennet K. Langlotz

(56) **References Cited**  
**U.S. PATENT DOCUMENTS**

- 1,323,063 A 11/1919 Johnson et al.
- D290,866 S 7/1987 Chesnut
- D297,854 S 9/1988 Vyprachticky
- D309,768 S 8/1990 Blackshaw
- D344,780 S 3/1994 Jenkins
- D362,896 S 10/1995 Hasselbusch
- D566,221 S 4/2008 Collins
- D566,804 S 4/2008 Hahin
- D593,633 S 6/2009 Fitzpatrick et al.
- D593,635 S 6/2009 Fitzpatrick et al.
- D600,303 S 9/2009 Fitzpatrick et al.
- 7,621,063 B2 11/2009 Fitzpatrick et al.
- D614,719 S 4/2010 Fitzpatrick et al.
- D614,720 S 4/2010 Fitzpatrick et al.
- D614,721 S 4/2010 Fitzpatrick et al.

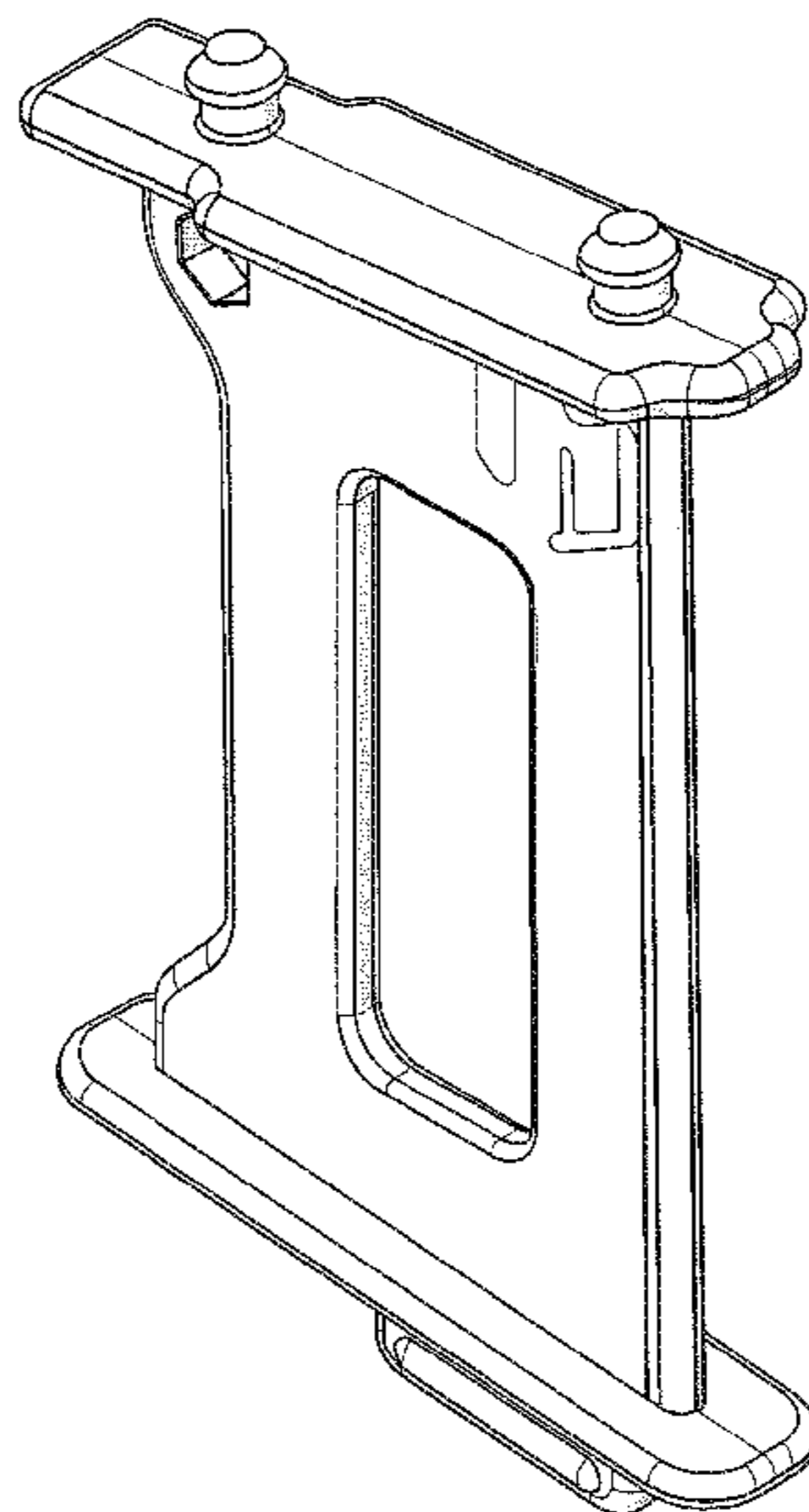
(57) **CLAIM**

The ornamental design for an ammunition magazine riser, as shown and described.

**DESCRIPTION**

FIG. 1 is an isometric view of an ammunition magazine riser showing my new design.  
 FIG. 2 is a left side elevation view thereof.  
 FIG. 3 is a right side elevation view thereof.  
 FIG. 4 is a top plan view thereof.  
 FIG. 5 is a bottom plan view thereof.  
 FIG. 6 is a rear elevation view thereof; and,  
 FIG. 7 is a front elevation view thereof.

**1 Claim, 7 Drawing Sheets**



(56)

**References Cited**

U.S. PATENT DOCUMENTS

D646,742 S 10/2011 Sullivan et al.  
D646,743 S 10/2011 Sullivan et al.  
D646,744 S 10/2011 Sullivan et al.  
8,061,071 B2 11/2011 Fitzpatrick et al.  
8,069,601 B1 12/2011 Fitzpatrick et al.  
8,166,692 B2 5/2012 Fitzpatrick et al.  
D666,270 S 8/2012 Taylor  
D667,915 S 9/2012 Nakayama et al.  
D670,350 S 11/2012 Emde

D672,837 S 12/2012 Wyatt  
D678,455 S 3/2013 Hatfield  
2009/0107022 A1 4/2009 Fitzpatrick et al.  
2010/0126053 A1 5/2010 Fitzpatrick et al.  
2010/0251590 A1 10/2010 Fitzpatrick et al.  
2011/0005113 A1 1/2011 Fitzpatrick et al.  
2011/0113663 A1 5/2011 Nakayama et al.  
2011/0302816 A1 12/2011 Fitzpatrick et al.  
2012/0317857 A1 12/2012 Fitzpatrick et al.  
2013/0192115 A1\* 8/2013 Calilung ..... F41A 9/71  
42/49.01

\* cited by examiner

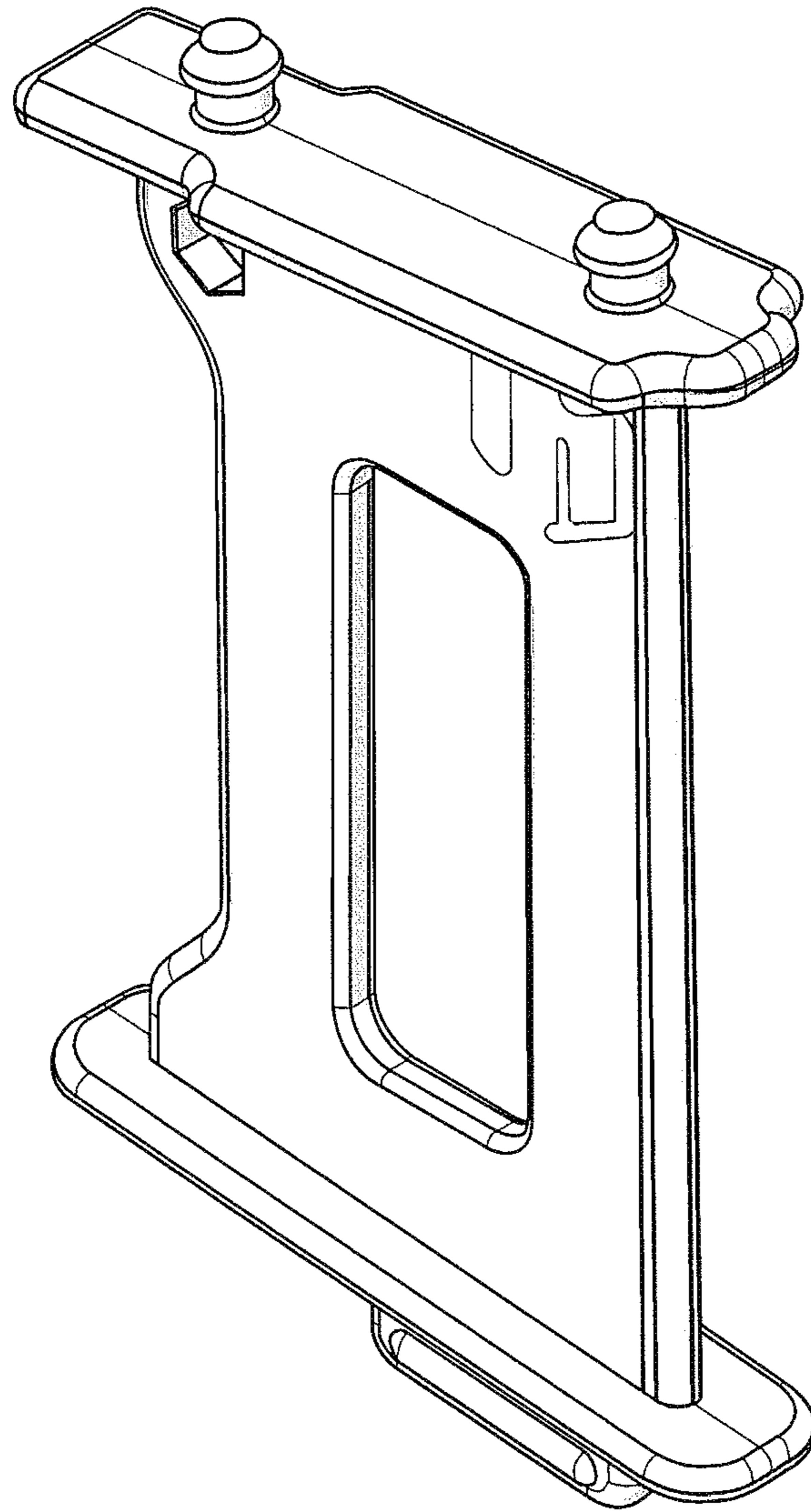


Figure 1

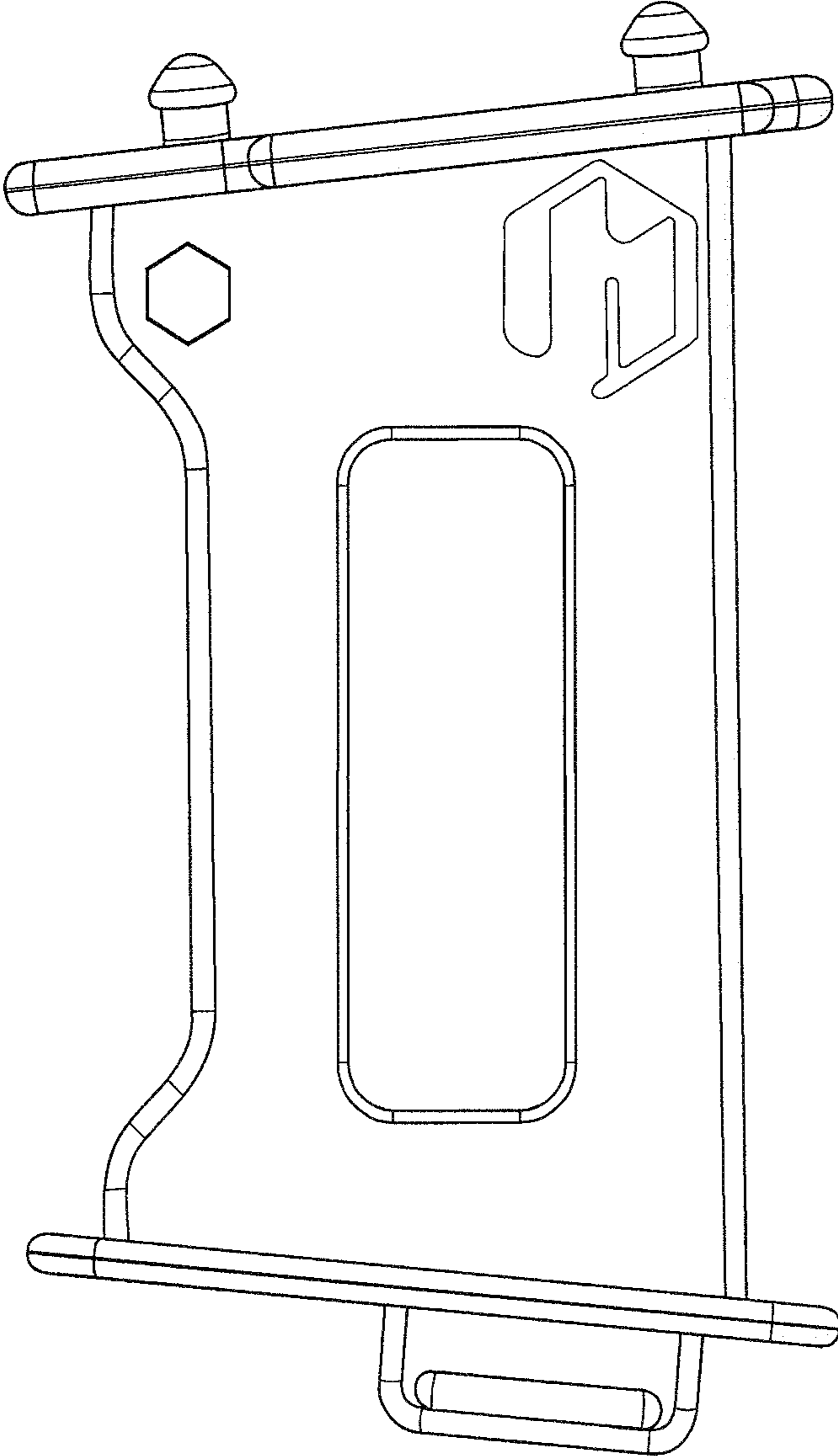


Figure 2

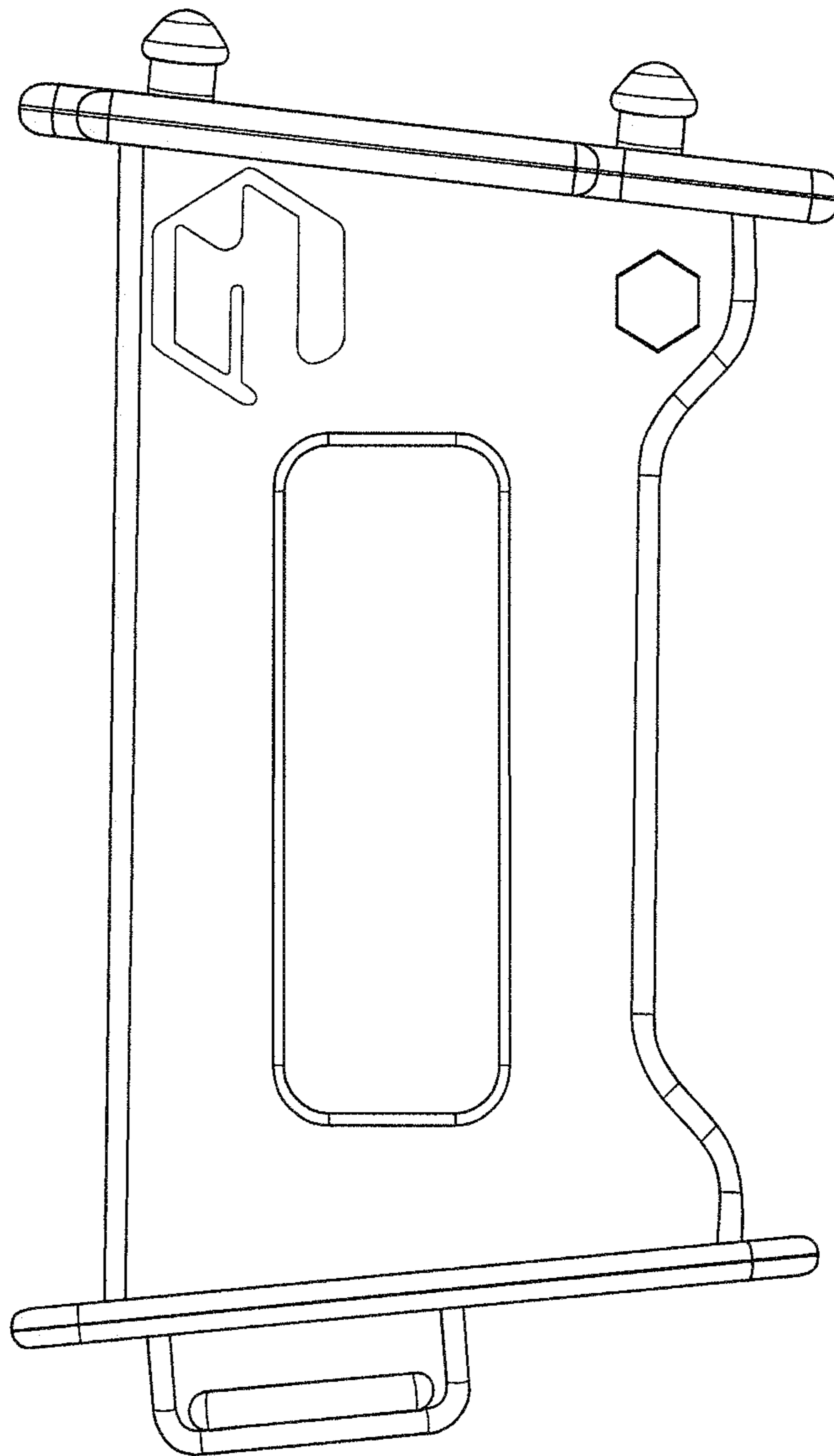


Figure 3

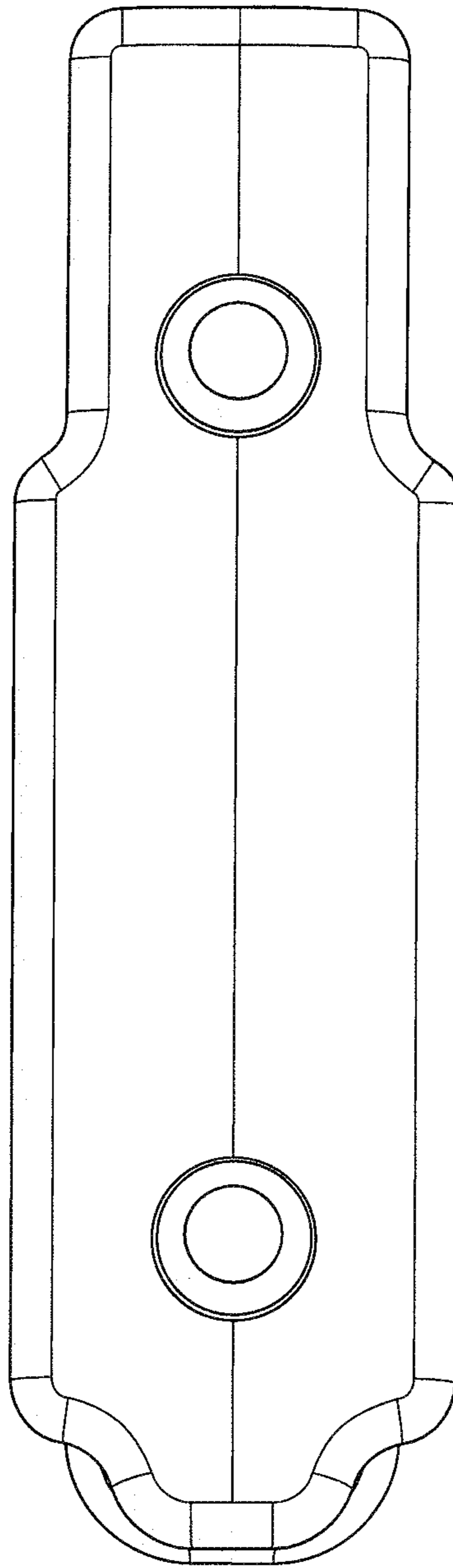


Figure 4

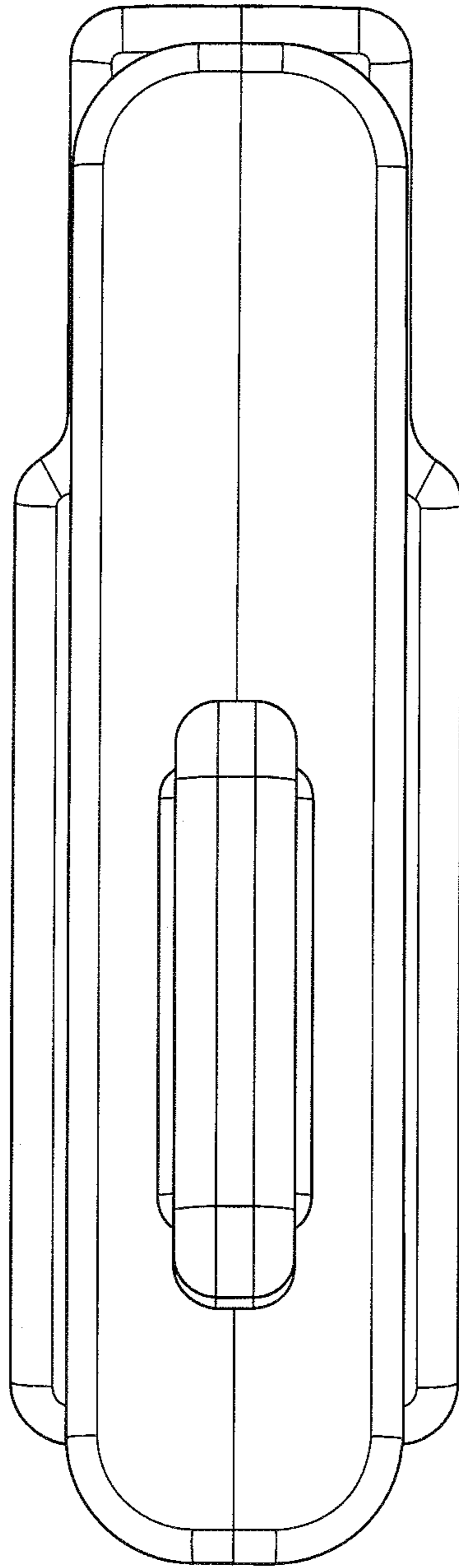


Figure 5

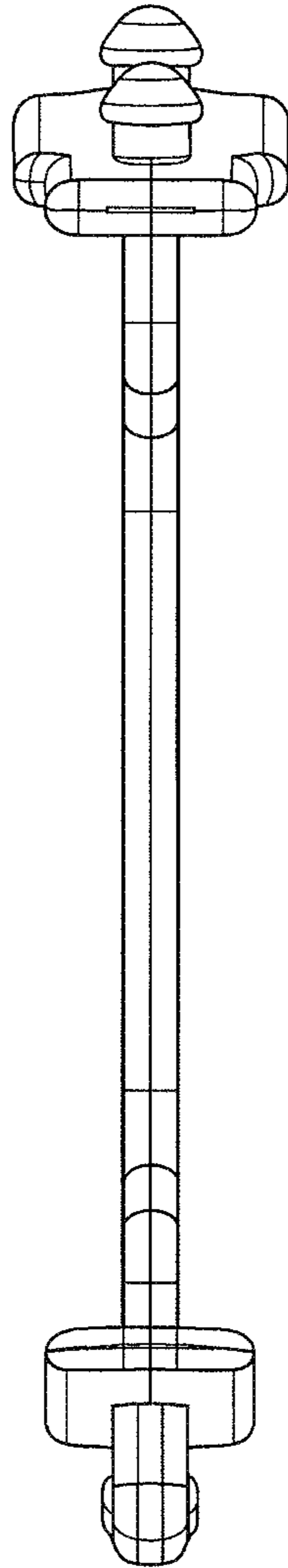


Figure 6



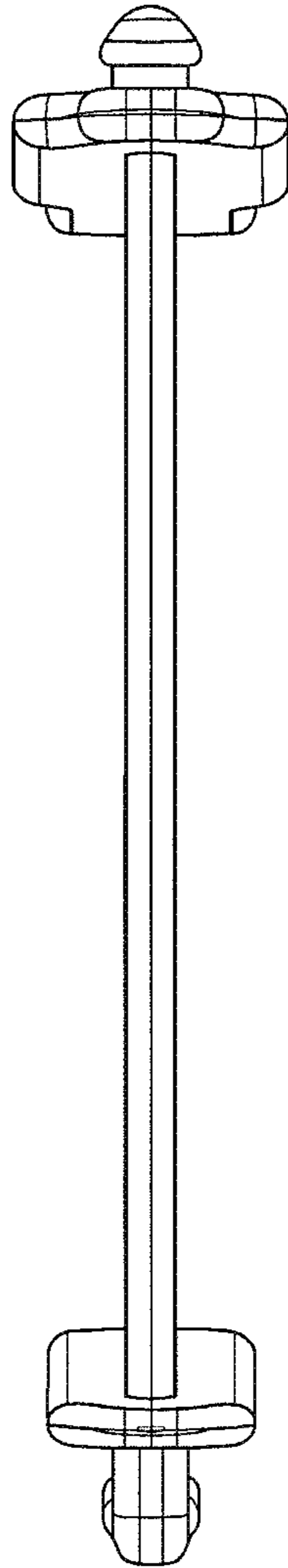


Figure 7