



US00D757199S

(12) **United States Design Patent**
Bender

(10) **Patent No.:** **US D757,199 S**
(45) **Date of Patent:** **** May 24, 2016**

(54) **FIREARM HAMMER**

(71) Applicant: **Terrence Dwight Bender**, Minneapolis, MN (US)

(72) Inventor: **Terrence Dwight Bender**, Minneapolis, MN (US)

(**) Term: **14 Years**

(21) Appl. No.: **29/504,295**

(22) Filed: **Oct. 3, 2014**

(51) **LOC (10) Cl.** **22-01**

(52) **U.S. Cl.**
USPC **D22/108**

(58) **Field of Classification Search**

USPC D22/108; D21/572-575
CPC F41A 17/74; F41A 19/14; F41A 17/26;
F41A 19/52; F41A 19/34; F41A 19/47
See application file for complete search history.

(56) **References Cited**

U.S. PATENT DOCUMENTS

4,208,947	A *	6/1980	Hillberg	F41A 17/74 42/70.08
4,310,981	A	1/1982	Waddell		
5,400,537	A *	3/1995	Meller	F41A 17/74 42/69.03
5,463,829	A	11/1995	Sprangers		
5,881,485	A	3/1999	Milazzo		
5,904,132	A	5/1999	Biller		
6,070,353	A *	6/2000	Albrecht	F41A 19/14 42/69.01
6,615,527	B1	9/2003	Martin		
6,722,072	B1	4/2004	McCormick		
7,162,824	B1	1/2007	McCormick		
7,188,561	B1	3/2007	Kelbly		
7,293,385	B2	11/2007	McCormick		
7,331,136	B2	2/2008	Geissele		
7,600,338	B2	10/2009	Geissele		
7,661,220	B2	2/2010	Crandall et al.		
7,854,084	B1	12/2010	Rutherford		

8,572,880	B2	11/2013	Bender		
9,057,573	B1 *	6/2015	Cockerham	F41A 19/14
2002/0088160	A1 *	7/2002	Beretta	F41A 17/74 42/70.08
2008/0010889	A1	1/2008	Metzger et al.		
2009/0183414	A1	7/2009	Geissele		
2010/0281739	A1	11/2010	Geissele		
2011/0185615	A1 *	8/2011	Gangl	F41A 17/46 42/69.01
2014/0338522	A1 *	11/2014	Bellione	F41A 3/12 89/139
2015/0047243	A1 *	2/2015	Tusting	F41C 3/14 42/66
2015/0233662	A1 *	8/2015	Ruiz	F41A 19/10 42/69.03

OTHER PUBLICATIONS

Priority U.S. Appl. No. 61/461,434, filed Jan. 18, 2011; Inventor: Terrence D. Bender.
Priority U.S. Appl. No. 61/462,263, filed Jan. 31, 2011; Inventor: Terrence D. Bender.

(Continued)

Primary Examiner — Michael A Pratt

(74) *Attorney, Agent, or Firm* — Vidas, Arrett & Steinkraus

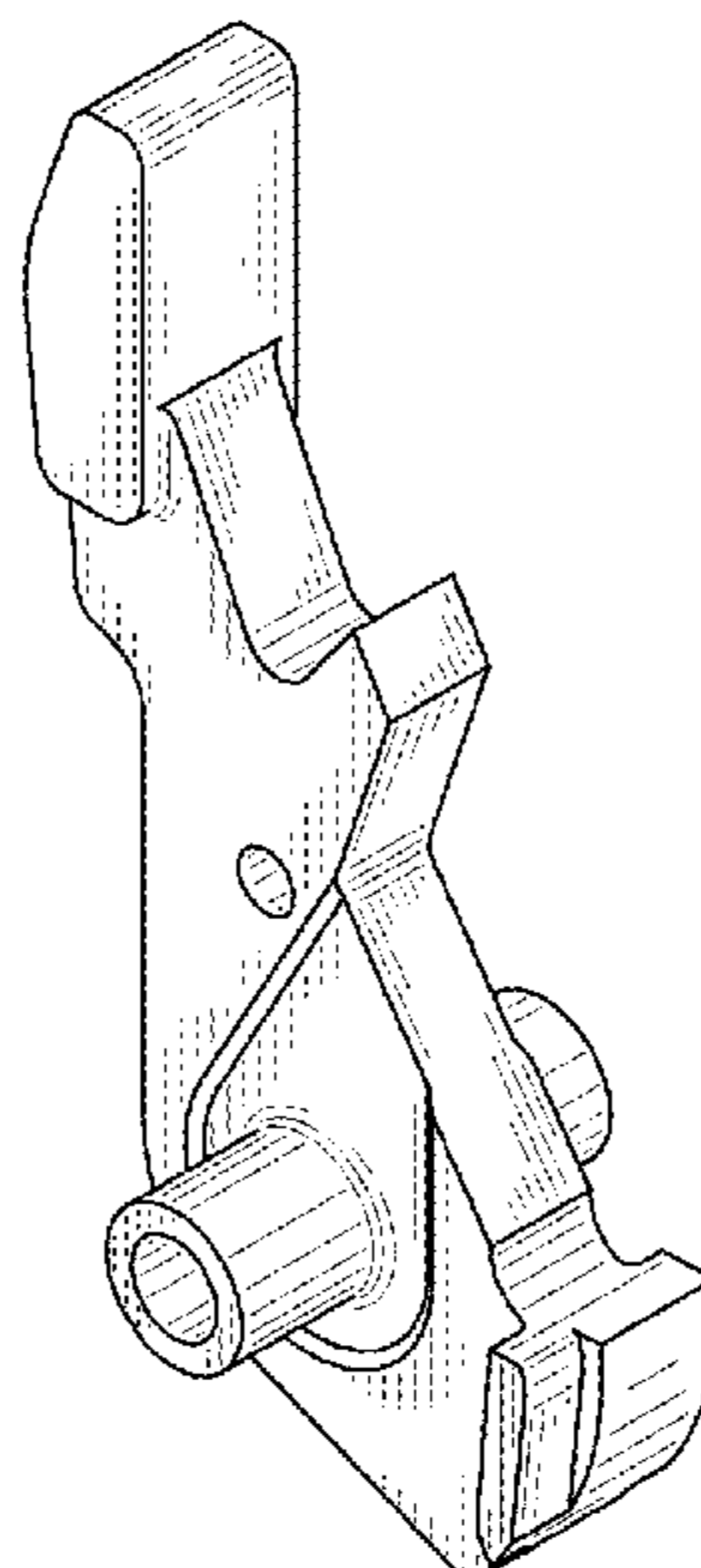
(57) **CLAIM**

The ornamental design for a firearm hammer, as shown and described.

DESCRIPTION

FIG. 1 is a front left isometric view of the firearm hammer. FIG. 2 is a left side view of the firearm hammer. FIG. 3 is a right side view of the firearm hammer. FIG. 4 is a front view of the firearm hammer. FIG. 5 is a rear view of the firearm hammer. FIG. 6 is a top view of the firearm hammer; and, FIG. 7 is a bottom view of the firearm hammer. Broken lines in the Figures show environmental structure or boundaries of the claim, with the broken lines themselves forming no part of the claimed design.

1 Claim, 2 Drawing Sheets



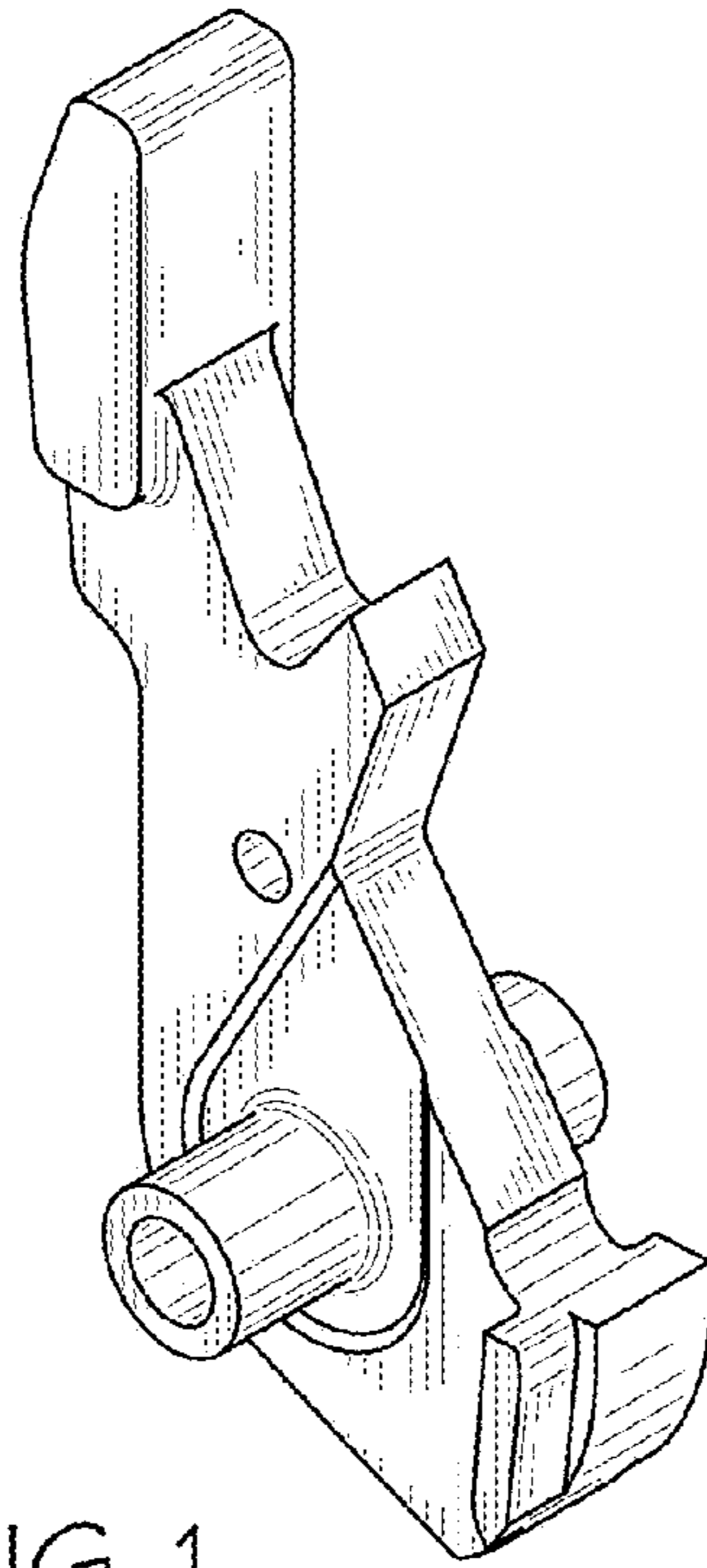


FIG. 1

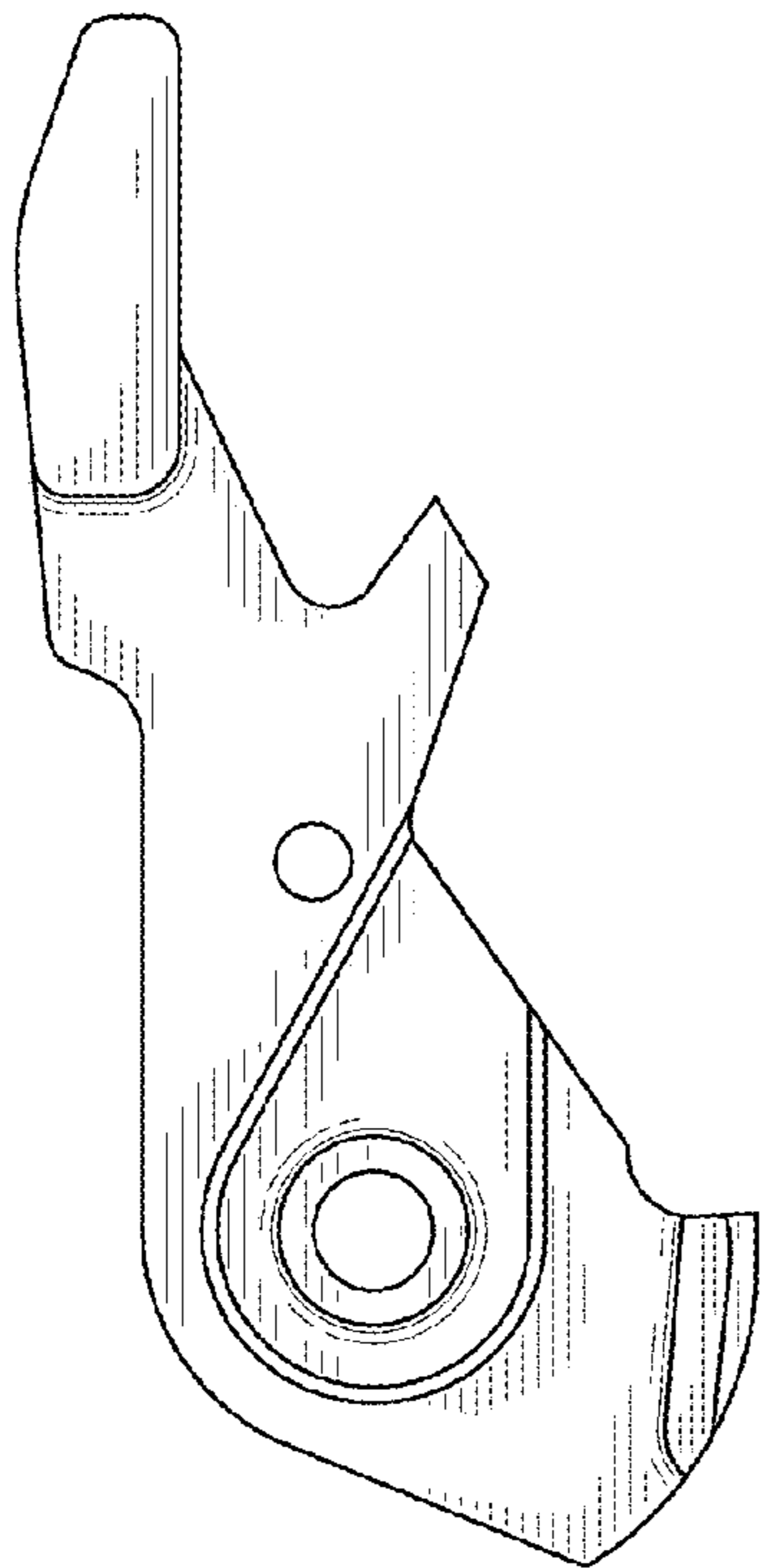


FIG. 2

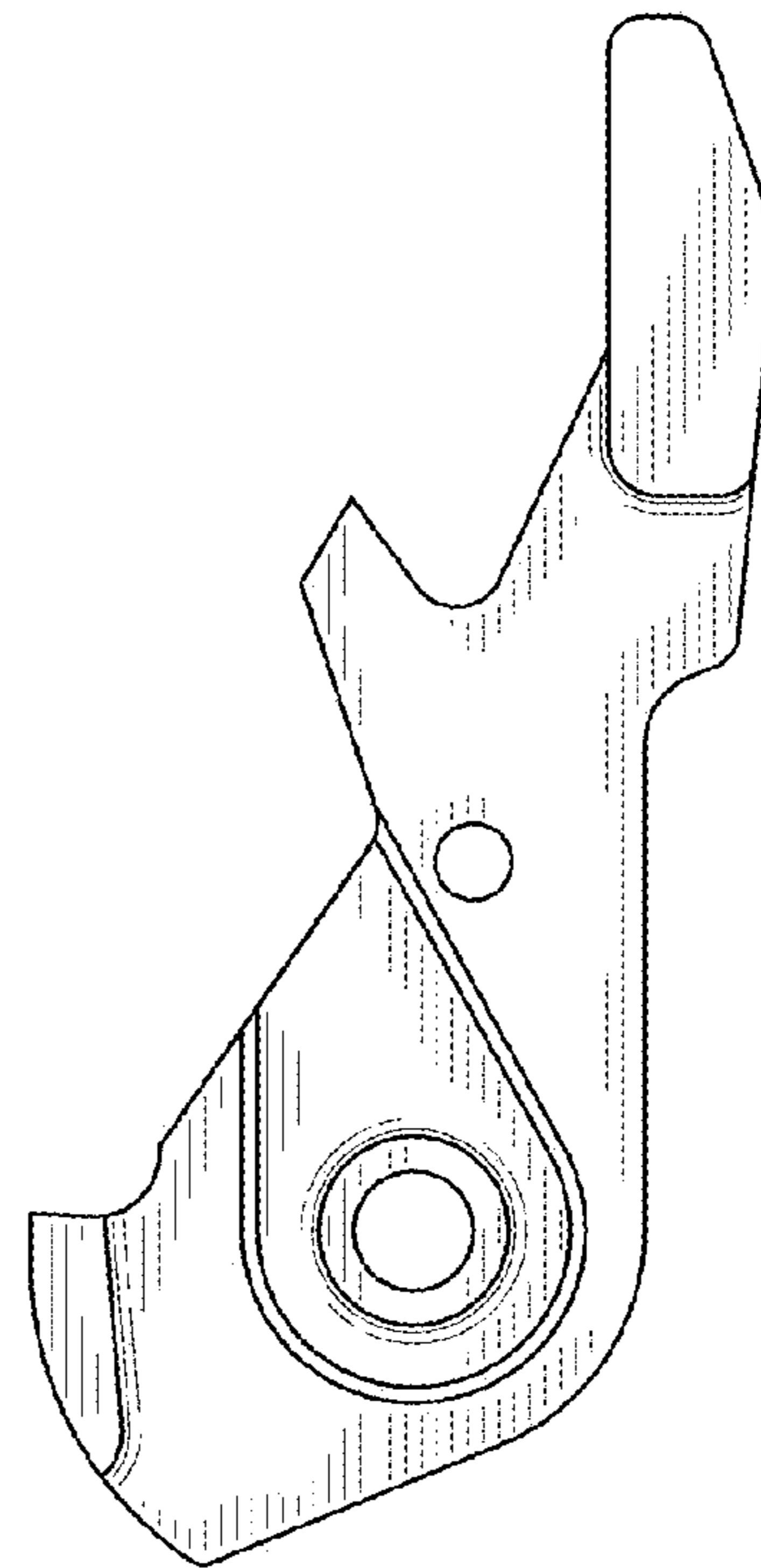


FIG. 3

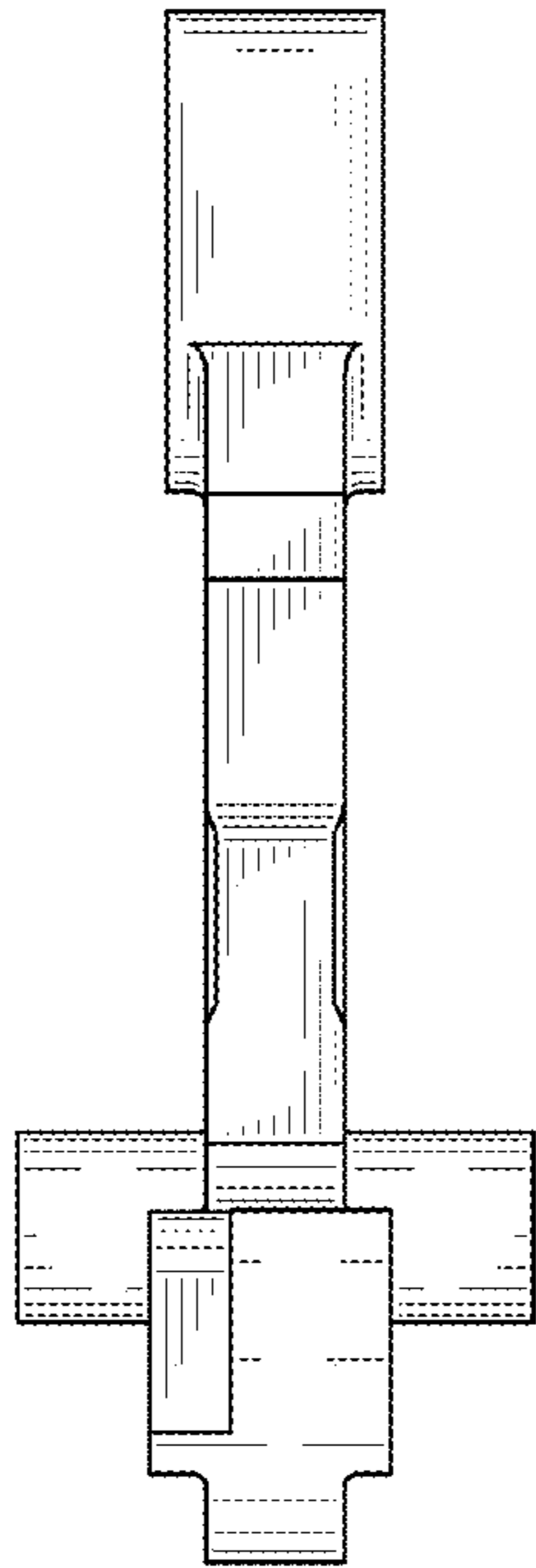


FIG. 4

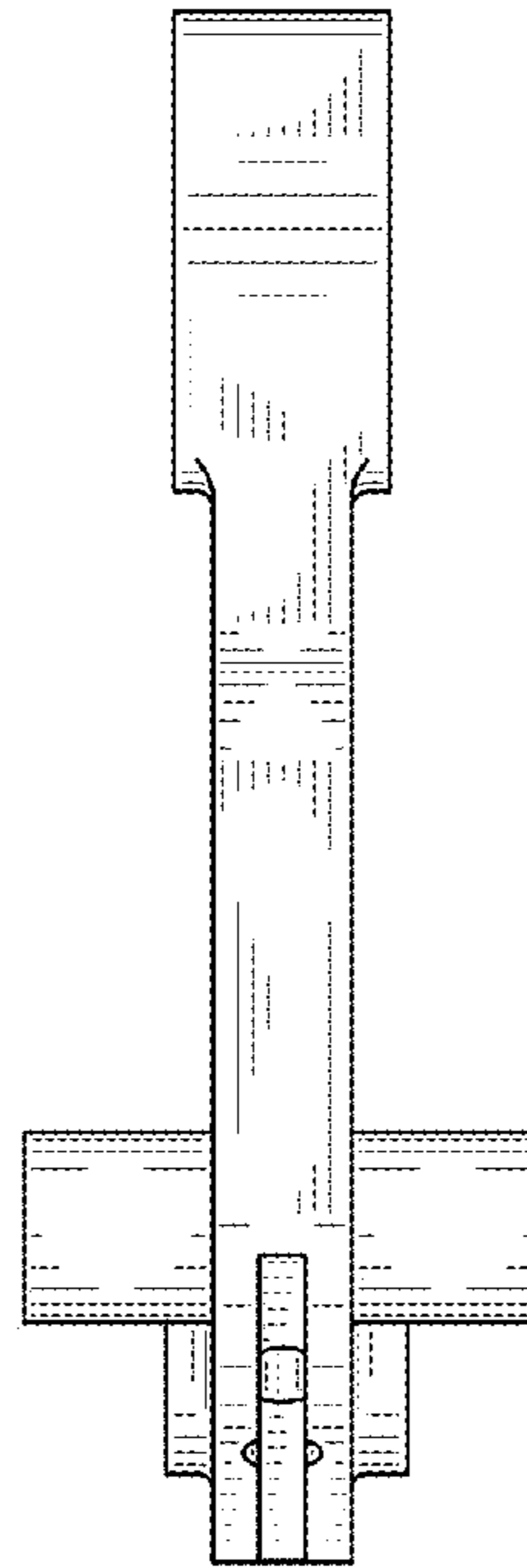


FIG. 5

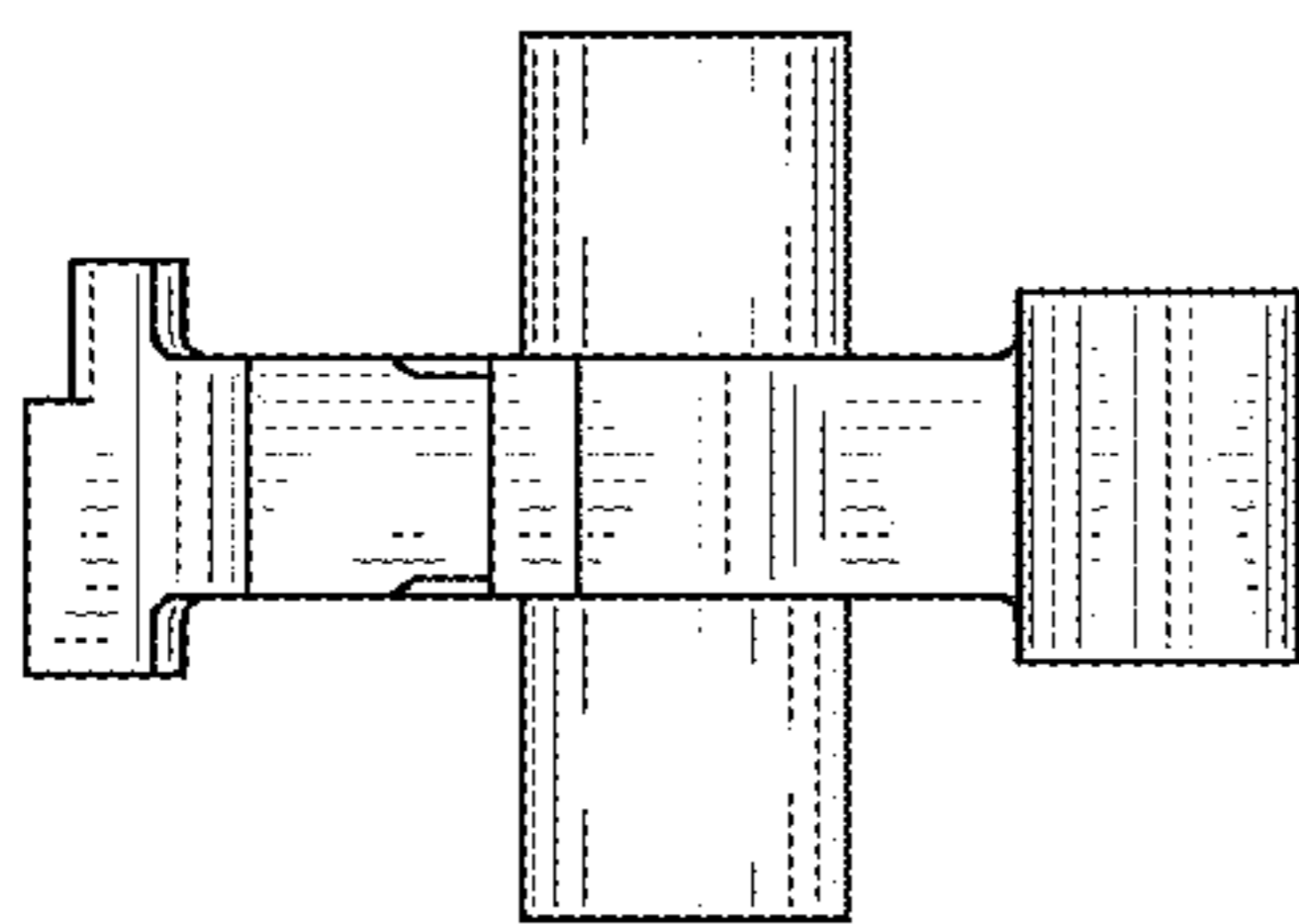


FIG. 6

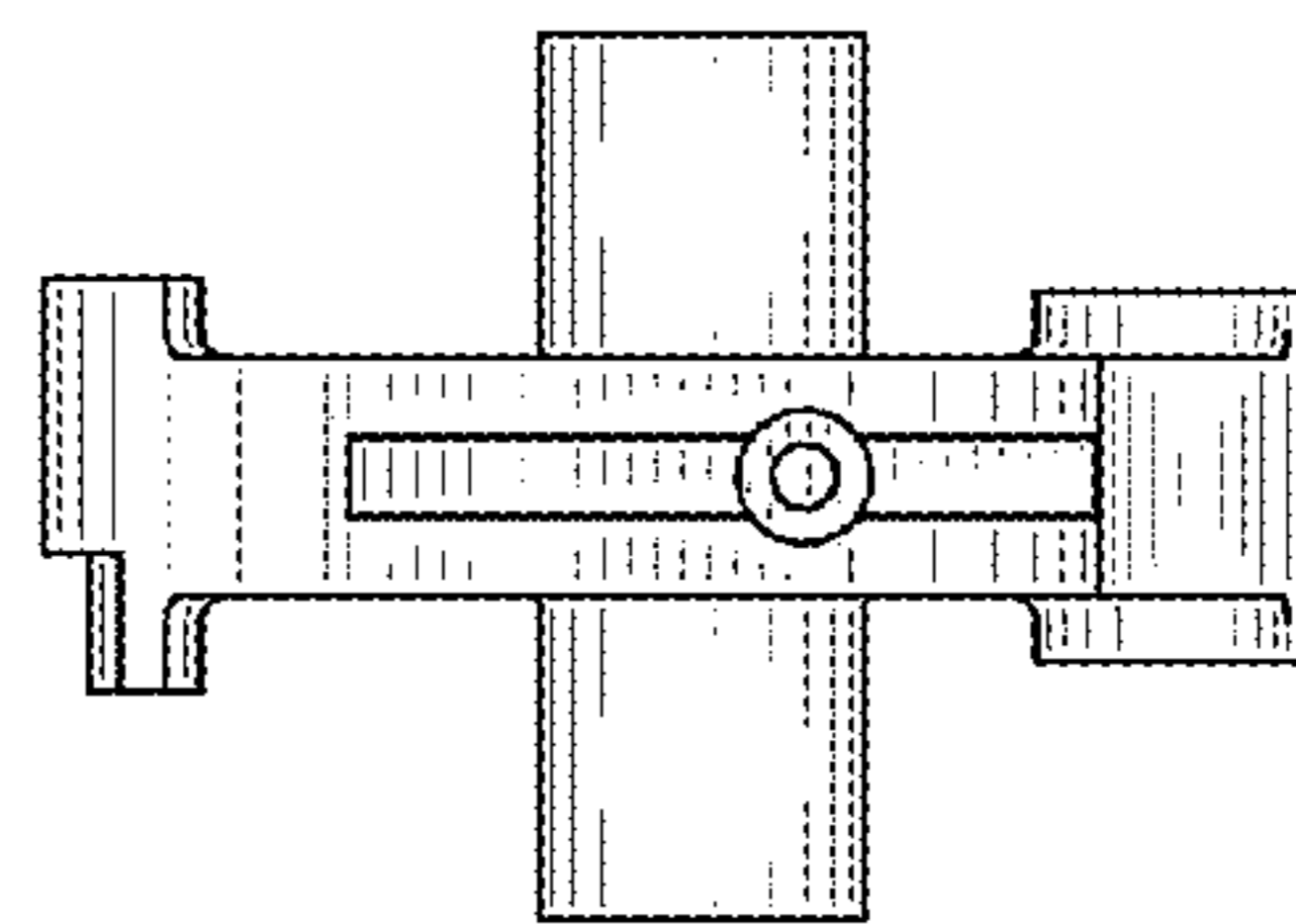


FIG. 7