



US00D757198S

(12) **United States Design Patent**
McDole et al.

(10) **Patent No.:** **US D757,198 S**
(45) **Date of Patent:** **** May 24, 2016**

- (54) **FIREARM CONCEALMENT CLIP**
- (71) Applicants: **Patrick McDole**, Fayetteville, NC (US);
James Bryan Crabtree, Stedman, NC (US); **Robert Leroy Marshall**, Fayetteville, NC (US)
- (72) Inventors: **Patrick McDole**, Fayetteville, NC (US);
James Bryan Crabtree, Stedman, NC (US); **Robert Leroy Marshall**, Fayetteville, NC (US)

4,974,764	A	12/1990	Cantwell	
5,630,535	A *	5/1997	Valenti	A45F 5/02 224/191
D470,211	S	2/2003	Redict	
6,726,072	B2	4/2004	Rugh	
7,028,426	B1 *	4/2006	Viani	F41A 17/54 224/193
8,215,525	B2	7/2012	Rassias	
D725,216	S *	3/2015	Donnelly	D22/108
2013/0327798	A1 *	12/2013	Lee	F41C 33/008 224/183
2015/0097011	A1 *	4/2015	Clifton, Jr.	F41C 33/045 224/269

(**) Term: **14 Years**

(21) Appl. No.: **29/501,021**

(22) Filed: **Aug. 29, 2014**

(51) **LOC (10) Cl.** **22-01**

(52) **U.S. Cl.**
USPC **D22/108**

(58) **Field of Classification Search**
USPC D22/108; D3/215
CPC F41C 33/048; F41C 33/041; F41C 33/00;
F41C 33/02; F41C 33/006; F41C 27/00
See application file for complete search history.

(56) **References Cited**

U.S. PATENT DOCUMENTS

2,320,450	A *	6/1943	Valenzuela	F41C 33/008 224/271
3,023,528	A *	3/1962	Rouby	F41A 19/58 42/71.01
4,056,218	A	11/1977	Barna	
D259,432	S	6/1981	Pharr, Jr.	
D259,433	S	6/1981	Pharr, Jr.	

* cited by examiner

Primary Examiner — Michael A Pratt

(74) *Attorney, Agent, or Firm* — Quickpatents, LLC; Kevin Prince

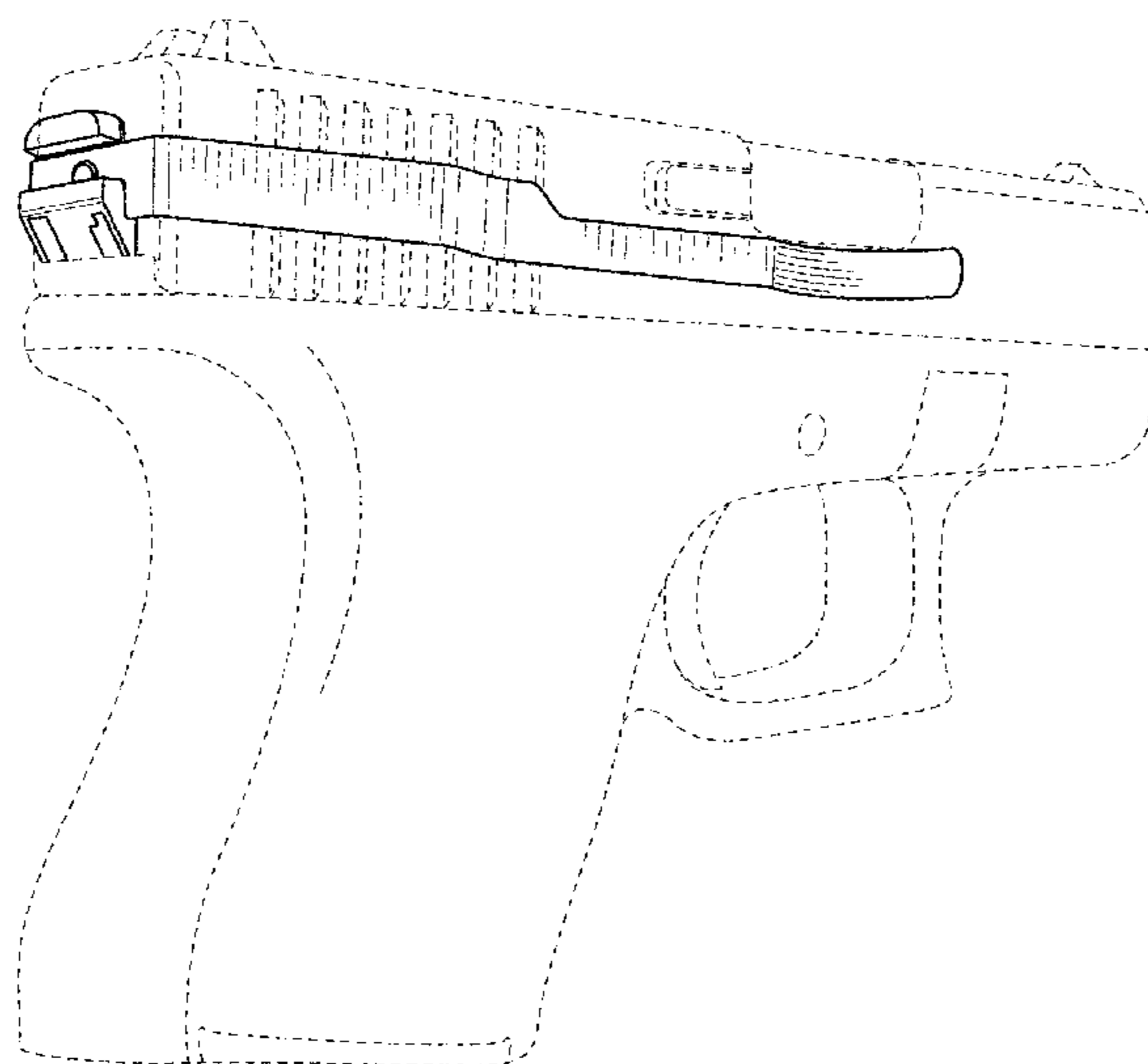
(57) **CLAIM**

We claim the ornamental design for a firearm concealment clip, as shown and described.

DESCRIPTION

FIG. 1 is a rear perspective view of a firearm concealment clip, showing my new design;
FIG. 2 is an exploded front perspective view thereof;
FIG. 3 is an exploded front elevational view thereof;
FIG. 4 is an exploded rear elevational view thereof;
FIG. 5 is an exploded right-side elevational view thereof;
FIG. 6 is an exploded left-side elevational view thereof;
FIG. 7 is an exploded top plan view thereof; and,
FIG. 8 is an exploded bottom plan view thereof.
The broken lines showing a firearm in FIG. 1 depict environmental matter and form no part of the claimed design.

1 Claim, 5 Drawing Sheets



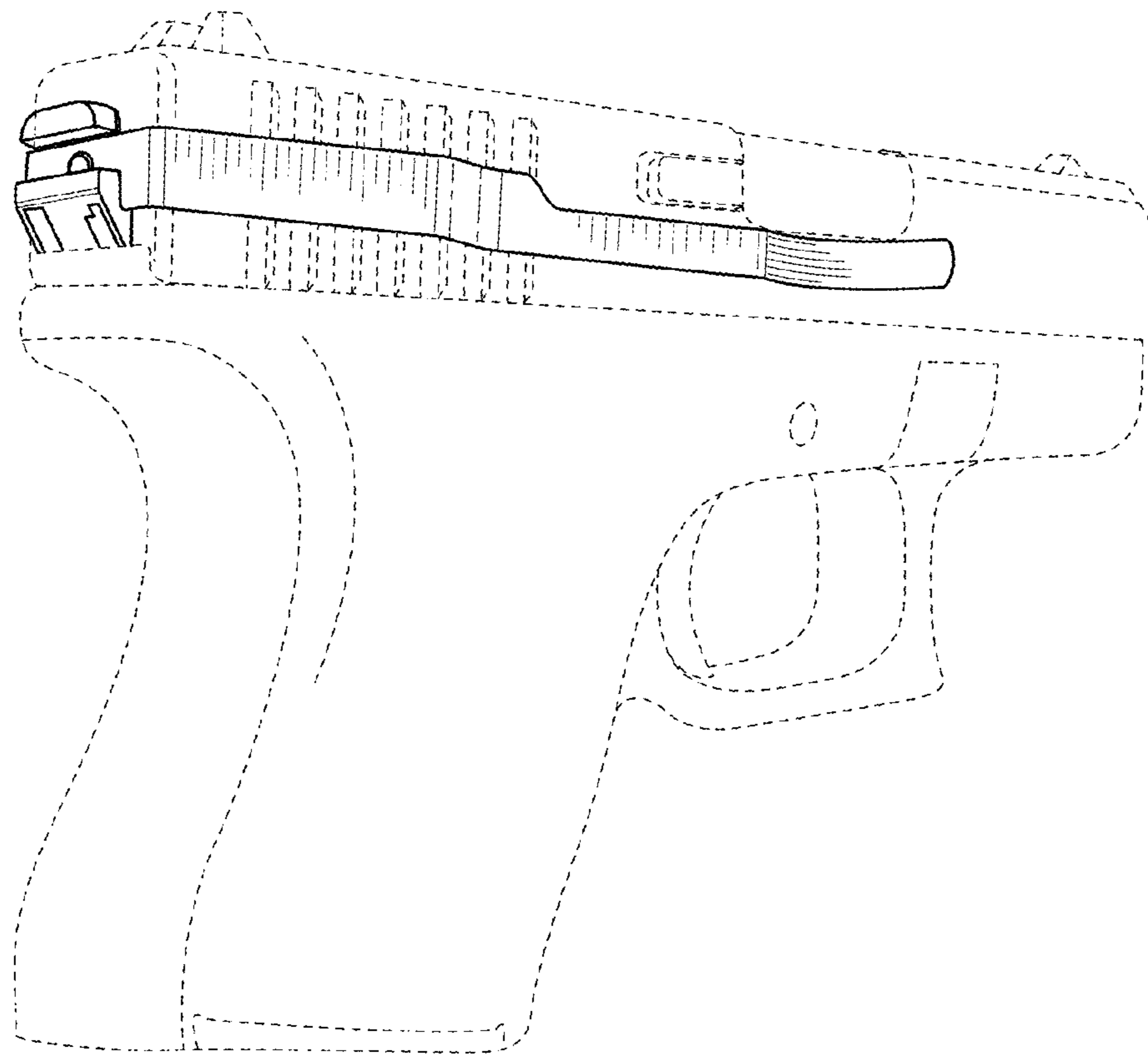


FIG. 1

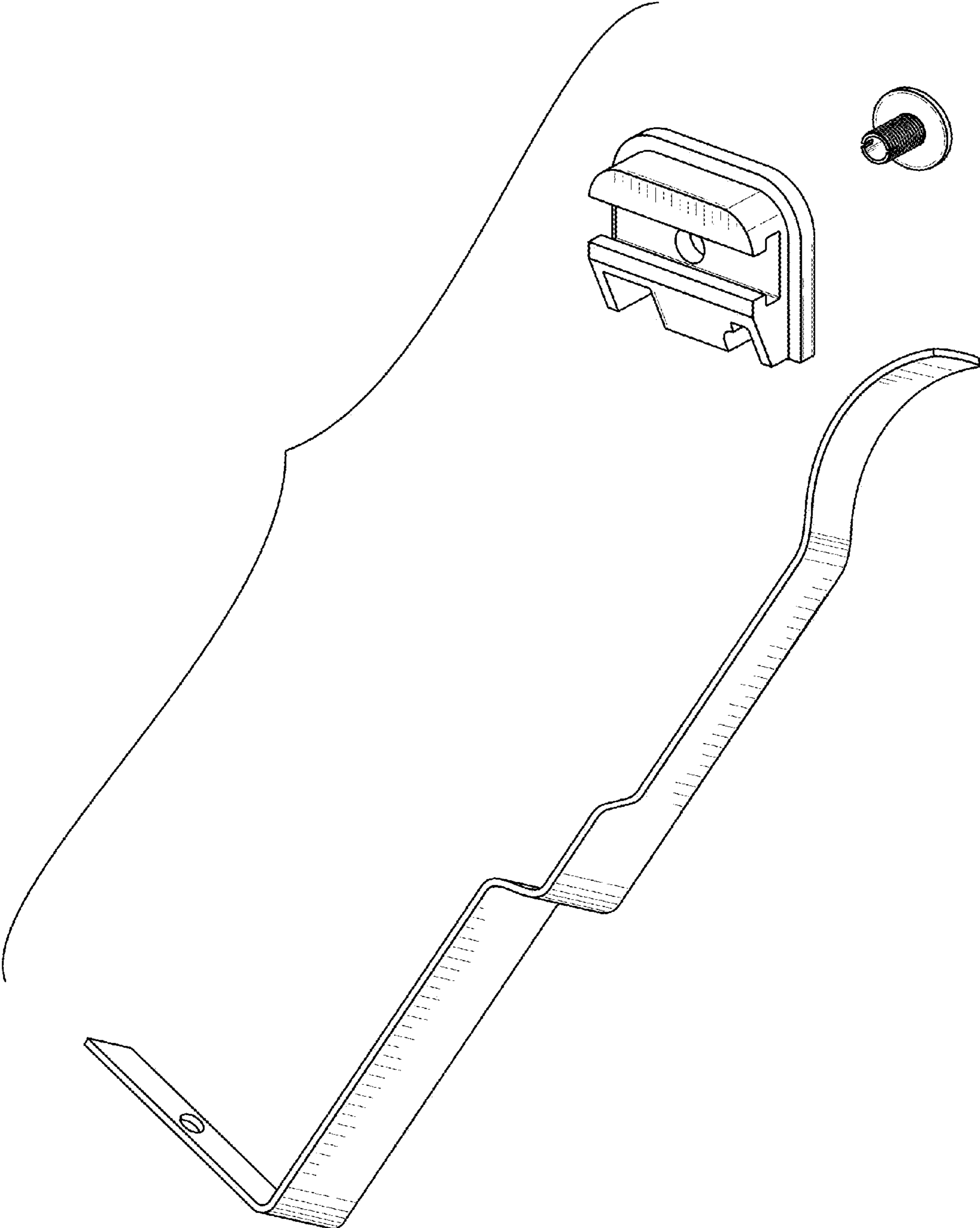


FIG. 2

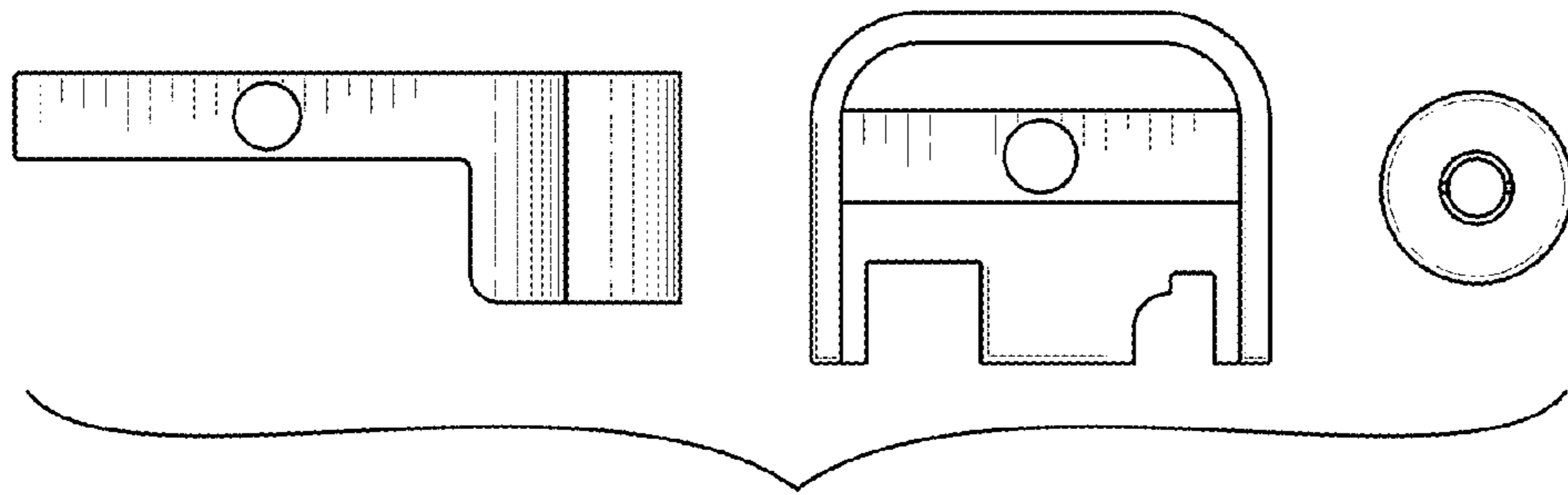


FIG. 3

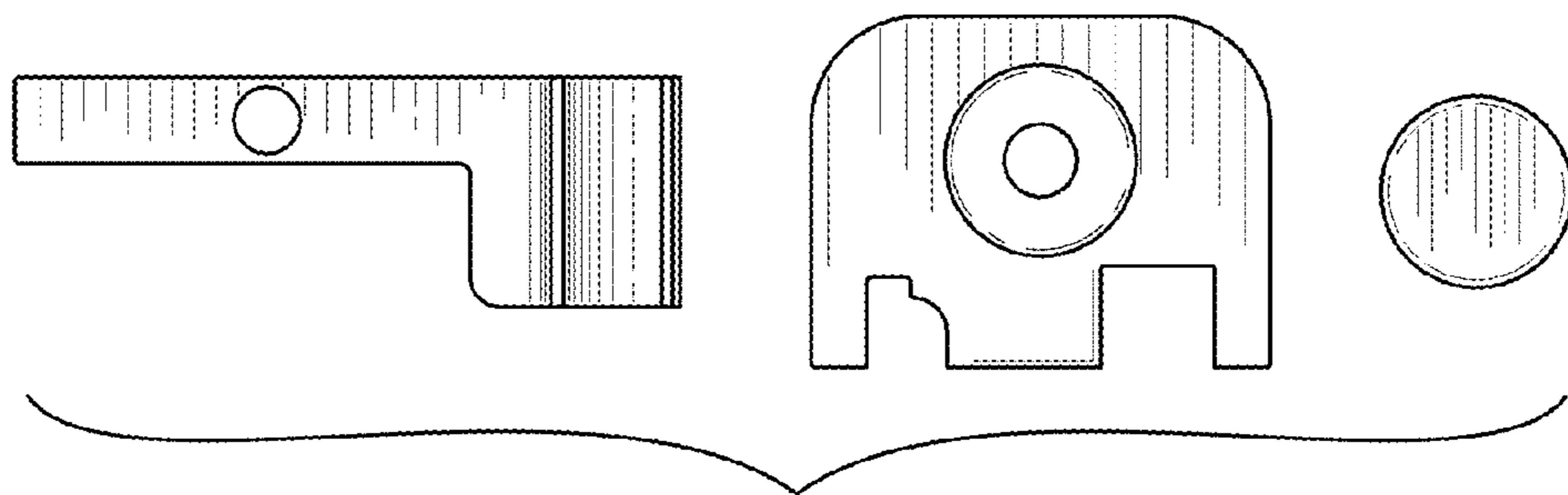


FIG. 4

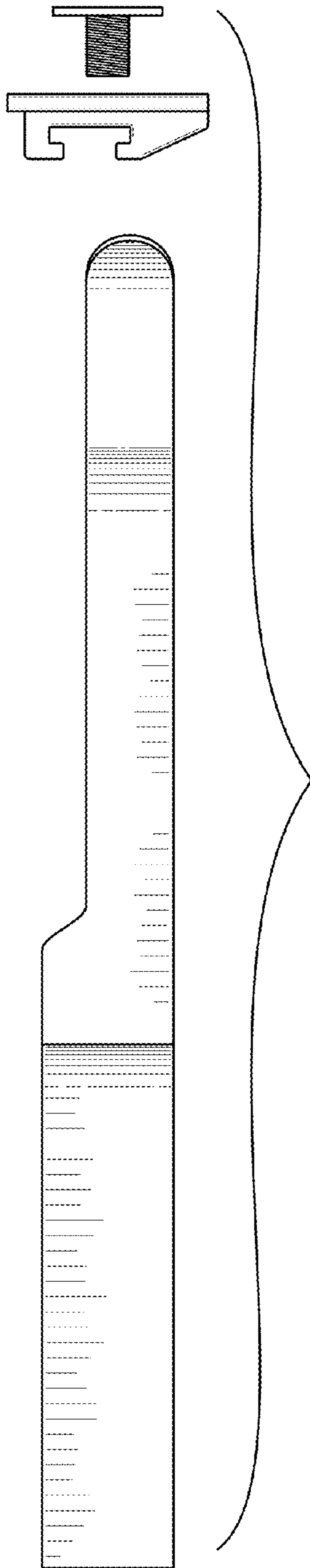


FIG. 5

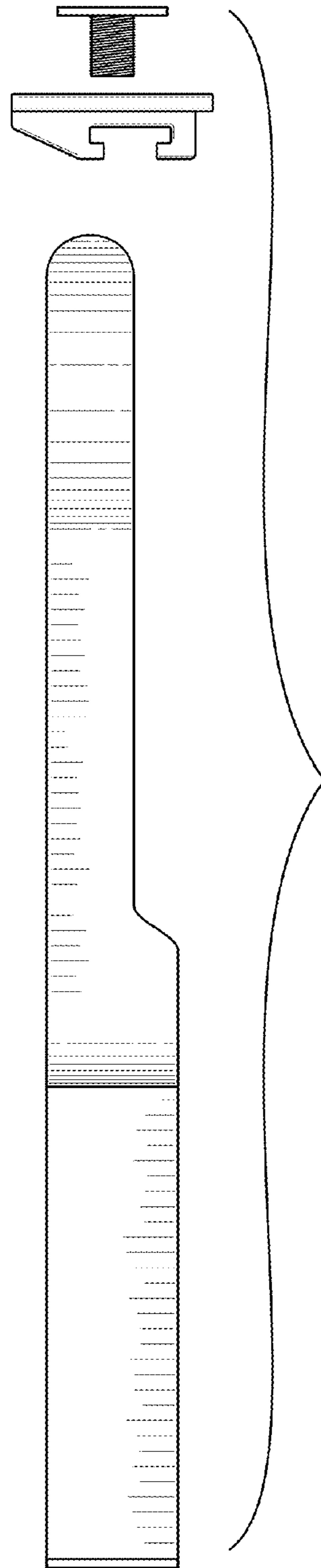


FIG. 6

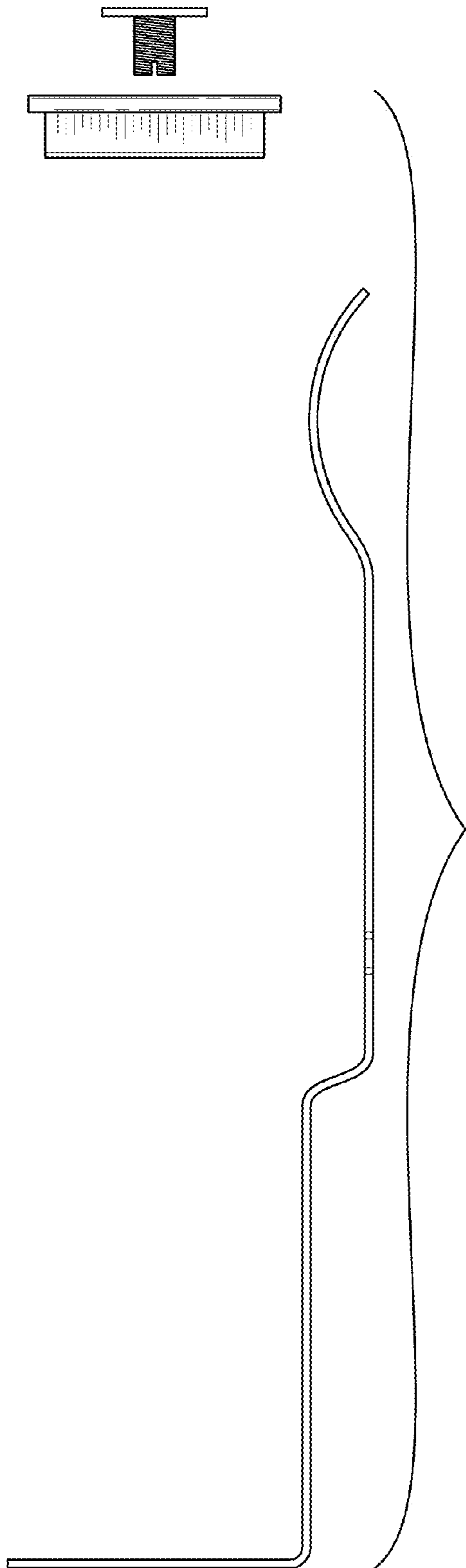


FIG. 7

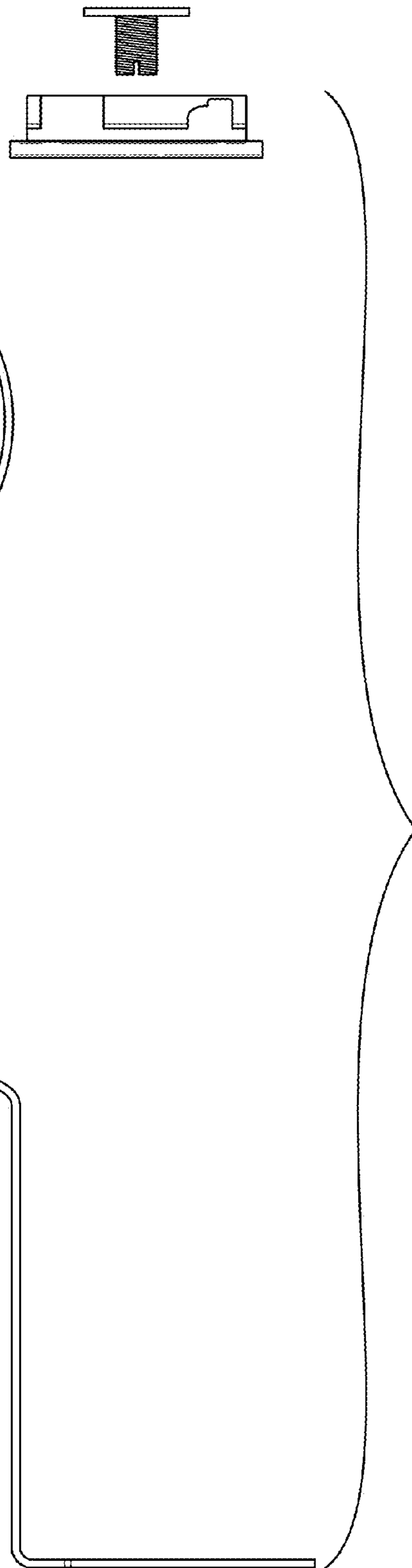


FIG. 8