



US00D757197S

(12) **United States Design Patent**
Dunnam, Jr.

(10) **Patent No.:** **US D757,197 S**
(45) **Date of Patent:** **** May 24, 2016**

(54) **ARROWHEAD RETRIEVAL TOOL**

Primary Examiner — Michael A Pratt

(71) Applicant: **Gerald Glenn Dunnam, Jr.**, Olympia, WA (US)

(57) **CLAIM**

The ornamental design for an arrowhead retrieval tool, as shown and described.

(72) Inventor: **Gerald Glenn Dunnam, Jr.**, Olympia, WA (US)

(**) Term: **14 Years**

DESCRIPTION

(21) Appl. No.: **29/474,472**

FIG. 1 is a perspective view of the arrowhead retrieval tool shown in use; and,

(22) Filed: **Oct. 1, 2014**

FIG. 2 is a perspective view of the arrowhead retrieval tool. The broken line shown in FIGS. 1 and 2 are included for the purpose of illustrating environment and forms no part of the claimed design.

(51) **LOC (10) Cl.** **22-01**

(52) **U.S. Cl.**
USPC **D22/107**

(58) **Field of Classification Search**
USPC D22/107; D8/51
CPC B25B 27/02; B25D 1/16; B25D 1/14
See application file for complete search history.

The arrowhead retrieving tool is designed to “safely” and without damaging an arrowhead remove the arrowhead from any object in which it has become embedded.

The hunter will unscrew the shaft from the arrowhead, leaving the arrowhead in the object. Assemble the arrow retrieval tool (A.R.T.) and screw it onto the arrowhead. Slide the hammer back and forth along the shaft, slamming it into the handle. This action will cause a jarring effect which “backs” the arrowhead free of the object in which it has become embedded. Once the arrowhead is removed from the A.R.T., it is ready for use.

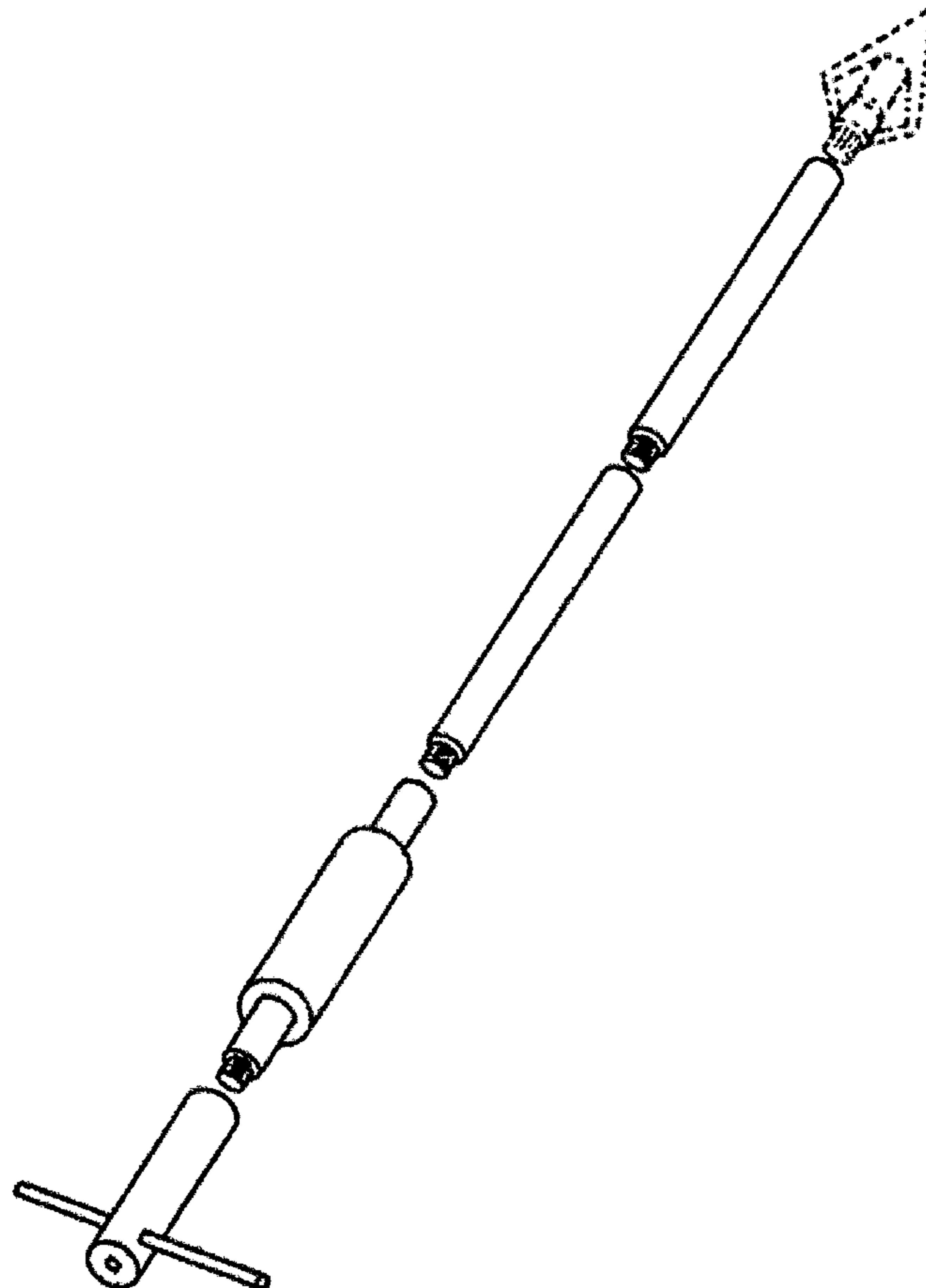
(56) **References Cited**

U.S. PATENT DOCUMENTS

4,125,927 A * 11/1978 Geary B25B 27/02
124/23.1

* cited by examiner

1 Claim, 2 Drawing Sheets



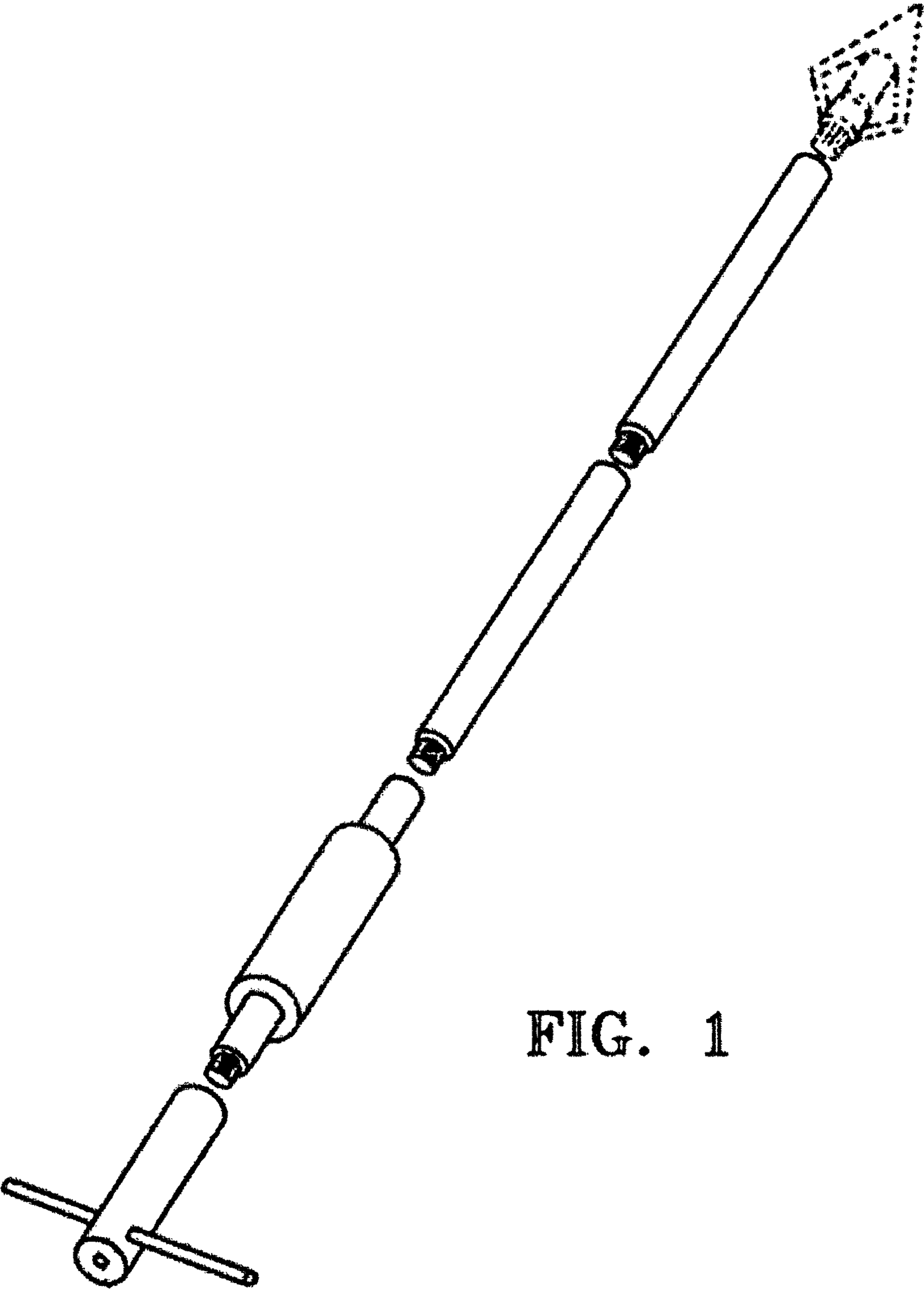


FIG. 1

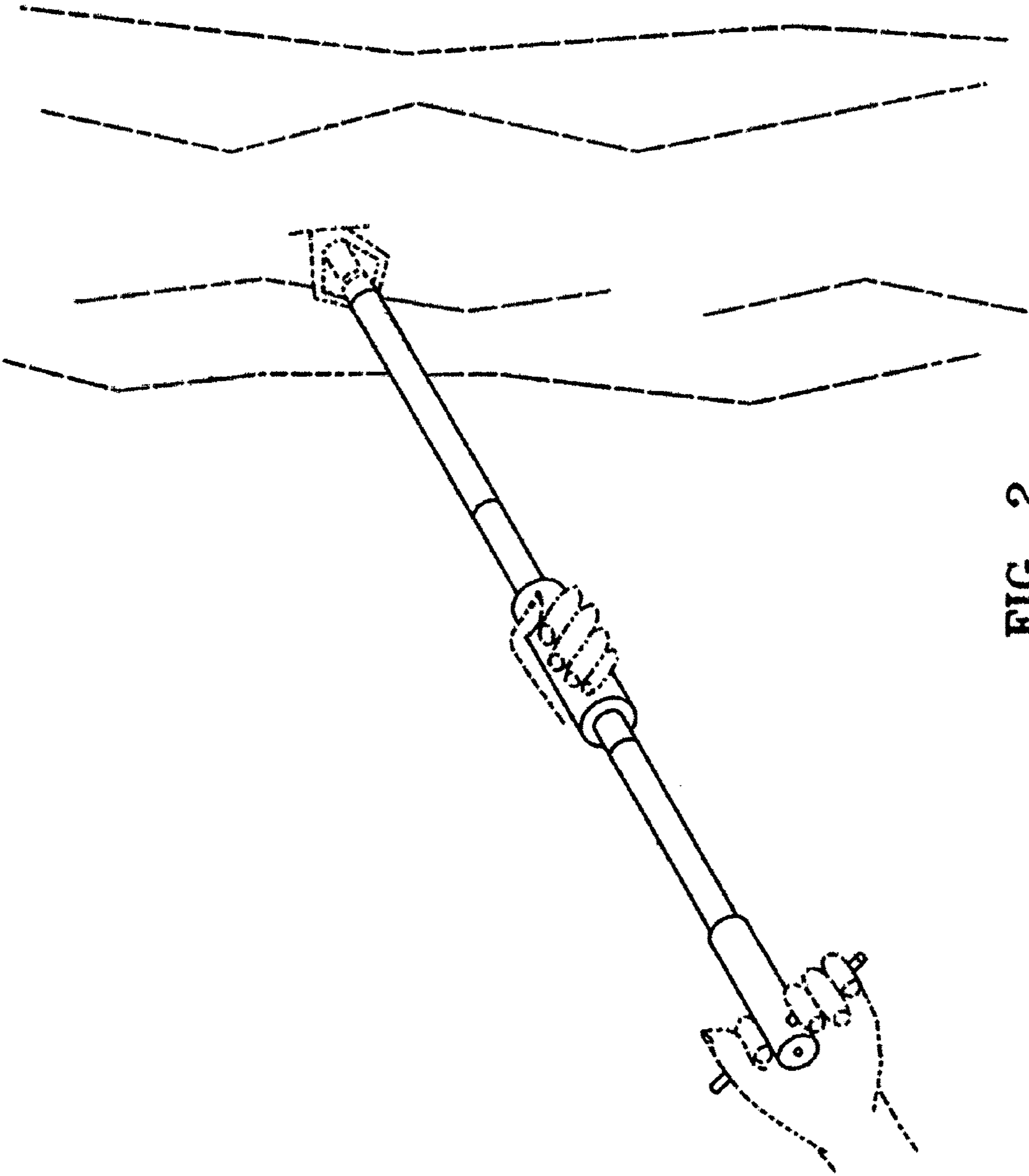


FIG. 2