



US00D757193S

(12) **United States Design Patent**
Dolezel

(10) **Patent No.:** **US D757,193 S**
(45) **Date of Patent:** **** May 24, 2016**

- (54) **PUTTER CLUB HEAD**
- (71) Applicant: **DUNLOP SPORTS CO. LTD.**,
Kobe-shi, Hyogo (JP)
- (72) Inventor: **Keith Dolezel**, Covina, CA (US)
- (73) Assignee: **DUNLOP SPORTS CO. LTD.**,
Kobe-shi (JP)
- (**) Term: **14 Years**
- (21) Appl. No.: **29/514,818**
- (22) Filed: **Jan. 16, 2015**
- (51) **LOC (10) Cl.** **21-02**
- (52) **U.S. Cl.**
USPC **D21/759**
- (58) **Field of Classification Search**
USPC D21/736–746, 759
CPC ... A63B 53/065; A63B 53/0487; A63B 53/00
See application file for complete search history.

(56) **References Cited**

U.S. PATENT DOCUMENTS

D457,586 S *	5/2002	Tang	D21/759
D461,515 S *	8/2002	Tang	D21/742
D461,860 S *	8/2002	Tang	D21/742
D463,002 S *	9/2002	Tang	D21/759
D467,985 S *	12/2002	Tang	D21/742
D471,245 S *	3/2003	Tang	D21/742
D471,940 S *	3/2003	Tang	D21/742
D472,595 S *	4/2003	Tang	D21/735
D477,041 S *	7/2003	Cameron	D21/742
D485,323 S *	1/2004	Wagner	D21/744
D494,237 S *	8/2004	Ware	D21/736
D496,418 S *	9/2004	Tang	D21/738
D499,778 S *	12/2004	Cameron	D21/742
D506,237 S *	6/2005	Byrne	D21/759
D506,796 S *	6/2005	Li	D21/742
D513,777 S *	1/2006	Cuellar	D21/759
D520,583 S *	5/2006	Rollinson	D21/742
7,166,036 B2 *	1/2007	Byrne	A63B 53/0487 473/242
D572,780 S *	7/2008	Rollinson	D21/744

D592,717 S *	5/2009	Rollinson	D21/742
D594,073 S *	6/2009	Kadoya	D21/744
D595,793 S *	7/2009	Rollinson	D21/736
D619,665 S *	7/2010	Rollinson	D21/742
D621,462 S *	8/2010	Serrano	D21/742
D630,690 S *	1/2011	Rollinson	D21/746
D641,815 S *	7/2011	Rollinson	D21/744
D641,816 S *	7/2011	Rollinson	D21/744
D650,459 S *	12/2011	Rollinson	D21/746
D709,971 S *	7/2014	Trahan	D21/759
D709,972 S *	7/2014	Trahan	D21/759
D709,973 S *	7/2014	Trahan	D21/759
D730,462 S *	5/2015	Becktor	D21/742
D730,463 S *	5/2015	Dolezel	D21/742
D732,120 S *	6/2015	Becktor	D21/742
D732,121 S *	6/2015	Trahan	D21/742
D732,122 S *	6/2015	Becktor	D21/742
D732,618 S *	6/2015	Becktor	D21/742
2006/0148585 A1 *	7/2006	Vinton	A63B 53/0487 473/340
2009/0170629 A1 *	7/2009	Hilton	A63B 53/0487 473/334

* cited by examiner

Primary Examiner — Mitchell Siegel

(74) *Attorney, Agent, or Firm* — Oliff PLC

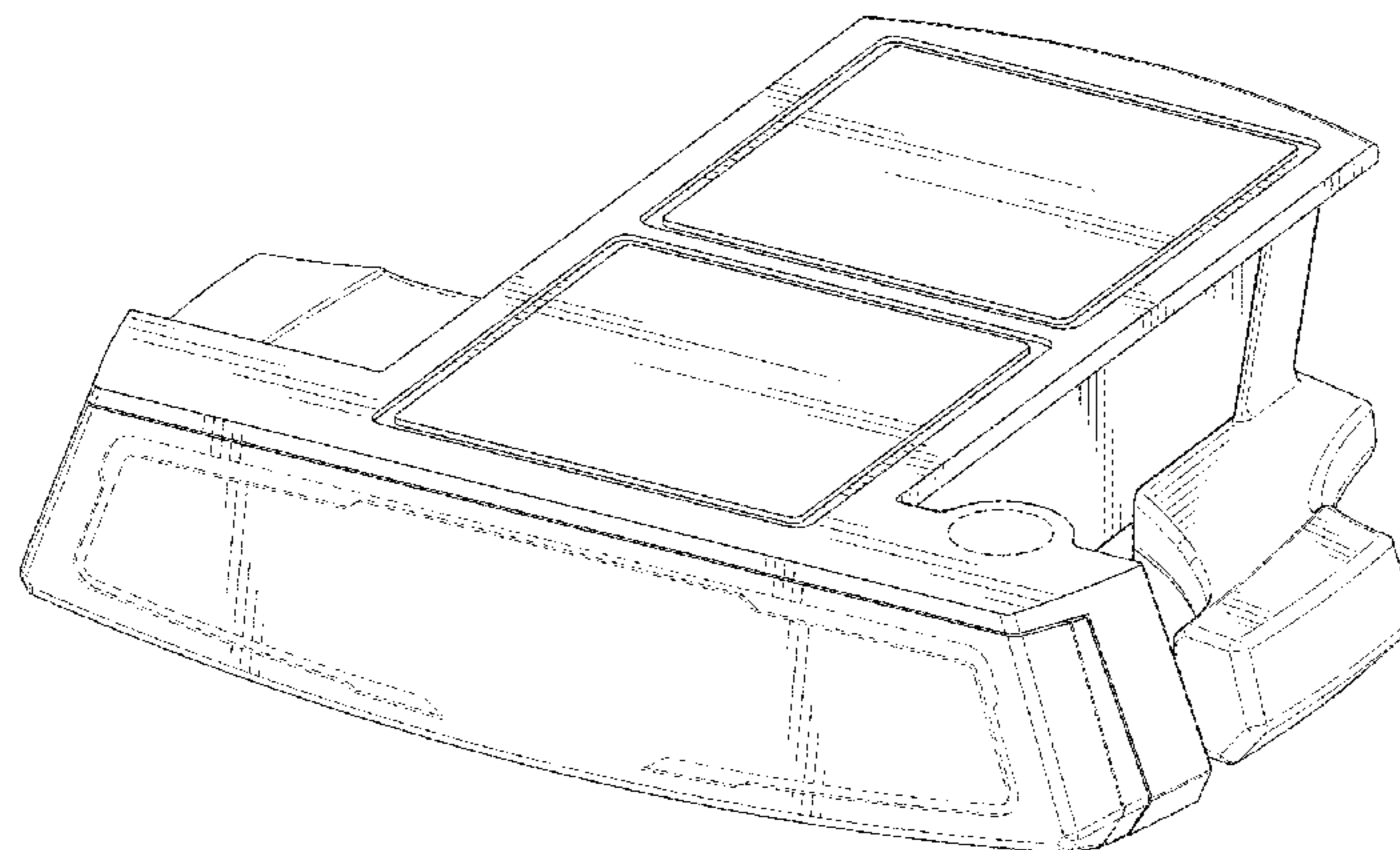
(57) **CLAIM**

The ornamental design for a putter club head, as shown and described.

DESCRIPTION

FIG. 1 is a top front perspective view of a first embodiment of the ornamental design;
 FIG. 2 is a front elevational view thereof;
 FIG. 3 is a top plan view thereof;
 FIG. 4 is a left-side elevational view thereof;
 FIG. 5 is a right-side elevational view thereof;
 FIG. 6 is a rear elevational view thereof;
 FIG. 7 is a bottom plan view thereof; and,
 FIG. 8 is a top rear perspective view thereof.
 The broken lines depict environmental subject matter only and form no part of the claimed design.

1 Claim, 7 Drawing Sheets



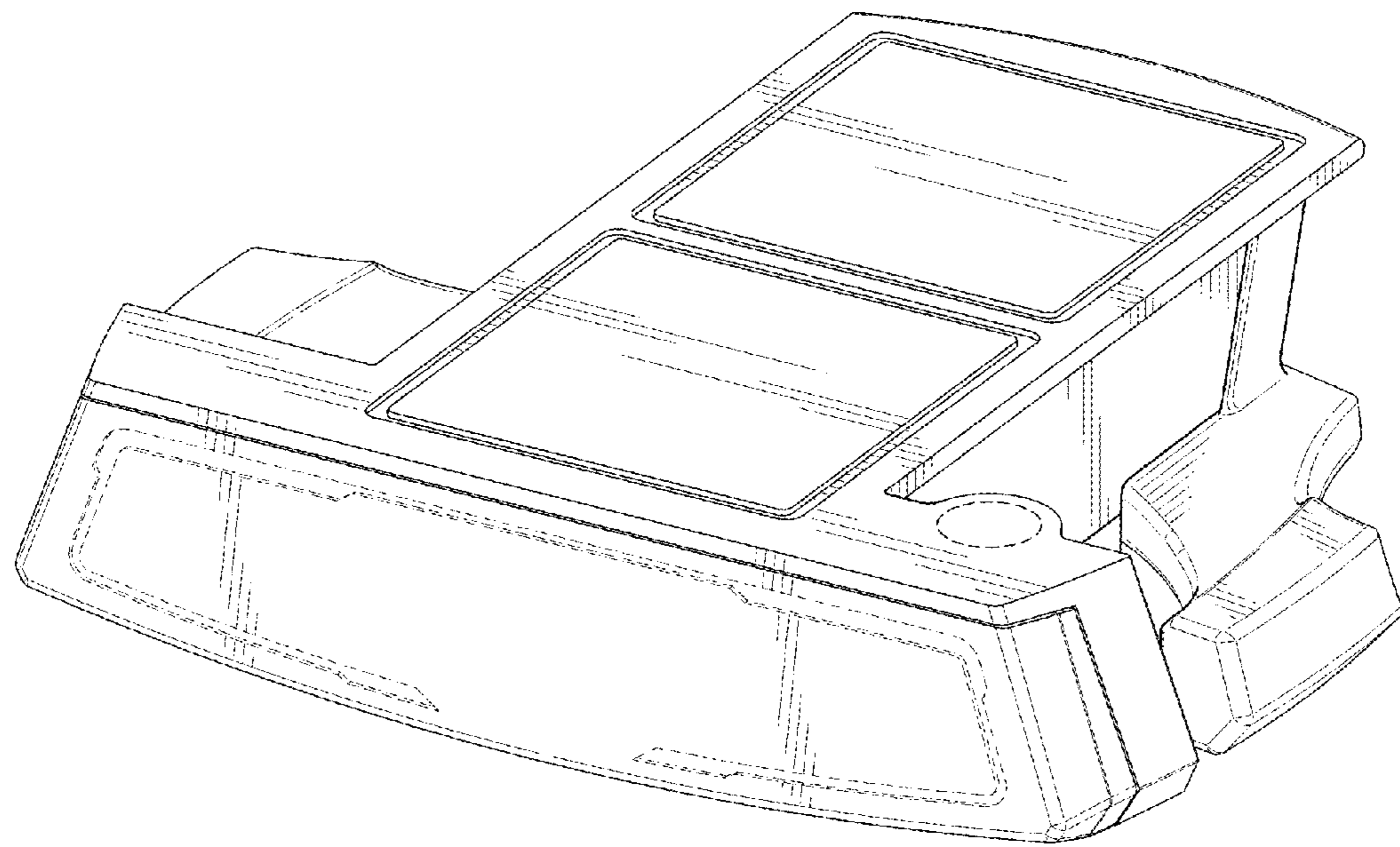


FIG. 1



FIG. 2

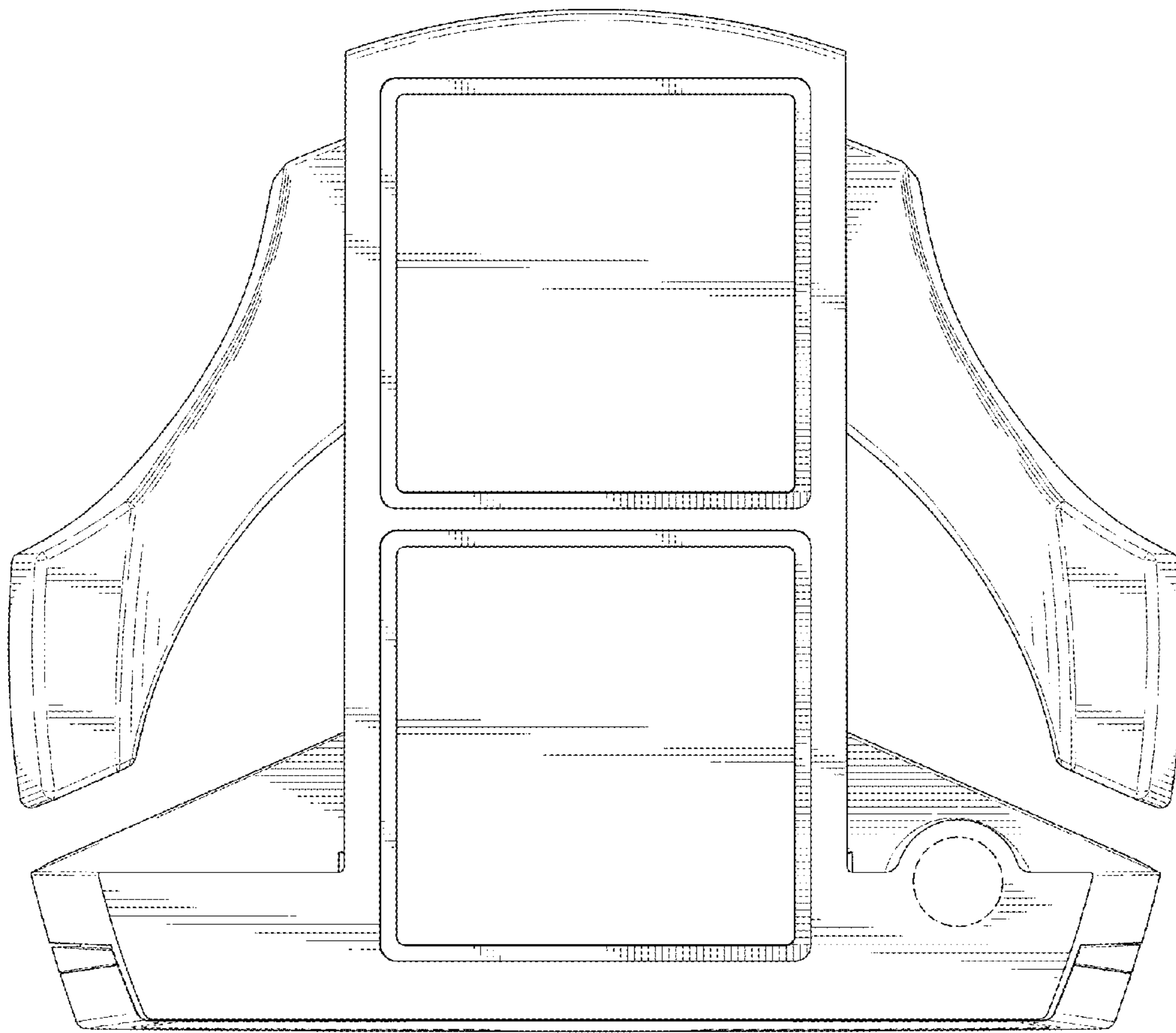


FIG. 3

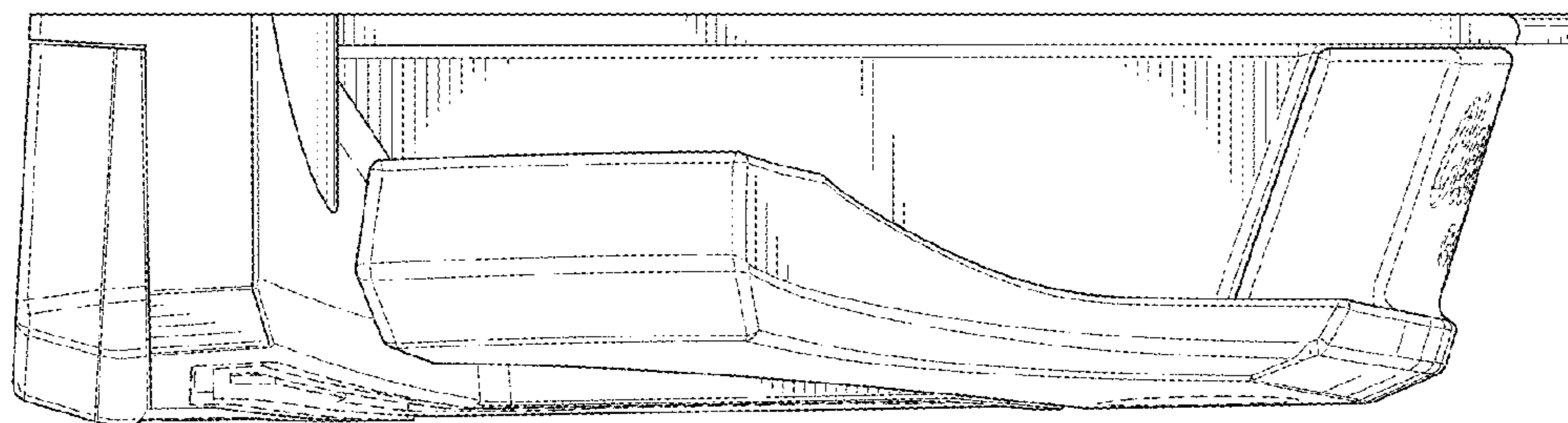


FIG. 4

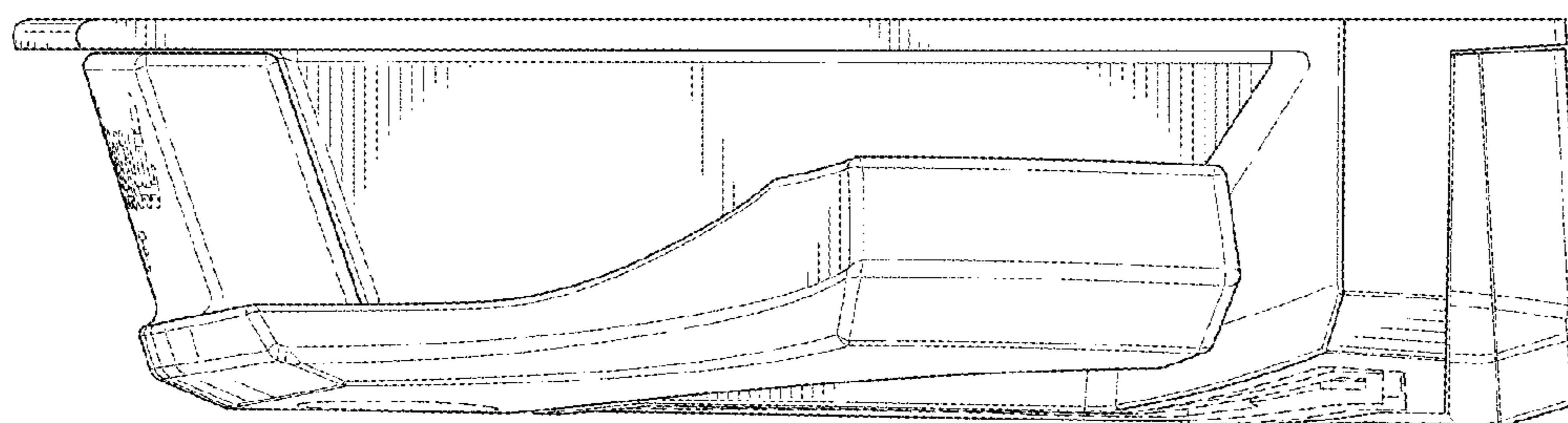


FIG. 5

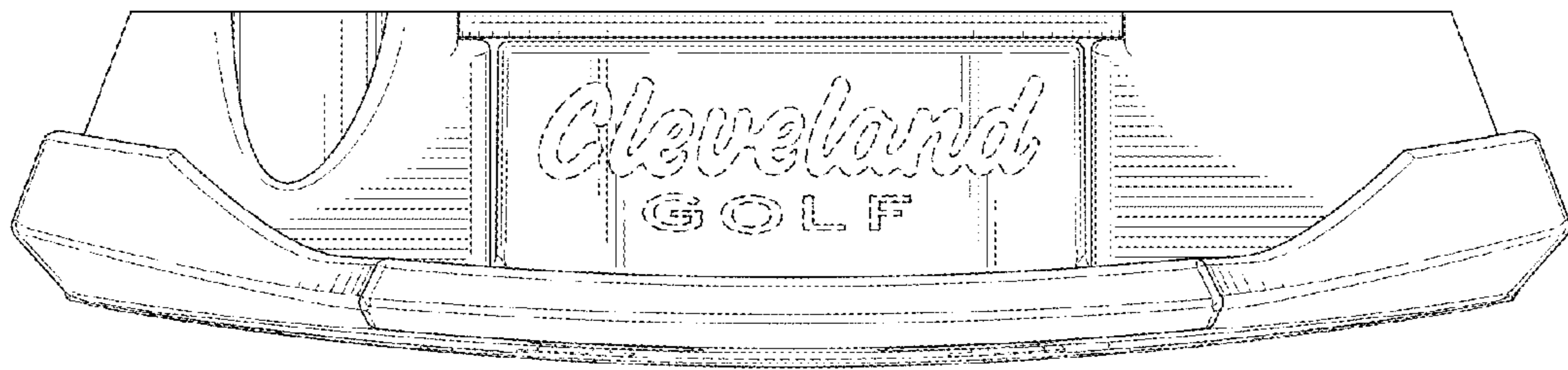


FIG. 6

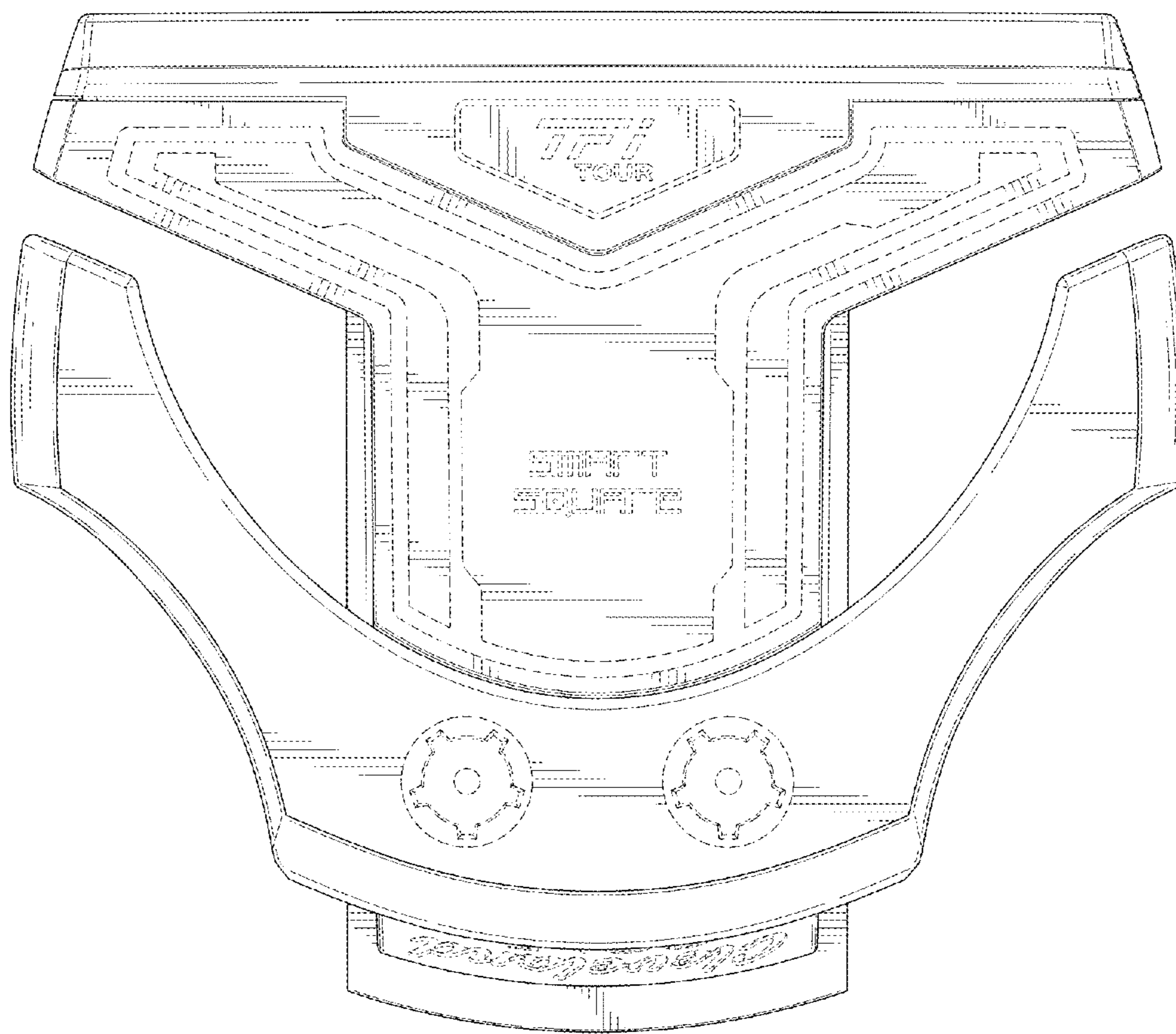


FIG. 7

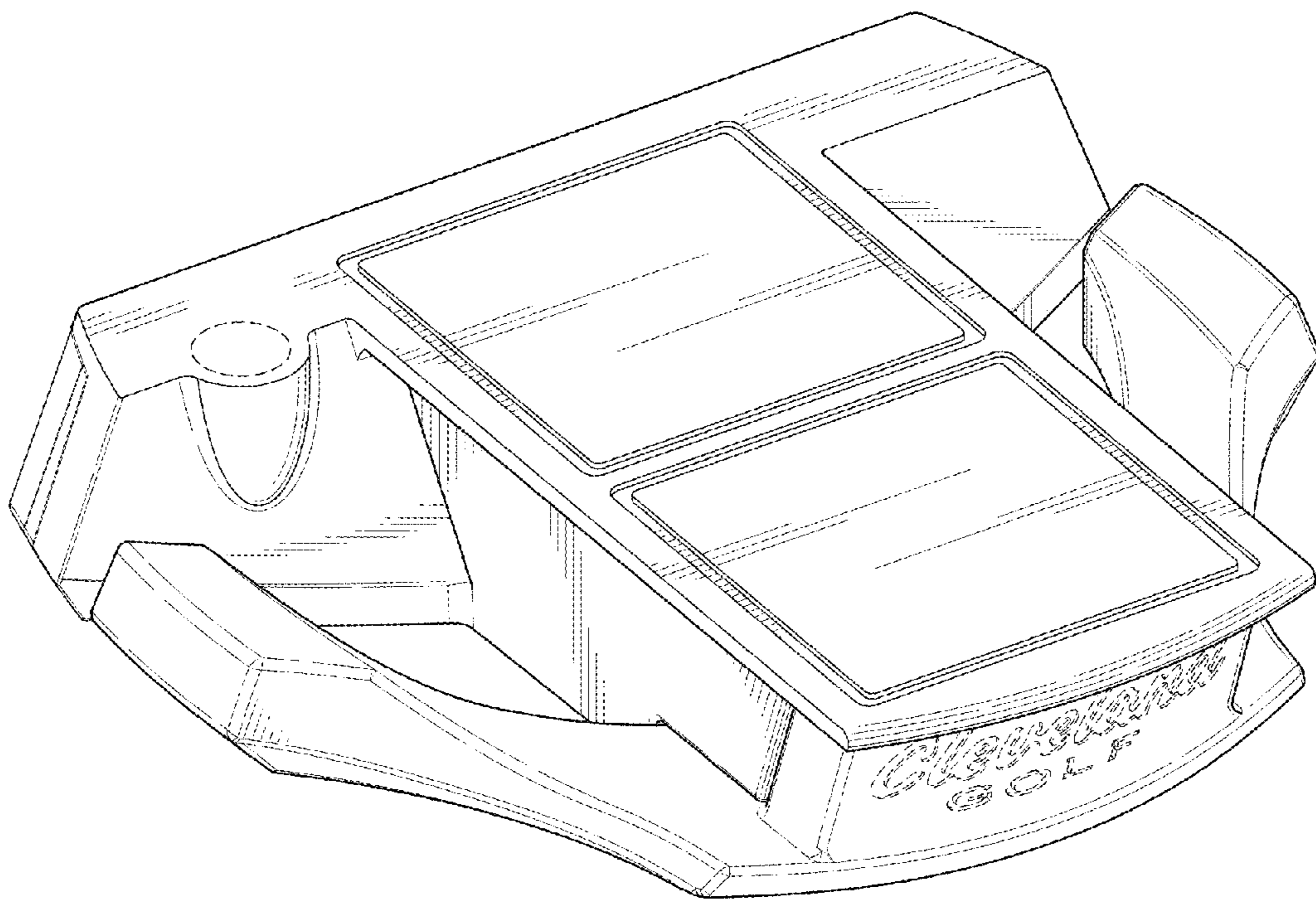


FIG. 8