



US00D757192S

(12) **United States Design Patent**
Hanson

(10) **Patent No.:** **US D757,192 S**
(45) **Date of Patent:** **** May 24, 2016**

(54) **PUTTER HEAD**

(71) Applicant: **Timothy J. Hanson**, West Bend, WI
(US)

(72) Inventor: **Timothy J. Hanson**, West Bend, WI
(US)

(**) Term: **14 Years**

(21) Appl. No.: **29/524,752**

(22) Filed: **Apr. 23, 2015**

D380,800 S *	7/1997	Matsuoka	D21/738
D399,900 S *	10/1998	Hogan	D21/742
D406,868 S *	3/1999	Nelson	D21/738
5,893,804 A *	4/1999	Pan	A63B 53/04 473/240
D422,657 S *	4/2000	Lee	D21/738
D425,951 S *	5/2000	Davis	D21/736
6,554,721 B1	4/2003	Woodward et al.		
D491,991 S *	6/2004	Friebus	D21/738
D517,624 S *	3/2006	Wilson	D21/746
7,169,058 B1 *	1/2007	Fagan	A63B 53/02 473/293
D725,207 S *	3/2015	Gubany	D21/738
9,044,655 B1 *	6/2015	Hanson	A63B 53/0487
2002/0198060 A1 *	12/2002	Fisher	A63B 53/007 473/244

Related U.S. Application Data

(63) Continuation-in-part of application No. 14/156,983, filed on Jan. 16, 2014, now Pat. No. 9,044,655, which is a continuation-in-part of application No. 13/621,302, filed on Sep. 17, 2012, now abandoned.

(51) **LOC (10) Cl.** **21-02**

(52) **U.S. Cl.**
USPC **D21/742**

(58) **Field of Classification Search**
USPC D21/736-746
CPC A63B 53/00; A63B 53/04; A63B 53/007;
A63B 53/065; A63B 53/0487
See application file for complete search history.

(56) **References Cited**

U.S. PATENT DOCUMENTS

1,525,137 A	2/1925	Lawton		
D206,540 S *	12/1966	Mackenzie	473/243
4,872,684 A	10/1989	Dippel		
5,476,262 A *	12/1995	Bandiero	A63B 53/0487 473/234
D375,131 S *	10/1996	Williams	D21/743

* cited by examiner

Primary Examiner — Mitchell Siegel

(74) *Attorney, Agent, or Firm* — Donald J. Ersler

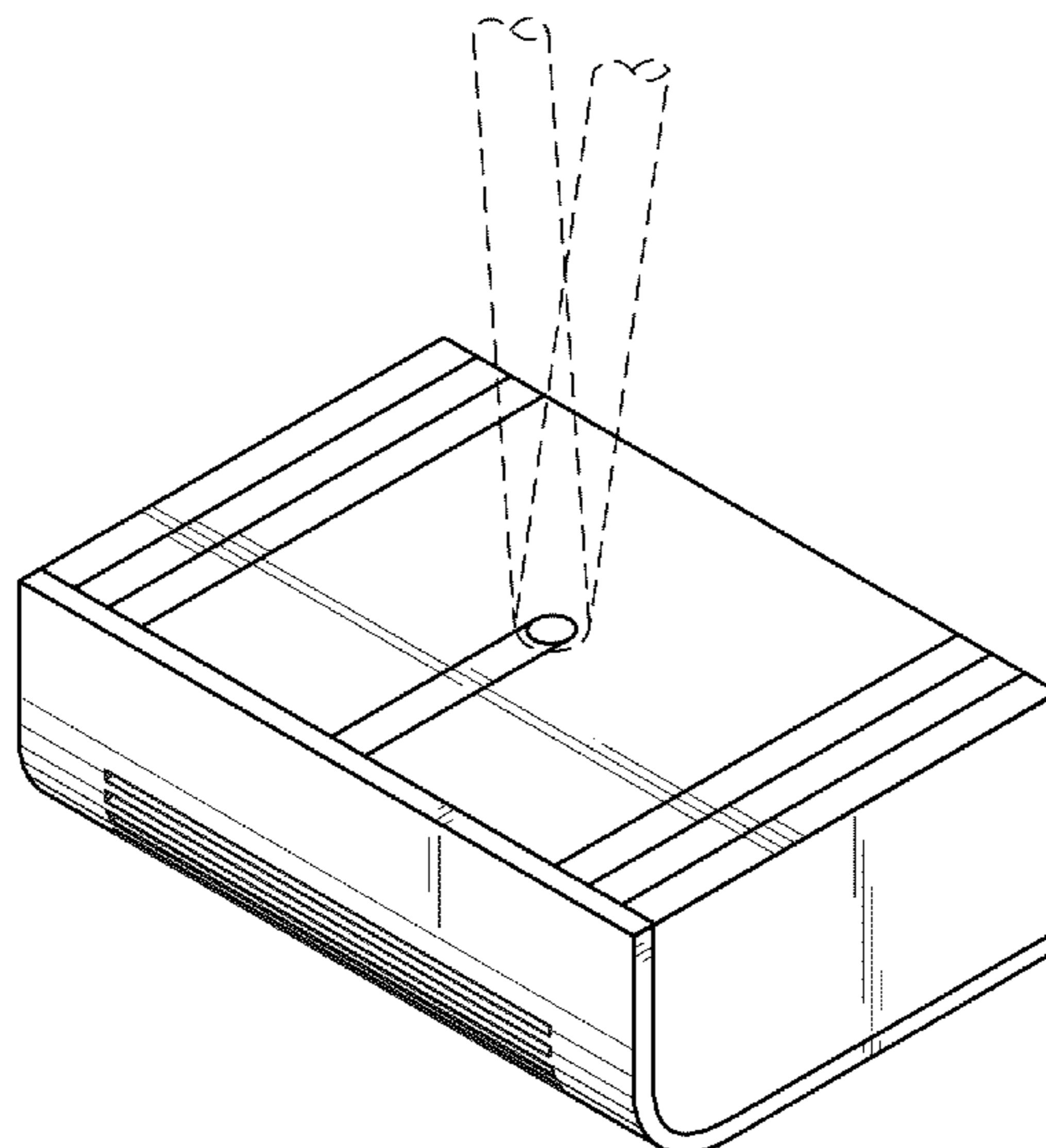
(57) **CLAIM**

The ornamental design for the putter head, as shown and described.

DESCRIPTION

FIG. 1 is a perspective view of a putter head incorporating my new design;
FIG. 2 is a front elevation view thereof.
FIG. 3 is a rear elevation view thereof.
FIG. 4 is a top plan view thereof;
FIG. 5 is a bottom plan view thereof;
FIG. 6 is a right side view thereof; and,
FIG. 7 is a left side view thereof.
The broken line showing is included for the purpose of illustrating and forms no part of the claimed design.

1 Claim, 4 Drawing Sheets



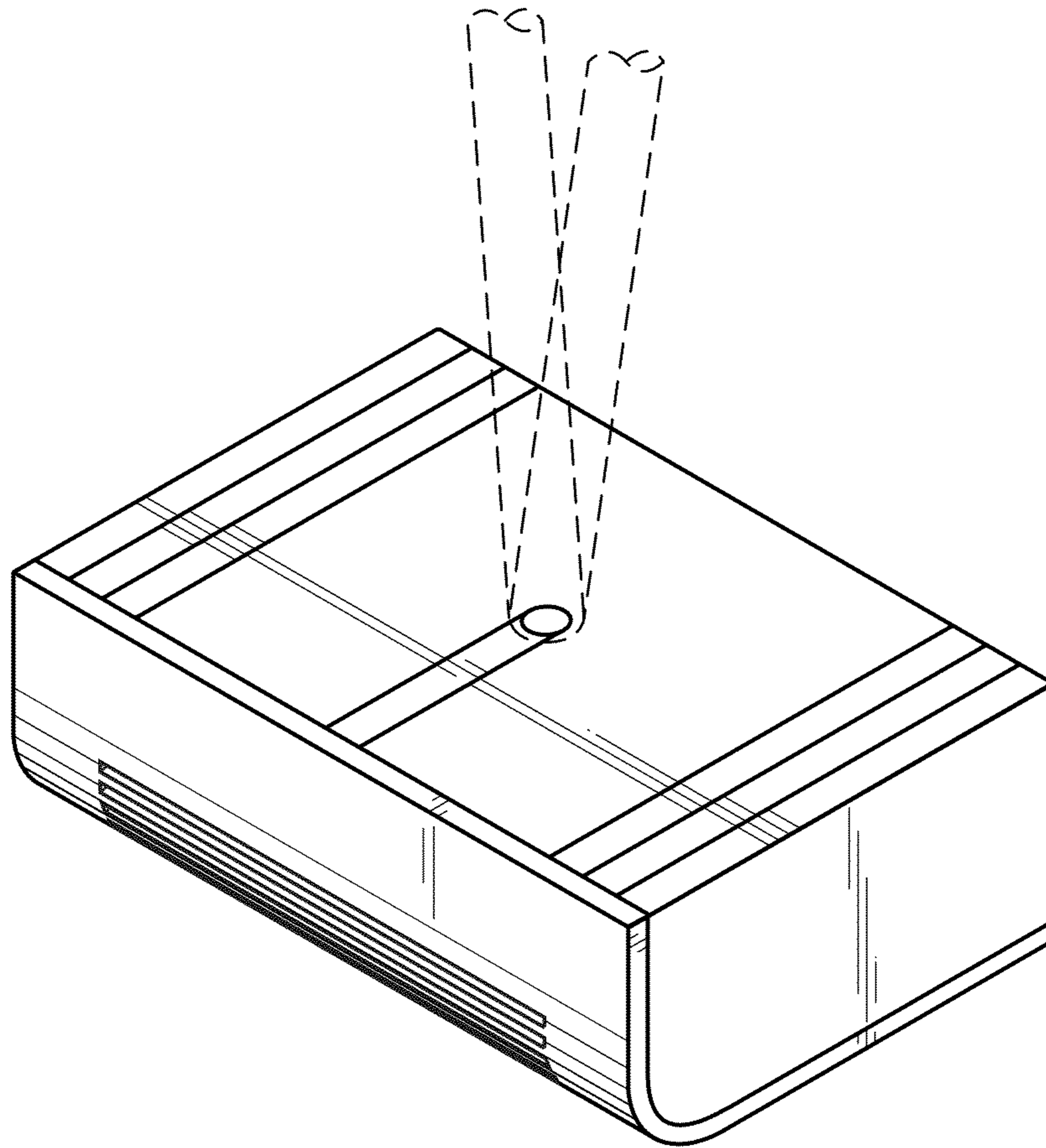


FIG. 1

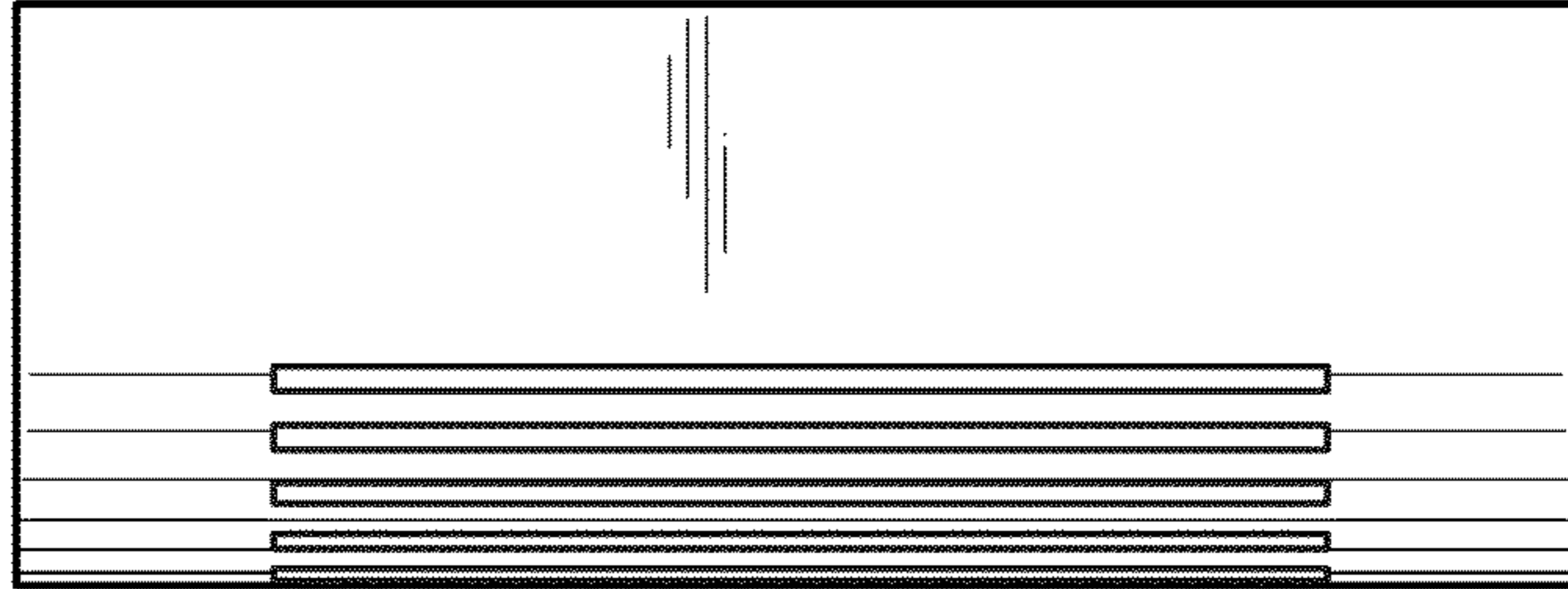


FIG. 2

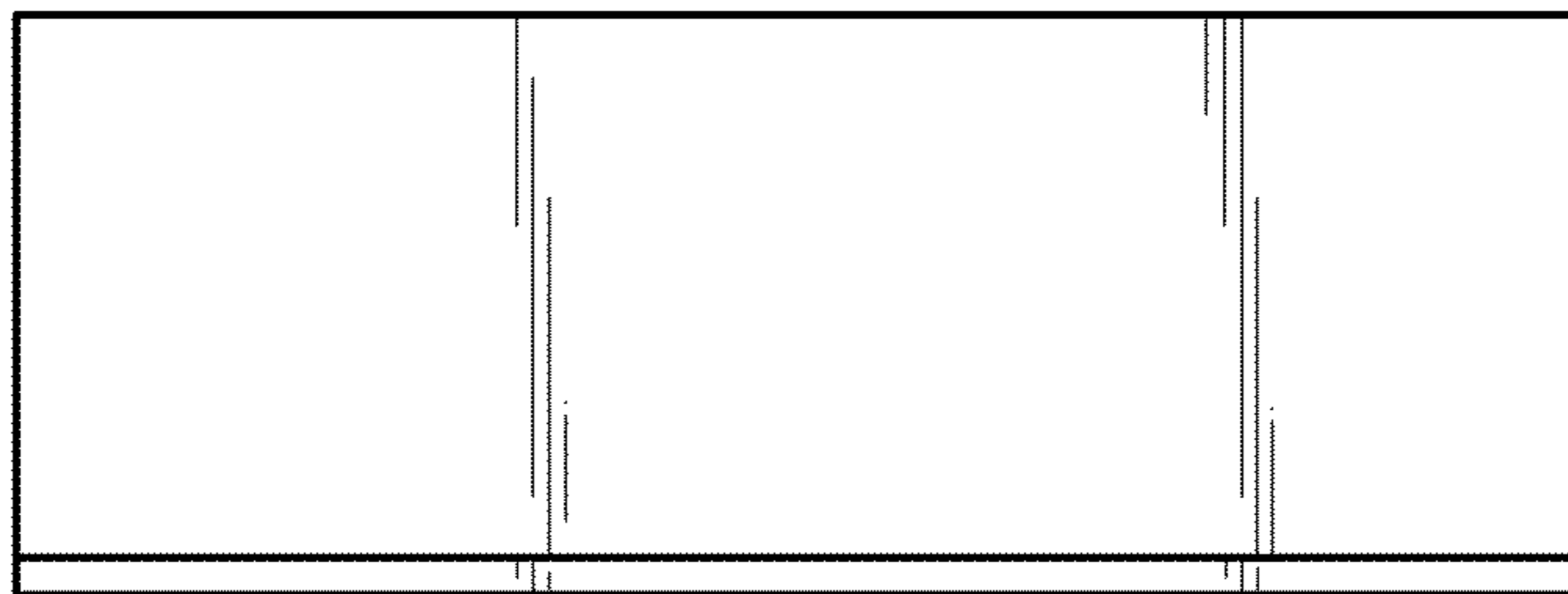


FIG. 3

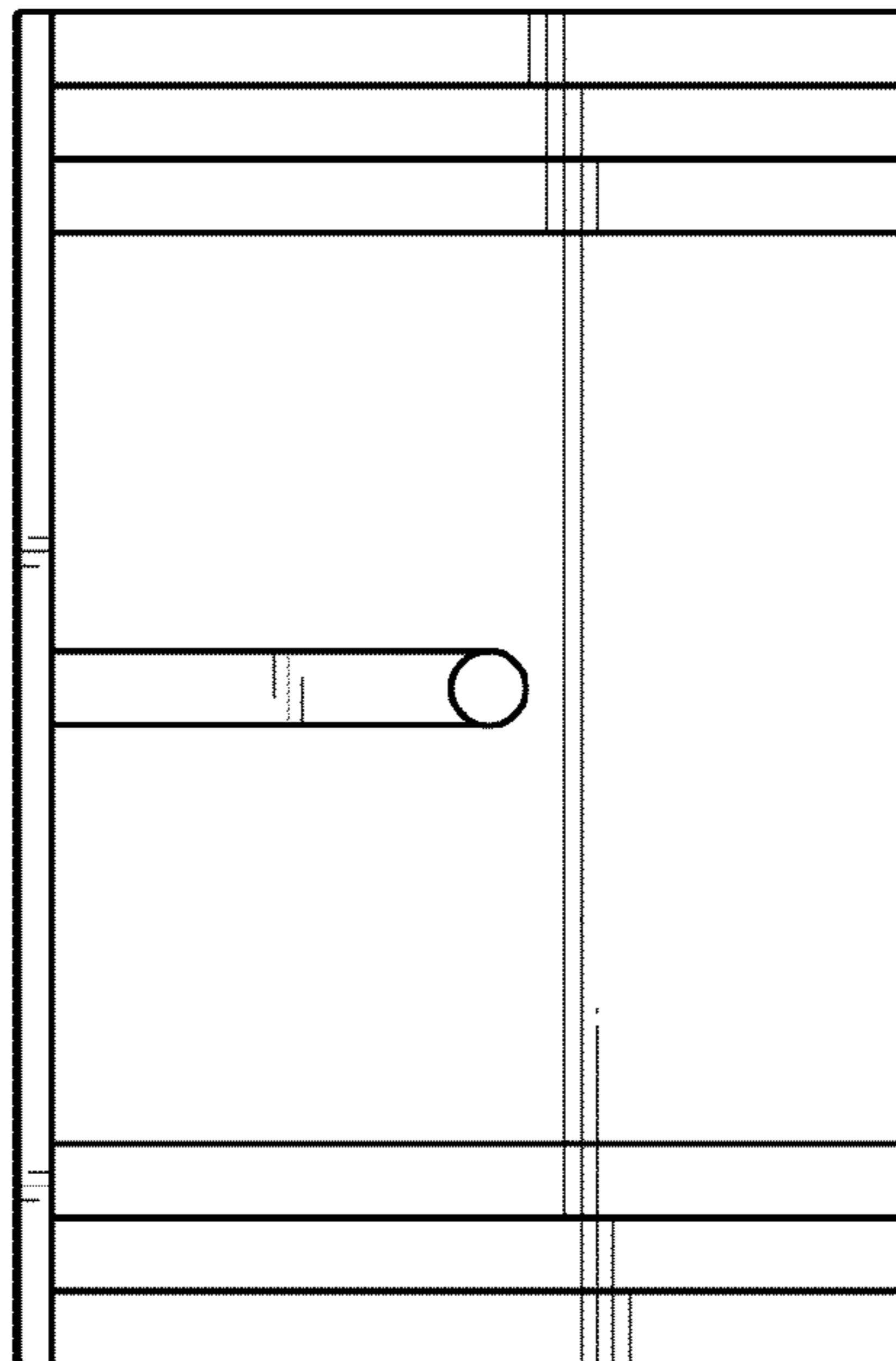


FIG. 4

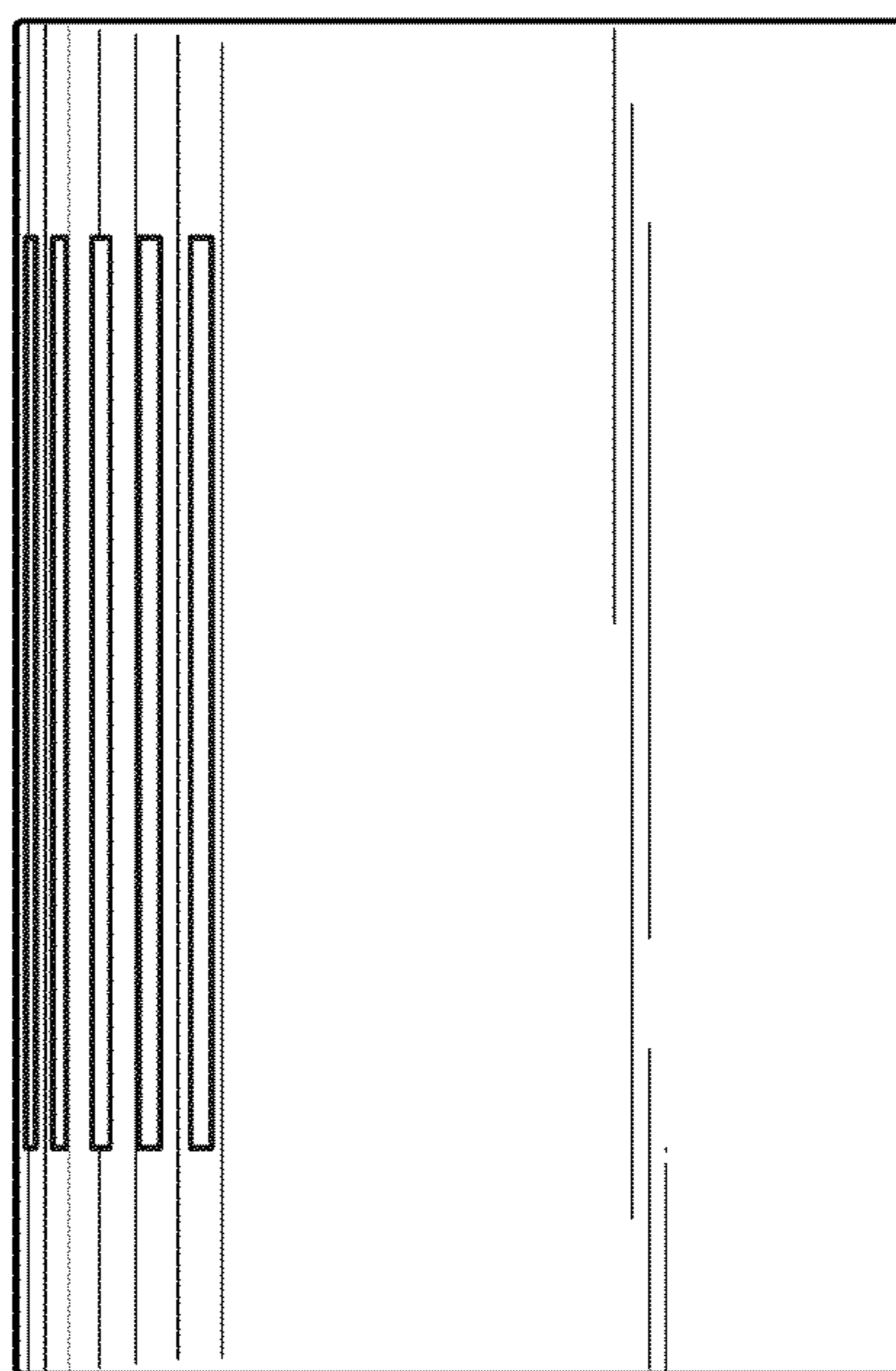


FIG. 5

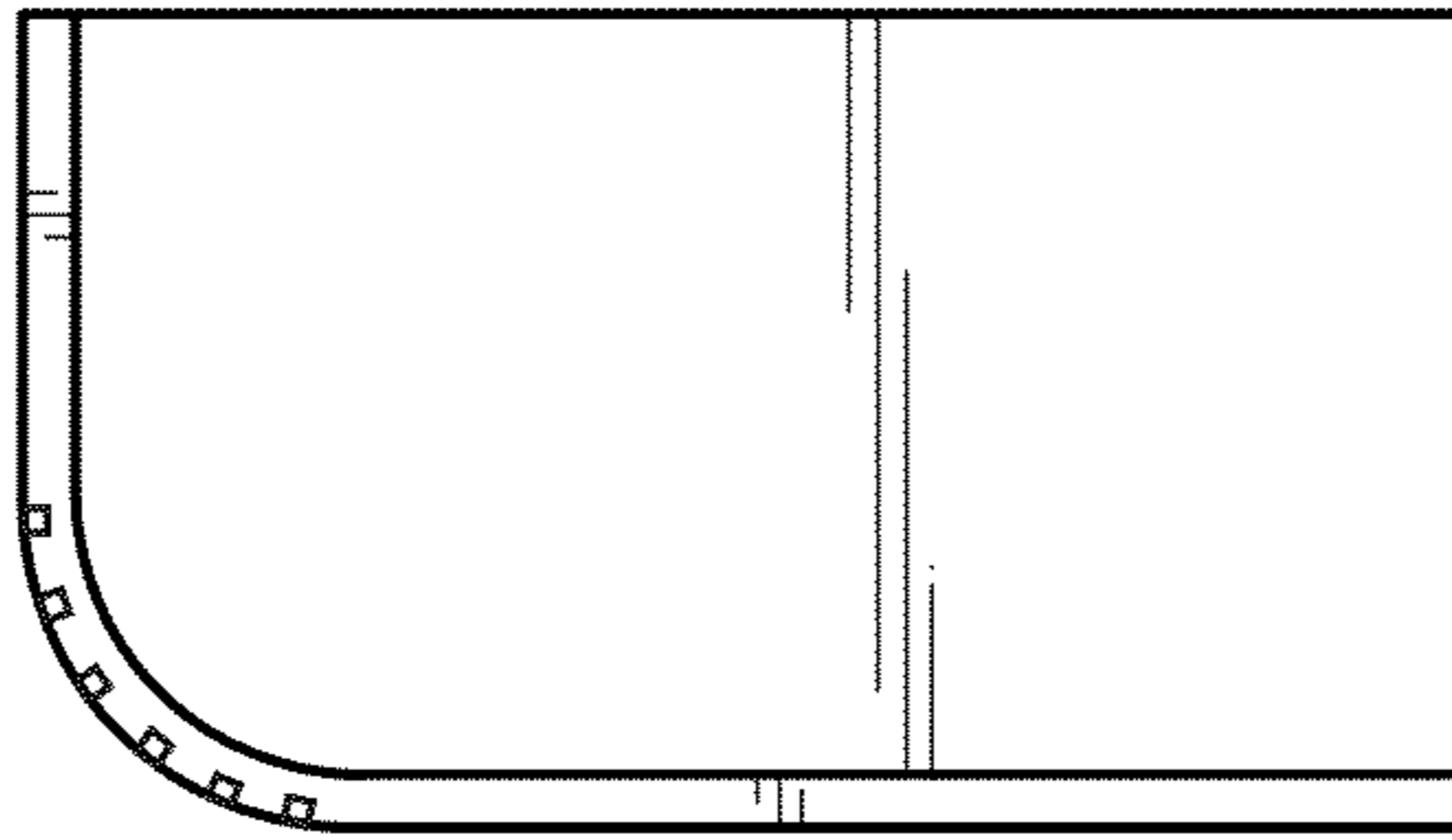


FIG. 6



FIG. 7