



US00D757189S

(12) **United States Design Patent**
Colburn

(10) **Patent No.:** **US D757,189 S**
(45) **Date of Patent:** **** May 24, 2016**

(54) **STAND FOR ARM AND LEG EXERCISER**

4,582,320 A * 4/1986 Shaw A63B 21/0072
482/130

(71) Applicant: **3D Innovations, LLC**, Greeley, CO
(US)

4,632,386 A 12/1986 Beech

(Continued)

(72) Inventor: **Kevin Lawrence Colburn**, Greeley, CO
(US)

FOREIGN PATENT DOCUMENTS

(73) Assignee: **3D Innovations, LLC**, Greeley, CO
(US)

TW 498768 8/2002
TW M342183 10/2008
TW M359342 6/2009

OTHER PUBLICATIONS

(**) Term: **15 Years**

Adjustable Stand for the MagneTrainer Arm and Leg Exerciser by
MagneTrainer dated No date given. Found online [Feb. 4, 2016]
http://www.amazon.com/Adjustable-Stand-MagneTrainer-Arm-Exerciser/dp/B01139EDVS/ref=Ip_2595964011_1_8?srs=2595964011&ie=UTF8&qid=1454613122&sr=8-8.*

(Continued)

(21) Appl. No.: **29/529,241**

(22) Filed: **Jun. 4, 2015**

(51) **LOC (10) Cl.** **21-02**

(52) **U.S. Cl.**

USPC **D21/665**

(58) **Field of Classification Search**

USPC D21/686, 690, 676, 662, 691, 673, 697,
D21/797, 826, 694, 671, 685, 688, 689;
482/129, 92, 104, 142, 57, 63, 138, 94,
482/106, 108, 908, 130, 146, 147, 34, 135,
482/101, 97, 139, 62, 51, 37, 121, 126, 148,
482/113, 137; D6/708, 552, 675, 675.5,
D6/349, 301; D3/307, 273, 276, 298, 277,
D3/294, 350; D7/510, 511; D12/114, 411,
D12/414.1; D25/1, 33, 126
CPC A63B 22/0605; A63B 21/4029; A63B
23/0211; A63B 21/225; A63B 21/4035;
A63B 21/078

See application file for complete search history.

Primary Examiner — Robert M Spear

Assistant Examiner — Ryan Harvey

(74) *Attorney, Agent, or Firm* — Craig R. Miles; CR Miles
P.C.

(57) **CLAIM**

I claim the ornamental design for a stand for arm and leg
exerciser, as shown and described.

DESCRIPTION

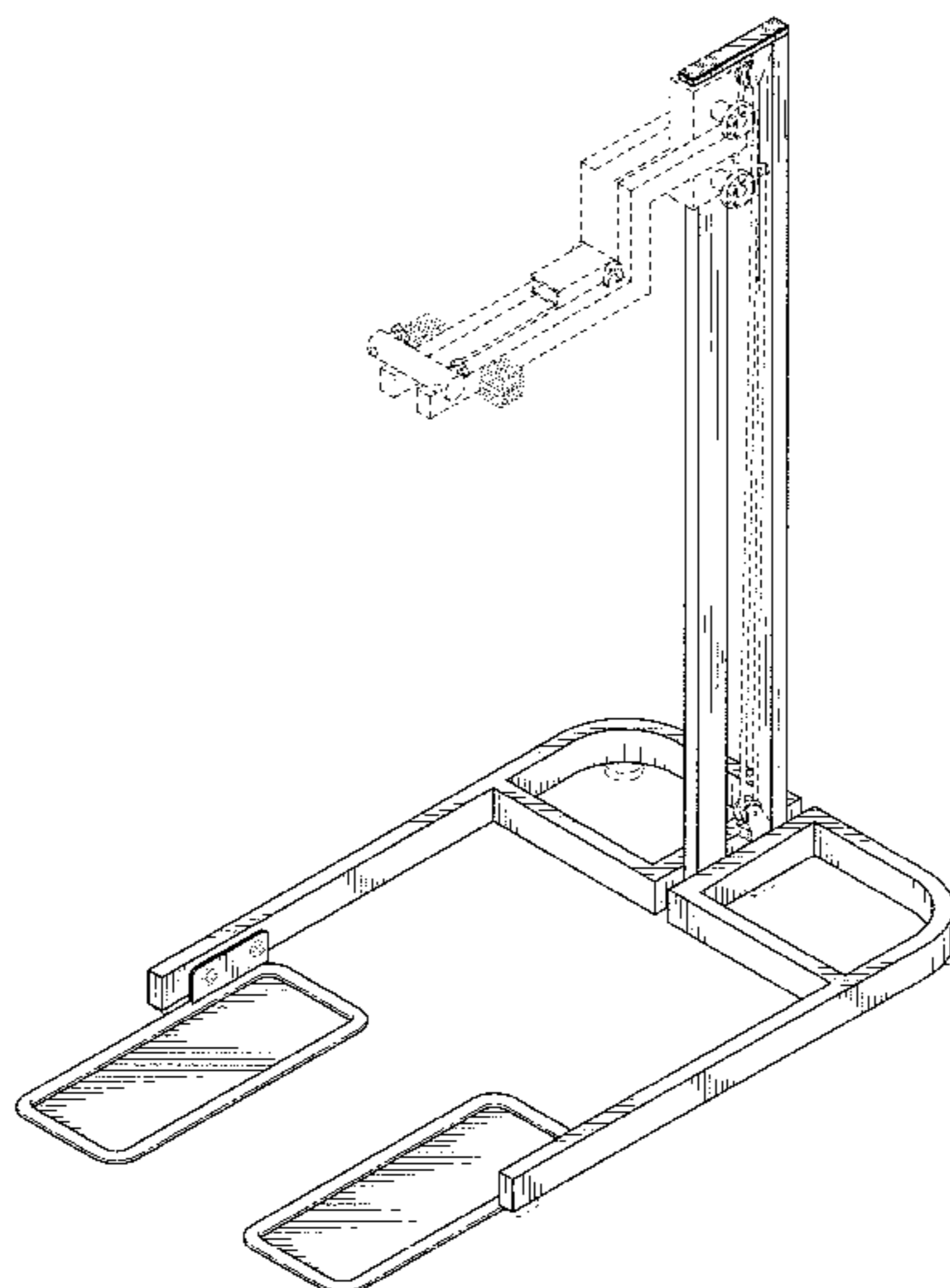
FIG. 1 is a top and right side perspective view of a stand for
arm and leg exerciser, embodying our new design;
FIG. 2 is a right side elevation view thereof;
FIG. 3 is a left side elevation view thereof;
FIG. 4 is a front side elevation view thereof;
FIG. 5 is a back side elevation view thereof;
FIG. 6 is a top plan view thereof; and,
FIG. 7 is a bottom plan view thereof.
The broken lines shown are included for the purpose of illus-
trating the unclaimed portions of the article and form no part
of the claim.

(56) **References Cited**

U.S. PATENT DOCUMENTS

D230,613 S * 3/1974 Coker D21/673
4,492,375 A * 1/1985 Connelly A63B 21/055
482/130
4,576,377 A * 3/1986 Wolff A63B 23/0355
482/113

1 Claim, 7 Drawing Sheets



(56)

References Cited

U.S. PATENT DOCUMENTS

D321,735 S * 11/1991 Blubaugh D21/673
 5,257,701 A 11/1993 Edelson
 5,314,392 A 5/1994 Hawkins et al.
 5,472,396 A 12/1995 Brazaitis
 D368,747 S * 4/1996 Gifford D21/690
 5,599,260 A 2/1997 Rovinsky et al.
 5,688,216 A * 11/1997 Mauriello A63B 21/154
 482/101
 5,762,584 A 6/1998 Daniels
 5,807,212 A 9/1998 Nelson
 D401,985 S * 12/1998 Wheeler D21/686
 5,855,538 A 1/1999 Argabright
 5,954,619 A * 9/1999 Petrone A63B 21/078
 482/104
 D420,069 S * 2/2000 Conner D21/686
 6,027,429 A 2/2000 Daniels
 6,387,023 B1 * 5/2002 Liga, Jr. A63B 23/03541
 482/121
 6,482,139 B1 * 11/2002 Haag A63B 21/0552
 482/121
 7,115,072 B1 10/2006 Stoll
 7,533,894 B2 5/2009 Ehler
 7,621,852 B2 11/2009 Bowser
 7,686,742 B2 3/2010 Tischler et al.
 7,901,331 B1 3/2011 Stoll

7,938,761 B2 5/2011 Simonson et al.
 8,585,561 B2 11/2013 Watt et al.
 D697,565 S * 1/2014 Giger D21/665
 D731,601 S * 6/2015 Bradley D21/686
 2002/0198082 A1 * 12/2002 Arroyo A63B 23/03575
 482/51
 2004/0198563 A1 * 10/2004 Howell A63B 22/0012
 482/62
 2008/0113852 A1 * 5/2008 Caldwell A63B 21/00047
 482/133
 2014/0113776 A1 * 4/2014 Jaguan A63B 71/023
 482/57

OTHER PUBLICATIONS

Total Body Cycle Arm and Leg Exerciser by Total Body Cycle dated No date given. Found online [Feb. 4, 2016] http://www.amazon.com/Total-Body-Cycle-Arm-Exerciser/dp/B01138ZREQ/ref=Ip_12703959011_1_1?srs=12703959011&ie=UTF8&qid=1454613119&sr=8-1.
 The Total Body Cycle by 3DInnovations dated No date given. Found online [Feb. 4, 2016] <http://3dinnovations.com/totalbodycycle/>.
 Isokinetics, Inc. Deluxe Pedal Exerciser. On-line catalog, <http://www.isokineticsinc.com>, originally downloaded Jan. 13, 2014, 1 page.

* cited by examiner

FIG. 1

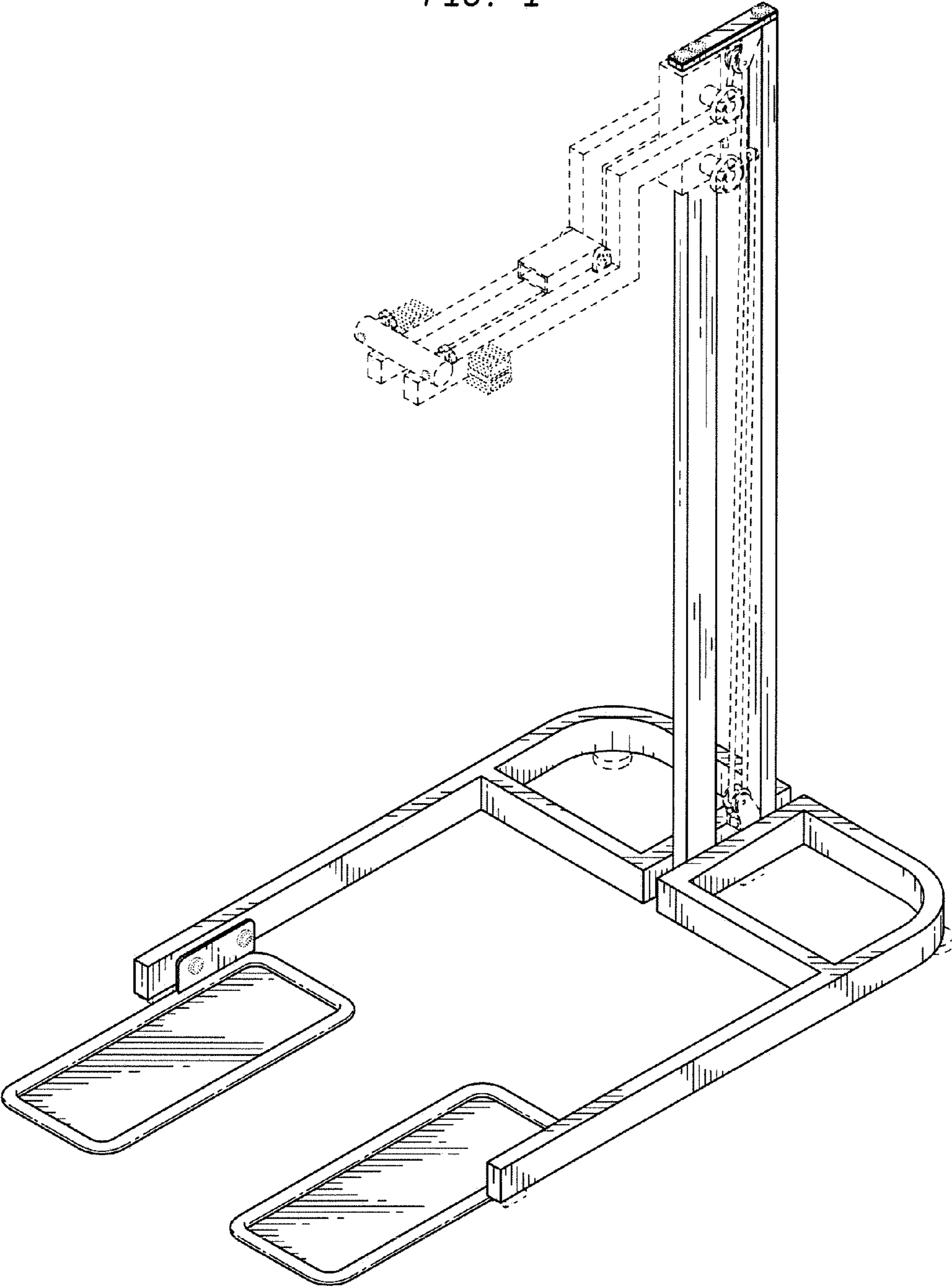


FIG. 2

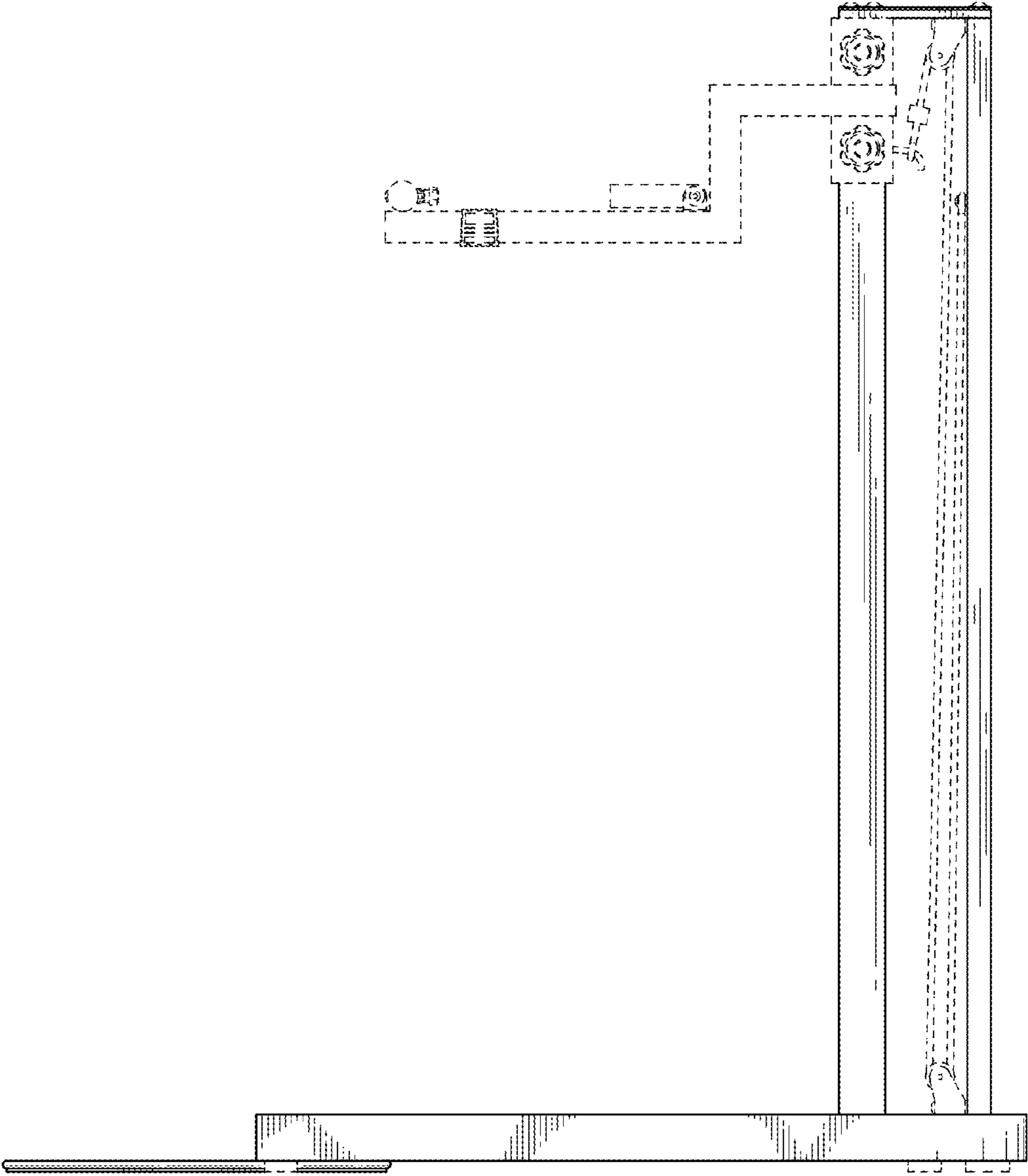


FIG. 3

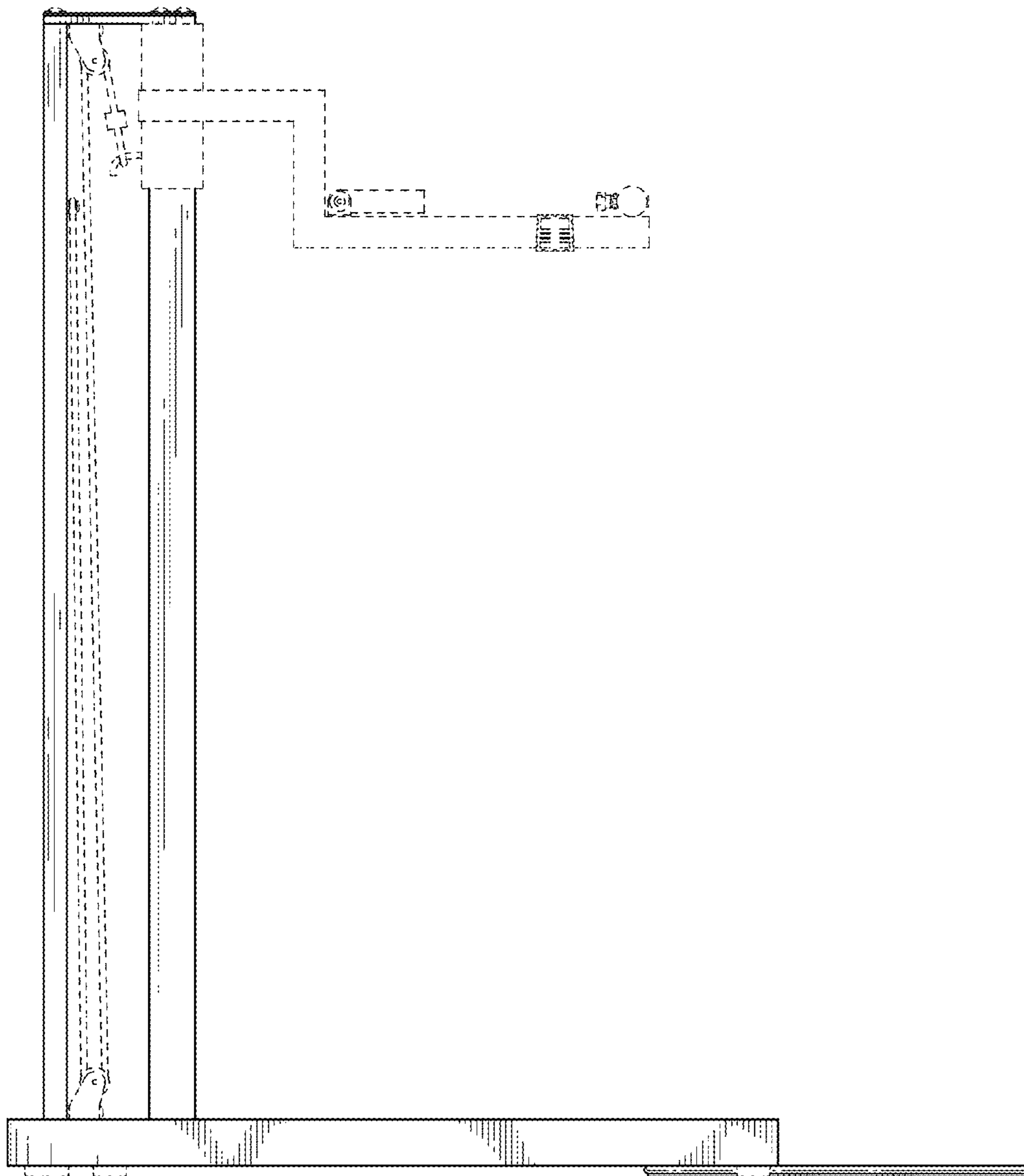


FIG. 4

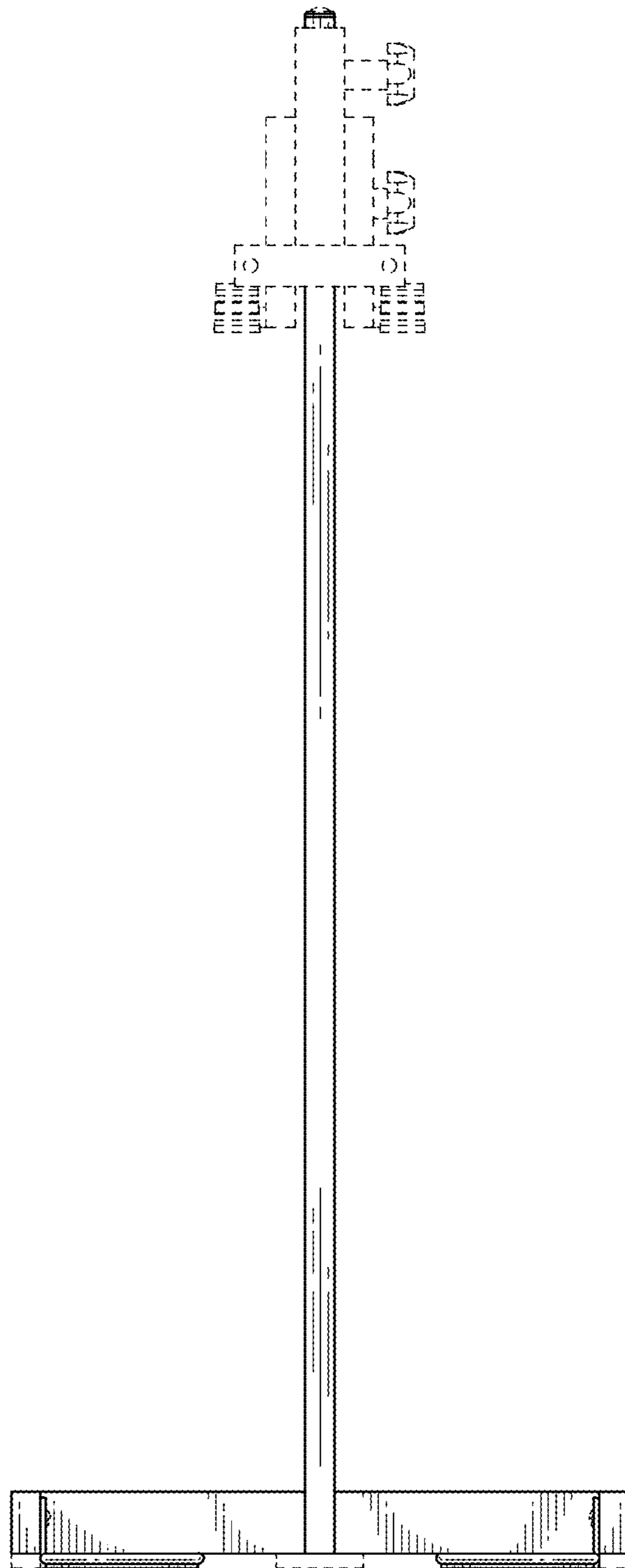


FIG. 5

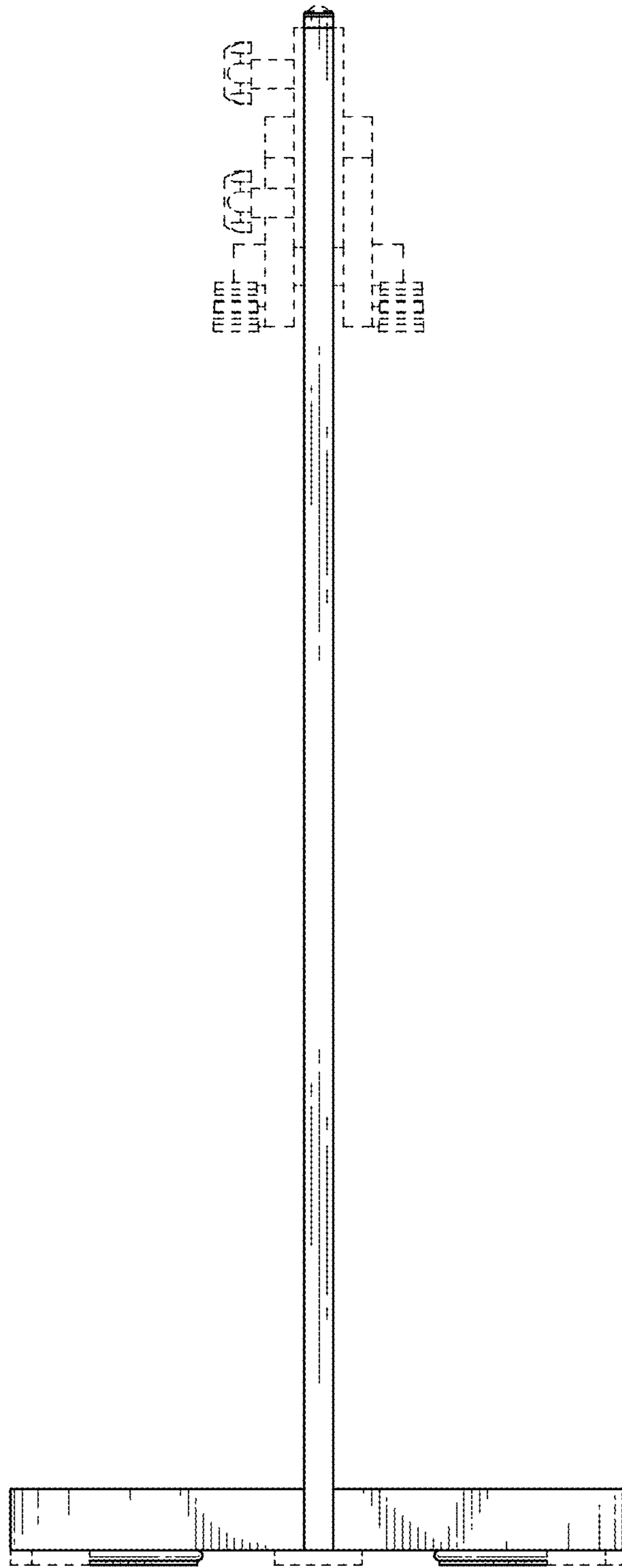


FIG. 6

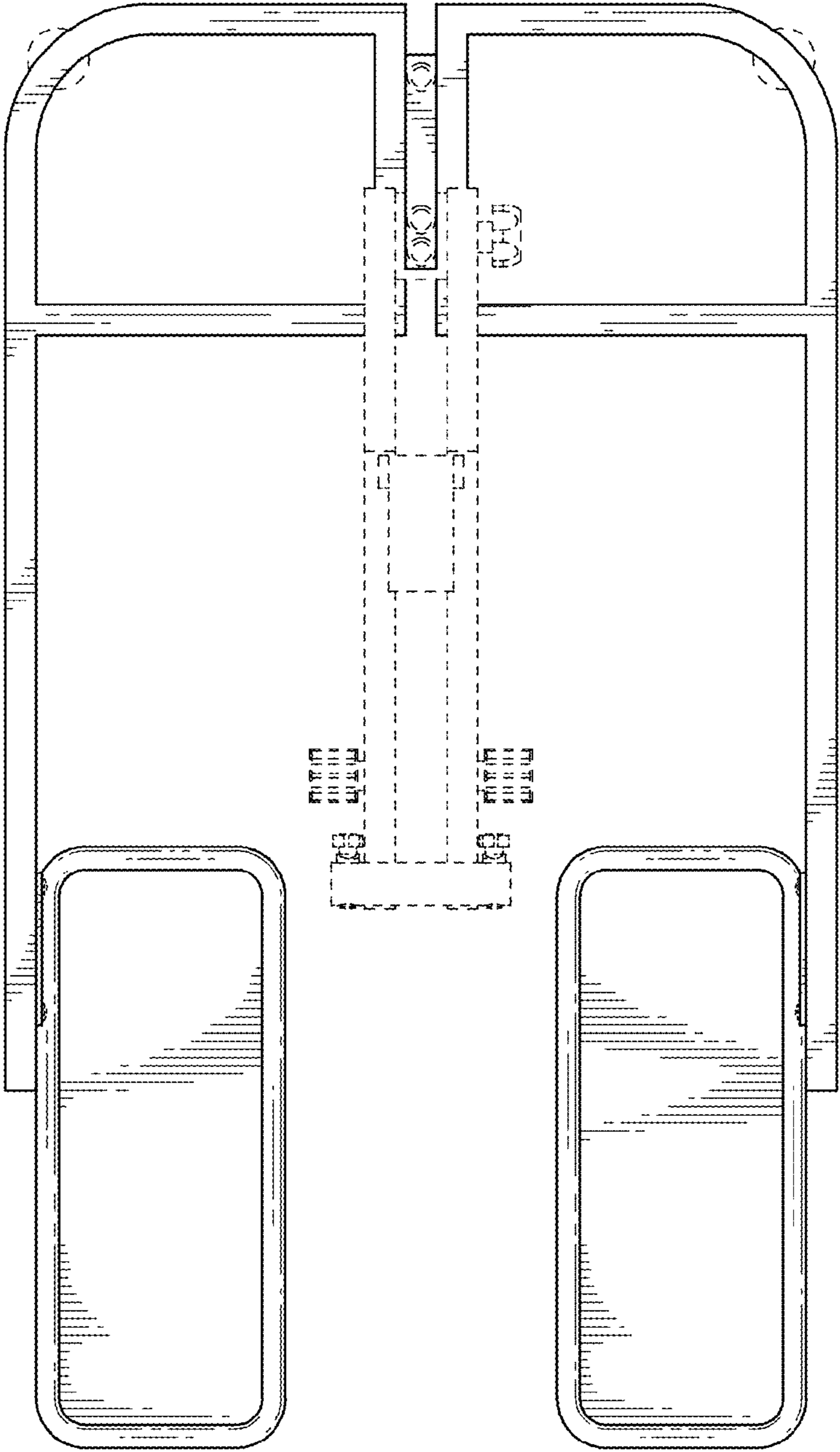


FIG. 7

