



US00D757188S

(12) **United States Design Patent**  
**Murayama et al.**

(10) **Patent No.:** **US D757,188 S**  
(45) **Date of Patent:** **\*\* May 24, 2016**

(54) **GUN-SHAPED TOY**

- (71) Applicant: **BANDAI CO., LTD.**, Tokyo (JP)
- (72) Inventors: **Takamichi Murayama**, Tokyo (JP); **Masahiro Ueda**, Tokyo (JP); **Koji Nakamura**, Tokyo (JP); **Takahito Omori**, Tokyo (JP); **Yoshihiro Takagi**, Tokyo (JP)
- (73) Assignee: **BANDAI CO., LTD.**, Tokyo (JP)
- (\*\*) Term: **14 Years**
- (21) Appl. No.: **29/455,226**
- (22) Filed: **May 17, 2013**

(30) **Foreign Application Priority Data**

- Nov. 20, 2012 (JP) ..... 2012-028312
- (51) **LOC (10) Cl.** ..... **21-01**
- (52) **U.S. Cl.**  
USPC ..... **D21/573**
- (58) **Field of Classification Search**  
USPC ..... D21/574, 573, 570, 575, 571, 567;  
D22/100, 104, 108; 124/16, 25.7, 27,  
124/45, 82, 23.1, 35.2, 37; 222/79;  
446/401, 403, 400, 473, 445, 182, 405,  
446/407  
CPC ..... A63B 69/407; F41B 7/003; A63H 5/04  
See application file for complete search history.

(56) **References Cited**

- U.S. PATENT DOCUMENTS
- D354,997 S \* 1/1995 Arad et al. .... D21/574
- D639,352 S \* 6/2011 Chan ..... D21/572

(Continued)

**OTHER PUBLICATIONS**

“NerfMaverick”. Found online Aug. 7, 2015 at www.toygunreviews.com. Page dated Apr. 19, 2010. Retrieved from http://web.archive.org/web/20100419131352/http://www.toygunreviews.com/nerf-maverick.\*

(Continued)

*Primary Examiner* — Robert M Spear  
*Assistant Examiner* — Kendra L Hamilton  
(74) *Attorney, Agent, or Firm* — Rabin & Berdo, P.C.

(57) **CLAIM**

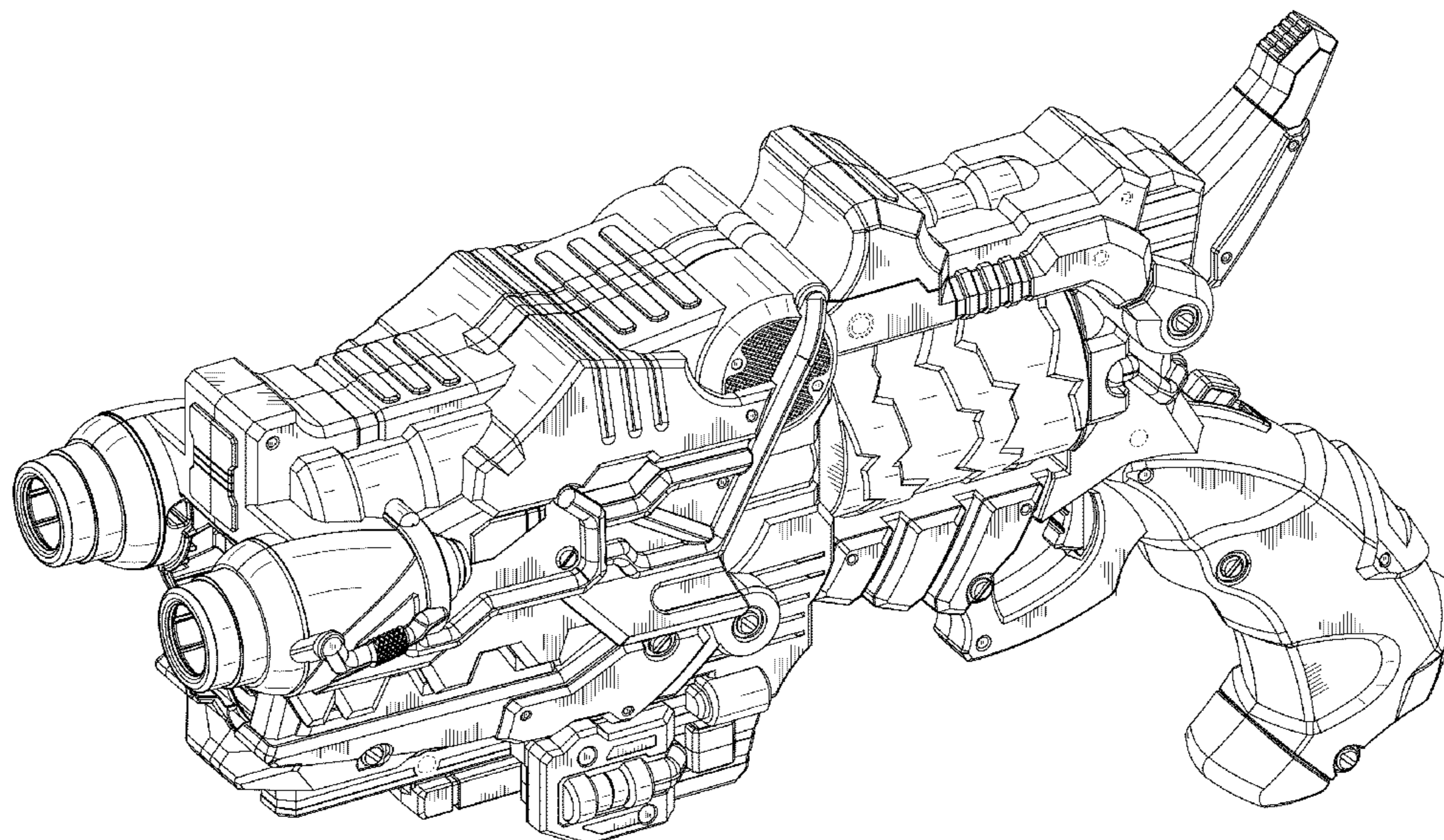
The ornamental design for a gun-shaped toy, as shown and described.

**DESCRIPTION**

FIG. 1 is a front view of a gun-shaped toy;  
 FIG. 2 is a rear view thereof;  
 FIG. 3 is a left side view thereof;  
 FIG. 4 is a right side view thereof;  
 FIG. 5 is a top view thereof;  
 FIG. 6 is a bottom view thereof;  
 FIG. 7 is a perspective view thereof;  
 FIG. 8 is another perspective view thereof;  
 FIG. 9 is a front view of the gun-shaped toy in a transformed state;  
 FIG. 10 is a rear view of the transformed state thereof;  
 FIG. 11 is a left side view of the transformed state thereof;  
 FIG. 12 is a right side view of the transformed state thereof;  
 FIG. 13 is a top view of the transformed state thereof;  
 FIG. 14 is a bottom view of the transformed state thereof;  
 FIG. 15 is a perspective view of the transformed state thereof;  
 and,  
 FIG. 16 is another perspective view of the transformed state thereof.

The broken lines in the drawings represent unclaimed environmental subject matter and form no part of the claim.

**1 Claim, 16 Drawing Sheets**



(56)

References Cited

U.S. PATENT DOCUMENTS

D660,925	S *	5/2012	Jablonski et al. ....	D21/573
D660,926	S *	5/2012	Mastin .....	D21/573
D660,927	S *	5/2012	Jablonski et al. ....	D21/574
D687,904	S *	8/2013	Hadley et al. ....	D21/573
D702,794	S *	4/2014	Chow et al. ....	D22/104
8,720,426	B2 *	5/2014	Hadley et al. ....	124/66
D721,143	S *	1/2015	Nichols et al. ....	D21/574
2012/0024279	A1 *	2/2012	Carlson et al. ....	124/66
2013/0125870	A1 *	5/2013	Huebl .....	124/56
2013/0239936	A1 *	9/2013	Victor et al. ....	124/16
2015/0059722	A1 *	3/2015	Yang .....	124/27

OTHER PUBLICATIONS

“Nerf Vulcan”. Found online Aug. 7, 2015 at [www.toygunreviews.com](http://www.toygunreviews.com). Page dated Apr. 19, 2010. Retrieved from <http://web.archive.org/web/20100419131435/http://www.toygunreviews.com/nerf-vulcan>.\*

“Max Force Maximizer 60”. Found online Aug. 7, 2015 at [amazon.com](http://www.amazon.com). Page dated Aug. 1, 2011. Retrieved from [http://www.amazon.co.uk/Max-Force-26663-Maximiser-60/dp/B004S51X8Q/ref=sr\\_1\\_3?s=kids&ie=UTF8&qid=1438957296&sr=1-3&keywords=max+force+gun](http://www.amazon.co.uk/Max-Force-26663-Maximiser-60/dp/B004S51X8Q/ref=sr_1_3?s=kids&ie=UTF8&qid=1438957296&sr=1-3&keywords=max+force+gun).\*

\* cited by examiner

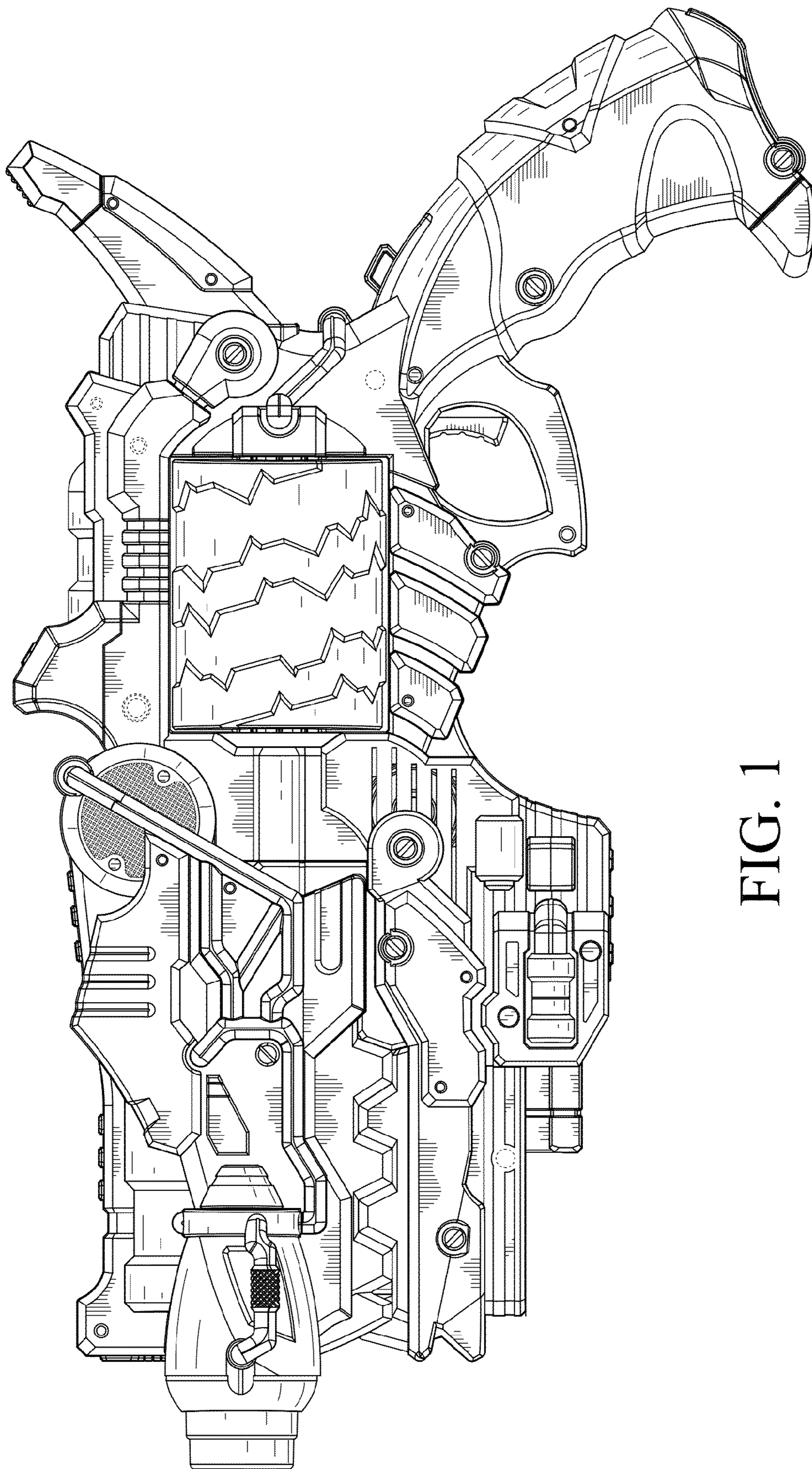


FIG. 1

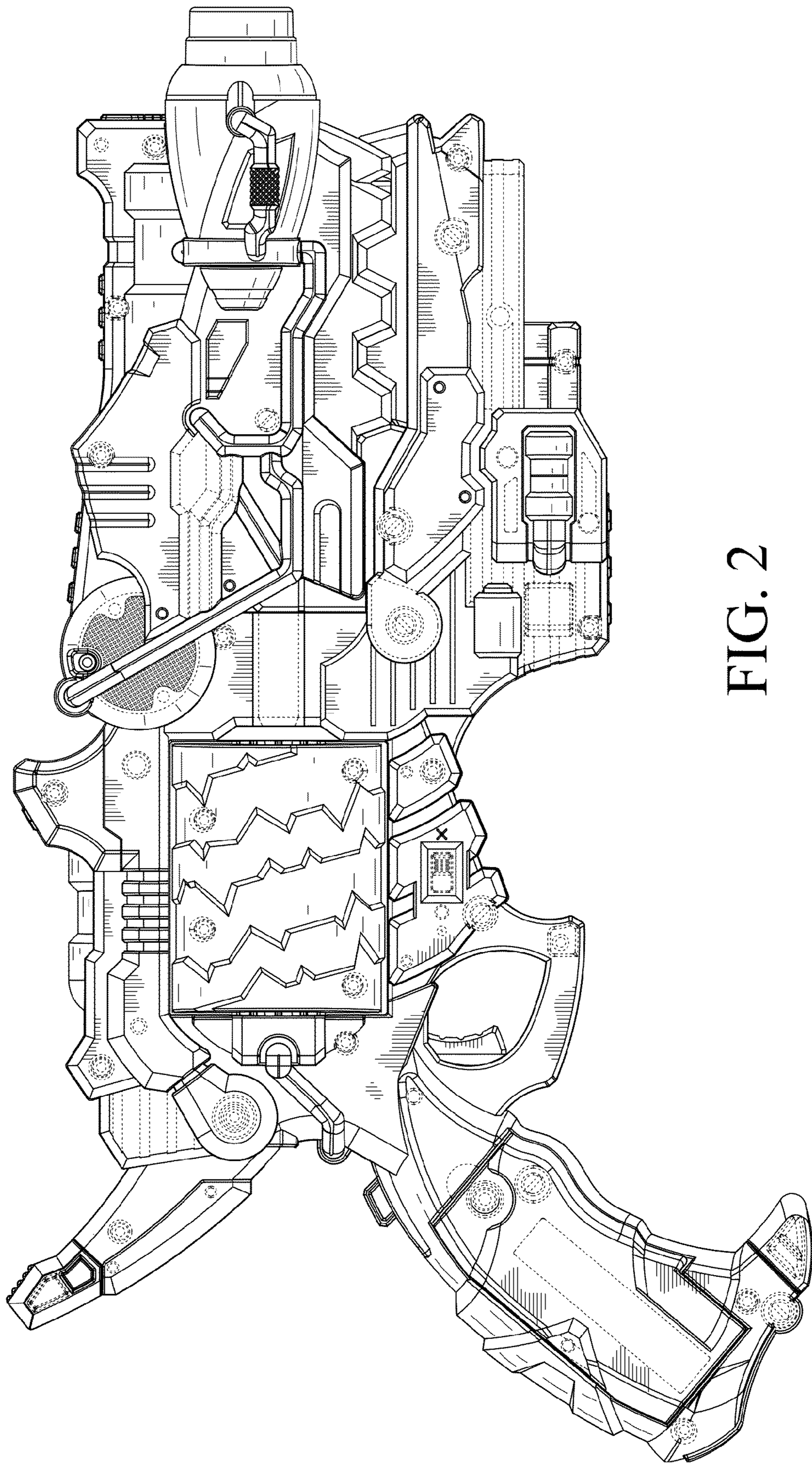


FIG. 2

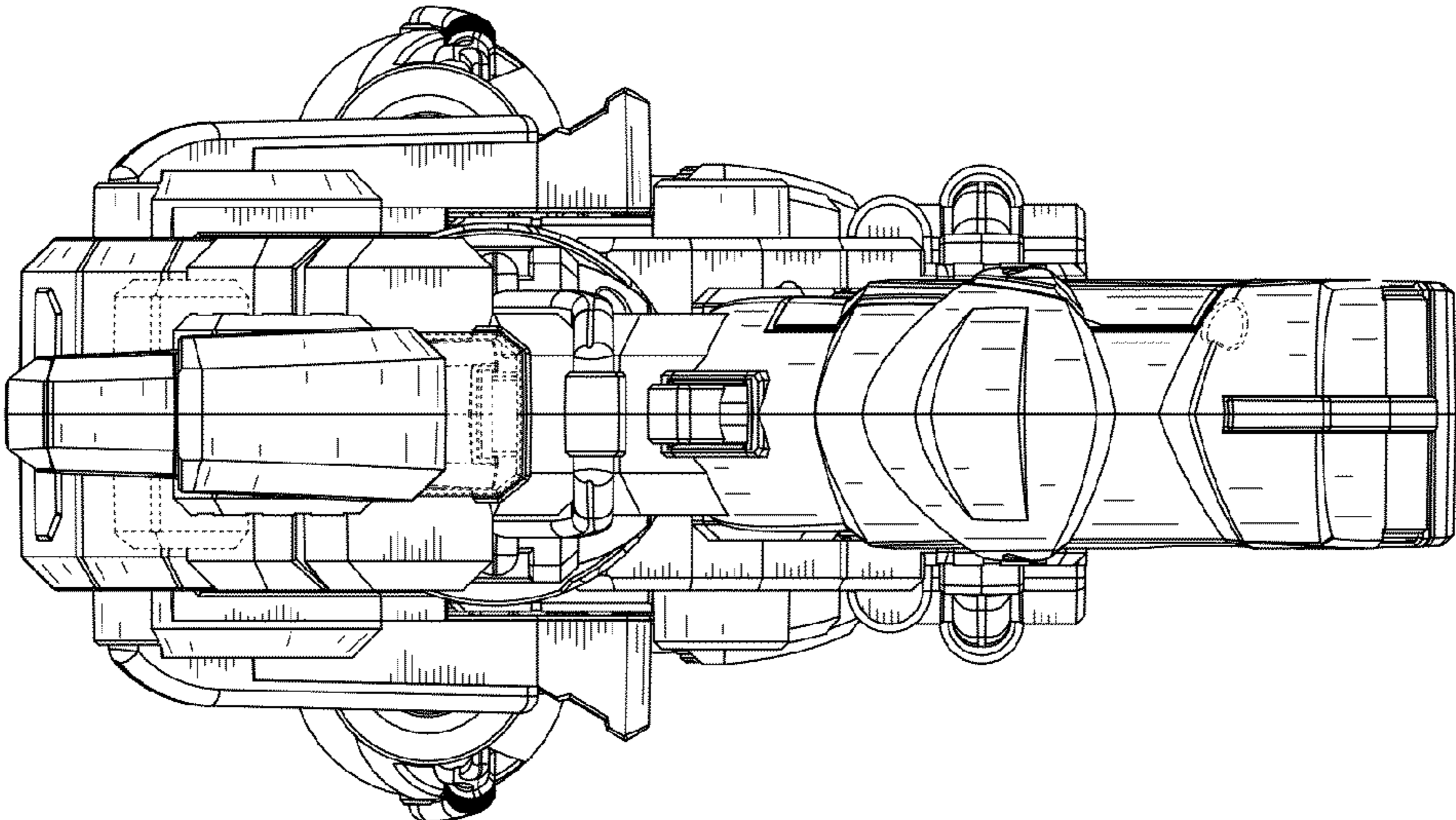


FIG. 3

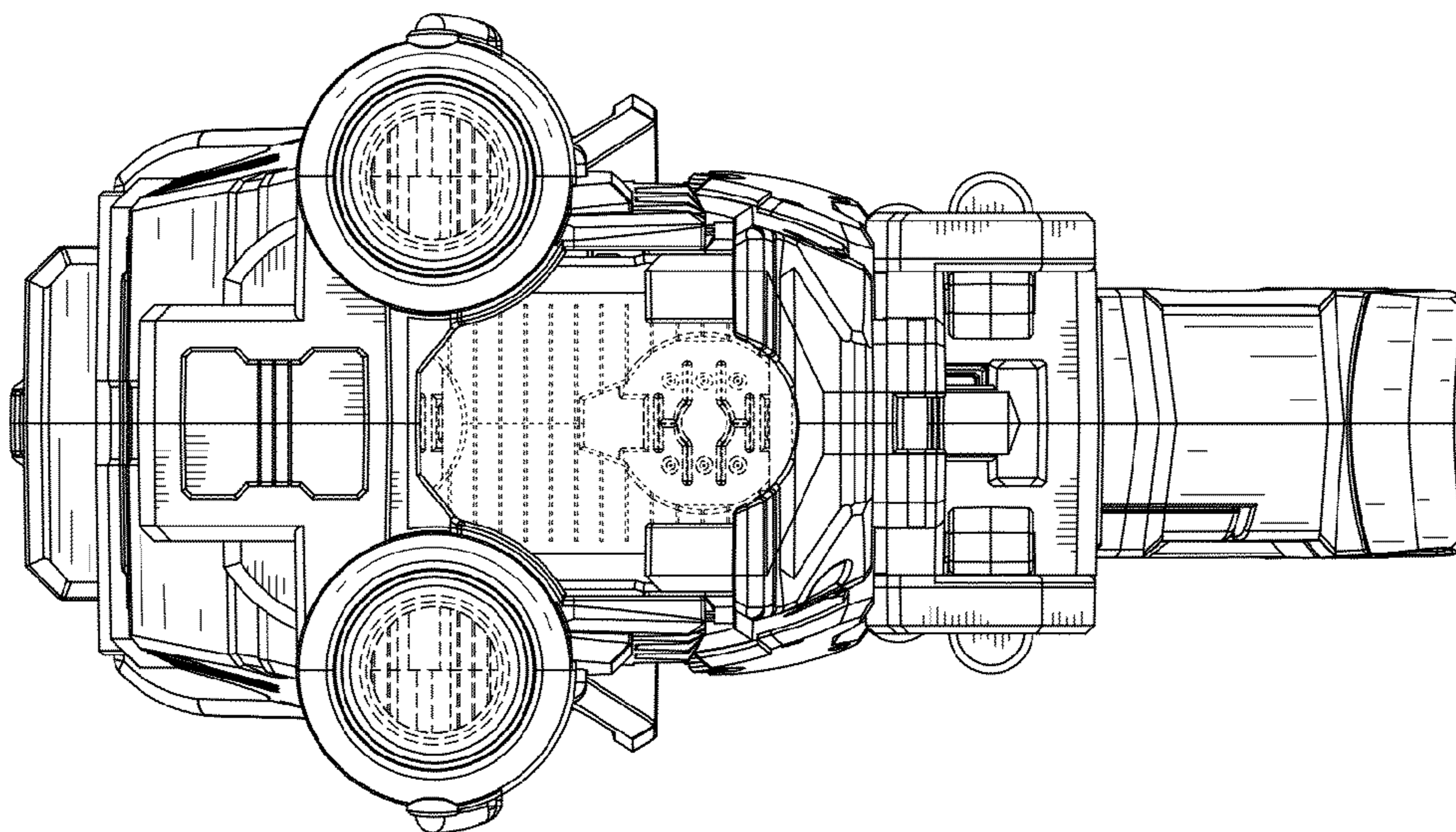


FIG. 4

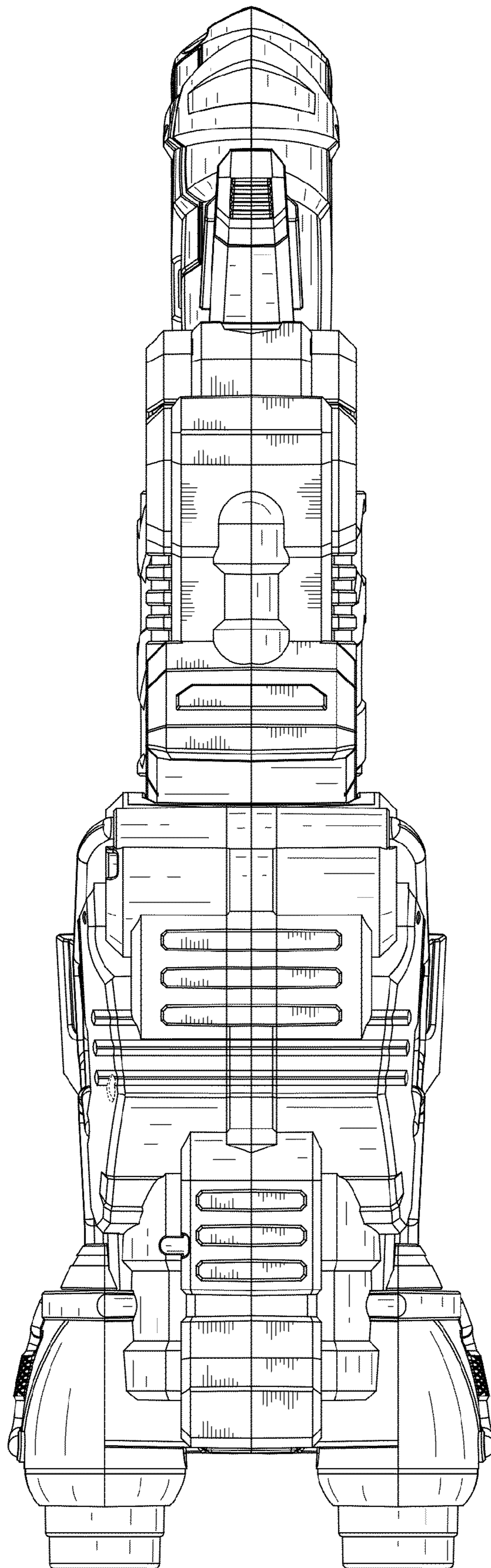


FIG. 5

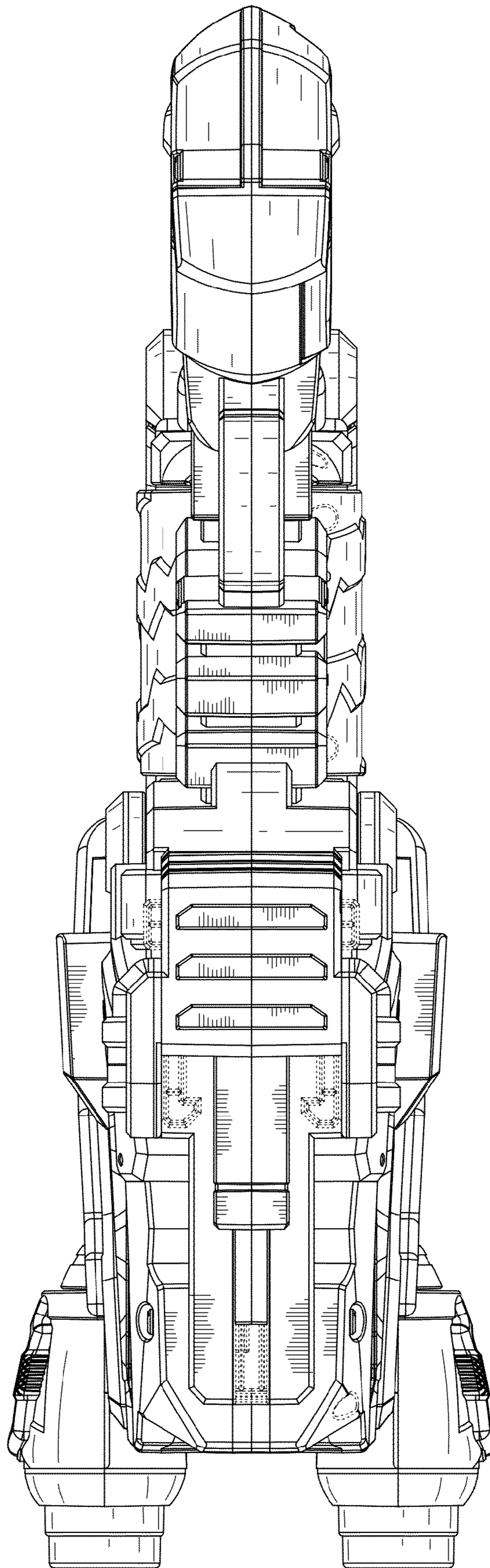


FIG. 6



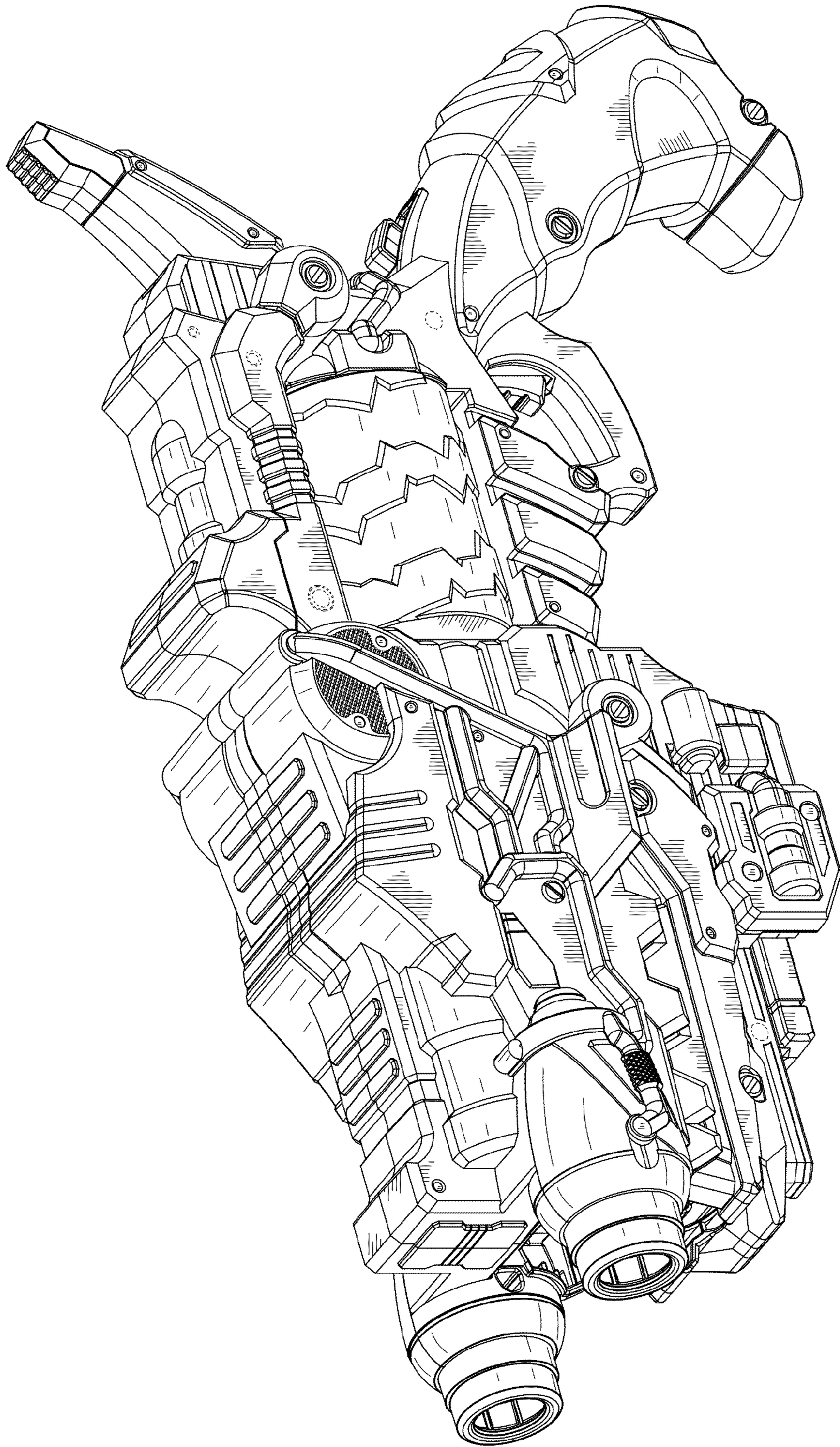


FIG. 7

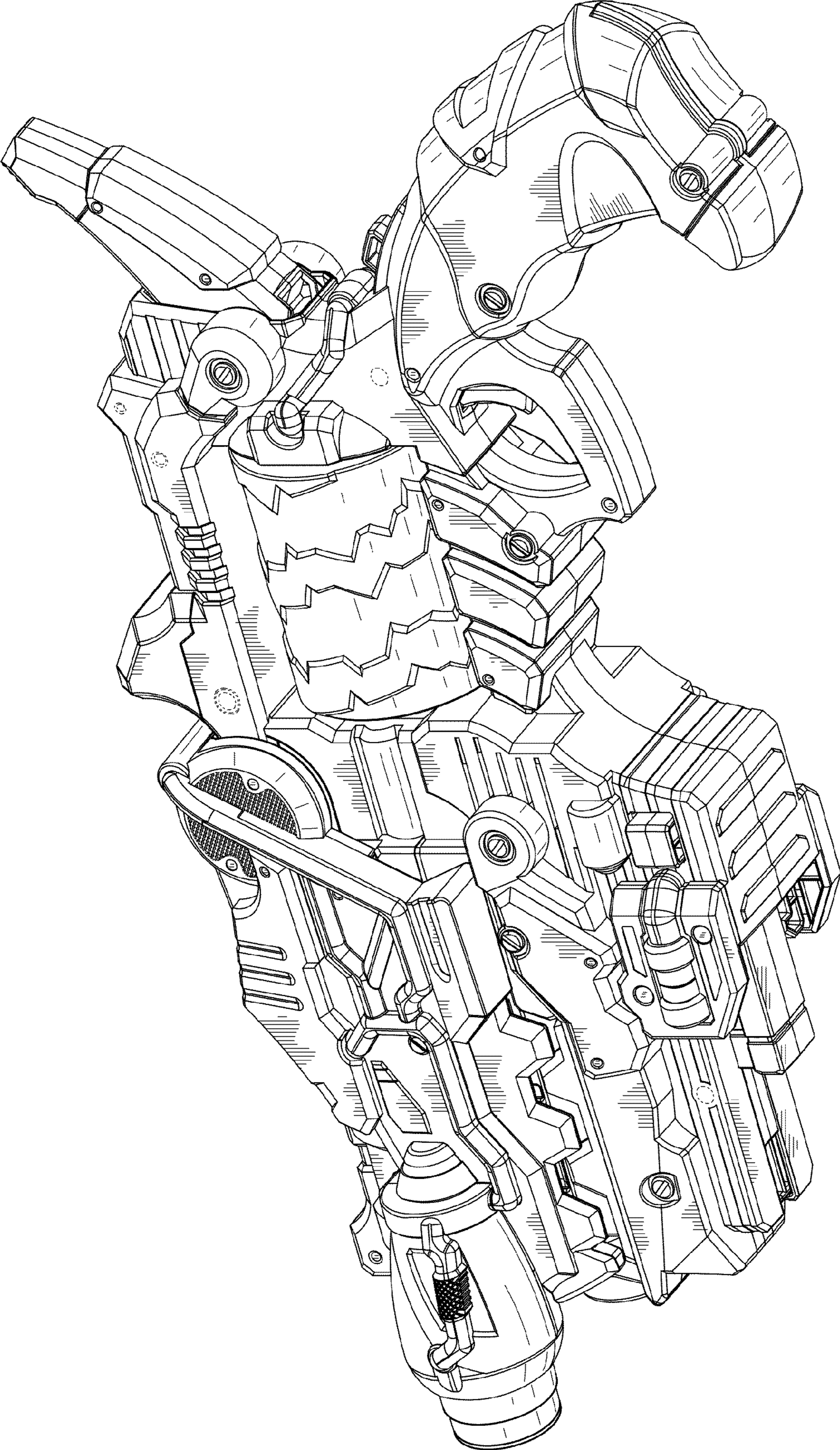


FIG. 8

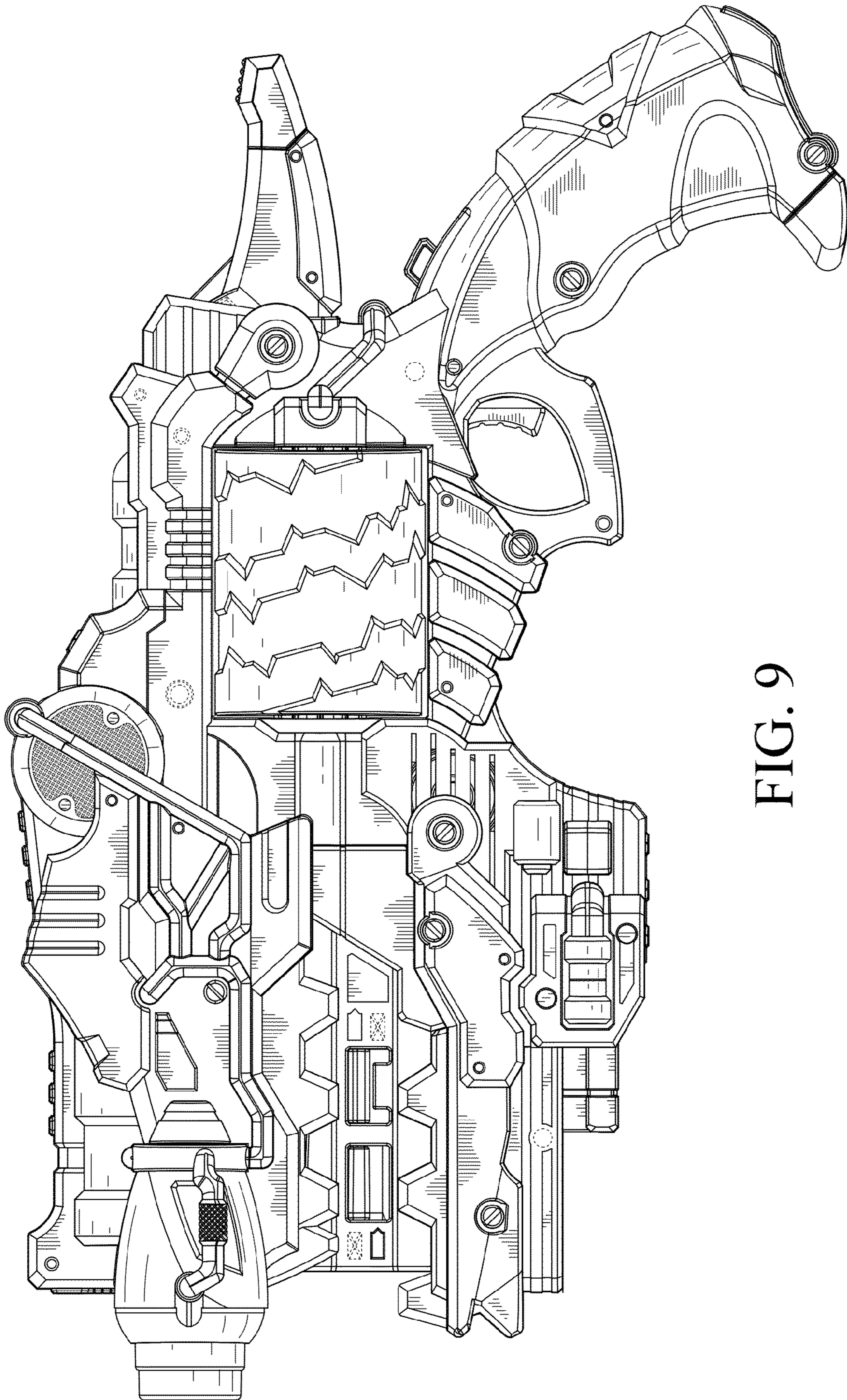


FIG. 9

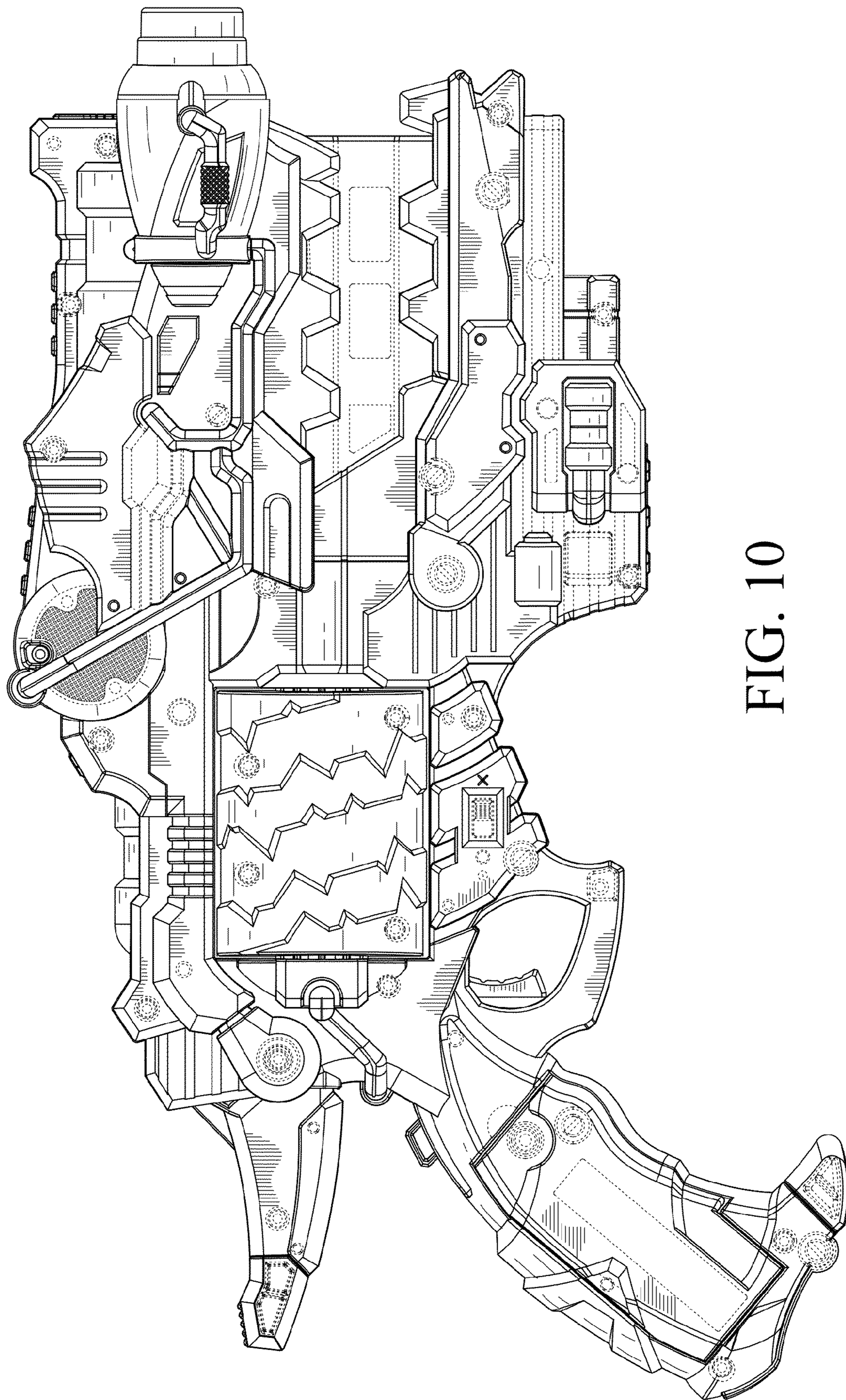


FIG. 10

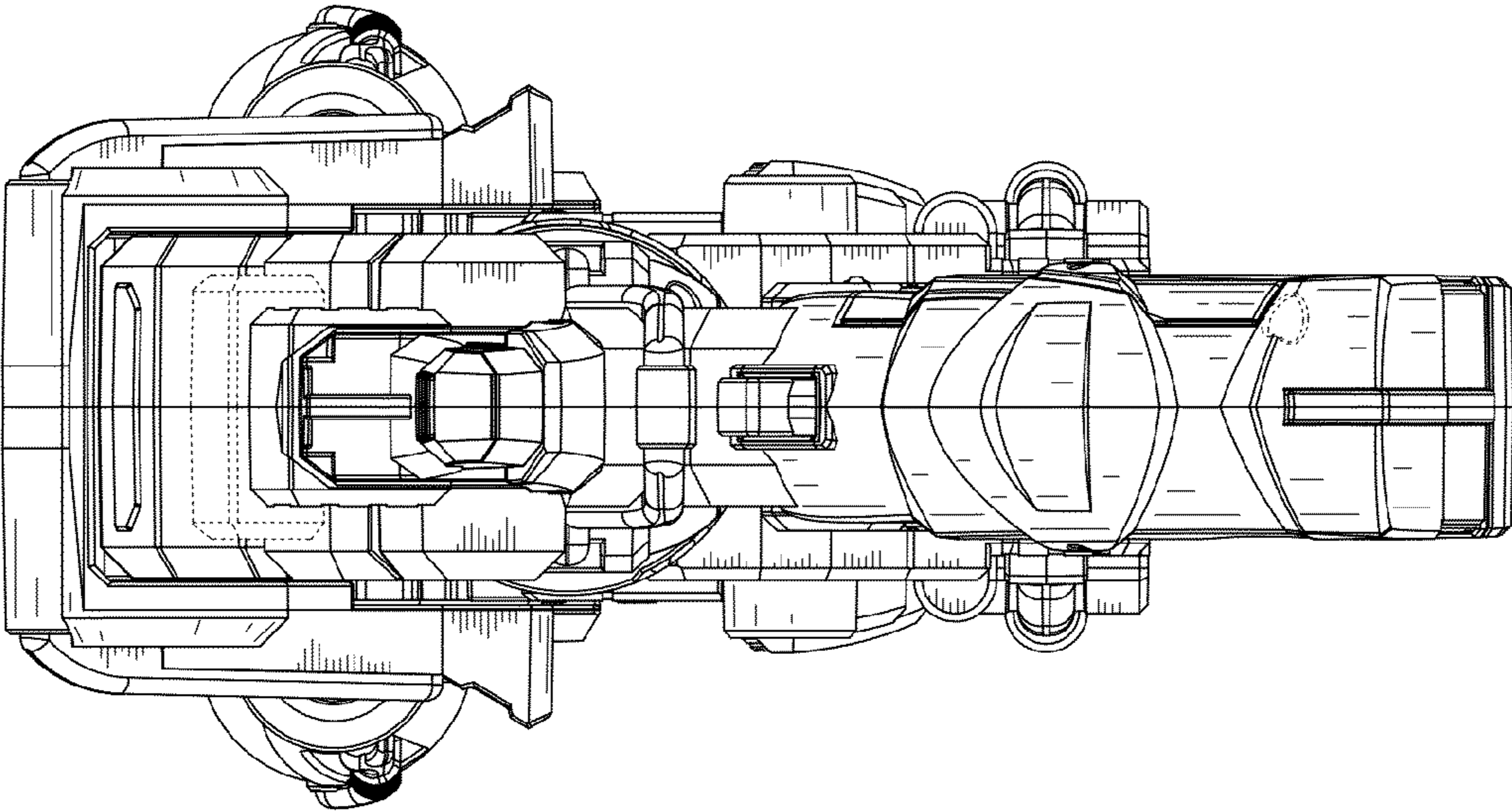


FIG. 11

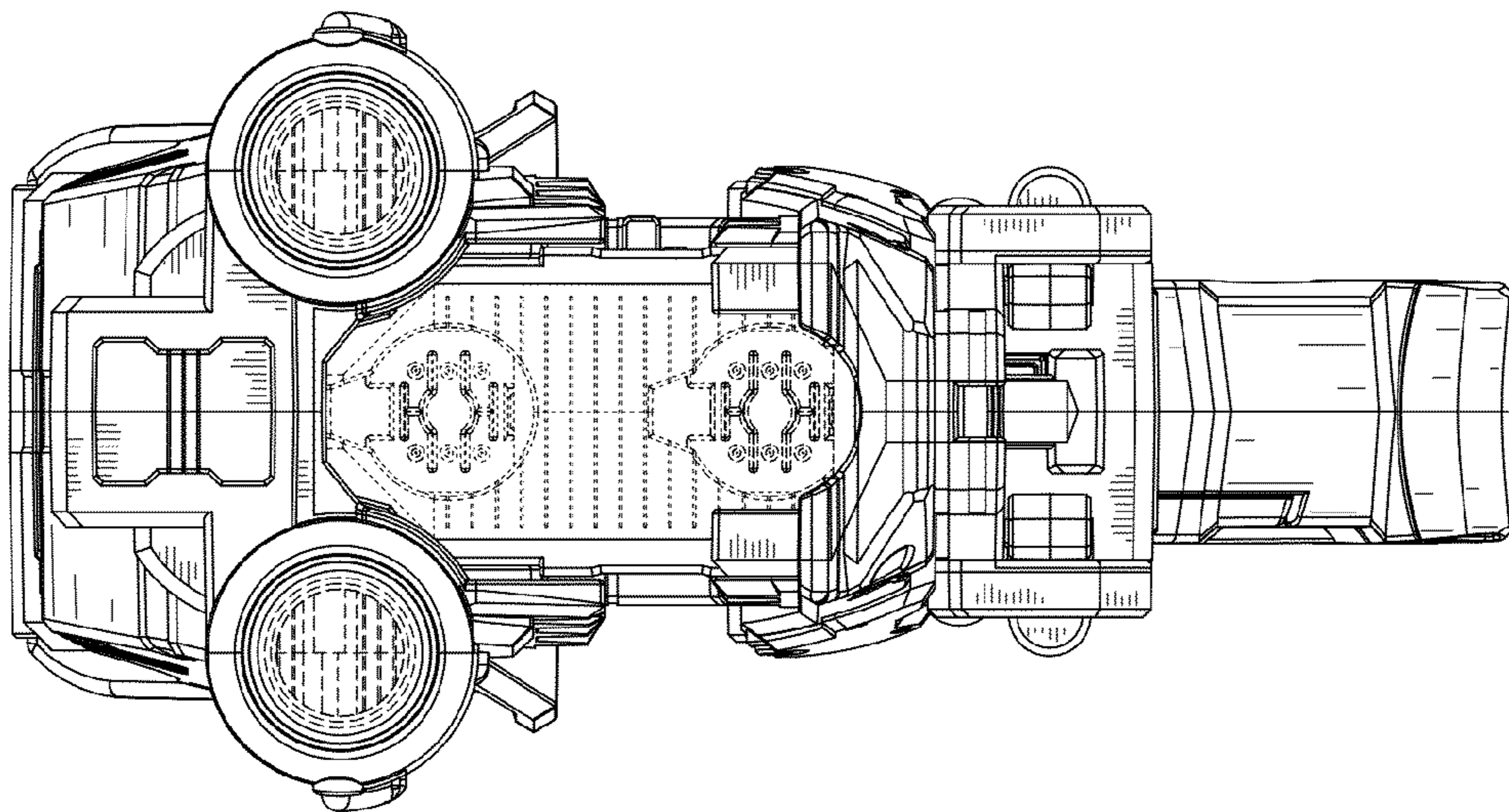


FIG. 12

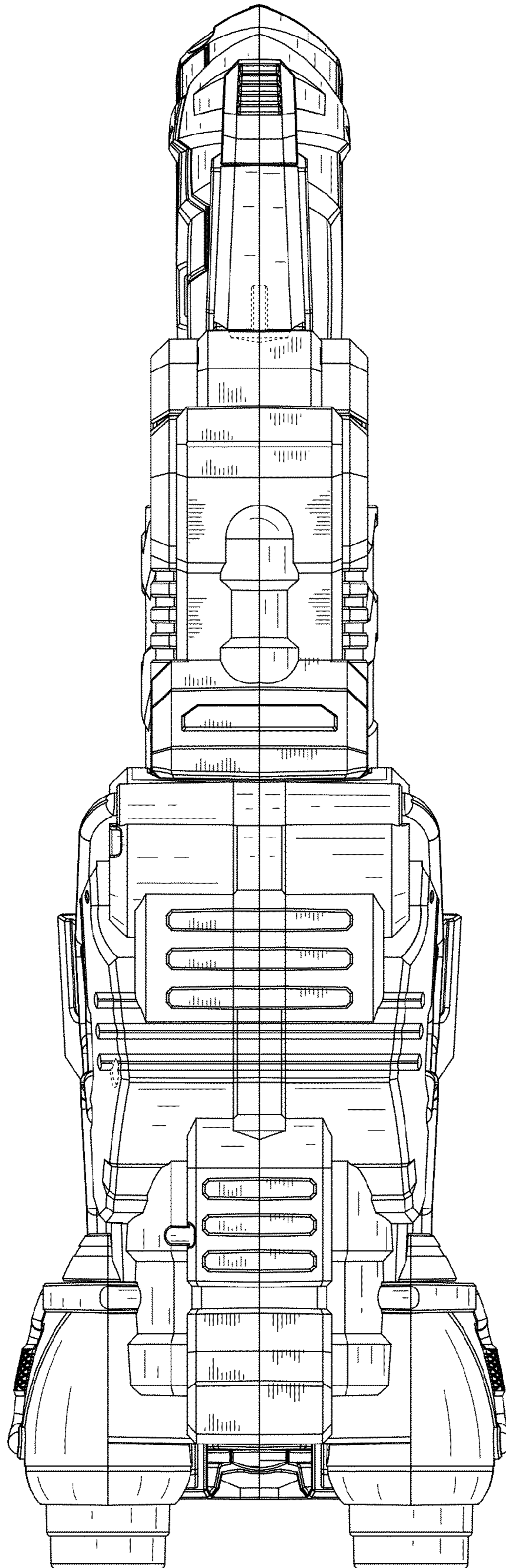


FIG. 13

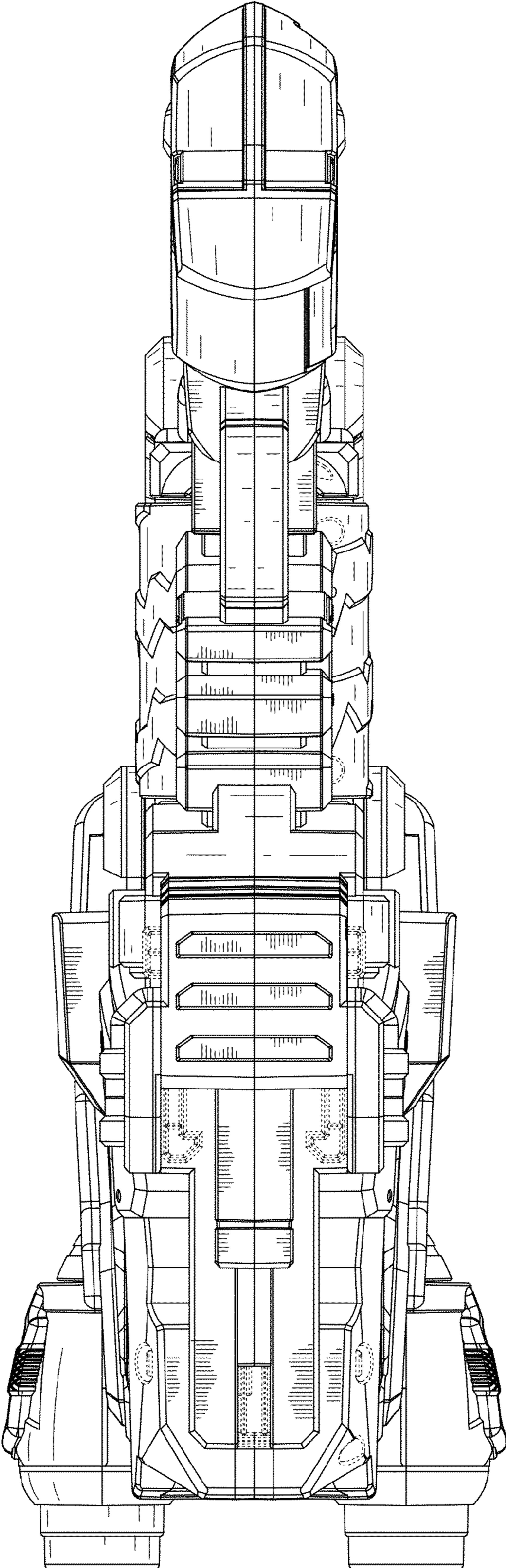


FIG. 14



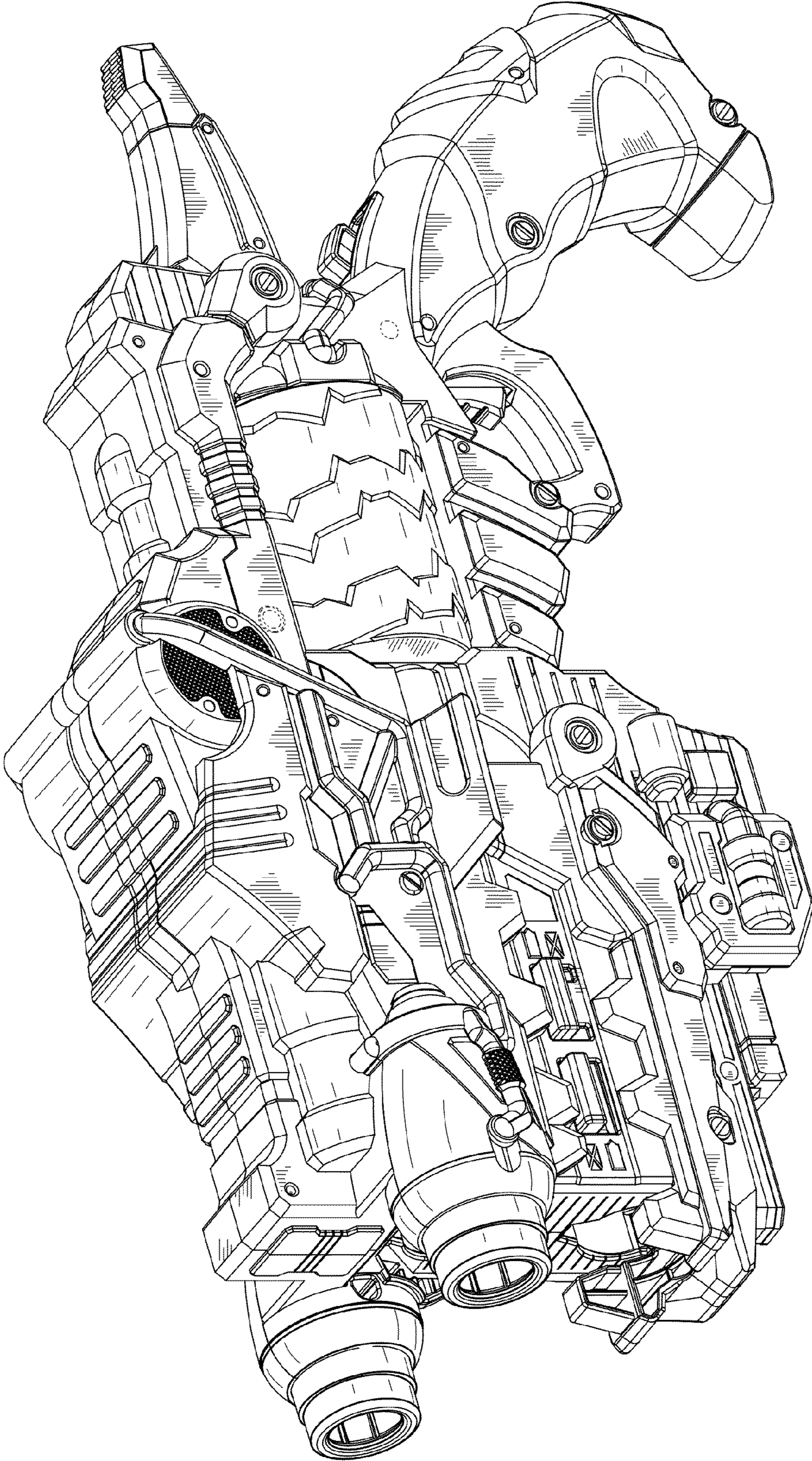


FIG. 15

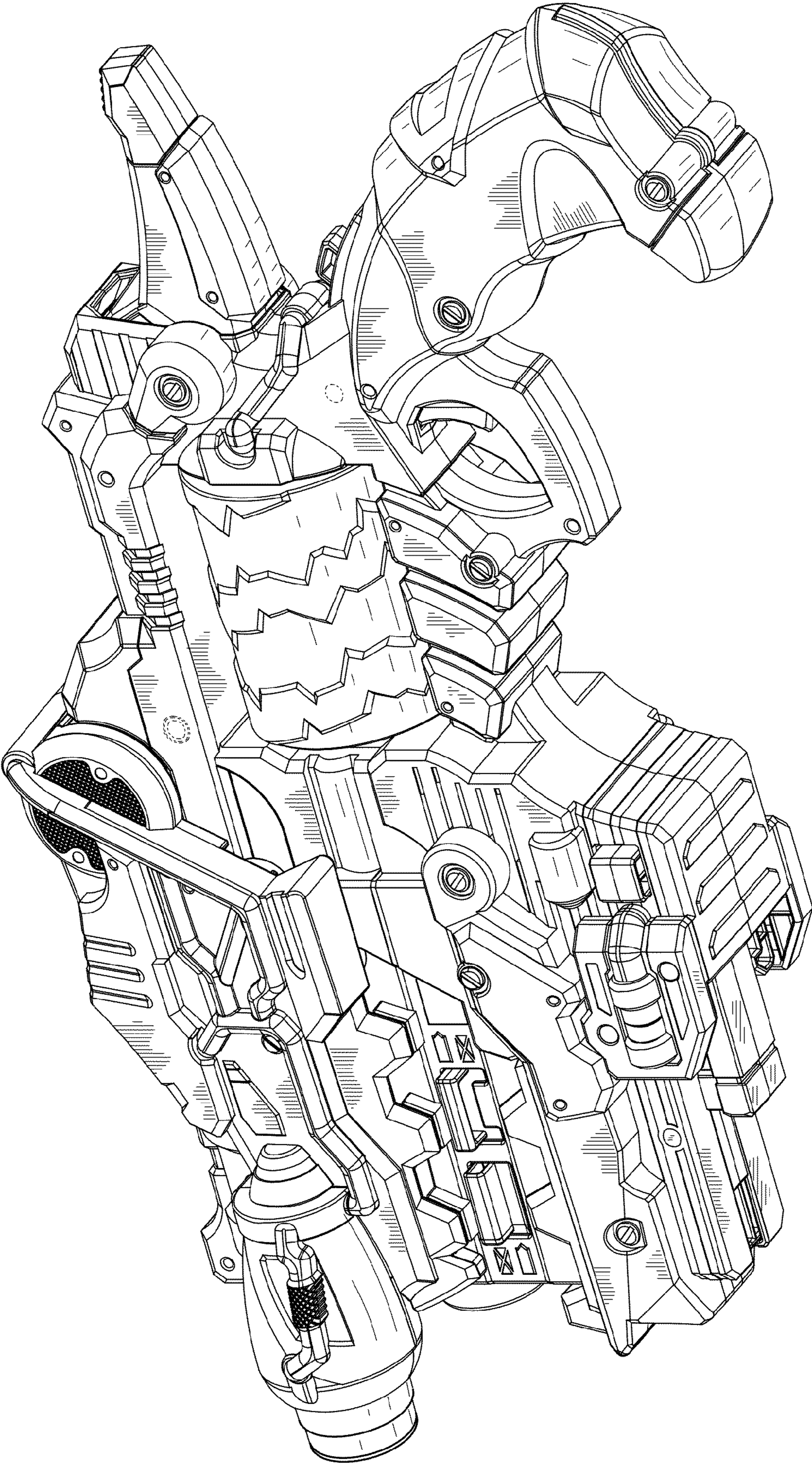


FIG. 16