



US00D757184S

(12) **United States Design Patent**
Balanchi

(10) **Patent No.:** **US D757,184 S**

(45) **Date of Patent:** **** May 24, 2016**

(54) **MAGNETIC CONNECTOR FOR TOYS**

(71) Applicant: **Steven H. Balanchi**, Glendale, CA (US)

(72) Inventor: **Steven H. Balanchi**, Glendale, CA (US)

(**) Term: **15 Years**

(21) Appl. No.: **29/505,165**

(22) Filed: **Jun. 25, 2015**

(51) **LOC (10) Cl.** **21-01**

(52) **U.S. Cl.**
USPC **D21/484**; D21/404

(58) **Field of Classification Search**

USPC D21/333, 373, 386, 389, 404, 468, 470,
D21/471, 475, 484-505; 446/69, 85,
446/102-128; 434/167, 208, 259, 403;
273/153, 156, 160; D13/183; D19/90
CPC A63H 33/00; A63H 33/04; A63H 33/046;
A63H 33/06; A63H 33/062; A63H 33/08;
A63H 33/084; A63H 33/088; A63H 33/108;
A63H 33/12; A63F 9/12; A63F 9/1224
See application file for complete search history.

(56) **References Cited**

U.S. PATENT DOCUMENTS

3,196,579 A * 7/1965 Lepper A63H 33/046
446/92
3,706,158 A * 12/1972 Jensen A63H 33/26
446/92
D285,584 S * 9/1986 Kassai D21/489

6,671,986 B2 * 1/2004 Reeves A44C 3/001
40/1.6
D731,991 S * 6/2015 Berdud-Teruel D13/183
D739,222 S * 9/2015 Chadbourne D8/394
2014/0213139 A1 * 7/2014 Ferguson A63H 33/046
446/92
2014/0302741 A1 * 10/2014 Whittaker A63H 33/046
446/92

* cited by examiner

Primary Examiner — Cynthia M Chin

(74) *Attorney, Agent, or Firm* — Law Offices of Frederick
Goth; Frederick Gotha

(57) **CLAIM**

The ornamental design for a magnetic connector for toys, as
shown and described.

DESCRIPTION

FIG. 1 is a perspective view of a magnetic connector for toys
illustrating my design;
FIG. 2 is a bottom perspective view of FIG. 1;
FIG. 3 is a top view of FIG. 1;
FIG. 4 is a front view of FIG. 1 and the rear view is a mirror
image thereof;
FIG. 5 is a bottom view of FIG. 1;
FIG. 6 is a right side elevational view of FIG. 4 and the left
side elevational view is a mirror image thereof; and,
FIG. 7 is the perspective view of FIG. 1 illustrated in magnetic
coupling with a magnetic connector for toys in broken lines.
The broken lines in FIG. 7 represents an exemplary environ-
ment in which the article resides and forms no part of the
claimed design.

1 Claim, 3 Drawing Sheets

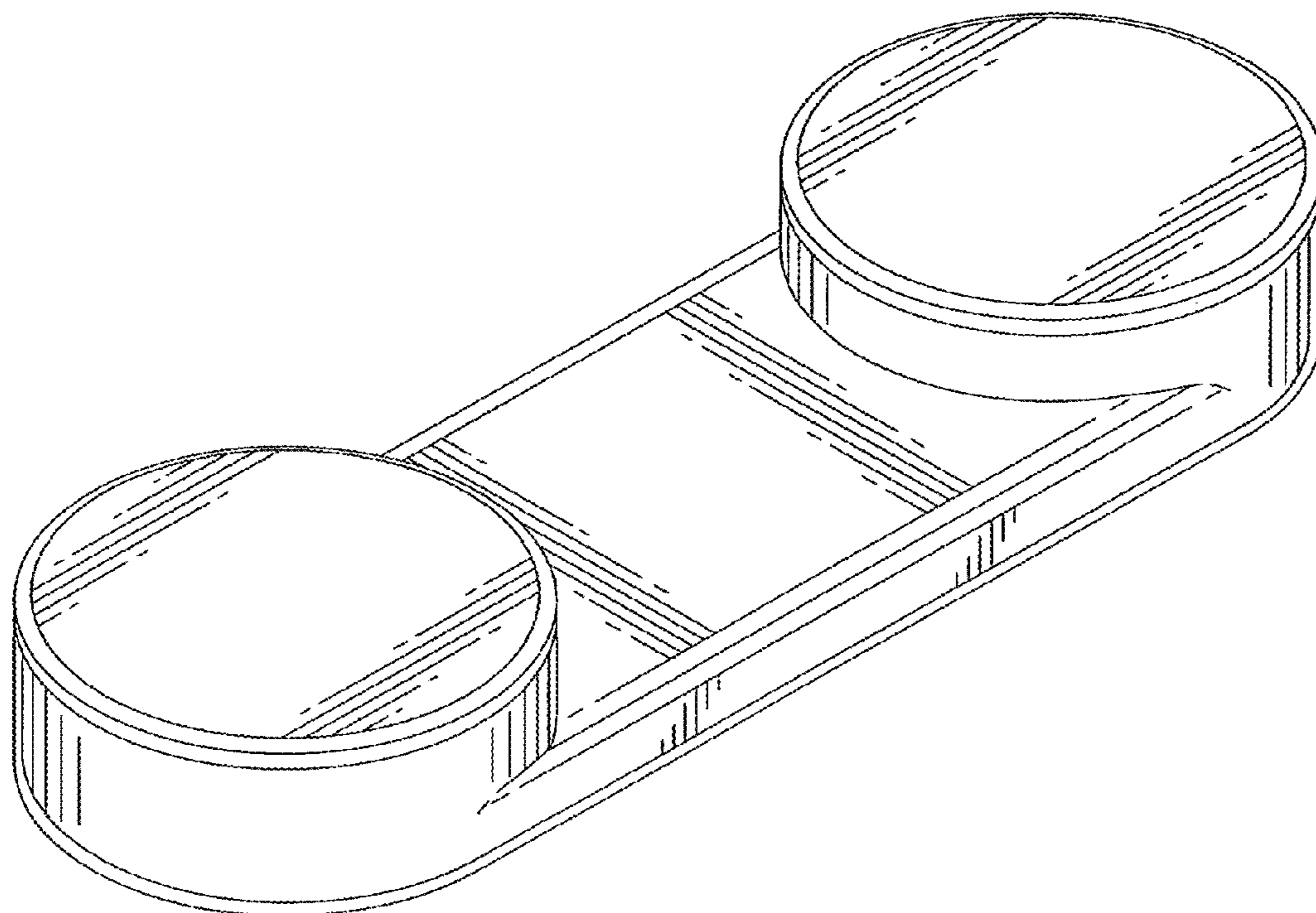


FIG. 1

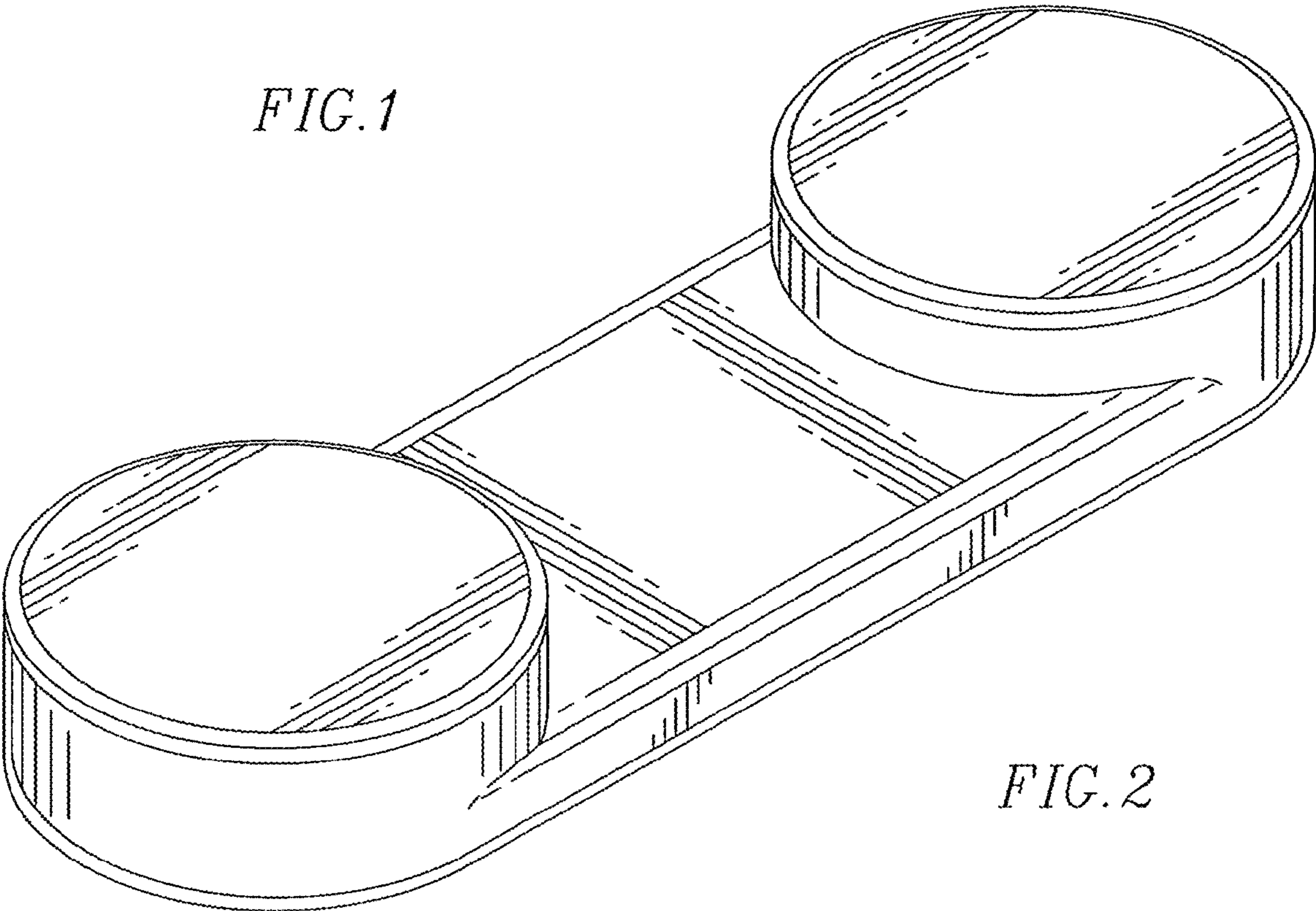


FIG. 2

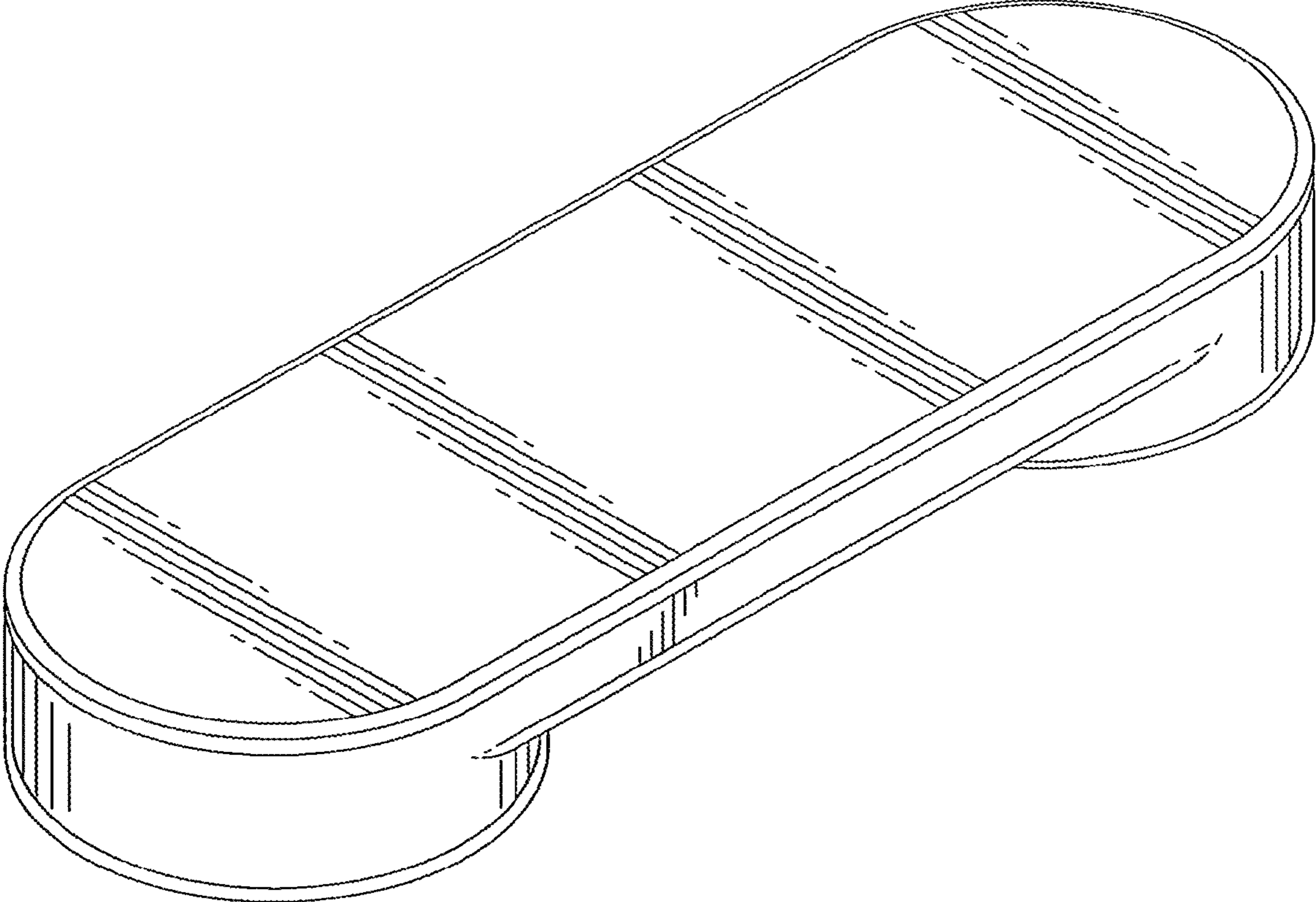


FIG. 3

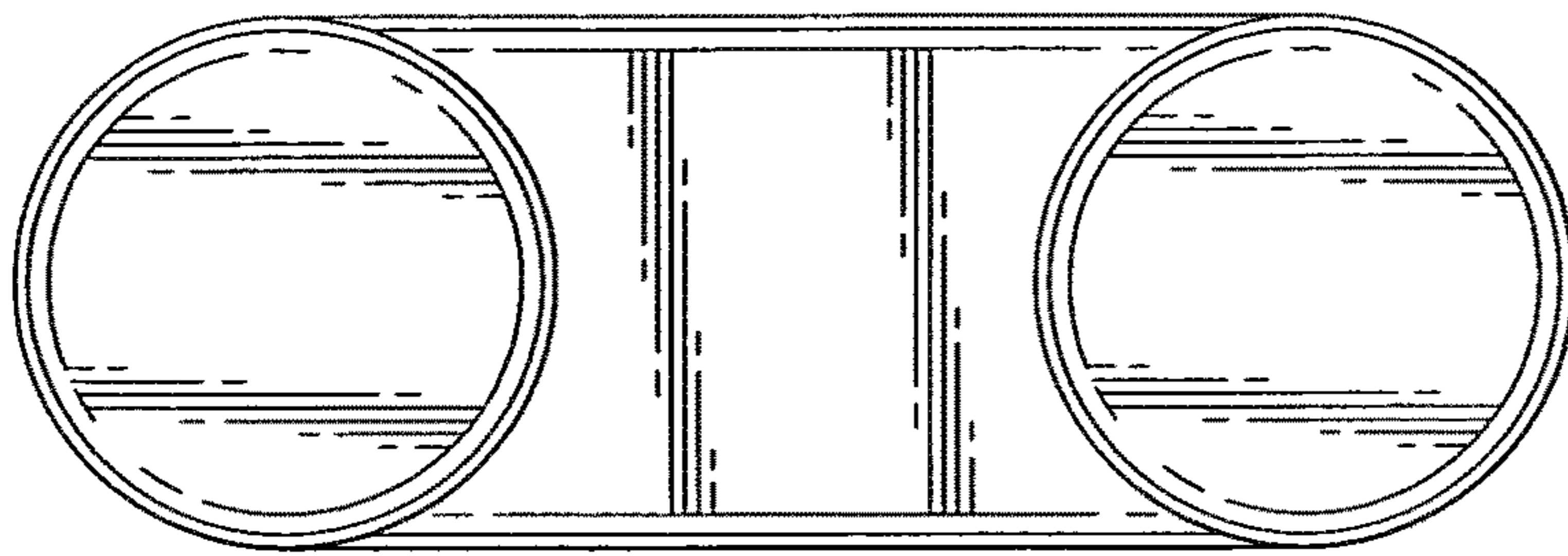


FIG. 4

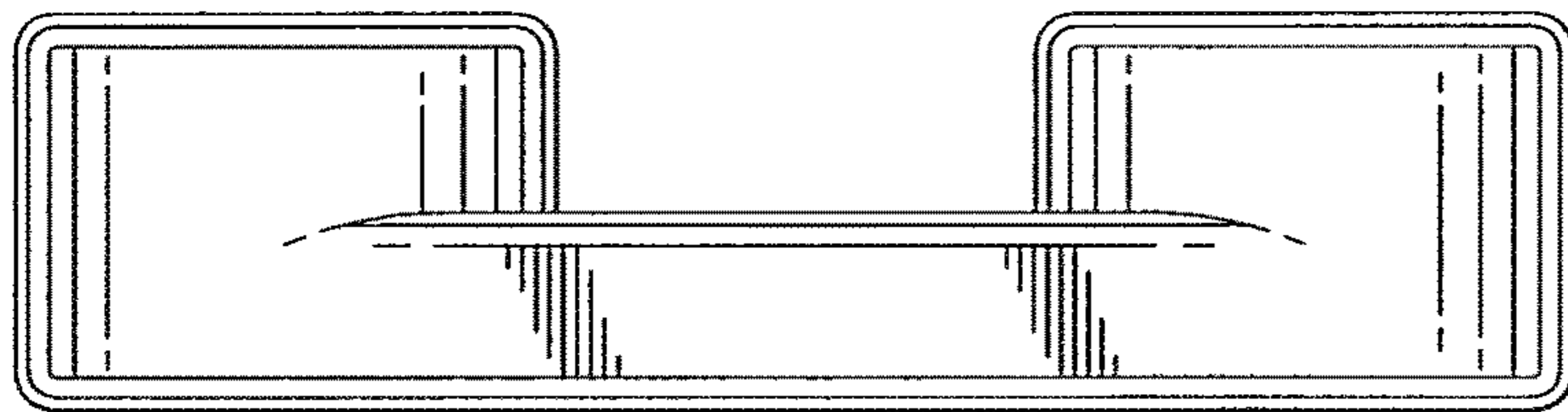


FIG. 6

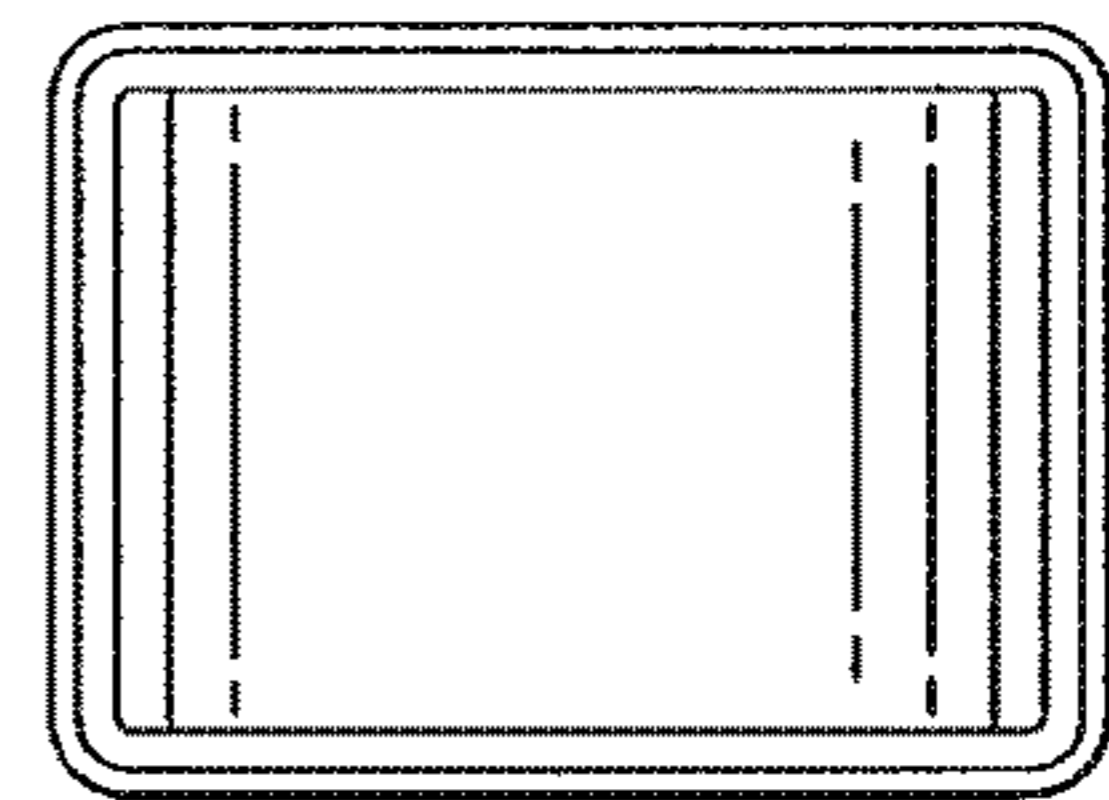


FIG. 5

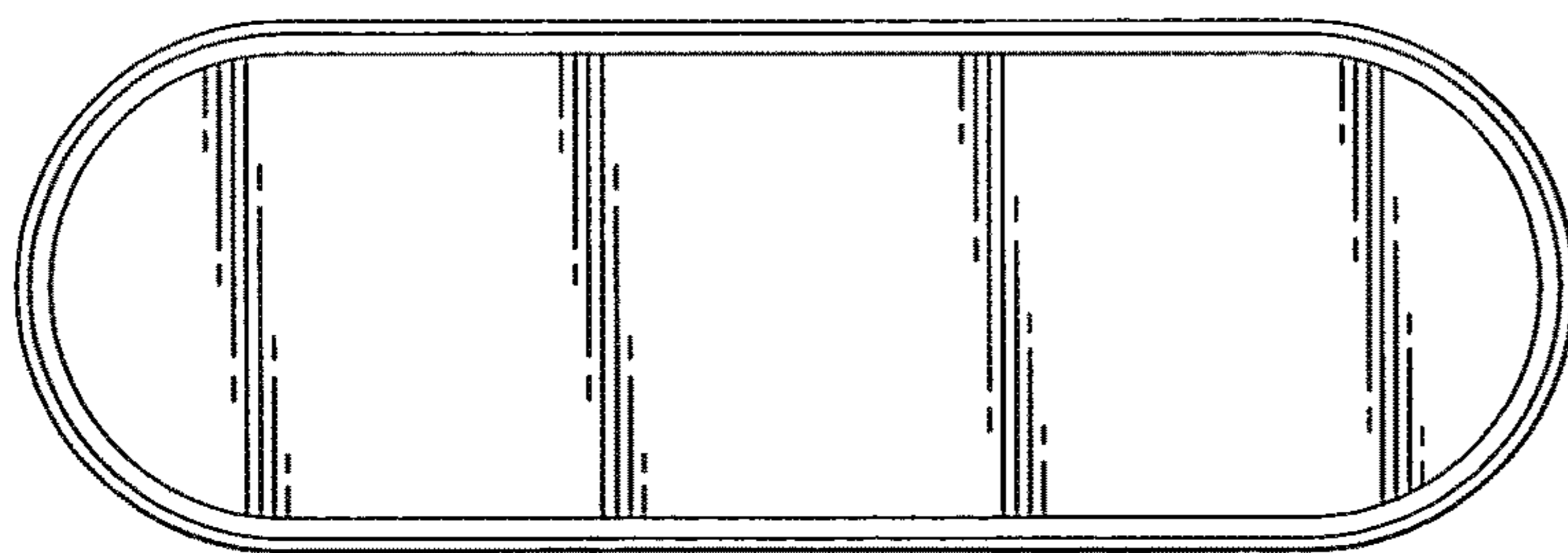


FIG. 7

