

US00D757178S

(12) **United States Design Patent**
Tais Zamir

(10) **Patent No.:** **US D757,178 S**
(45) **Date of Patent:** **** May 24, 2016**

(54) **WATER VENDING MACHINE**
(71) Applicant: **Itai Tais Zamir**, Tel Aviv (IL)
(72) Inventor: **Itai Tais Zamir**, Tel Aviv (IL)
(**) Term: **15 Years**

D202,688 S * 11/1965 Cornelius D7/311
6,247,611 B1 * 6/2001 Clements G07F 11/04
221/154
D664,203 S * 7/2012 Genet D20/3
D665,555 S * 8/2012 Lee D99/28
D683,793 S * 6/2013 Rhinn D20/2
D698,391 S * 1/2014 d'Amore D20/1
D706,351 S * 6/2014 Egli D20/4

* cited by examiner

(21) Appl. No.: **29/542,829**

(22) Filed: **Oct. 19, 2015**

Primary Examiner — Mary Ann Calabrese

(51) **LOC (10) Cl.** **20-01**

(57) **CLAIM**

(52) **U.S. Cl.**
USPC **D20/1**

I claim the ornamental design for a water vending machine, as shown and described.

(58) **Field of Classification Search**
USPC D20/1-9; D99/28; D7/306-312
CPC G07F 11/00; G07F 11/02; G07F 11/04;
G07F 11/10; G07F 11/16; G07F 11/30;
G07F 11/38; G07F 11/62; G07F 9/102;
A47F 3/0434

DESCRIPTION

See application file for complete search history.

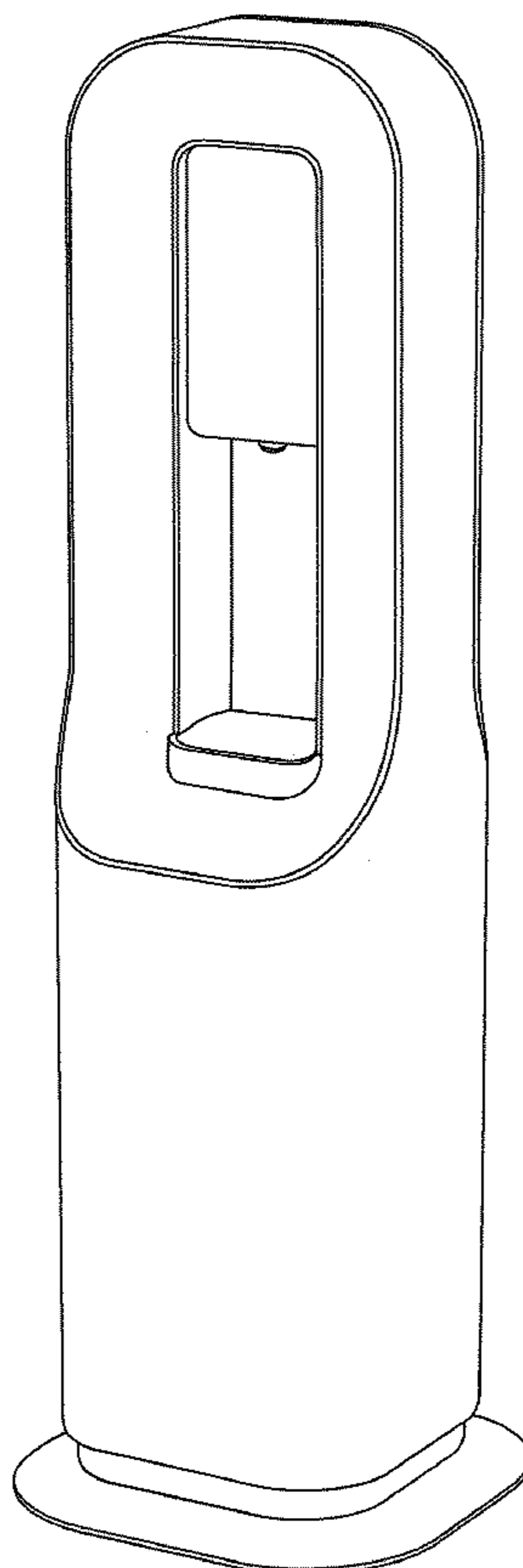
FIG. 1 is a front and right side perspective view of a water vending machine showing my new design;
FIG. 2 is a top, front and left side perspective view thereof;
FIG. 3 is a front elevational view thereof, the rear view being a mirror image thereof;
FIG. 4 is a side elevational view thereof, the opposite side being a mirror image thereof;
FIG. 5 is a top plan view thereof; and,
FIG. 6 is a bottom perspective view thereof.

(56) **References Cited**

U.S. PATENT DOCUMENTS

D83,112 S * 1/1931 Kurtz D20/1
D151,650 S * 11/1948 Naiden D20/5

1 Claim, 4 Drawing Sheets



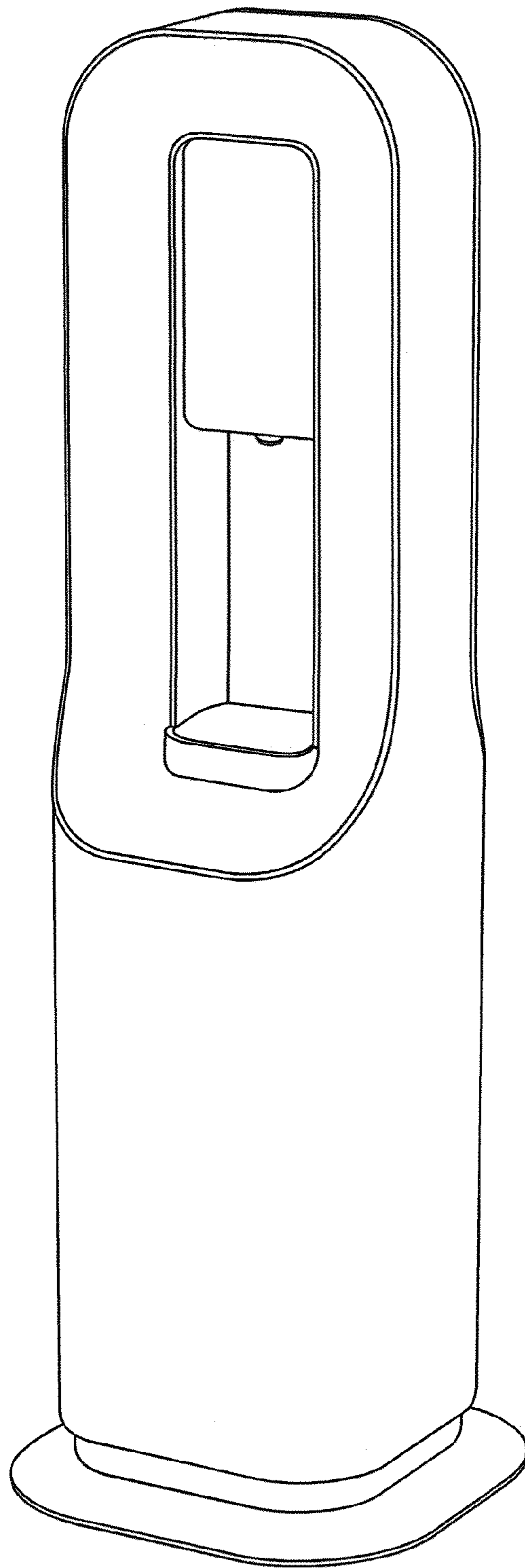


FIGURE 1

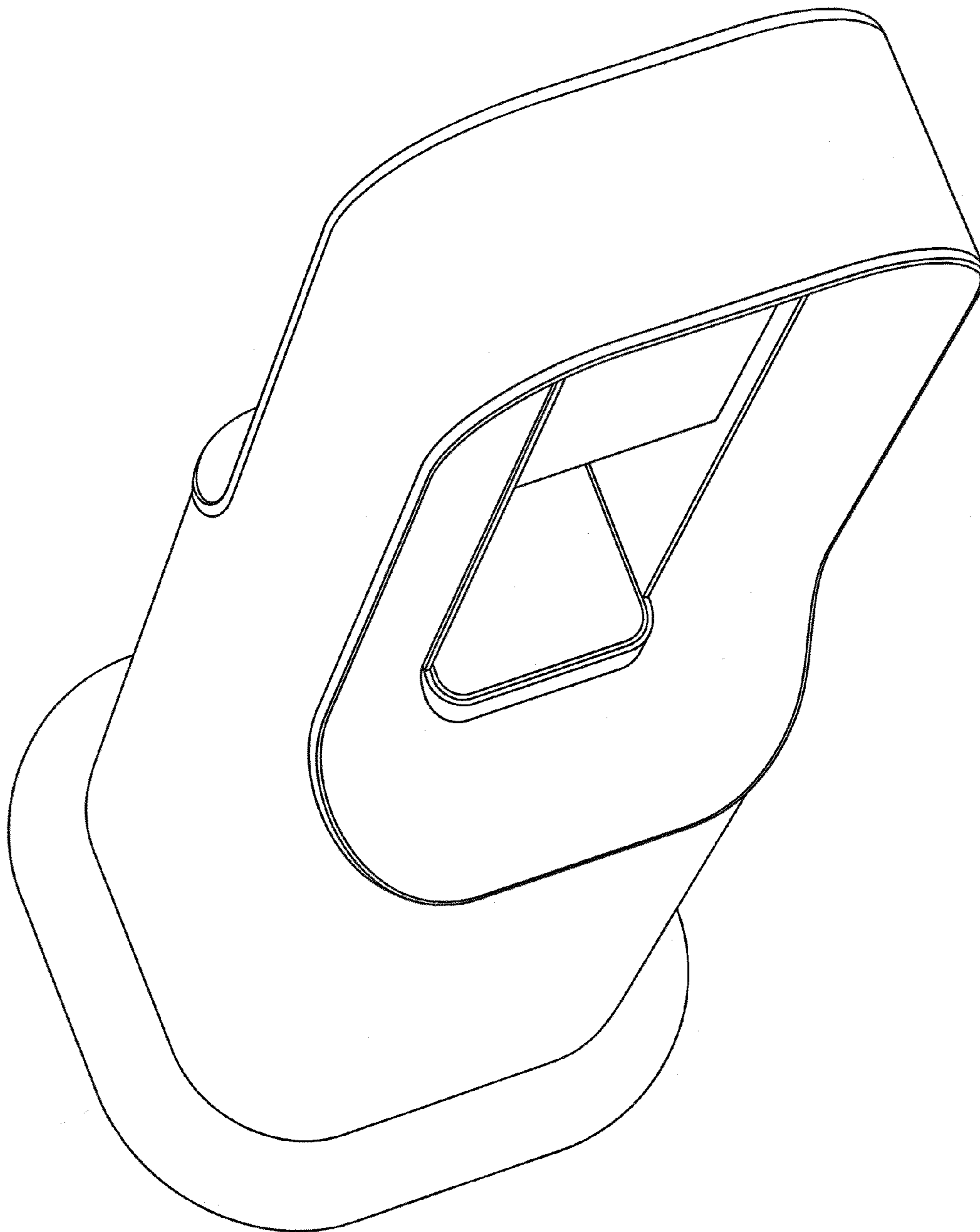


FIGURE 2

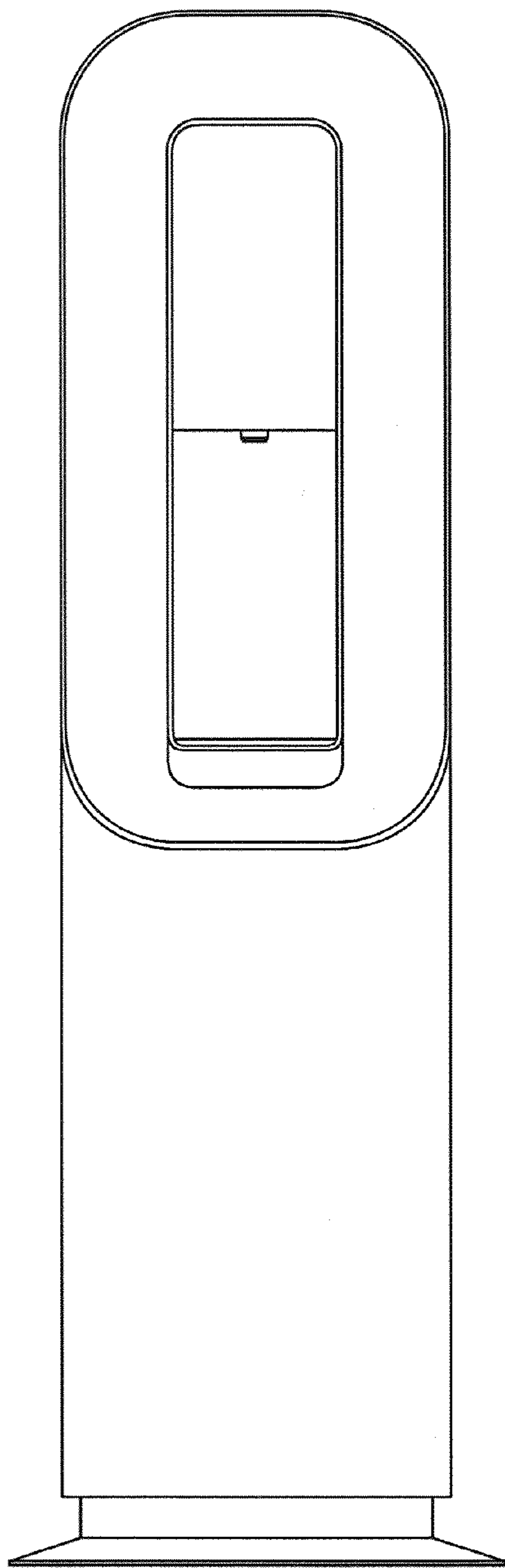


FIGURE 3

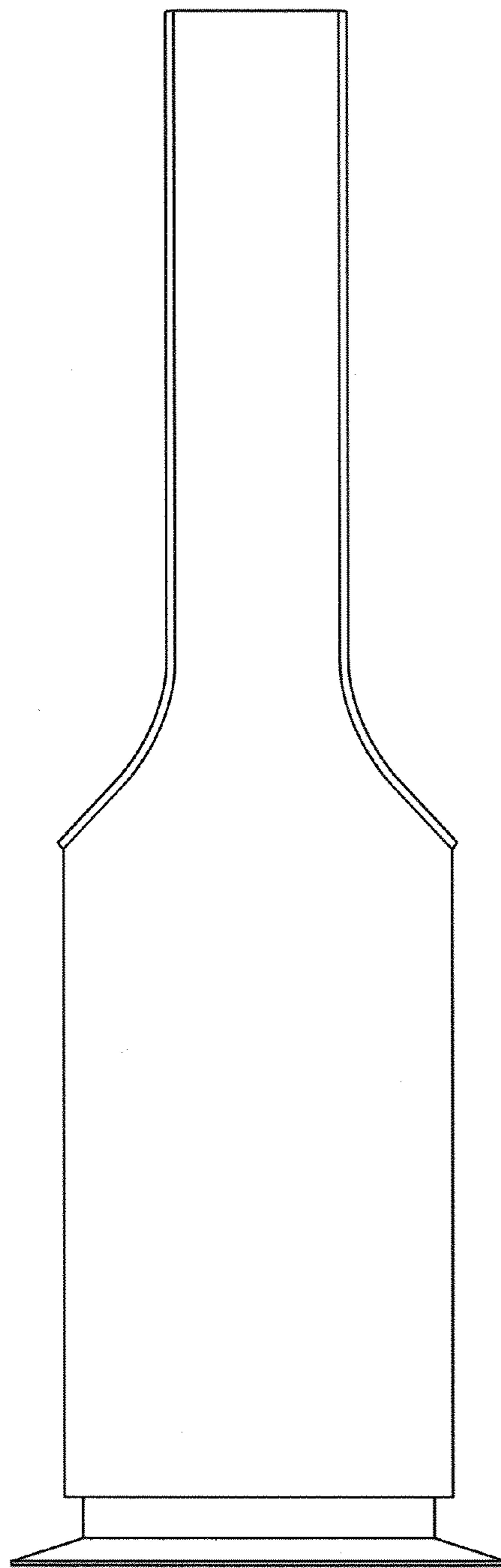


FIGURE 4

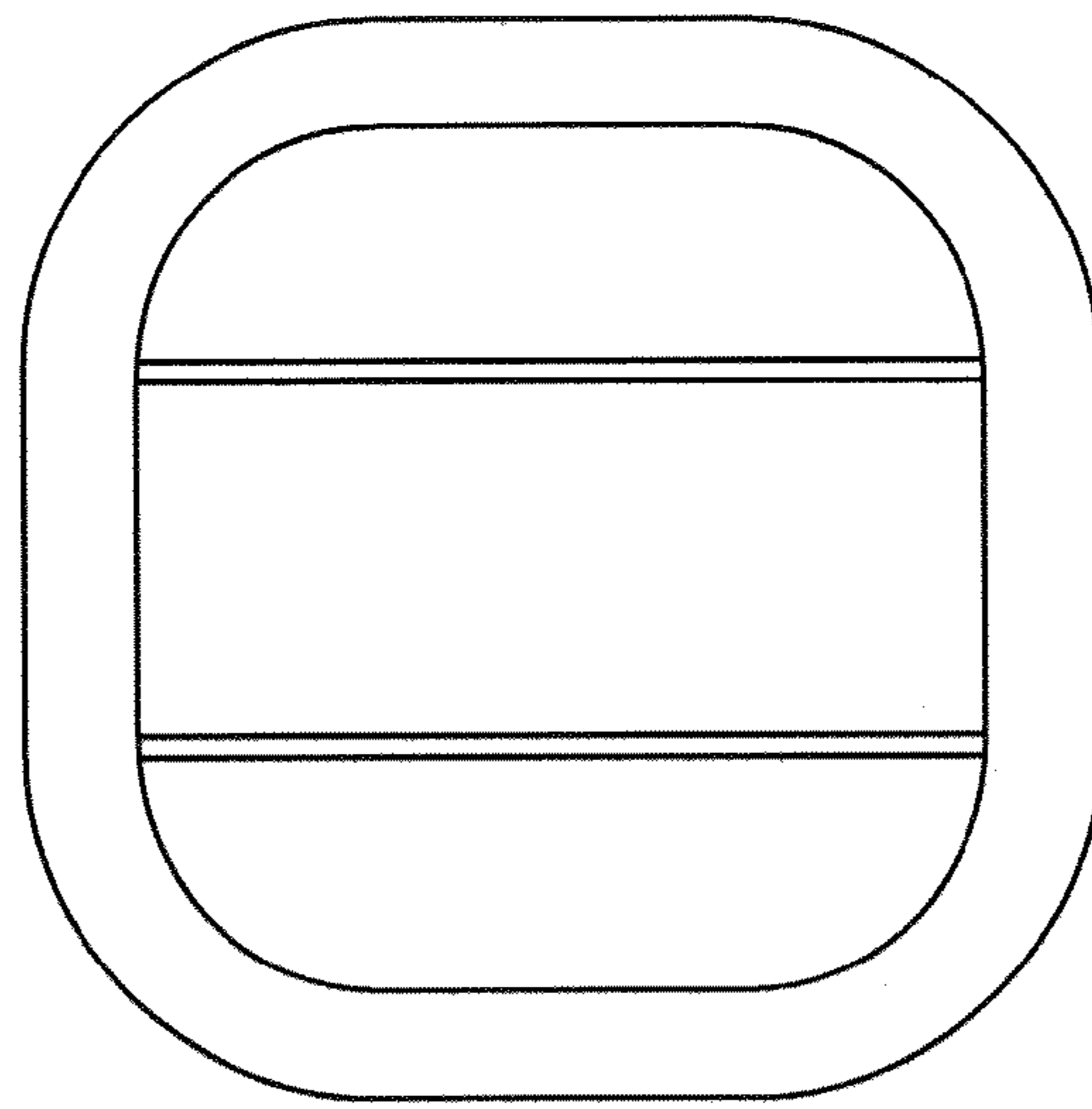


FIGURE 5

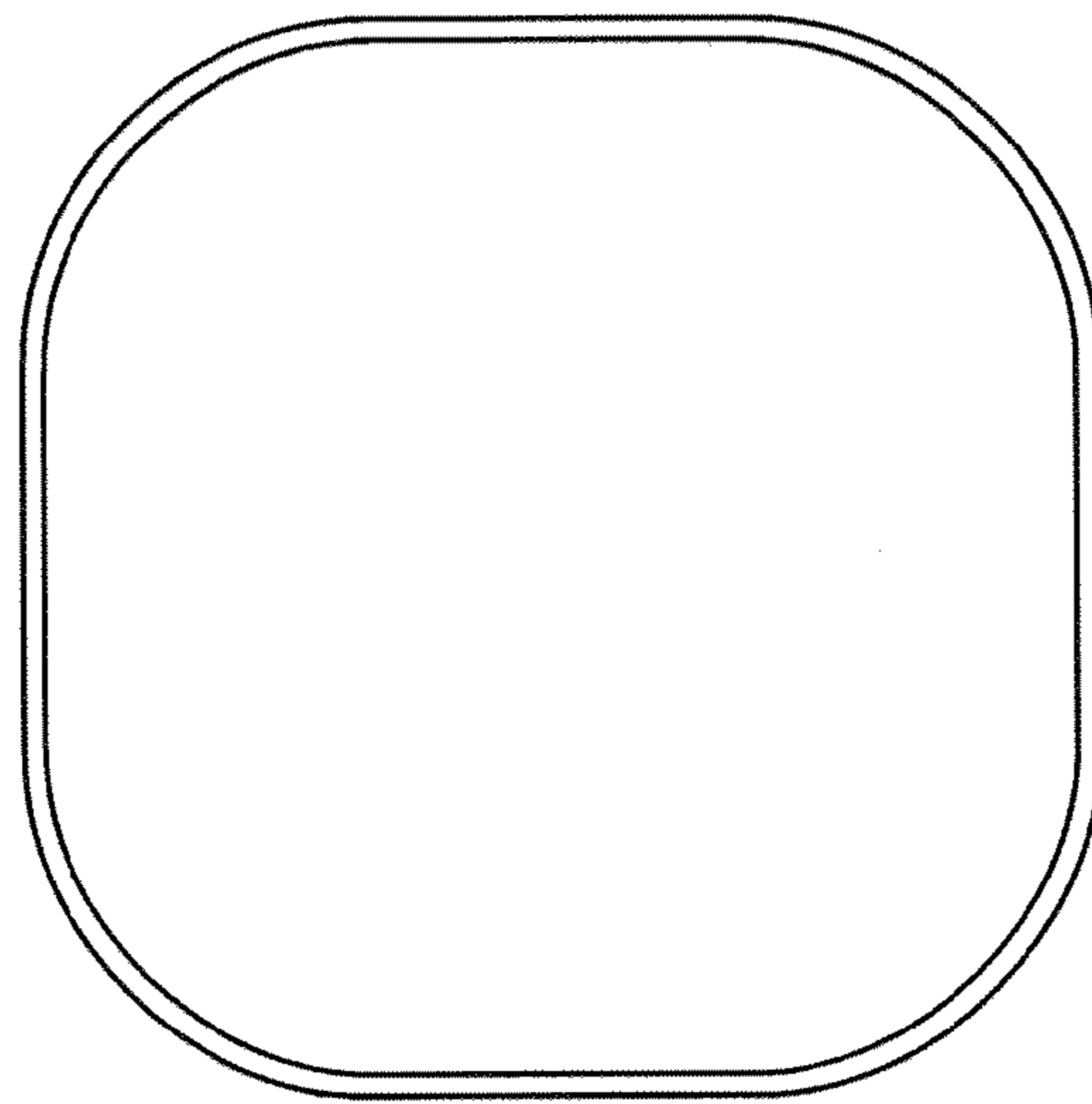


FIGURE 6