



US00D757177S

(12) **United States Design Patent**
Tsai

(10) **Patent No.:** **US D757,177 S**
(45) **Date of Patent:** **** May 24, 2016**

(54) **DESK ORGANIZER**

(71) Applicant: **PRETTY STAR STORE LLC**,
Rowland Heights, CA (US)

(72) Inventor: **Tsung-Yu Tsai**, Changhua (TW)

(73) Assignee: **PRETTY STAR STORE LLC**,
Rowland Heights, CA (US)

(**) Term: **14 Years**

(21) Appl. No.: **29/520,450**

(22) Filed: **Mar. 13, 2015**

(51) **LOC (10) Cl.** **19-02**

(52) **U.S. Cl.**
USPC **D19/92**

(58) **Field of Classification Search**
USPC D3/206, 266; D6/678.4, 705.6, 705.7;
D7/600.1; D19/75-92
CPC A47B 63/00; A47F 7/14; A47F 7/145;
B42F 7/00; B42F 7/02; B42F 7/10; B42F
17/02; B42F 17/08
See application file for complete search history.

(56) **References Cited**

U.S. PATENT DOCUMENTS

D196,980	S	*	11/1963	Christoffersen	215/6
3,114,459	A	*	12/1963	Kersting	A47B 81/067 211/181.1
3,244,288	A	*	4/1966	Schreter	A47K 5/02 211/181.1
3,314,549	A	*	4/1967	Goldreich	A47F 5/13 206/511
3,704,791	A	*	12/1972	Young, Jr.	A47B 87/0269 206/509
4,943,029	A	*	7/1990	Szuster	A47F 5/13 211/181.1

D436,461	S	*	1/2001	Walker	D6/671.1
D494,819	S	*	8/2004	Schwartzkopf	D7/601
D579,691	S	*	11/2008	Snider	D6/675.2
7,481,327	B2	*	1/2009	Cheng	B65D 7/16 206/509
D675,850	S	*	2/2013	Tawil	D6/705.6
D683,567	S	*	6/2013	Hsu	D6/675.2
D698,604	S	*	2/2014	Tsai	D6/705.6
D698,605	S	*	2/2014	Tsai	D6/705.6
D701,432	S	*	3/2014	Tsai	D7/600.4
D719,610	S	*	12/2014	Tsai	D19/90
D722,831	S	*	2/2015	Tuang	D7/600.1
D736,014	S	*	8/2015	Tsai	D6/675.2

* cited by examiner

Primary Examiner — Elizabeth Albert

(74) *Attorney, Agent, or Firm* — Muncy, Geissler, Olds & Lowe, P.C.

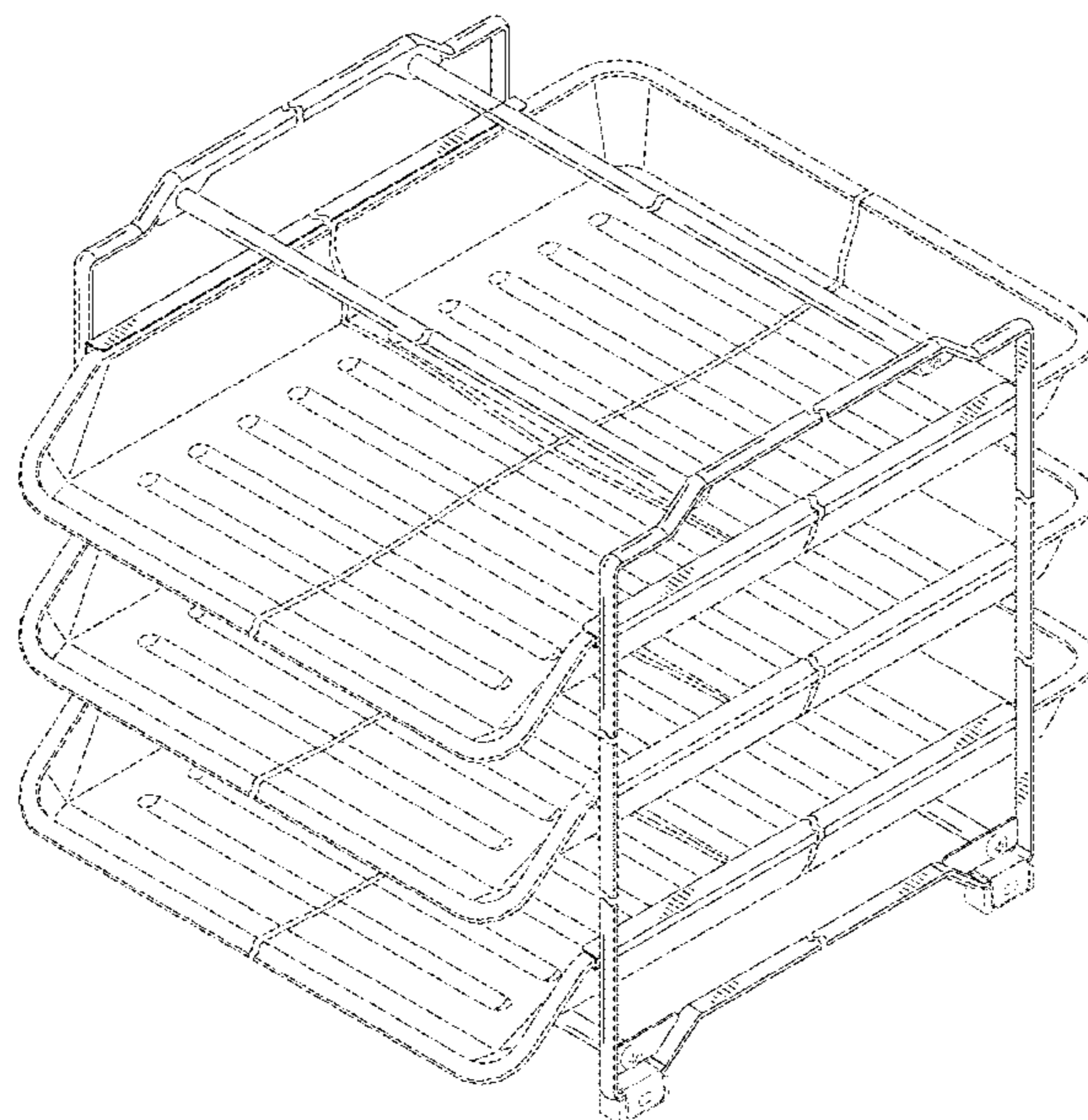
(57) **CLAIM**

The ornamental design for a desk organizer, as shown and described.

DESCRIPTION

FIG. 1 is a perspective view of the present design;
FIG. 2 is a front view of the present design;
FIG. 3 is a rear view of the present design;
FIG. 4 is a left side view of the present design;
FIG. 5 is a right side view of the present design;
FIG. 6 is a top view of the present design; and,
FIG. 7 is a bottom view of the present design.
The features in broken lines are included for the purpose of showing portions that form no part of the claimed design.
The broken away symbols in the drawings indicate the appearance of any portion of the article between the break lines forms no part of the claimed design.

1 Claim, 7 Drawing Sheets



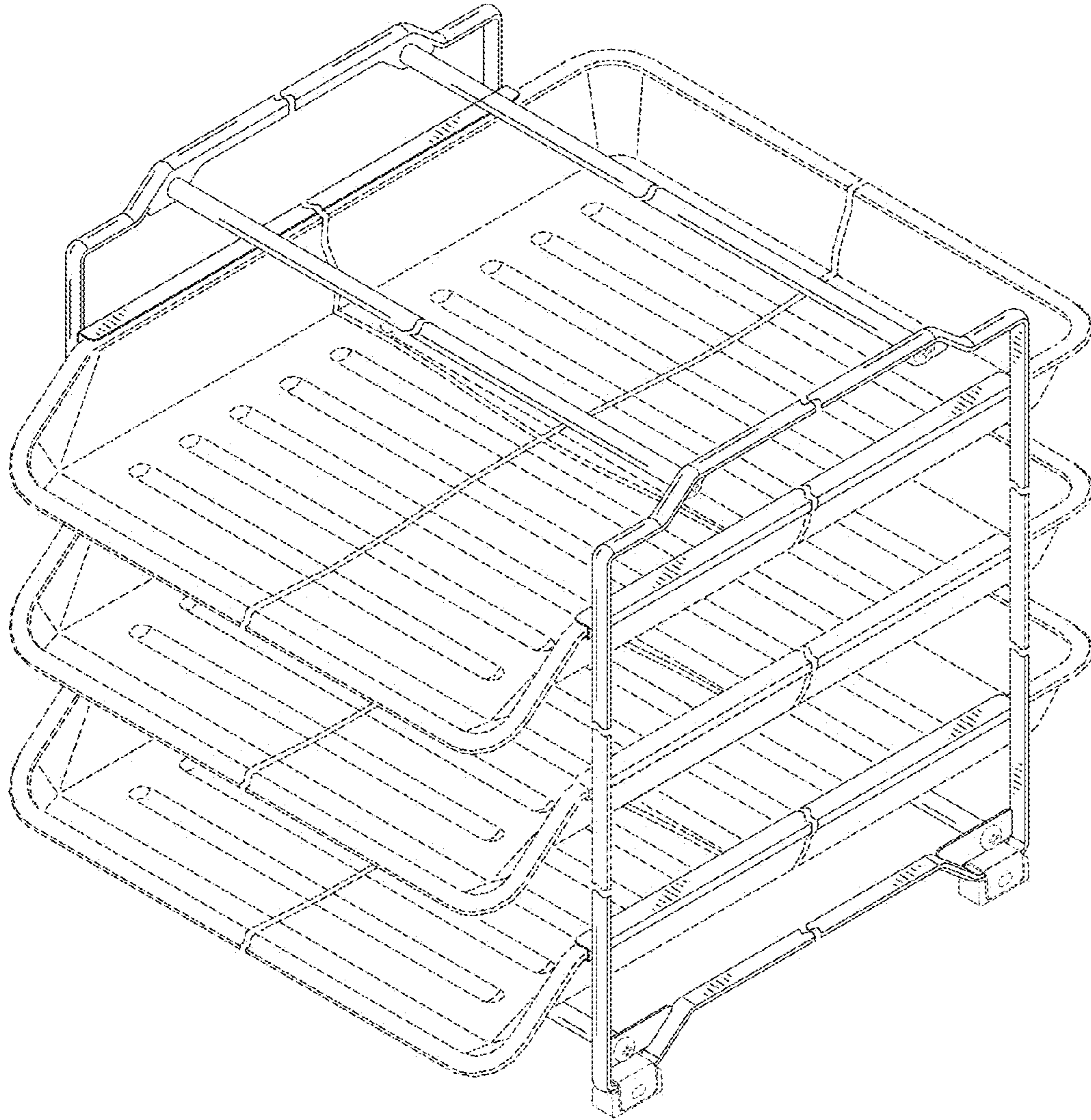


FIG. 1

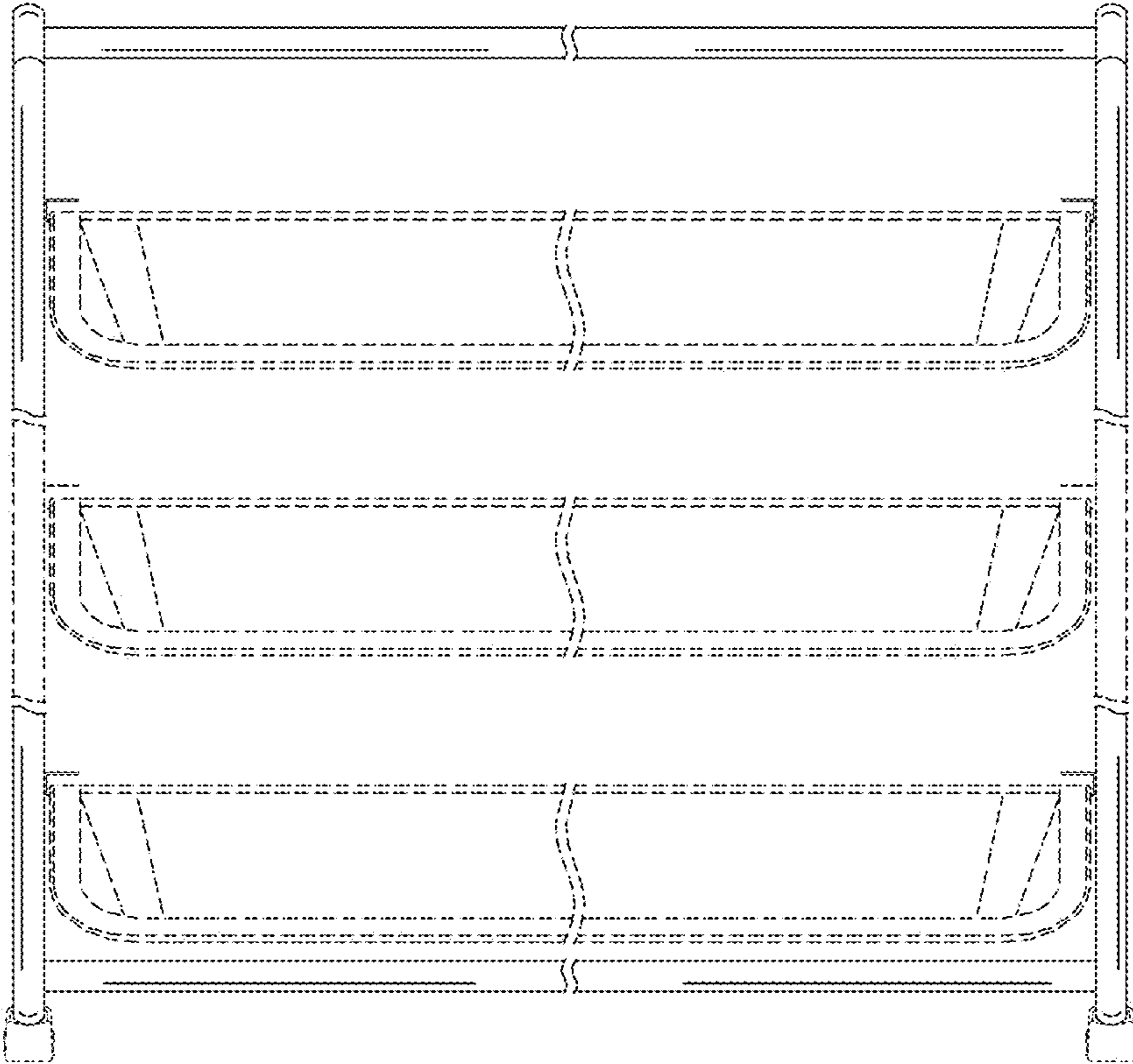


FIG. 2

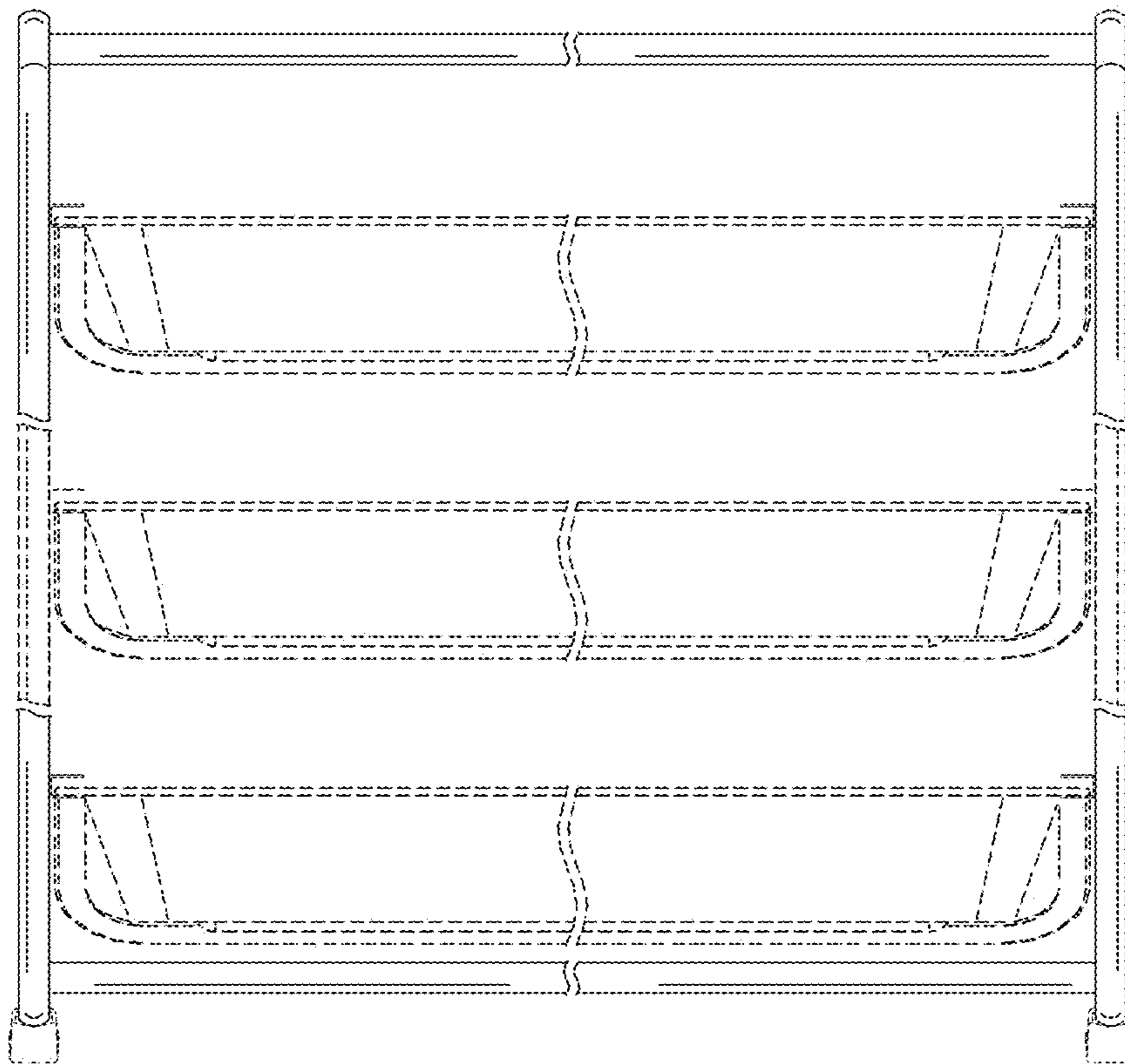


FIG. 3

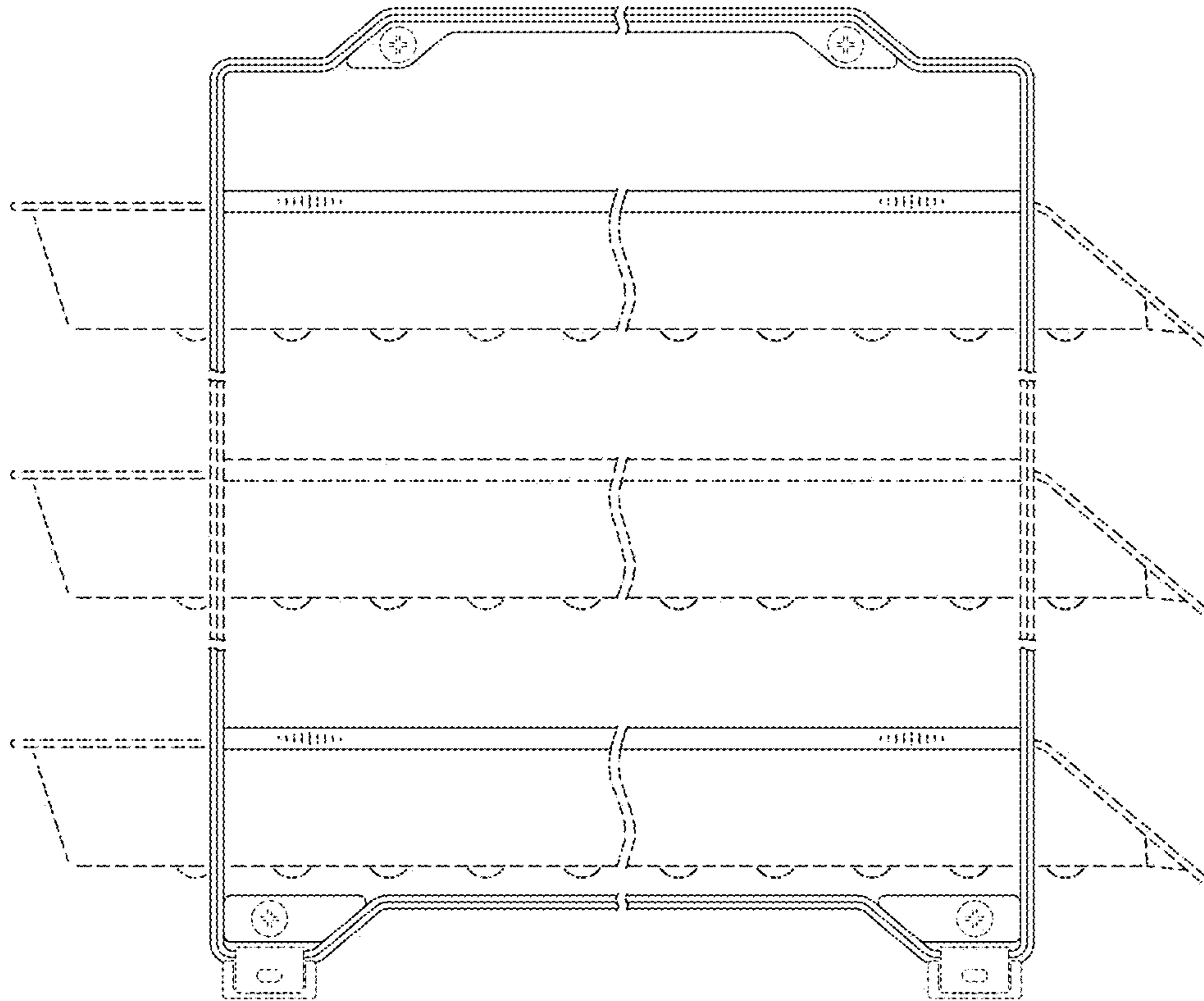


FIG. 4

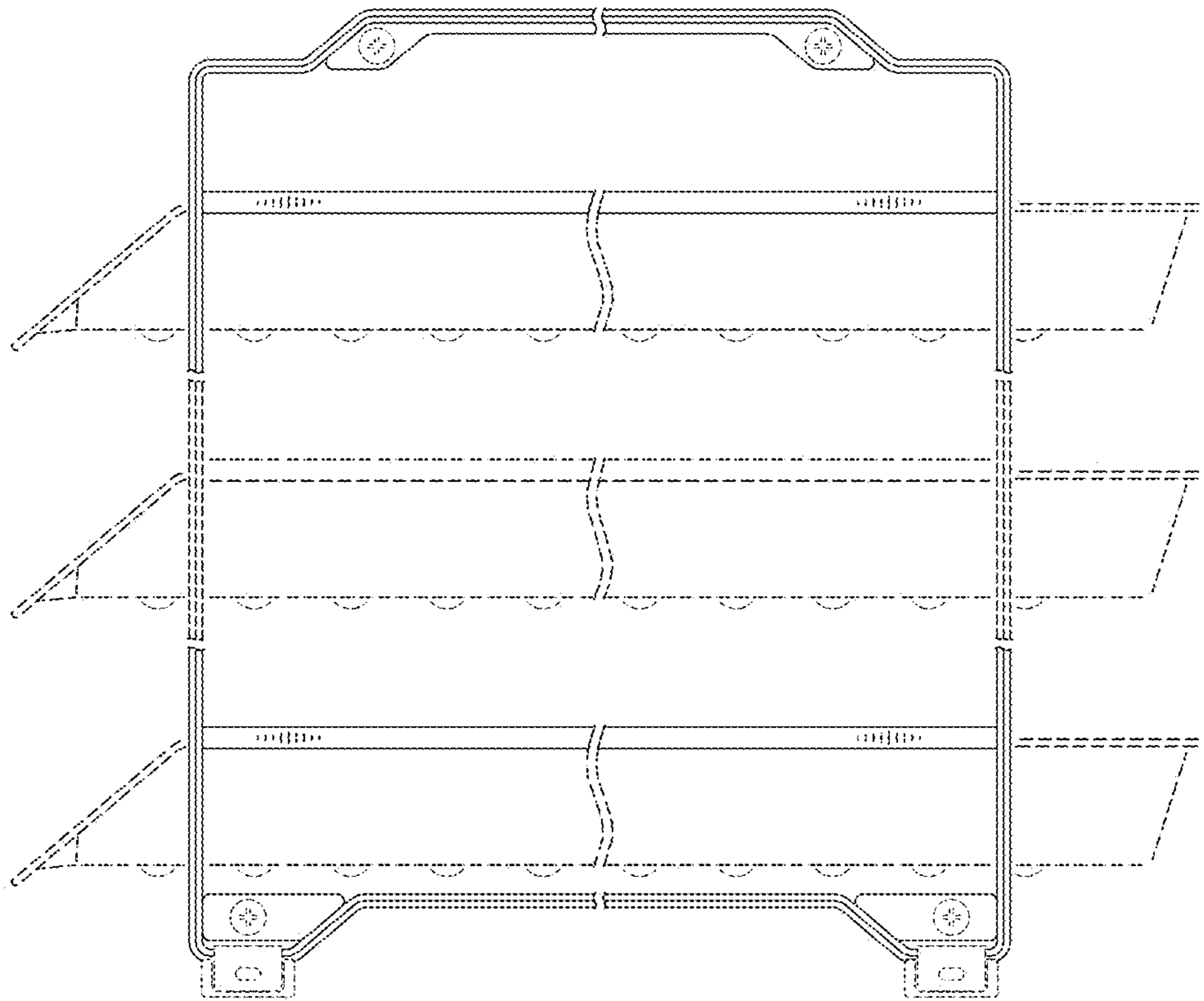


FIG. 5

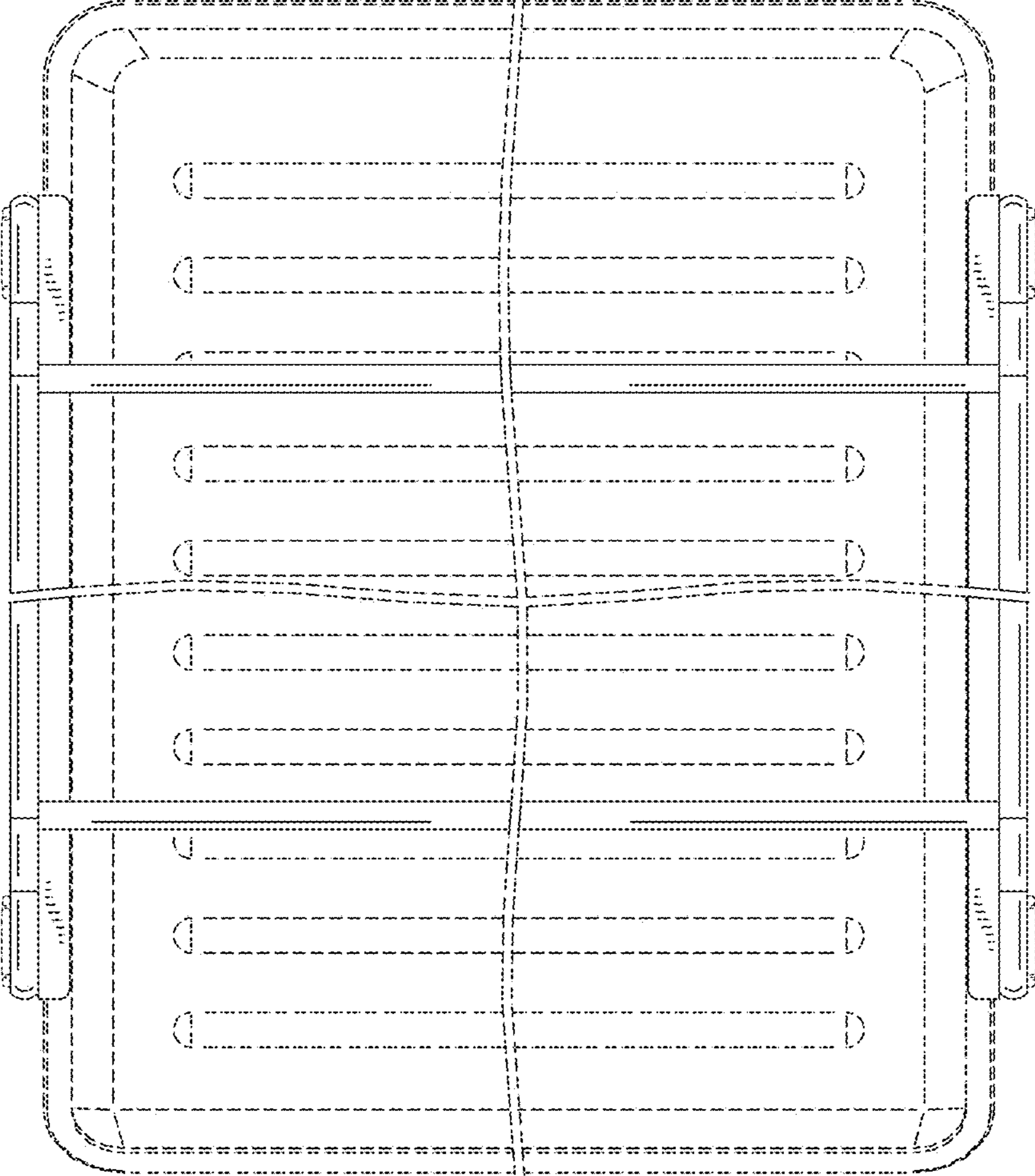


FIG. 6

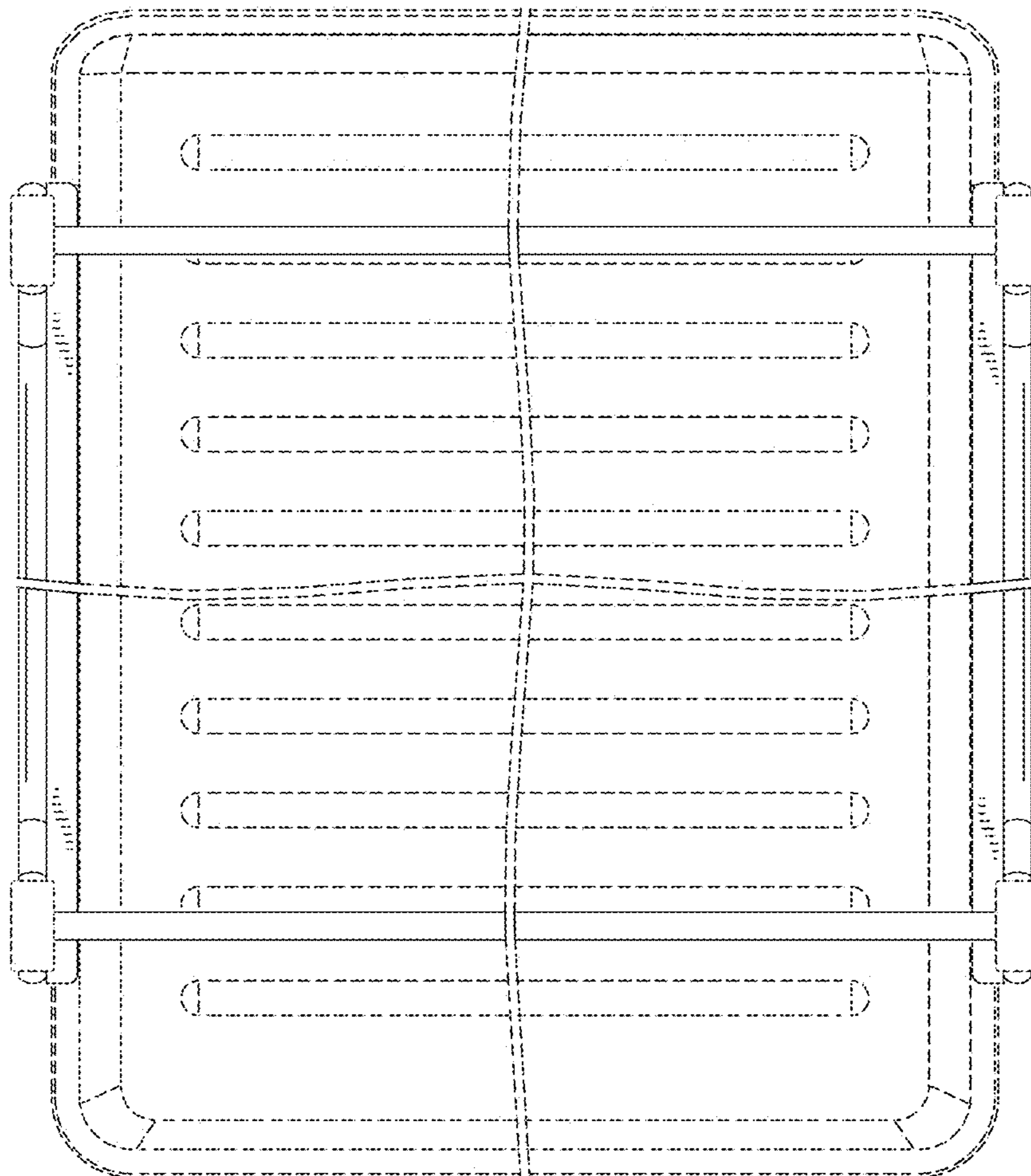


FIG. 7