



US00D757174S

(12) **United States Design Patent**
Rowe et al.

(10) **Patent No.:** **US D757,174 S**
(45) **Date of Patent:** **** May 24, 2016**

(54) **FOLDER WITH SPINE AND FLAP FEATURES**

(71) Applicant: **ACCO Brands Corporation**, Lake Zurich, IL (US)

(72) Inventors: **Michael D. Rowe**, Medway, OH (US);
Scot B. Herbst, Santa Cruz, CA (US);
Peter M. Bartlett, Bellbrook, OH (US);
Megan C. Lapointe, Burlington (CA)

(73) Assignee: **ACCO BRANDS CORPORATION**, Lake Zurich, IL (US)

(**) Term: **14 Years**

(21) Appl. No.: **29/525,624**

(22) Filed: **Apr. 30, 2015**

Related U.S. Application Data

(62) Division of application No. 29/450,664, filed on Mar. 20, 2013, now Pat. No. Des. 731,592.

(51) **LOC (10) Cl.** **19-04**

(52) **U.S. Cl.**
USPC **D19/27**

(58) **Field of Classification Search**
USPC D19/20, 21, 22, 26, 27, 100; D3/247,
D3/294, 299

CPC B42F 13/00; B42F 13/0006; B42F 3/00;
B42F 3/04; B42F 5/00; B42F 13/14; B42F
13/16

See application file for complete search history.

(56) **References Cited**

U.S. PATENT DOCUMENTS

3,933,375 A 1/1976 Humphrey et al.
4,219,951 A 9/1980 Schmidt
4,296,945 A 10/1981 Pavlik
4,630,843 A * 12/1986 Willat B42F 13/0013
156/292
4,848,798 A * 7/1989 Moor B42F 13/0033

281/29
4,856,817 A * 8/1989 Moor B42F 13/0006
281/29
D311,419 S * 10/1990 Moor D19/27
D312,278 S * 11/1990 Moor D19/26
D313,619 S 1/1991 Moor
5,020,828 A * 6/1991 Moor B42D 3/02
156/292

(Continued)

FOREIGN PATENT DOCUMENTS

CA 110807 1/2009
CA 118573 1/2009

(Continued)

OTHER PUBLICATIONS

US, Non-Final Office Action; Design U.S. Appl. No. 29/525,620 (Oct. 8, 2015).

Primary Examiner — Ian Simmons

Assistant Examiner — Ieisha Price

(74) *Attorney, Agent, or Firm* — Thompson Hine LLP

(57) **CLAIM**

The ornamental design for a folder with spine and flap features, as shown and described.

DESCRIPTION

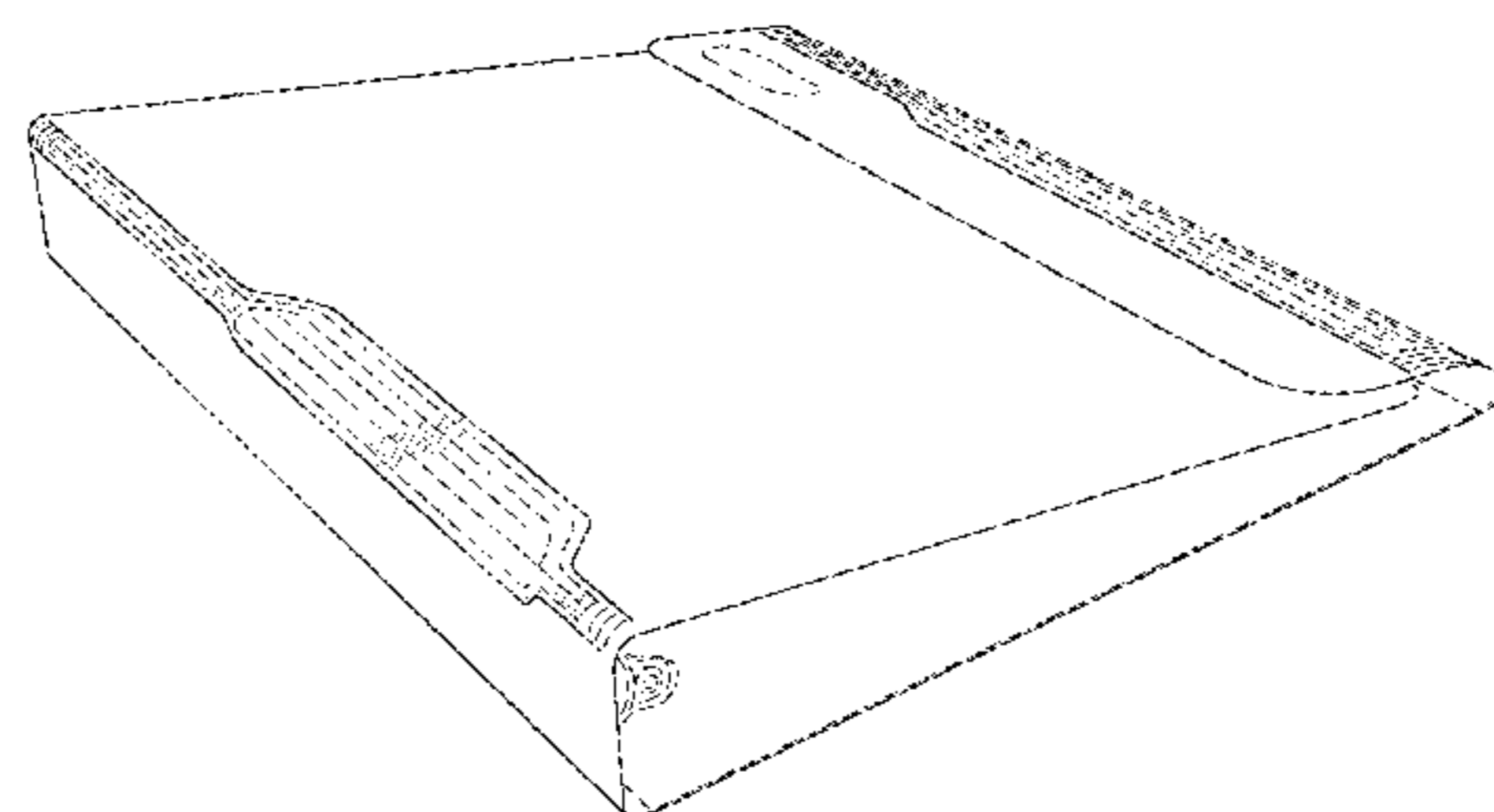
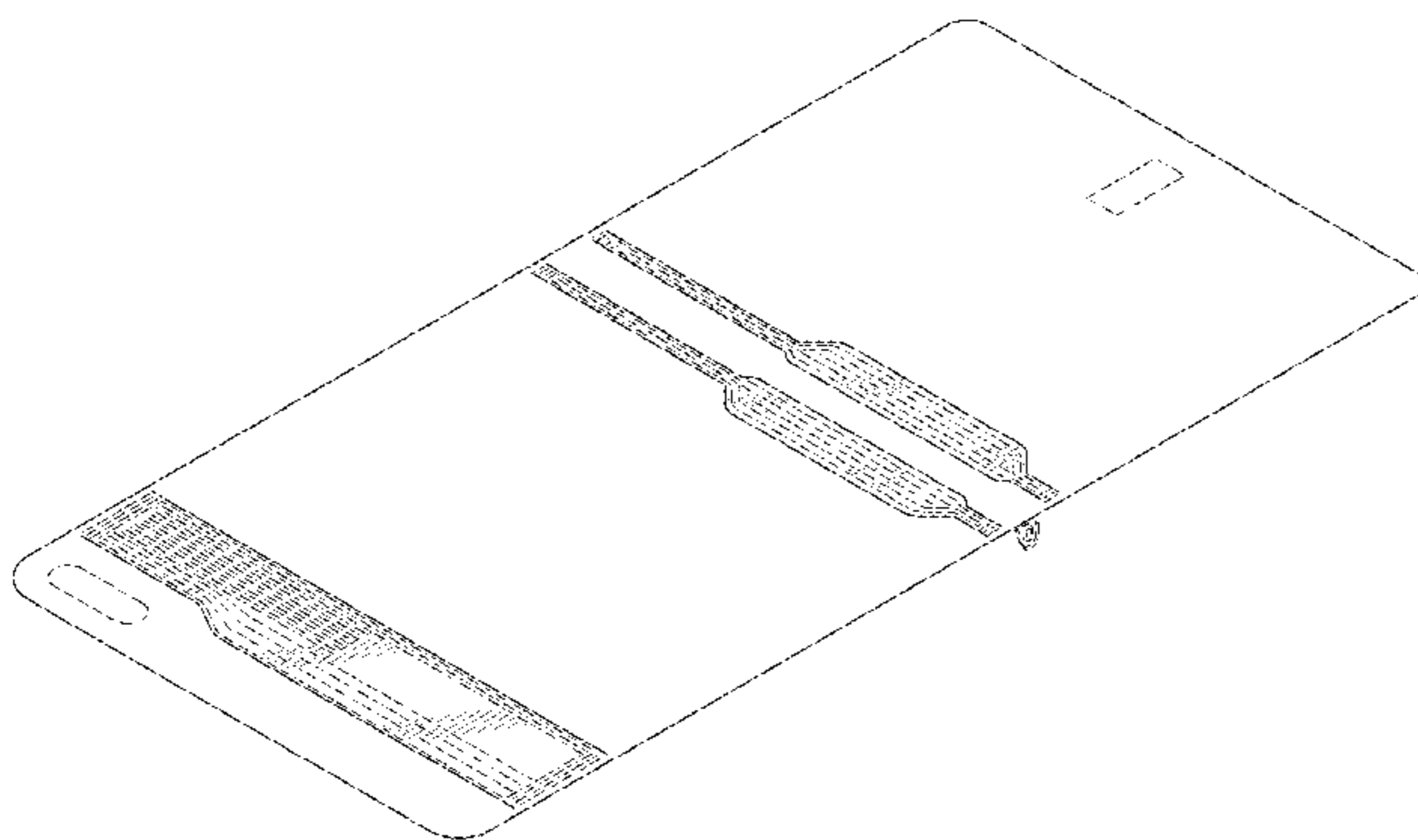
FIG. 1 is a top view of the folder with spine and flap features; FIG. 2 is a top perspective view of the folder with spine and flap features of FIG. 1; and,

FIG. 3 is a perspective view of the folder with spine and flap features of FIG. 2, in a folded and closed condition.

The broken lines in the drawings illustrate portions of the folder with spine and flap features and form no part of the claimed design.

The perimeter of folder with flap features, the features shown in full lines and areas rendered with shading are to be understood to be the claimed design. The surfaces without shading are not the claimed design and form no part thereof.

1 Claim, 3 Drawing Sheets



(56)

References Cited

U.S. PATENT DOCUMENTS

D319,659	S	9/1991	Moor	
D319,660	S	9/1991	Moor	
5,236,226	A *	8/1993	Sheffield	B42F 7/06 281/31
5,351,992	A *	10/1994	Chilson	B42F 13/0006 281/30
D353,836	S *	12/1994	Carvelli	D19/27
D359,310	S *	6/1995	Su	D19/26
D414,801	S *	10/1999	Karten	D19/26
D431,049	S *	9/2000	Moor	D19/26
D446,241	S	8/2001	Moor	
D486,854	S	2/2004	Wehmeyer et al.	
D557,739	S	12/2007	Bharma	
D557,740	S	12/2007	Bharma	
D558,267	S	12/2007	Bharma	
D569,426	S	5/2008	Stockstill et al.	
D574,889	S	8/2008	Stockstill et al.	
D576,673	S *	9/2008	Petrie	D19/26
D577,381	S	9/2008	Stockstill et al.	
D577,382	S	9/2008	Stockstill et al.	

D577,767	S	9/2008	Stockstill et al.	
D581,458	S	11/2008	Stockstill et al.	
D585,092	S	1/2009	Stockstill et al.	
D586,390	S	2/2009	Stockstill et al.	
D588,635	S	3/2009	Stockstill et al.	
D591,343	S	4/2009	Hussy et al.	
D618,277	S *	6/2010	Baker	D19/27
D638,470	S	5/2011	Stockstill et al.	
D731,592	S *	6/2015	Rowe	D19/27
2008/0174412	A1	7/2008	Sward et al.	
2012/0241507	A1	9/2012	Rowe et al.	

FOREIGN PATENT DOCUMENTS

CA	118574	1/2009
CA	121194	1/2009
CA	121201	1/2009
CA	127129	1/2009
CA	127130	1/2009
CA	127131	1/2009
CA	127521	1/2009
CA	127538	1/2009

* cited by examiner

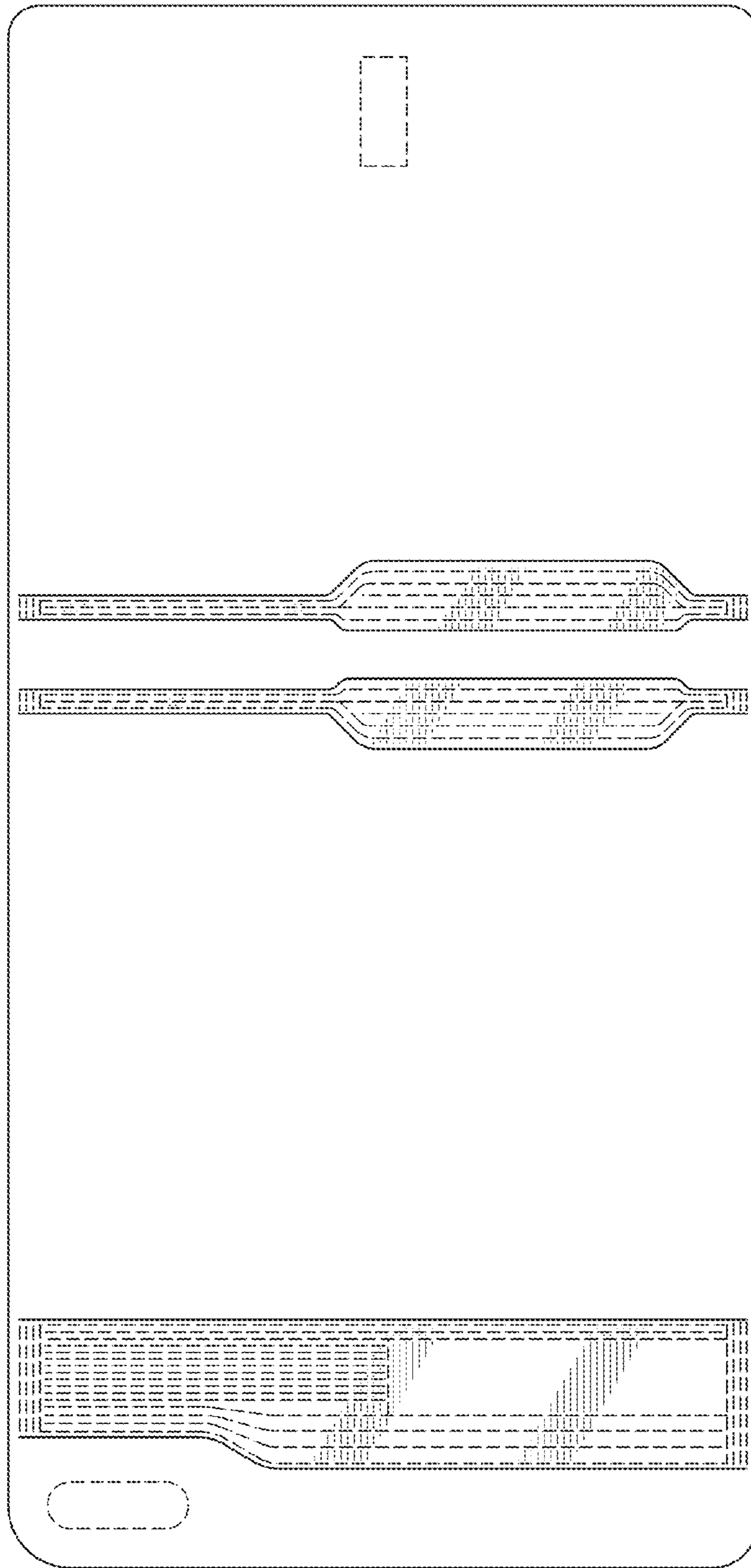


FIG. 1

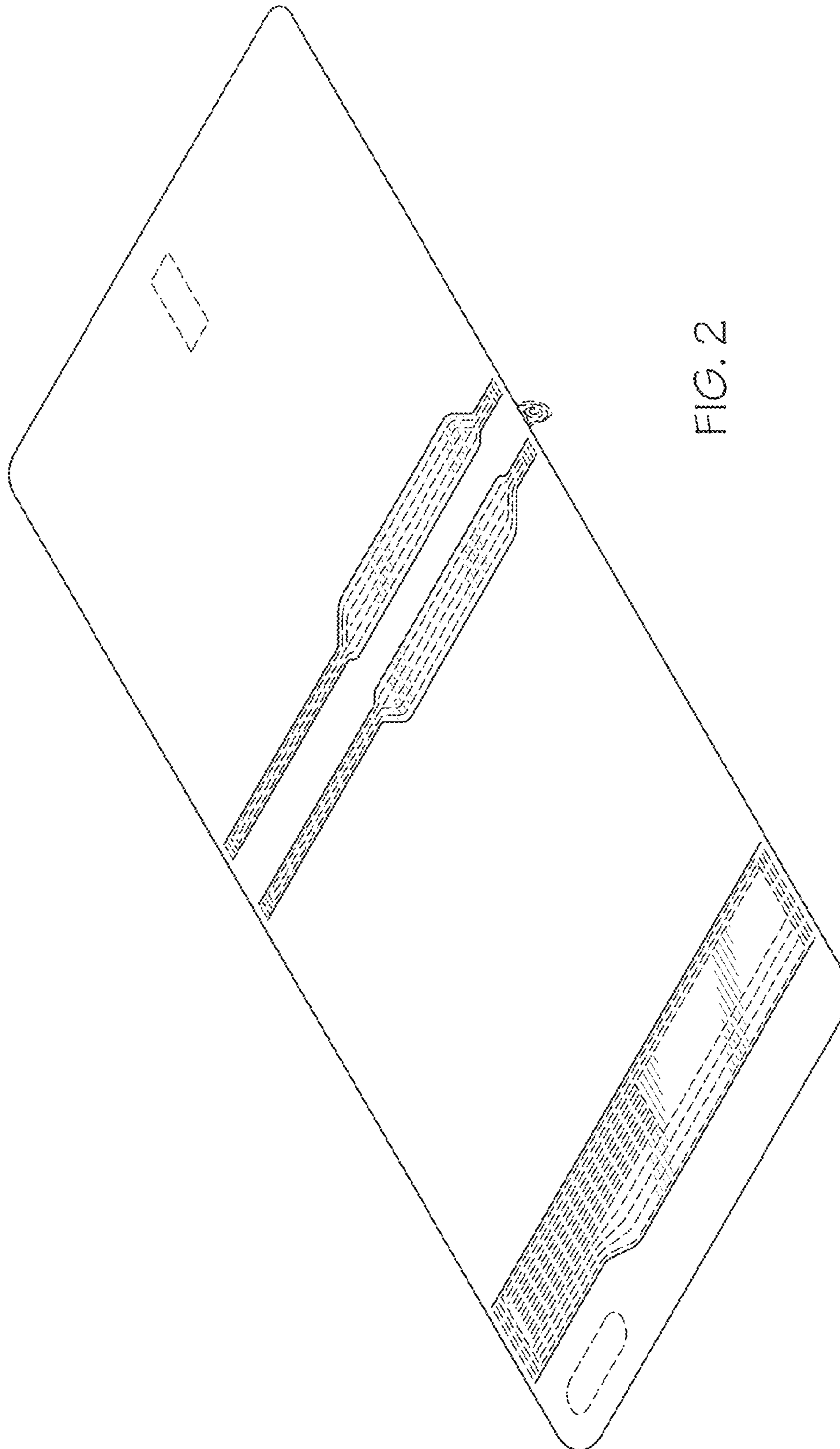


FIG. 2

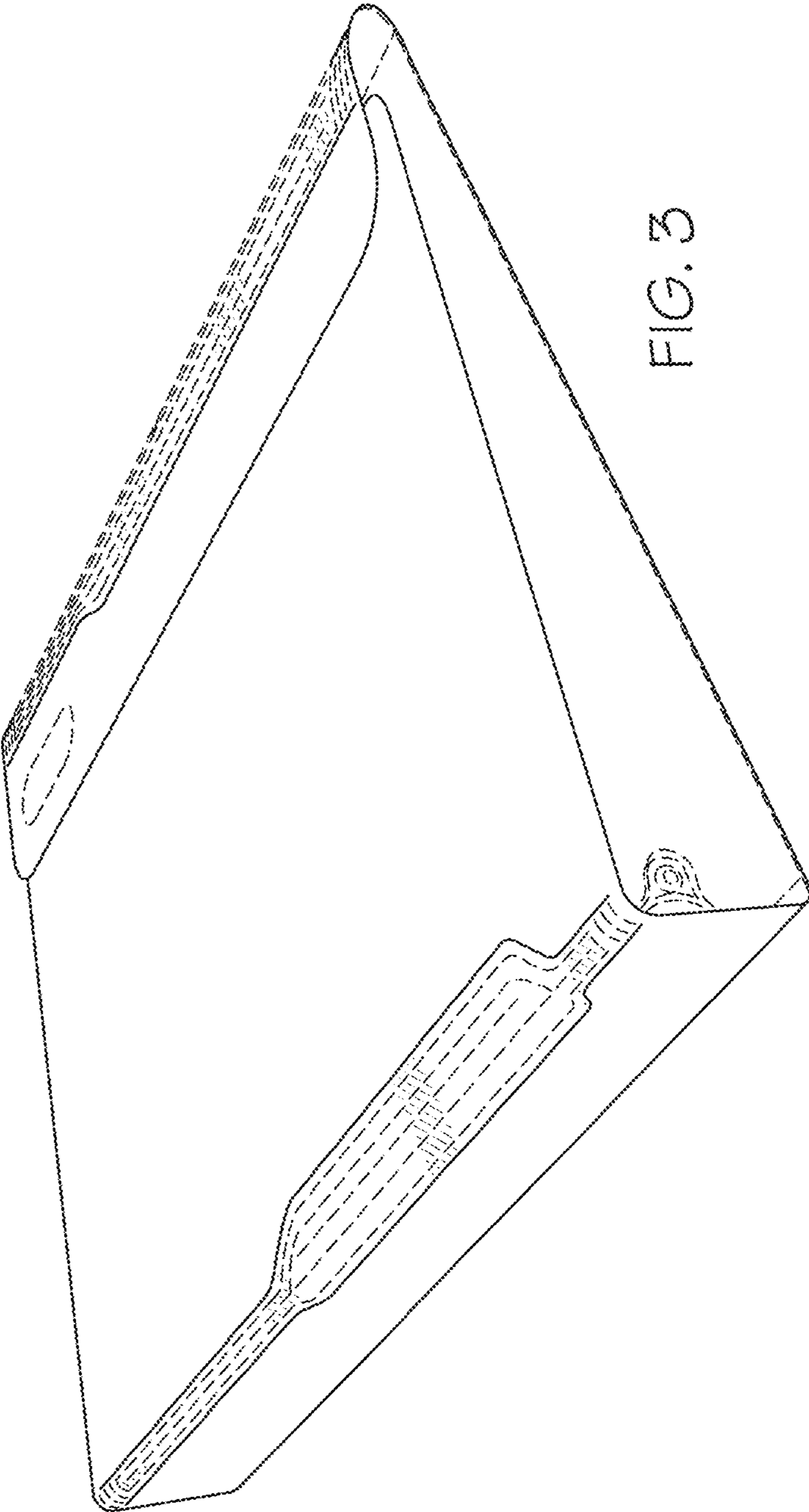


FIG. 3