



US00D757172S

(12) **United States Design Patent**
Tanaka

(10) **Patent No.:** **US D757,172 S**

(45) **Date of Patent:** **** May 24, 2016**

(54) **INK RIBBON CARTRIDGE FOR TAPE PRINTING MACHINE**

(71) Applicant: **BROTHER INDUSTRIES, LTD.**,
Nagoya-shi, Aichi-ken (JP)

(72) Inventor: **Mitsugi Tanaka**, Nagoya (JP)

(73) Assignee: **BROTHER INDUSTRIES, LTD.**,
Nagoya (JP)

(**) Term: **14 Years**

(21) Appl. No.: **29/490,197**

(22) Filed: **May 7, 2014**

(30) **Foreign Application Priority Data**

Nov. 8, 2013 (JP) 2013-26123

(51) **LOC (10) Cl.** **18-02**

(52) **U.S. Cl.**
USPC **D18/56**

(58) **Field of Classification Search**
USPC D18/12, 40, 43-44, 56; 347/214;
360/132, 134; 400/194-196, 207-208,
400/208.1, 235.1, 236, 242, 247, 331
CPC B41J 17/28; B41J 17/30; B41J 17/32;
B41J 21/00; B41J 35/28; B41J 11/44; B41J
31/00; B41J 32/00; B41J 33/14; B41J 35/00;
B41J 35/22

See application file for complete search history.

(56) **References Cited**

U.S. PATENT DOCUMENTS

D270,914	S	*	10/1983	Nader	D18/44
D333,481	S	*	2/1993	Laurent	D18/12
5,588,756	A	*	12/1996	Hamisch et al.	400/208
D587,745	S	*	3/2009	Hashimoto et al.	D18/12
D593,595	S	*	6/2009	Kubota et al.	D18/12
D726,815	S	*	4/2015	Tanaka	D18/56
D733,796	S	*	7/2015	Yamazaki	D18/56

* cited by examiner

Primary Examiner — Cathy Anne MacCormac

(74) *Attorney, Agent, or Firm* — Oliff PLC

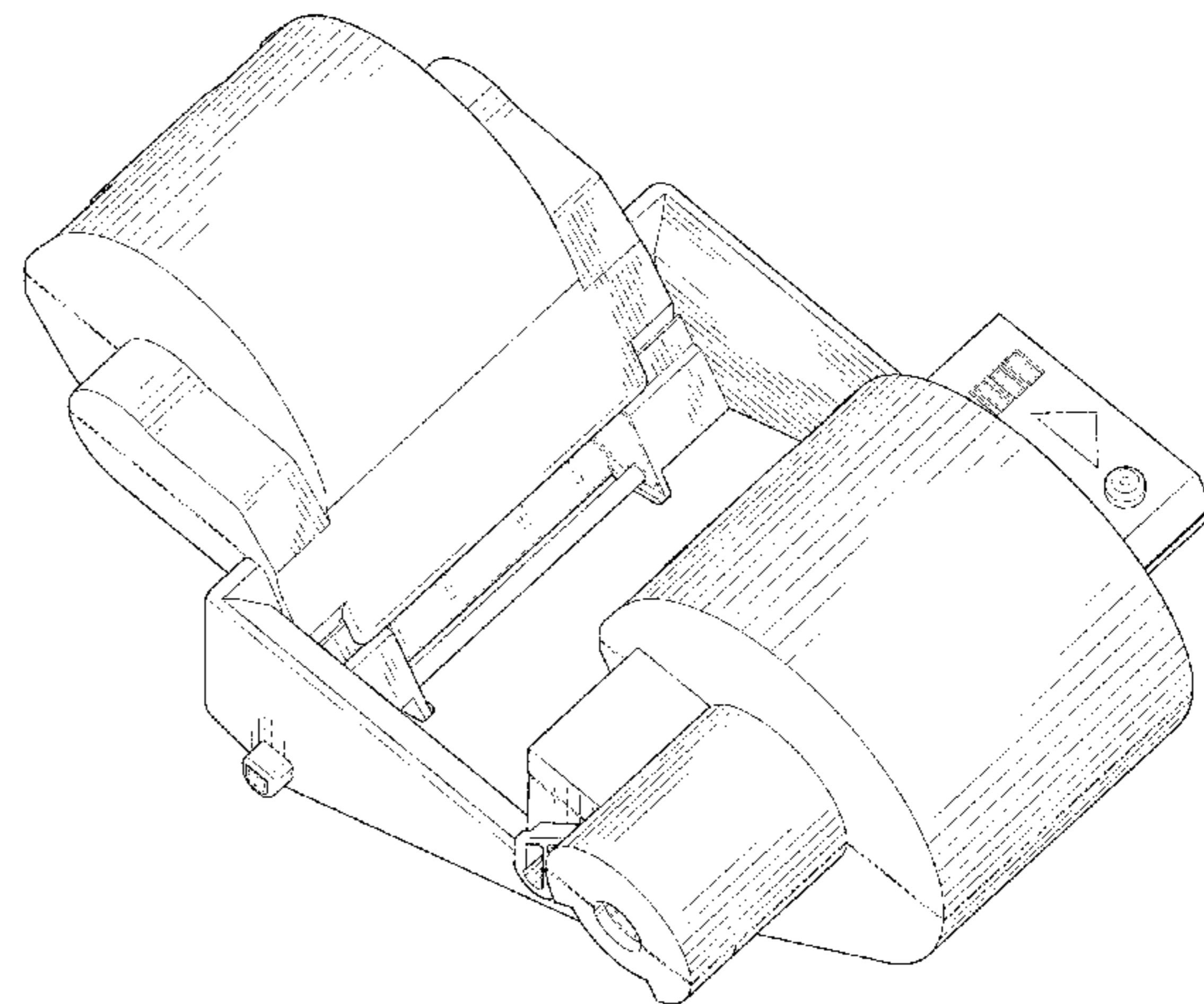
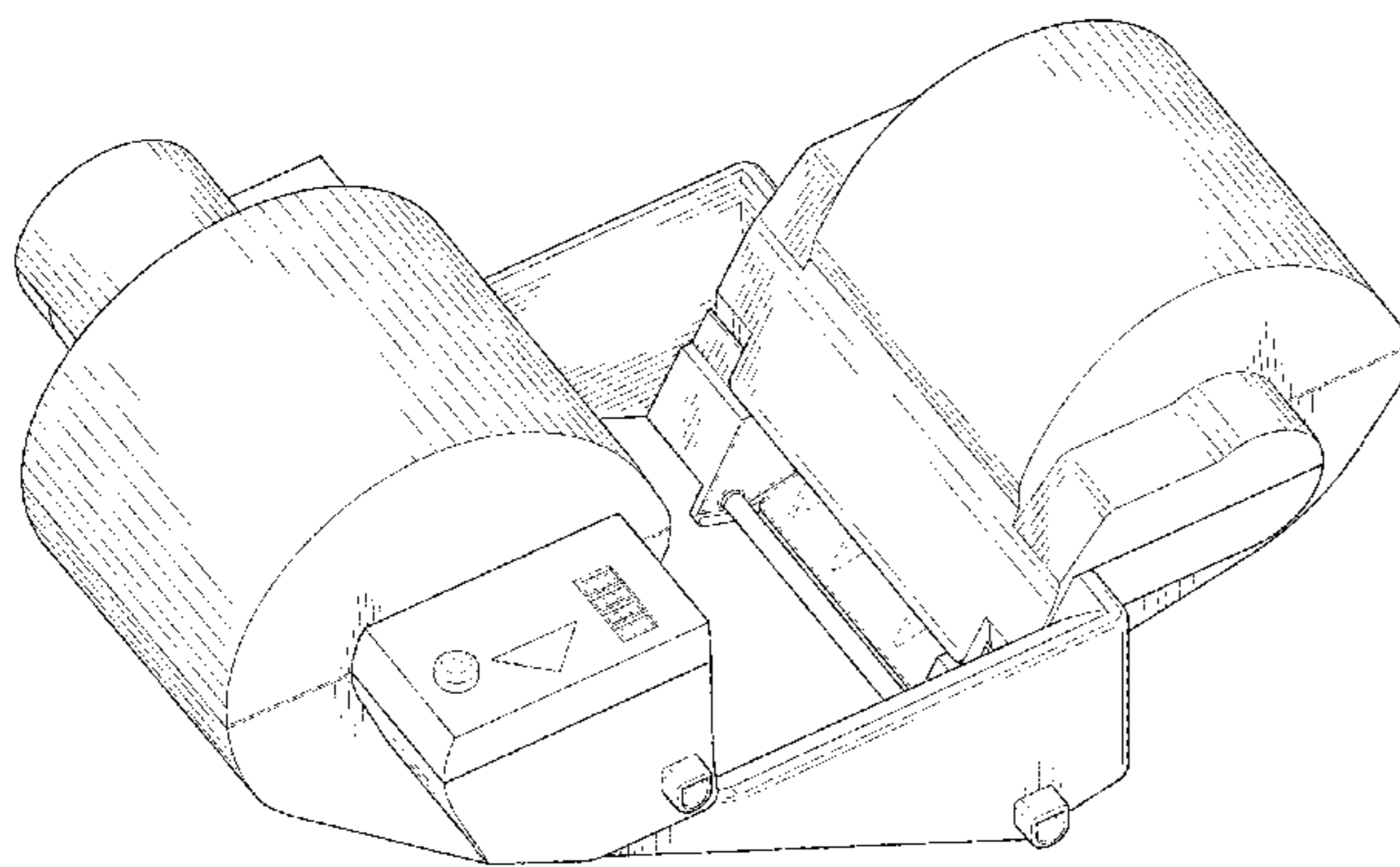
(57) **CLAIM**

The ornamental design for an ink ribbon cartridge for tape printing machine, as shown and described.

DESCRIPTION

FIG. 1 is a front perspective view of an ink ribbon cartridge for tape printing machine;
FIG. 2 is a front view thereof;
FIG. 3 is a top view thereof;
FIG. 4 is a right-side view thereof;
FIG. 5 is a left-side view thereof;
FIG. 6 is a rear view thereof;
FIG. 7 is a bottom view thereof; and,
FIG. 8 is a rear perspective view thereof.
The broken lines depict environmental subject matter only and form no part of the claimed design.

1 Claim, 8 Drawing Sheets



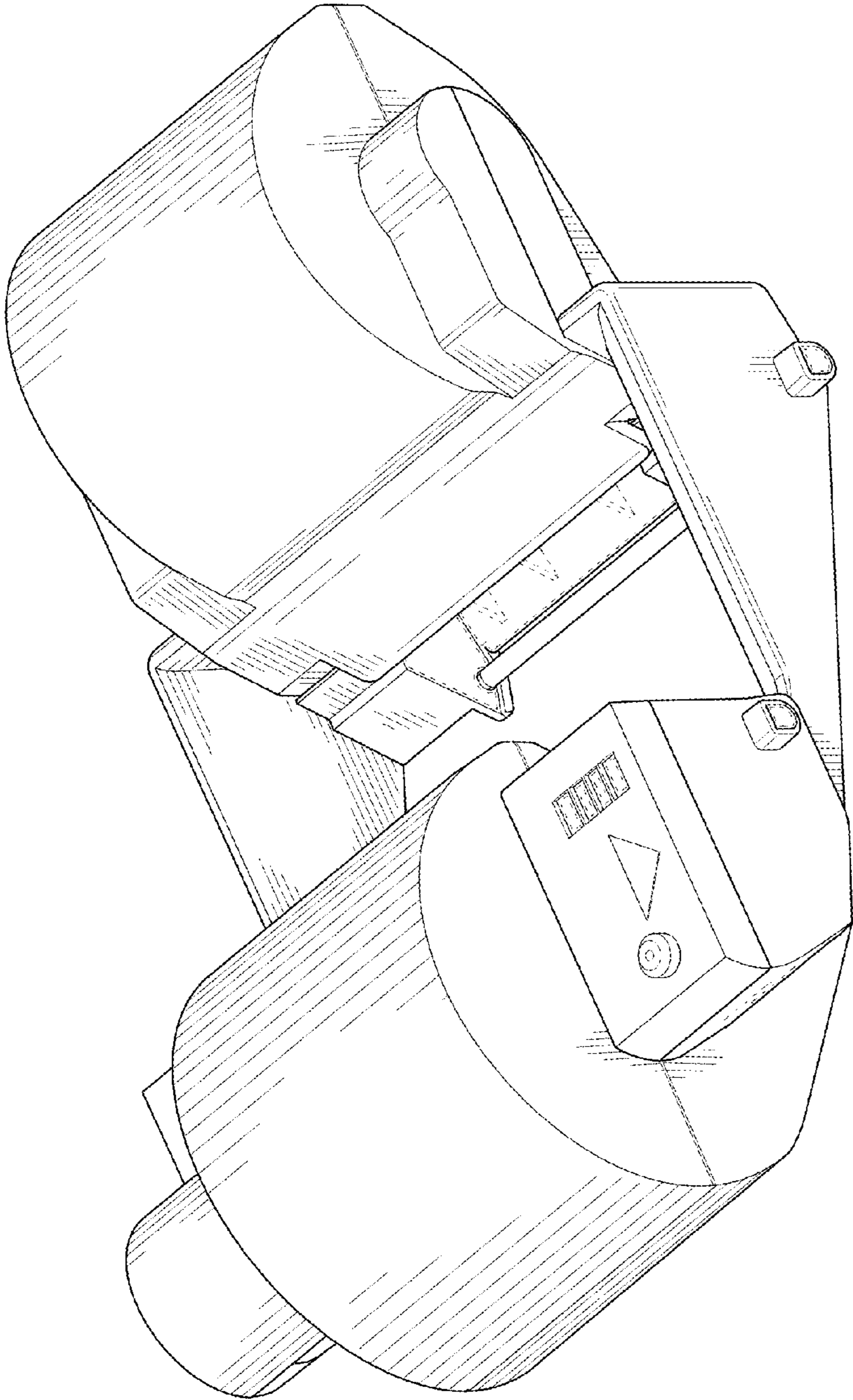


FIG. 1

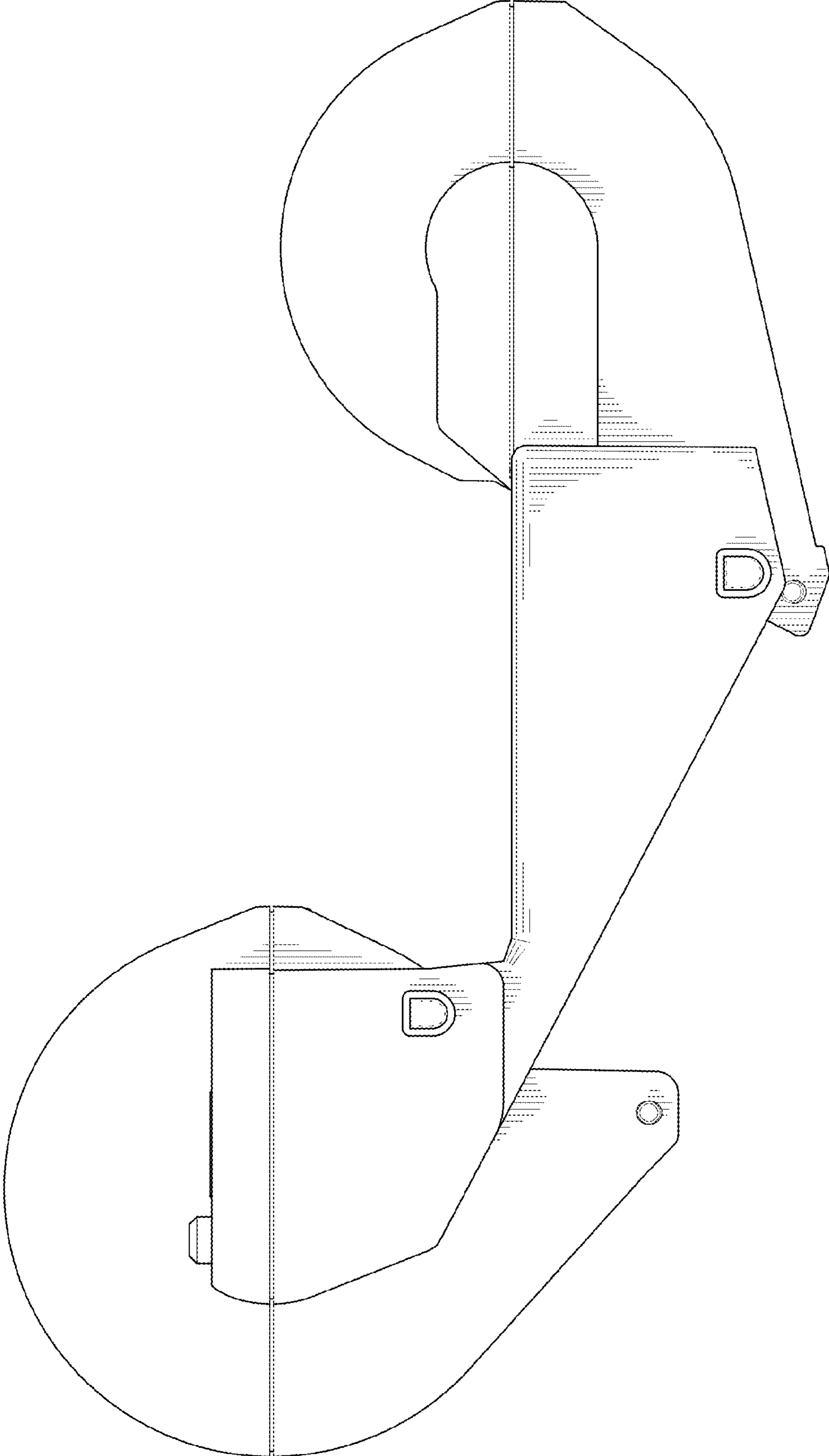


FIG. 2

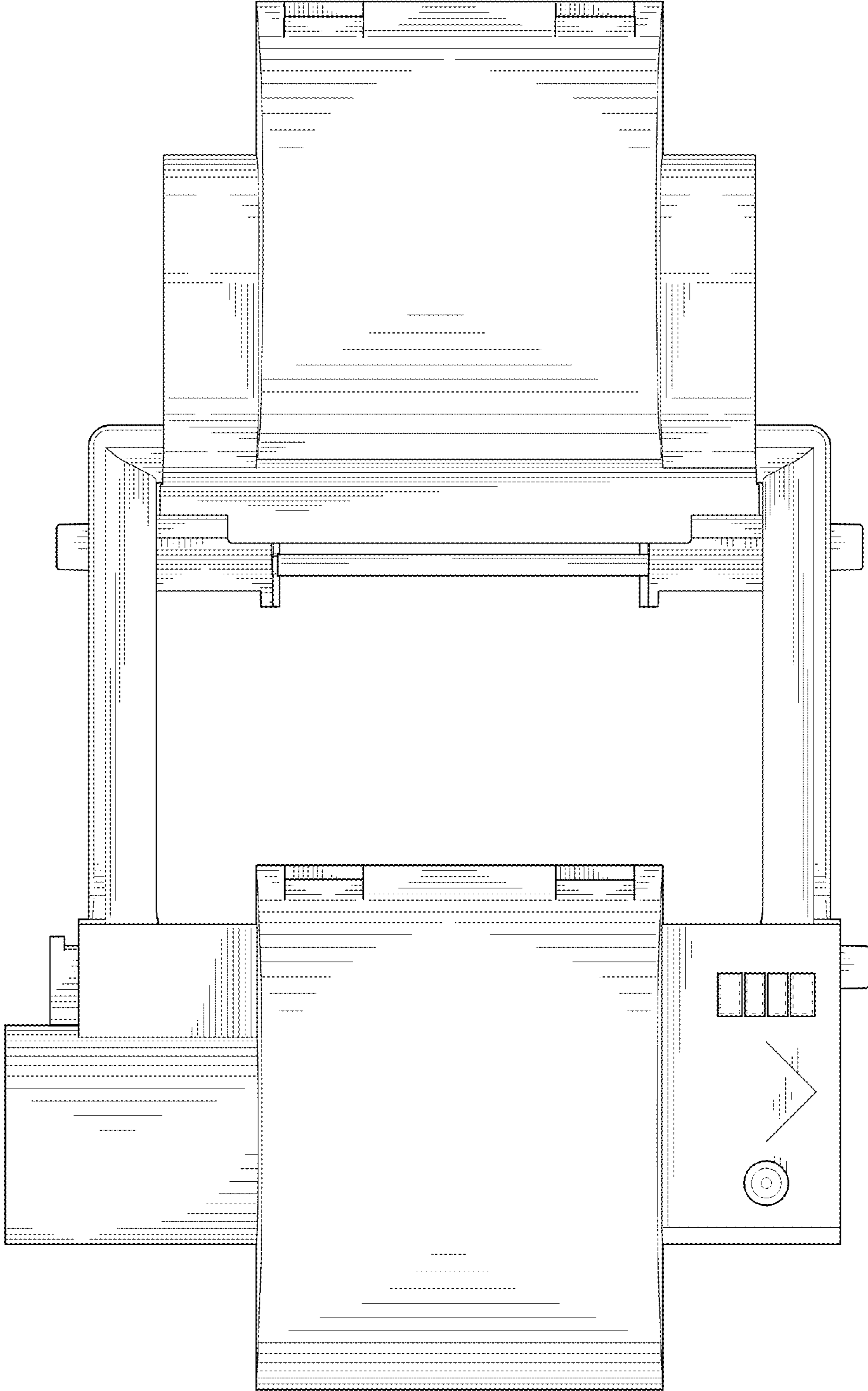


FIG. 3

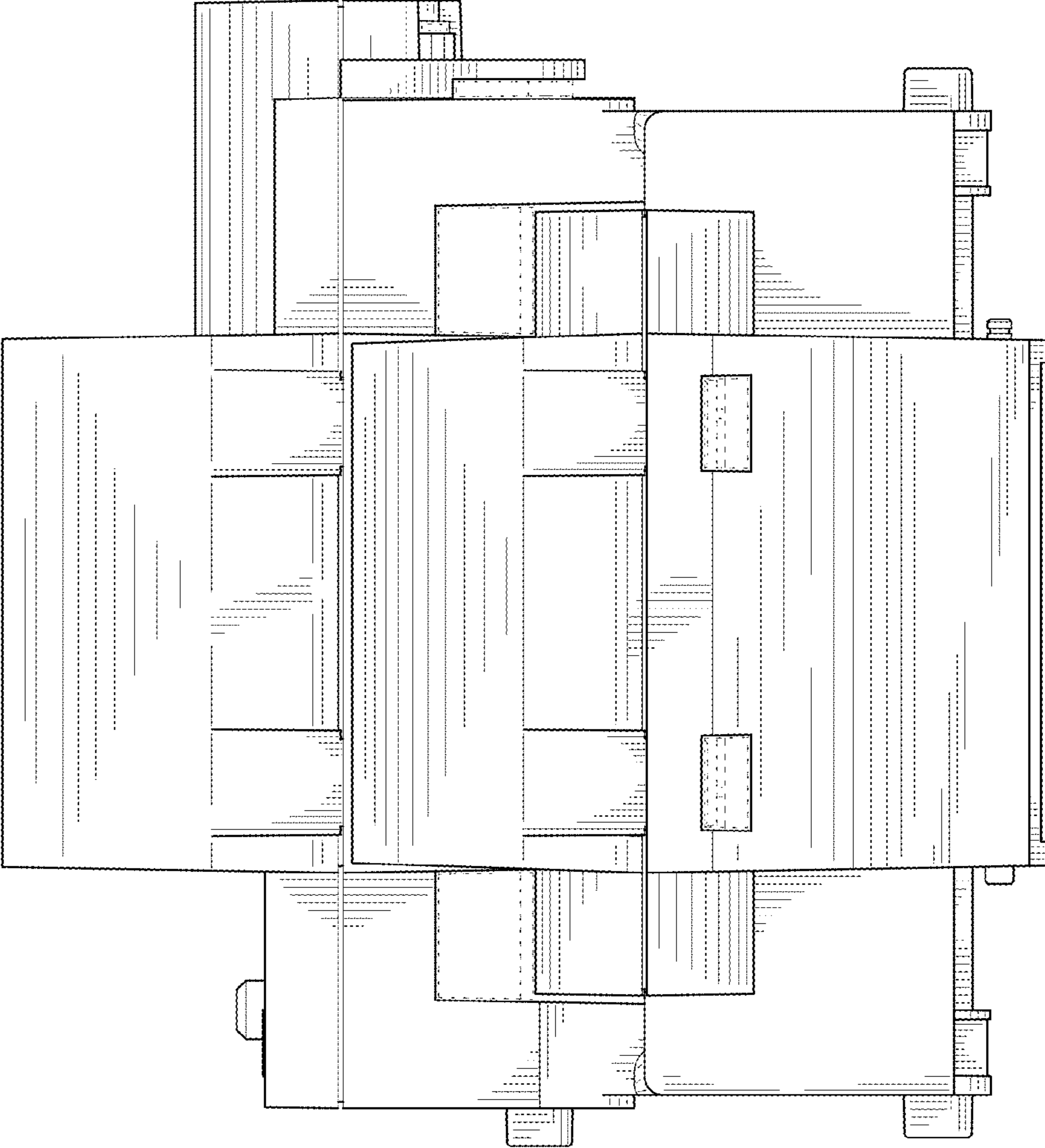


FIG. 4

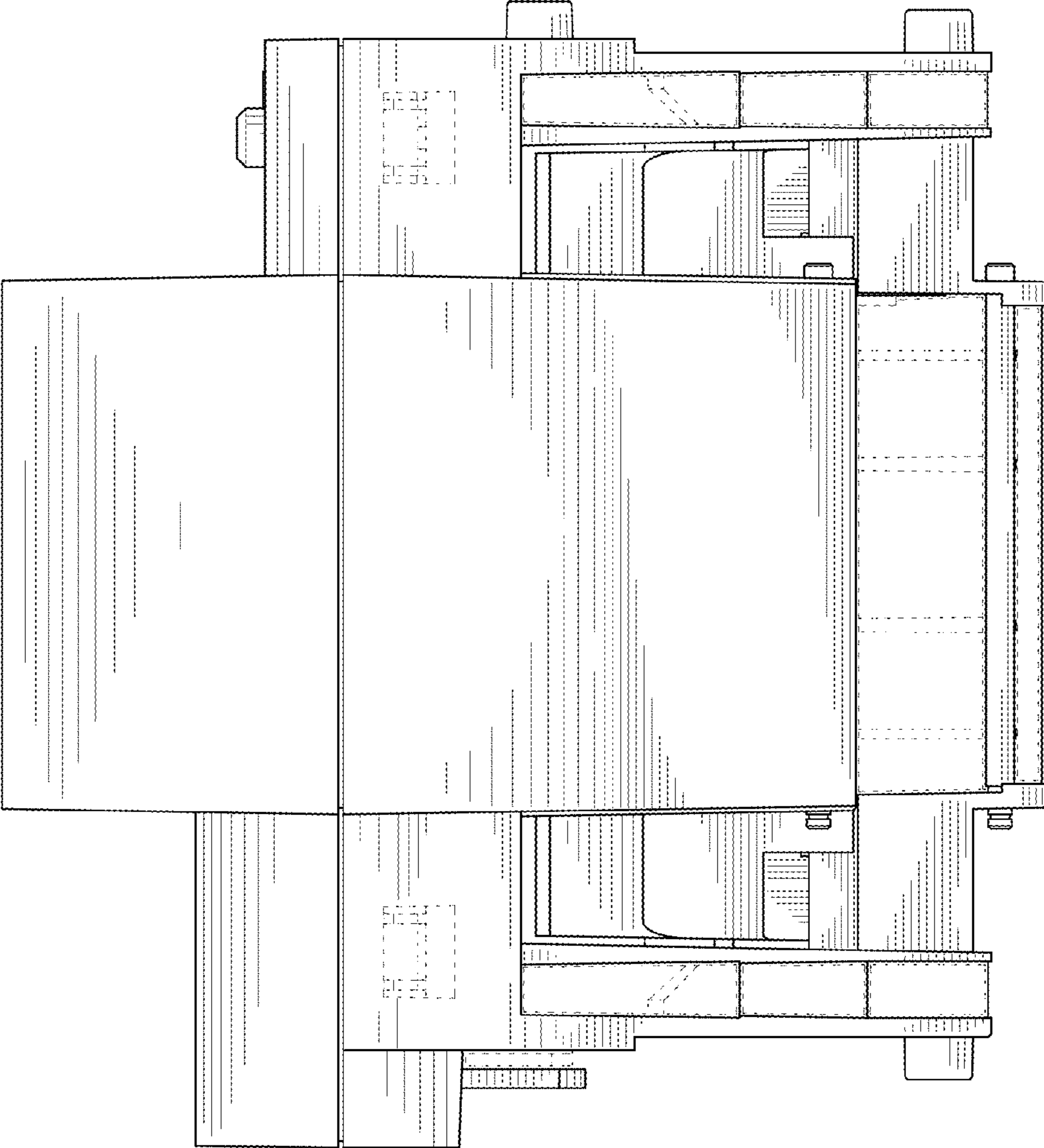


FIG. 5

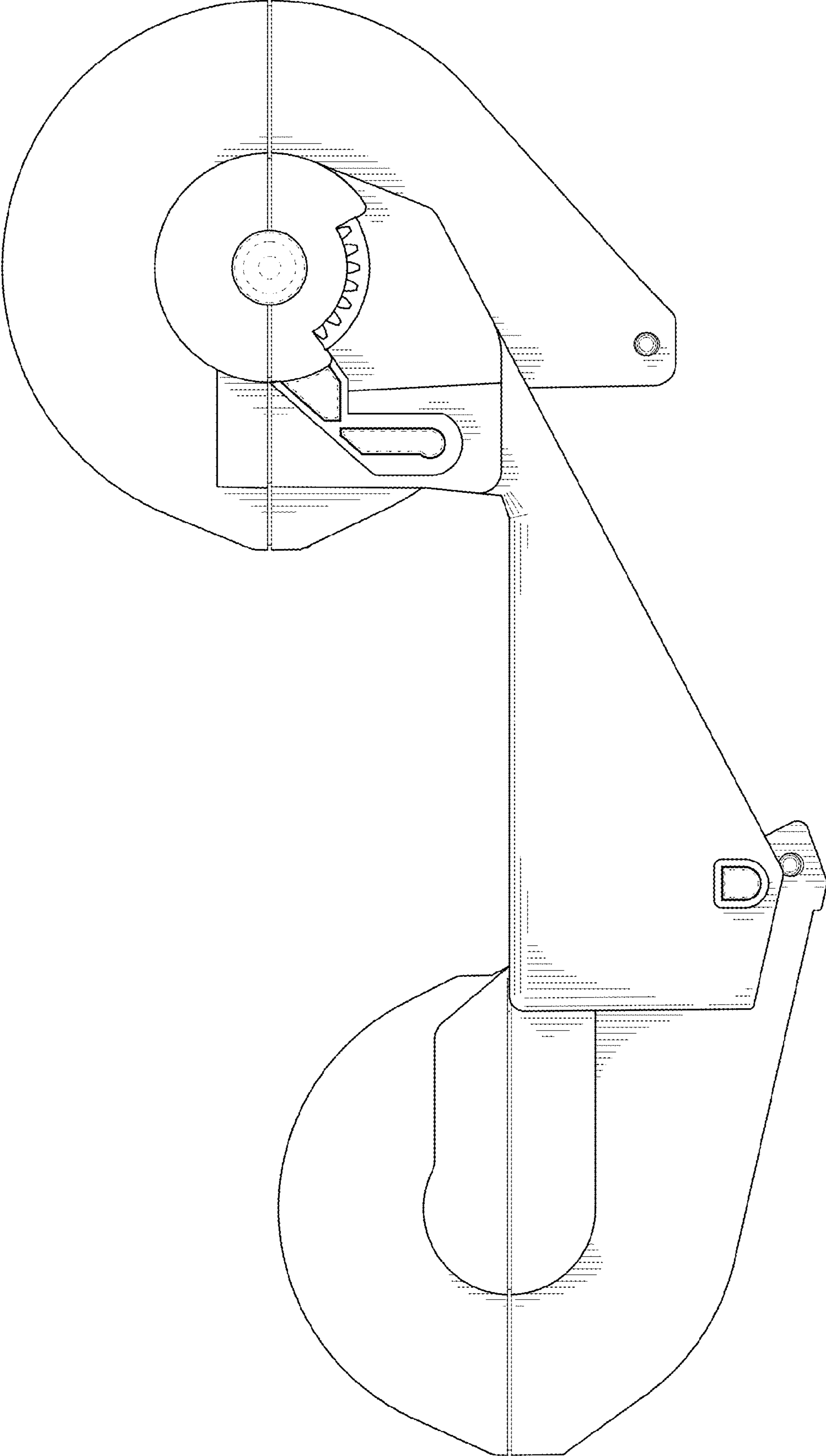


FIG. 6

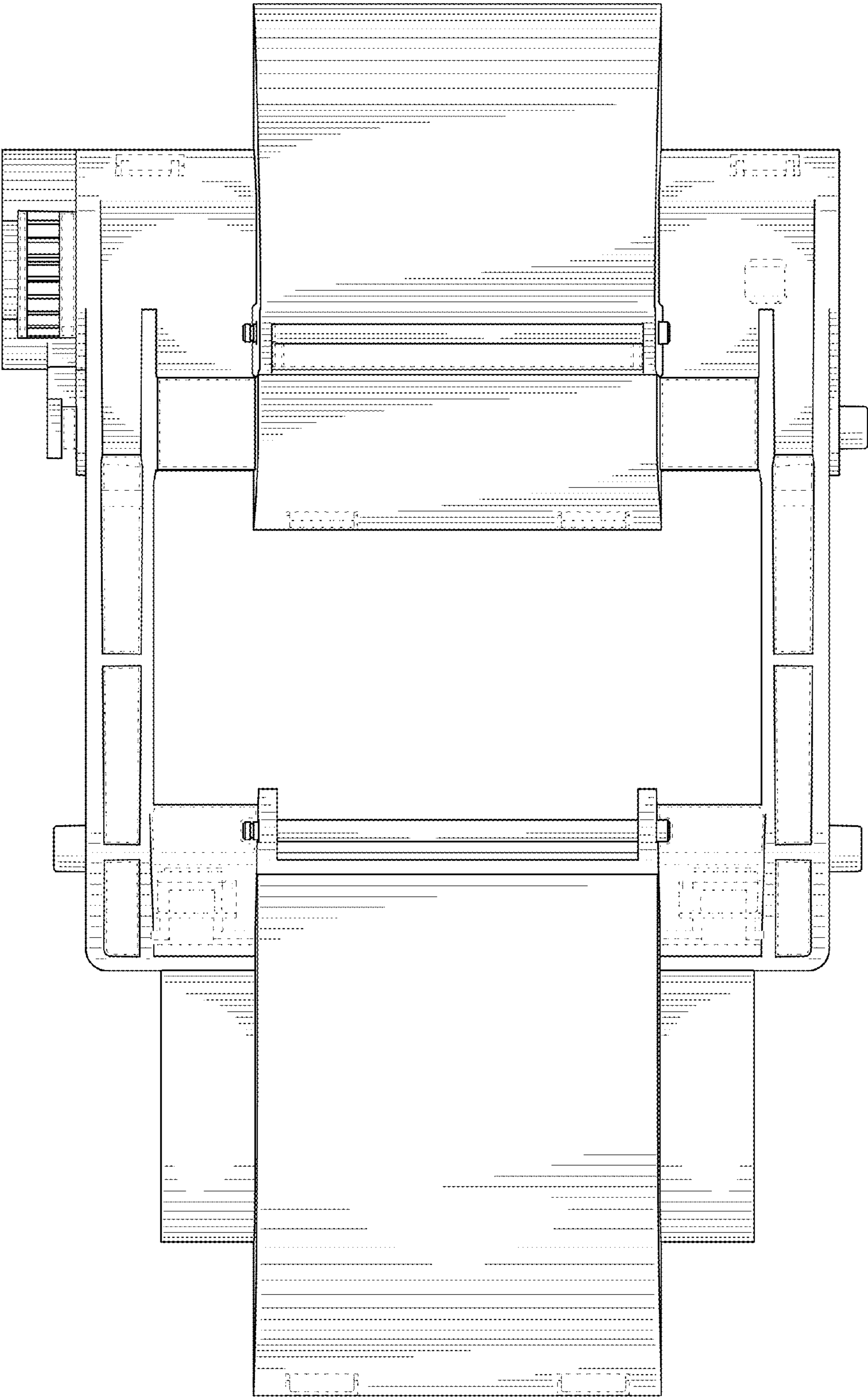


FIG. 7

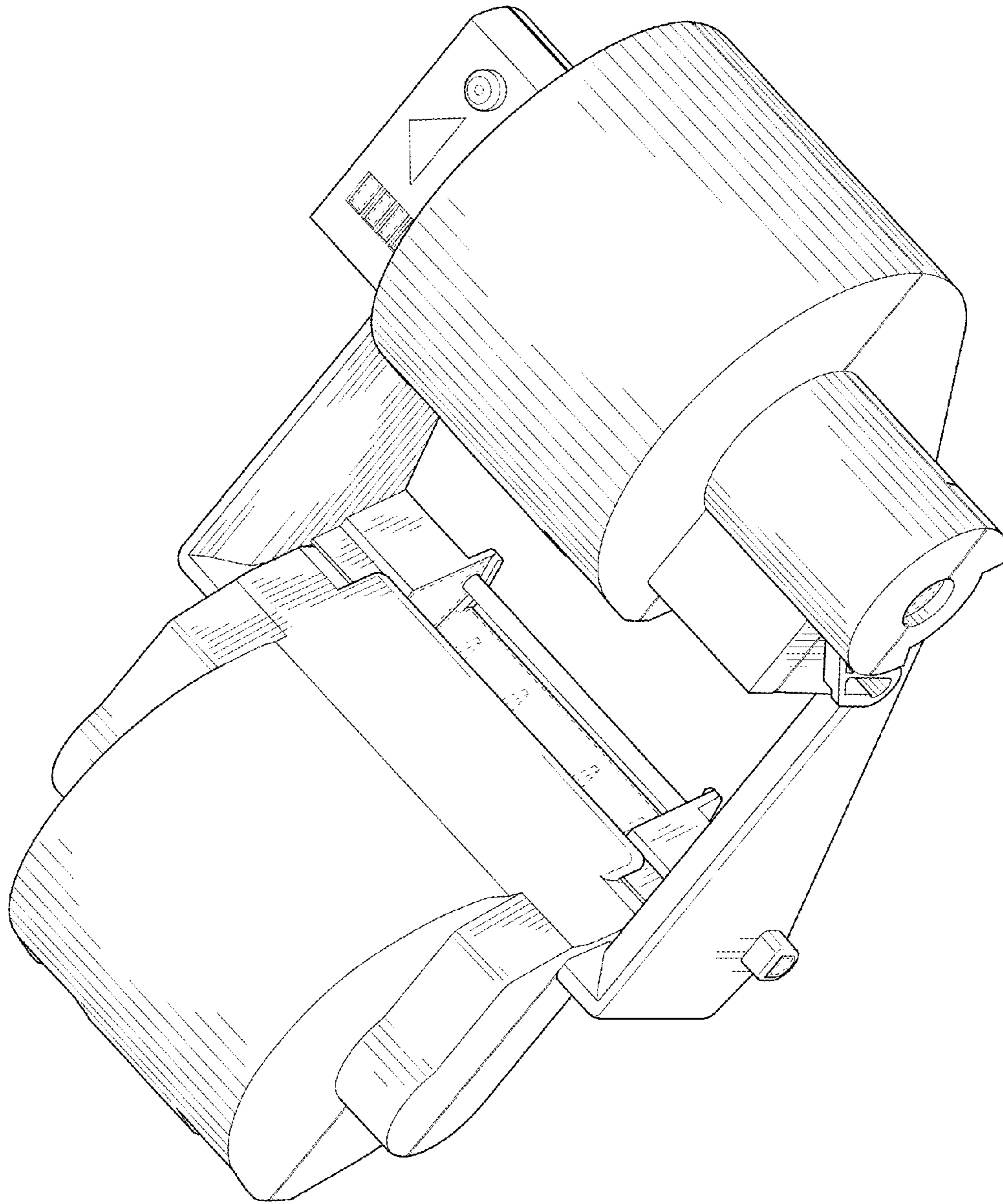


FIG. 8