



US00D757171S

(12) **United States Design Patent**
Kim et al.

(10) **Patent No.:** **US D757,171 S**

(45) **Date of Patent:** **** May 24, 2016**

(54) **PRINTER**

(71) Applicant: **Samsung Electronics Co., Ltd.**,
Suwon-si (KR)

(72) Inventors: **Kyong-Hwan Kim**, Seoul (KR);
Seungwook Jeong, Seoul (KR);
Taekung Park, Seoul (KR)

(73) Assignee: **Samsung Electronics Co., Ltd.**,
Suwon-si (KR)

(**) Term: **14 Years**

(21) Appl. No.: **29/485,283**

(22) Filed: **Mar. 18, 2014**

(30) **Foreign Application Priority Data**

Sep. 26, 2013 (KR) 30-2013-0049125

(51) **LOC (10) Cl.** **14-02**

(52) **U.S. Cl.**
USPC **D18/55**

(58) **Field of Classification Search**
USPC D18/36–39, 50, 53.54, 54.1, 55, 53;
D14/420–425, 462–470; 400/613,
400/613.1–613.4, 690.1–690.4, 691–694
See application file for complete search history.

(56) **References Cited**

U.S. PATENT DOCUMENTS

D474,233	S	*	5/2003	Isomoto	D18/50
D478,619	S	*	8/2003	Agata et al.	D18/55
D486,851	S	*	2/2004	Ohashi	D18/39
D585,934	S	*	2/2009	Tomono et al.	D18/55
D608,823	S	*	1/2010	Tomono	D18/55
D667,487	S	*	9/2012	Falk et al.	D18/55
D678,941	S	*	3/2013	Gilbert et al.	D18/55
D686,277	S	*	7/2013	Gilbert et al.	D18/55
D728,011	S	*	4/2015	Saito	D18/36

* cited by examiner

Primary Examiner — Cathy Anne MacCormac

(74) *Attorney, Agent, or Firm* — NSIP Law

(57) **CLAIM**

We claim the ornamental design for a printer, as shown and described.

DESCRIPTION

FIG. 1 is a front perspective view of a printer showing our new design;

FIG. 2 is a front view thereof;

FIG. 3 is a rear view thereof;

FIG. 4 is a left-side view thereof;

FIG. 5 is a right-side view thereof;

FIG. 6 is a top view thereof;

FIG. 7 is a bottom view thereof; and,

FIG. 8 is a front perspective view of a second embodiment of FIG. 1.

The broken lines depict environmental subject matter, are for illustration only and form no part of the claimed design.

1 Claim, 8 Drawing Sheets

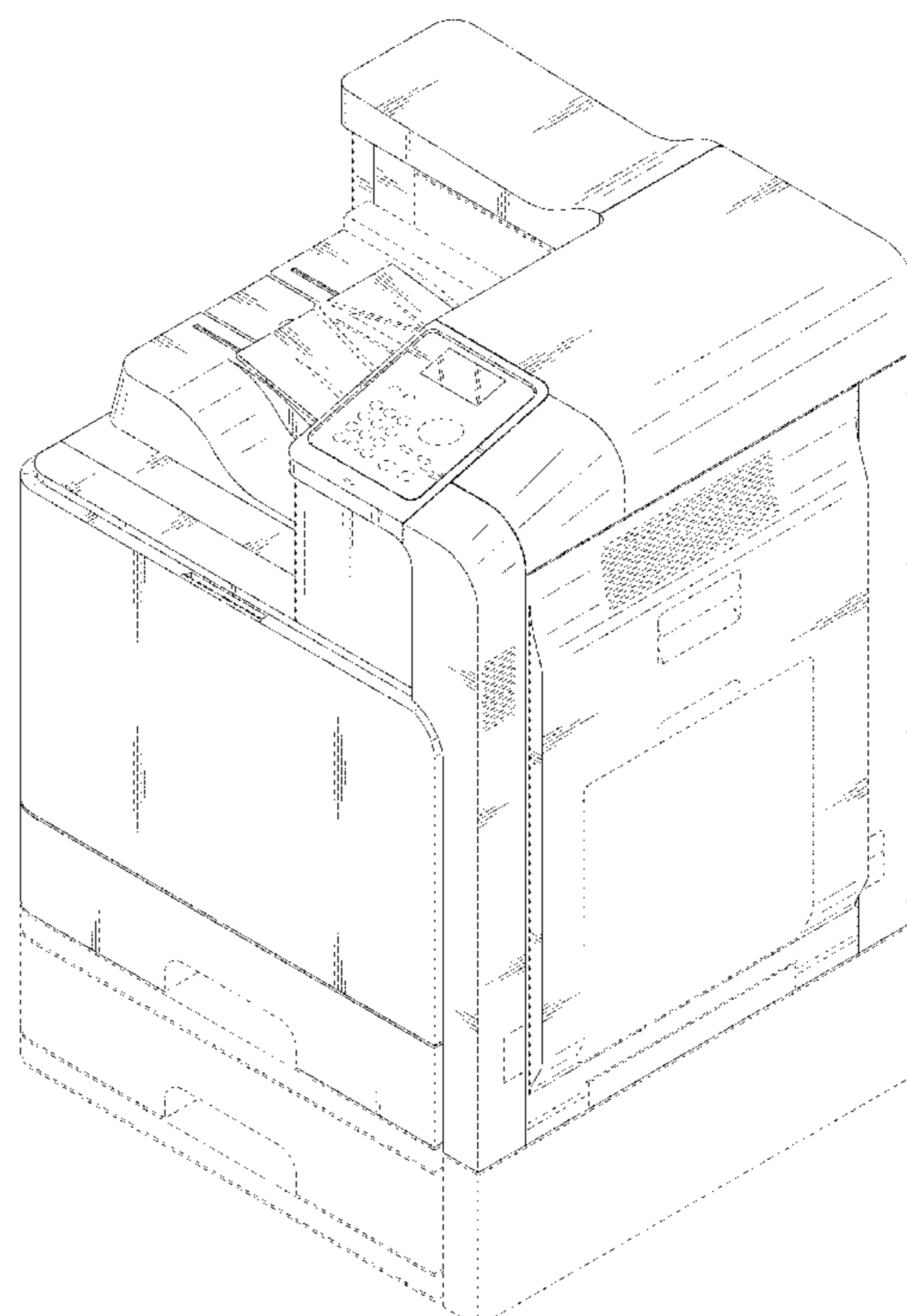
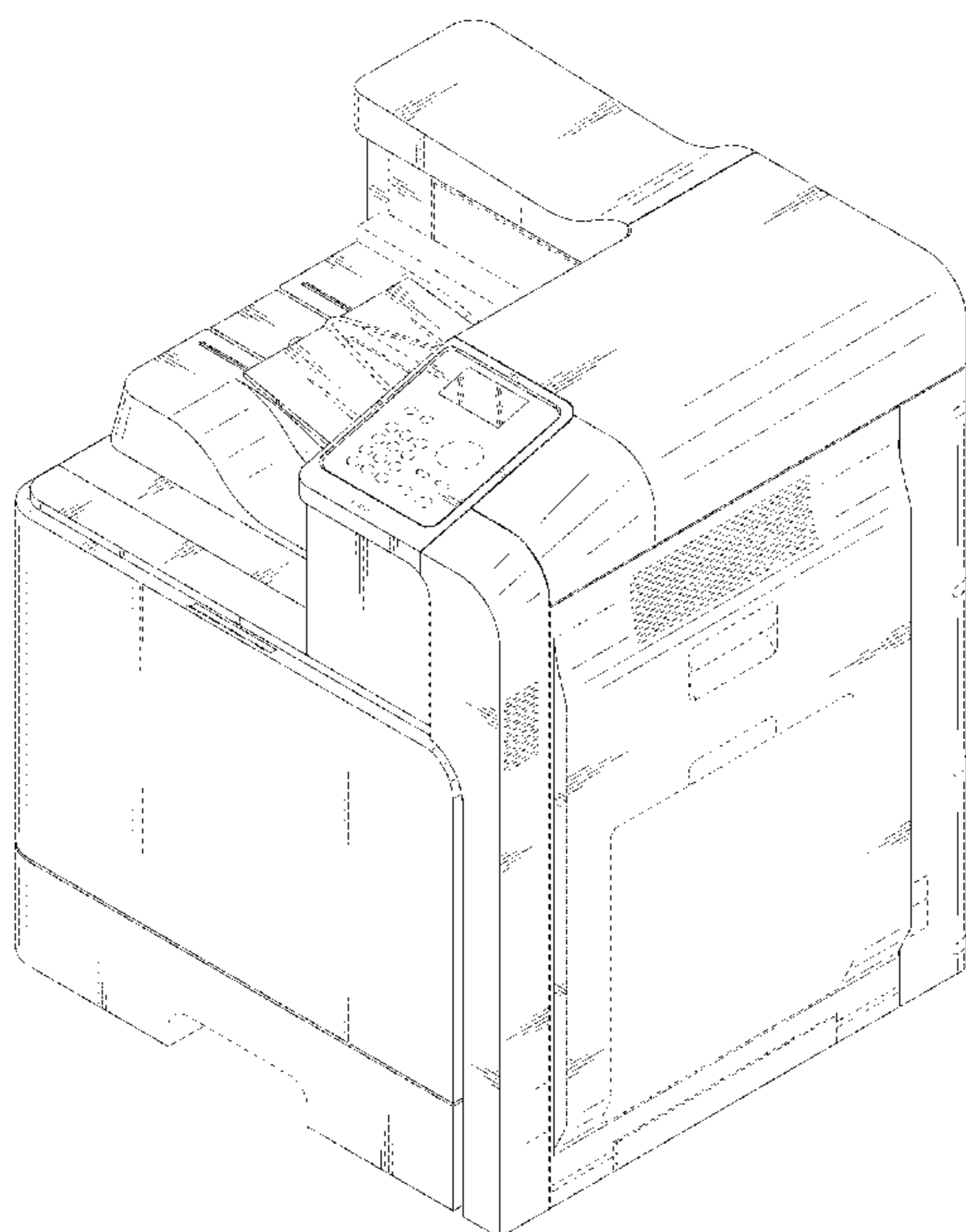


FIG. 1

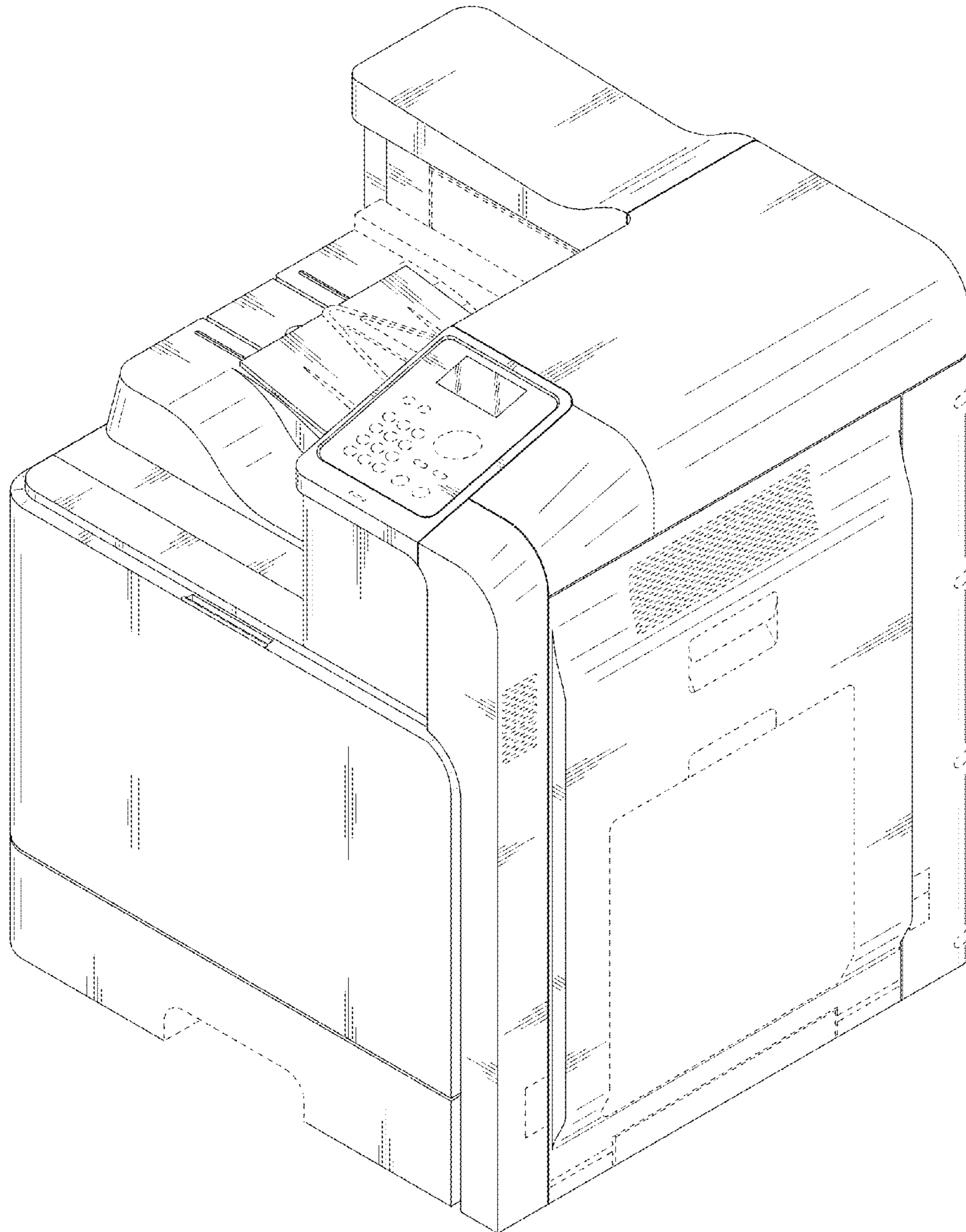


FIG. 2

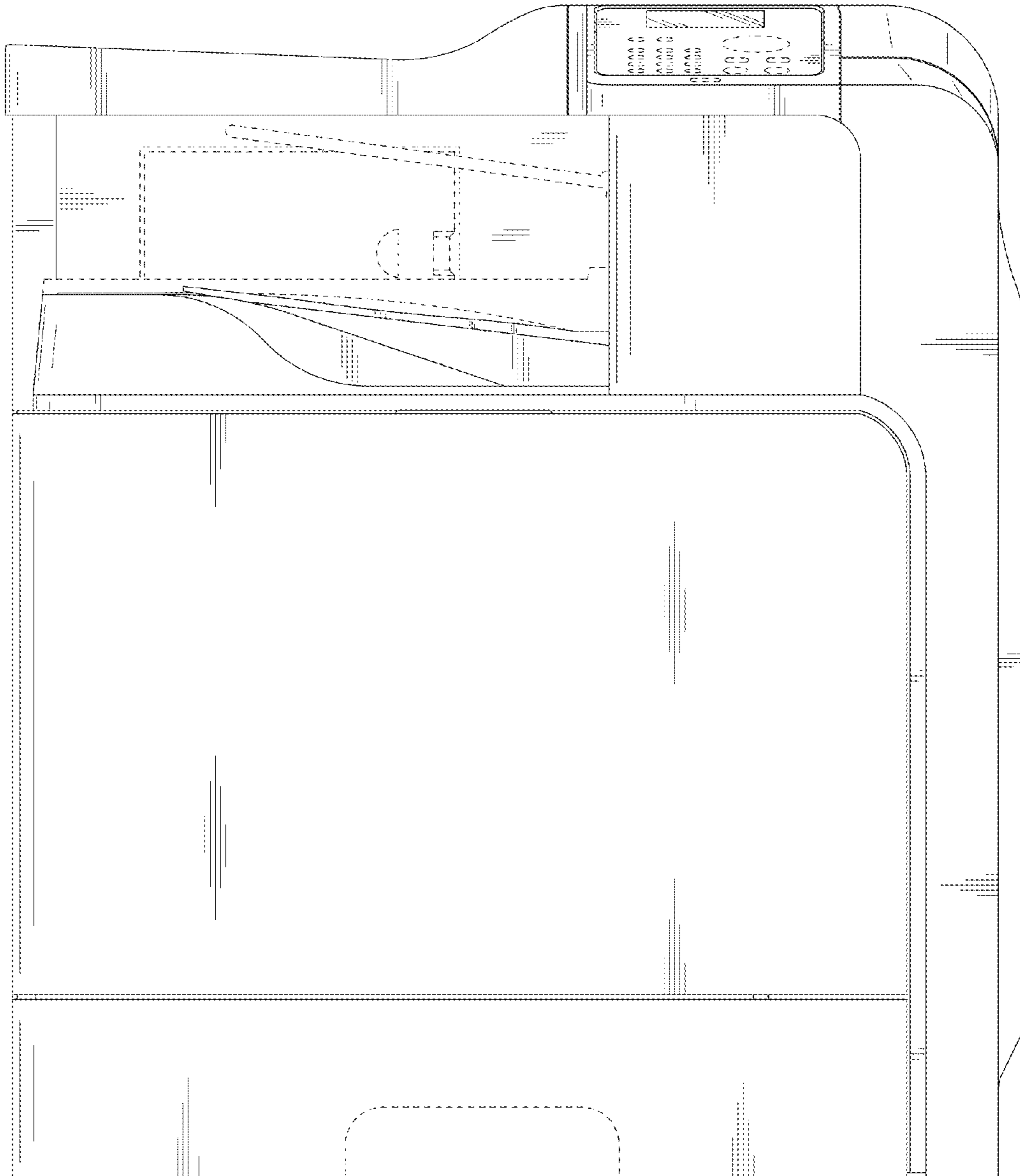


FIG. 3

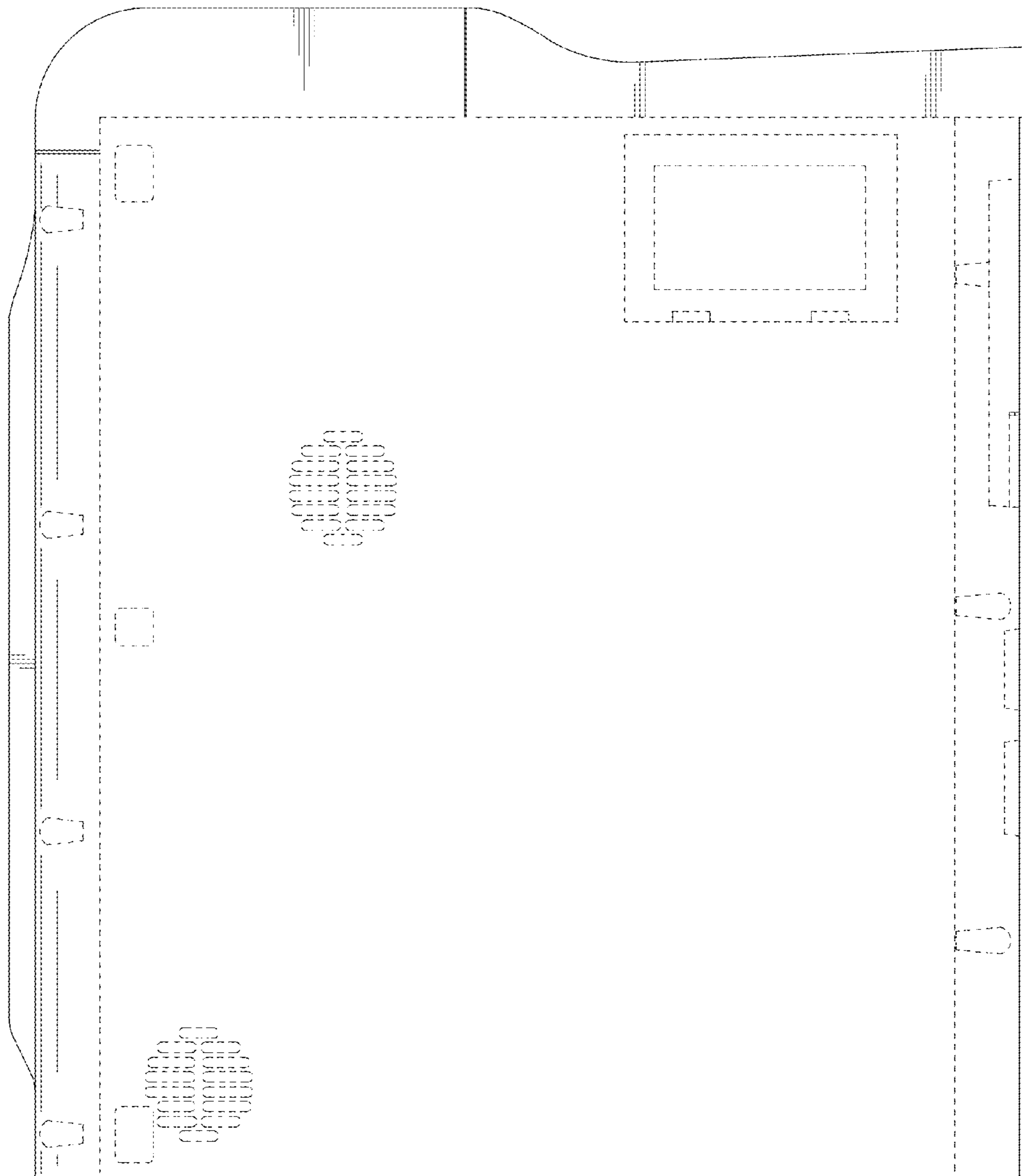


FIG. 4

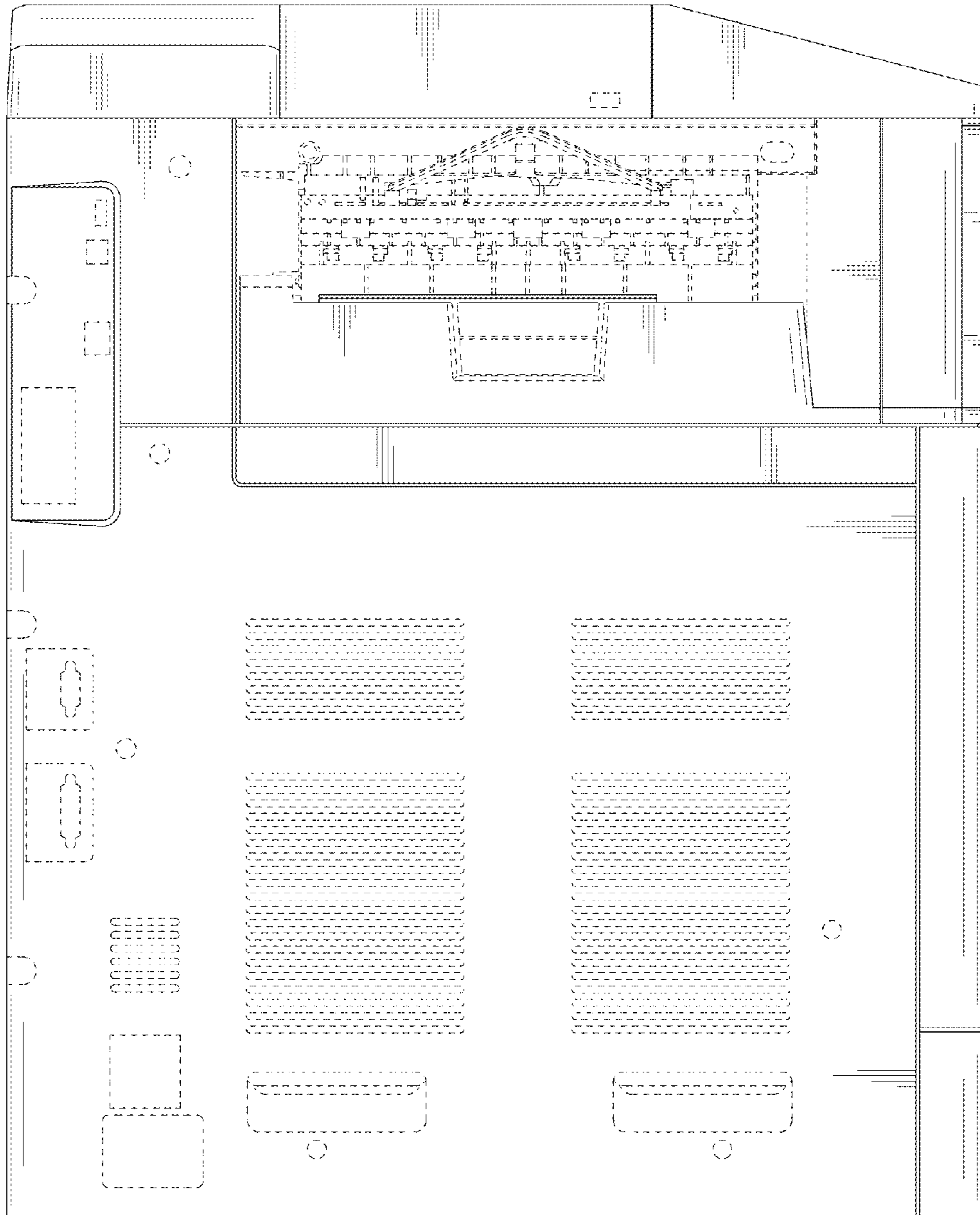


FIG. 5

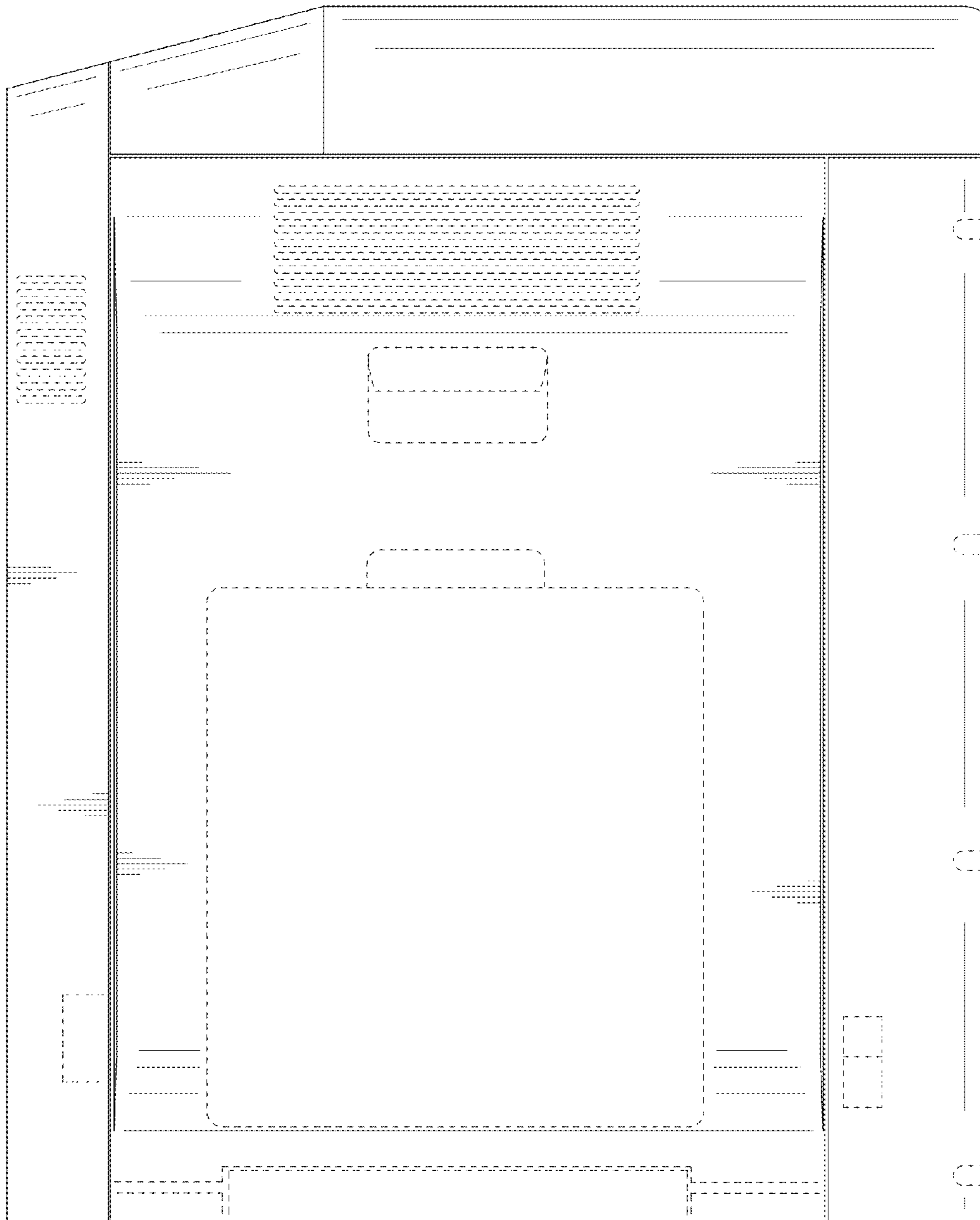


FIG. 6

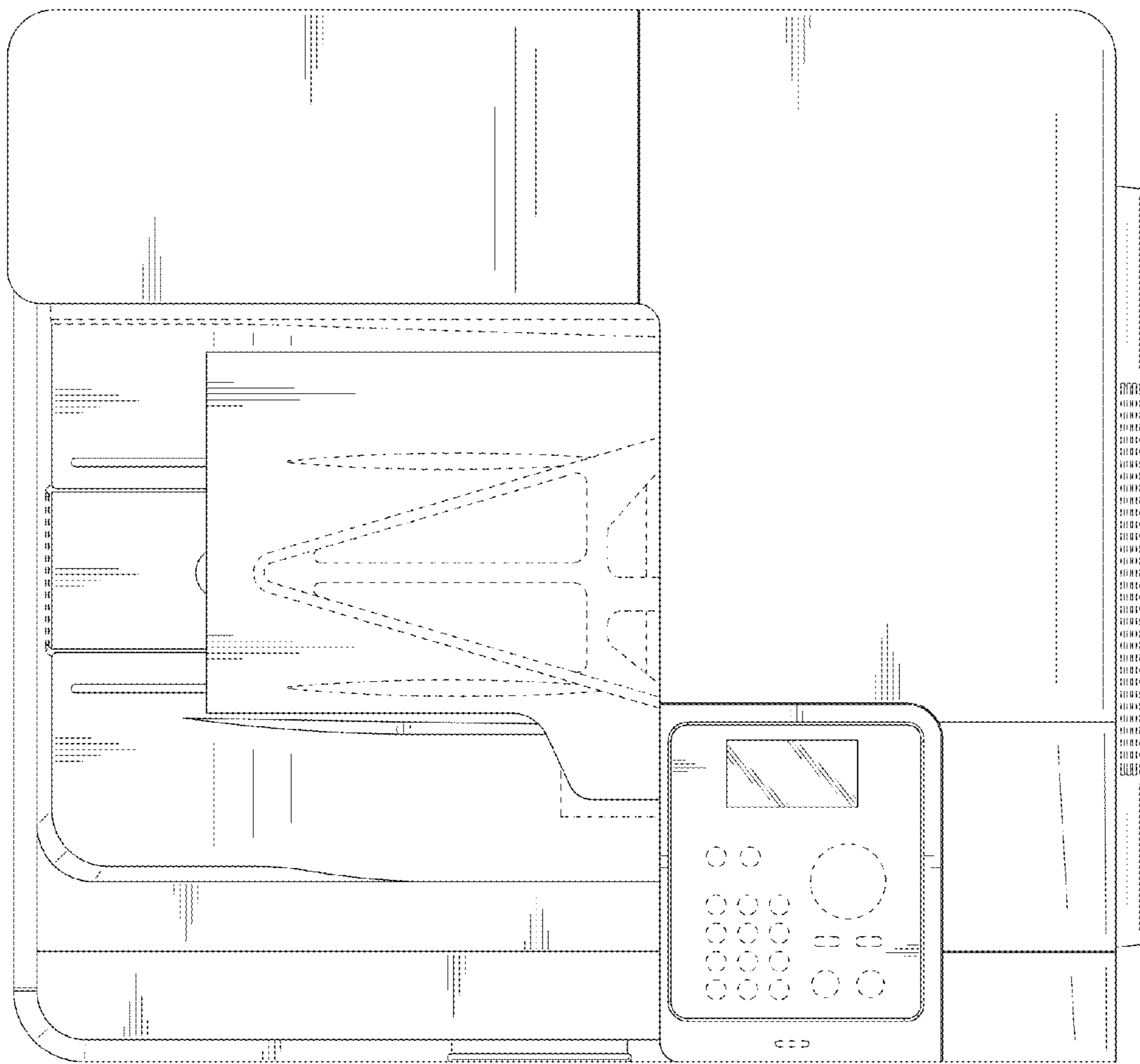


FIG. 7

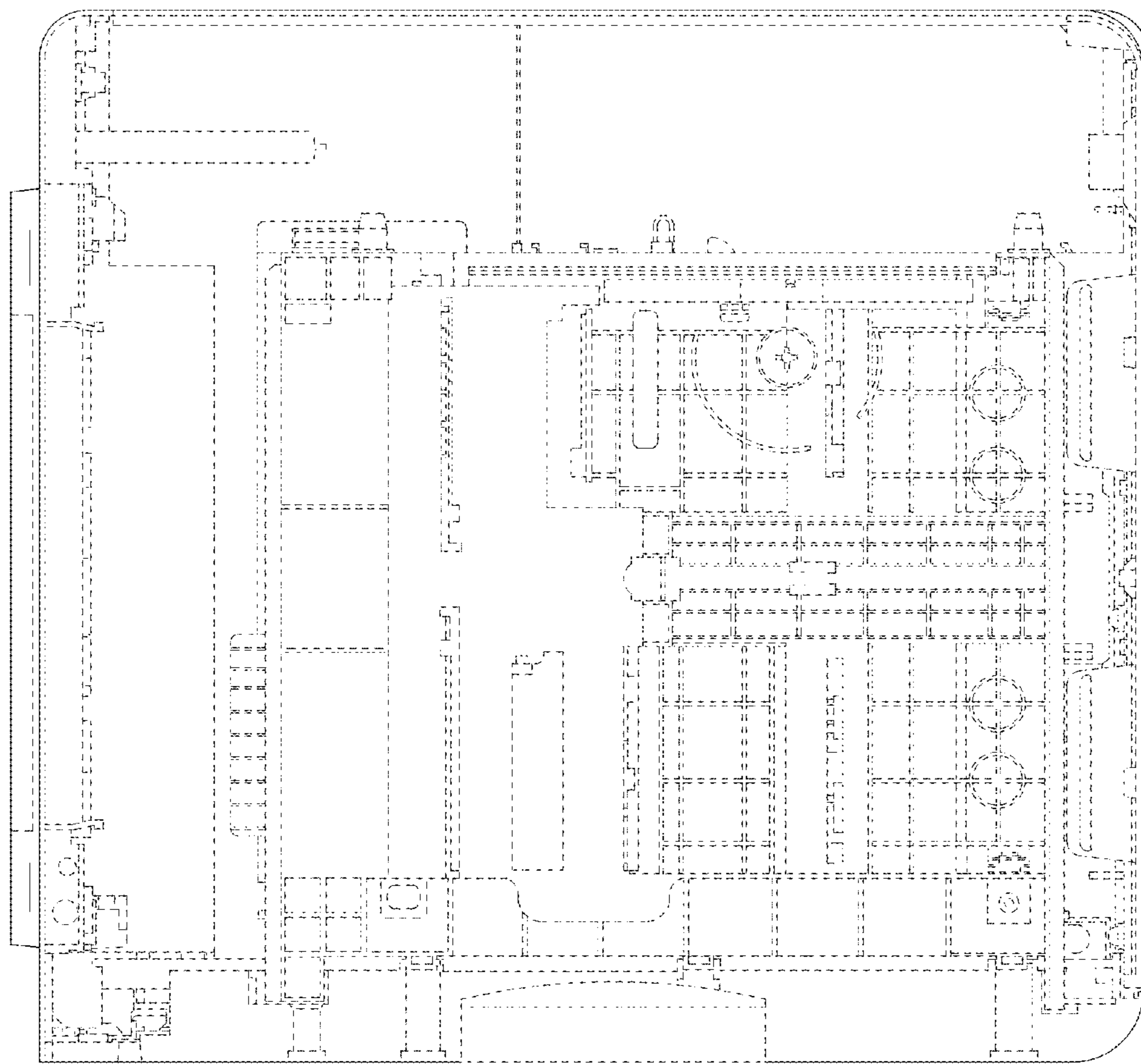


FIG. 8

