



US00D757170S

(12) **United States Design Patent**
Rafa et al.

(10) **Patent No.:** **US D757,170 S**

(45) **Date of Patent:** **** *May 24, 2016**

(54) **PRINTER**

(56)

References Cited

(71) Applicant: **Hewlett-Packard Development Company, L.P.**, Houston, TX (US)

U.S. PATENT DOCUMENTS

(72) Inventors: **Oriol Moliner Rafa**, Sant Cugat del Valles (ES); **Javier Alfonso Cesar**, Sant Cugat del Valles (ES); **Antonio Monclus Velasco**, Sant Cugat del Valles (ES); **Xavi Cortadellas**, Sant Cugat del Valles (ES); **Erik Ruessink**, Sant Cugat del Valles (ES)

5,038,169	A	*	8/1991	Marincic et al.	399/124
D354,764	S	*	1/1995	Tokuda	D18/53
D450,343	S	*	11/2001	Matsuo et al.	D18/39
6,850,719	B2	*	2/2005	Nagaya	399/82
D519,547	S	*	4/2006	Kumar et al.	D18/35.1
D650,417	S	*	12/2011	Brown et al.	D18/53
D663,768	S	*	7/2012	Yanagisawa et al.	D18/53
D666,666	S	*	9/2012	Brown et al.	D18/53
D673,212	S	*	12/2012	Okamoto	D18/53

* cited by examiner

(73) Assignee: **Hewlett-Packard Development Company, L.P.**, Houston, TX (US)

Primary Examiner — Bridget L Eland

(*) Notice: This patent is subject to a terminal disclaimer.

(74) *Attorney, Agent, or Firm* — Hewlett-Packard Patent Department

(**) Term: **14 Years**

(57) **CLAIM**

We claim the ornamental design for a printer, as shown and described.

(21) Appl. No.: **29/454,907**

DESCRIPTION

(22) Filed: **May 15, 2013**

(51) **LOC (10) Cl.** **18-02**

(52) **U.S. Cl.**
USPC **D18/53**

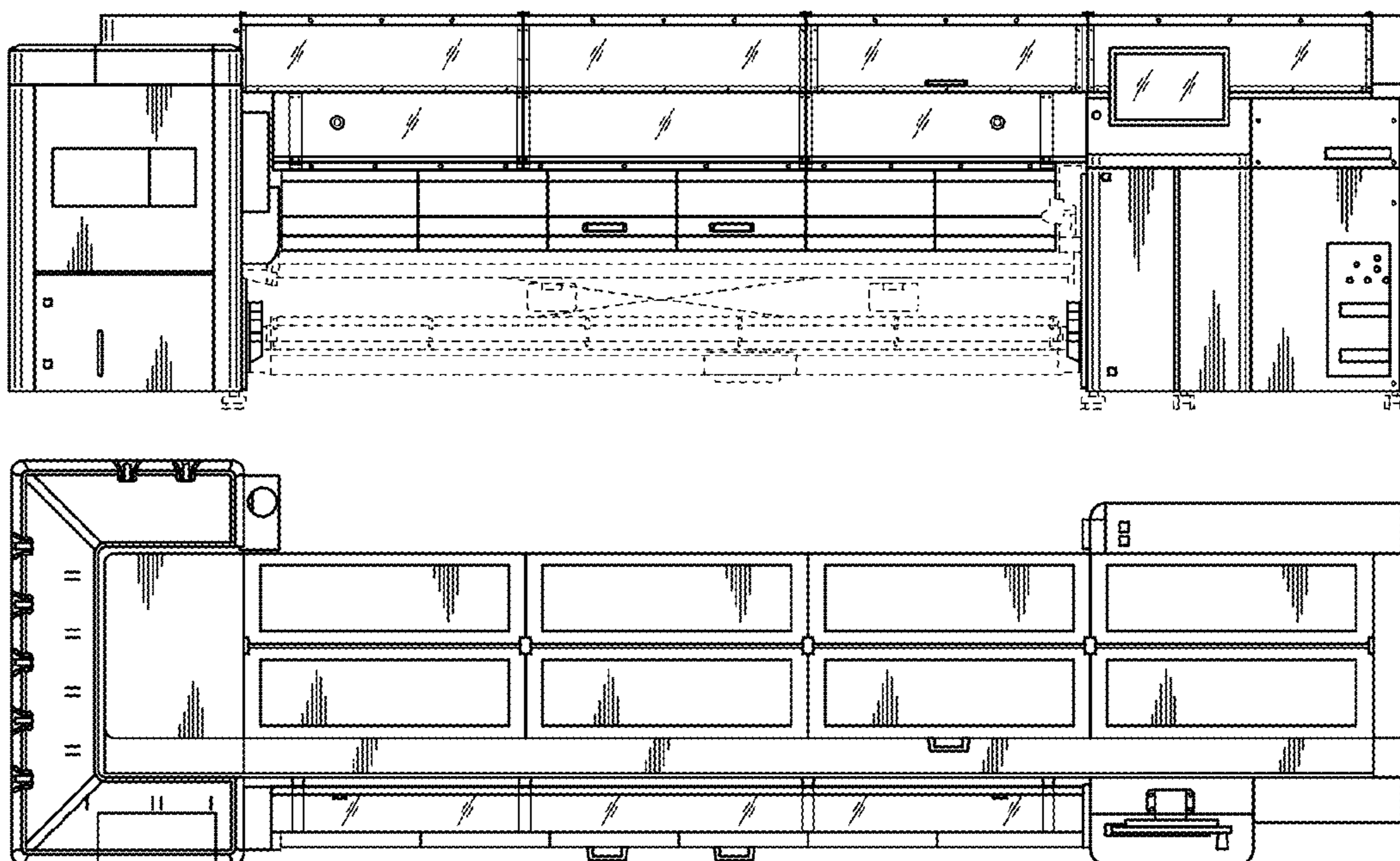
(58) **Field of Classification Search**
USPC D18/53, 56, 59, 36, 38, 39, 40, 41, 45;
D14/301, 307; 399/16, 75, 81, 131,
399/151, 361, 365, 367, 381-385, 388
CPC ... G06K 15/12; G06K 15/14; H04N 1/00204;
H04N 1/00249; H04N 1/00278

FIG. 1 is a perspective view of a printer;
FIG. 2 is a front view thereof;
FIG. 3 is a rear view thereof;
FIG. 4 is a top view thereof;
FIG. 5 is a right side view thereof; and,
FIG. 6 is a left side view thereof.

The broken lines in the views are included for the purpose of illustrating portions of the printer that form no part of the claimed design.

See application file for complete search history.

1 Claim, 6 Drawing Sheets



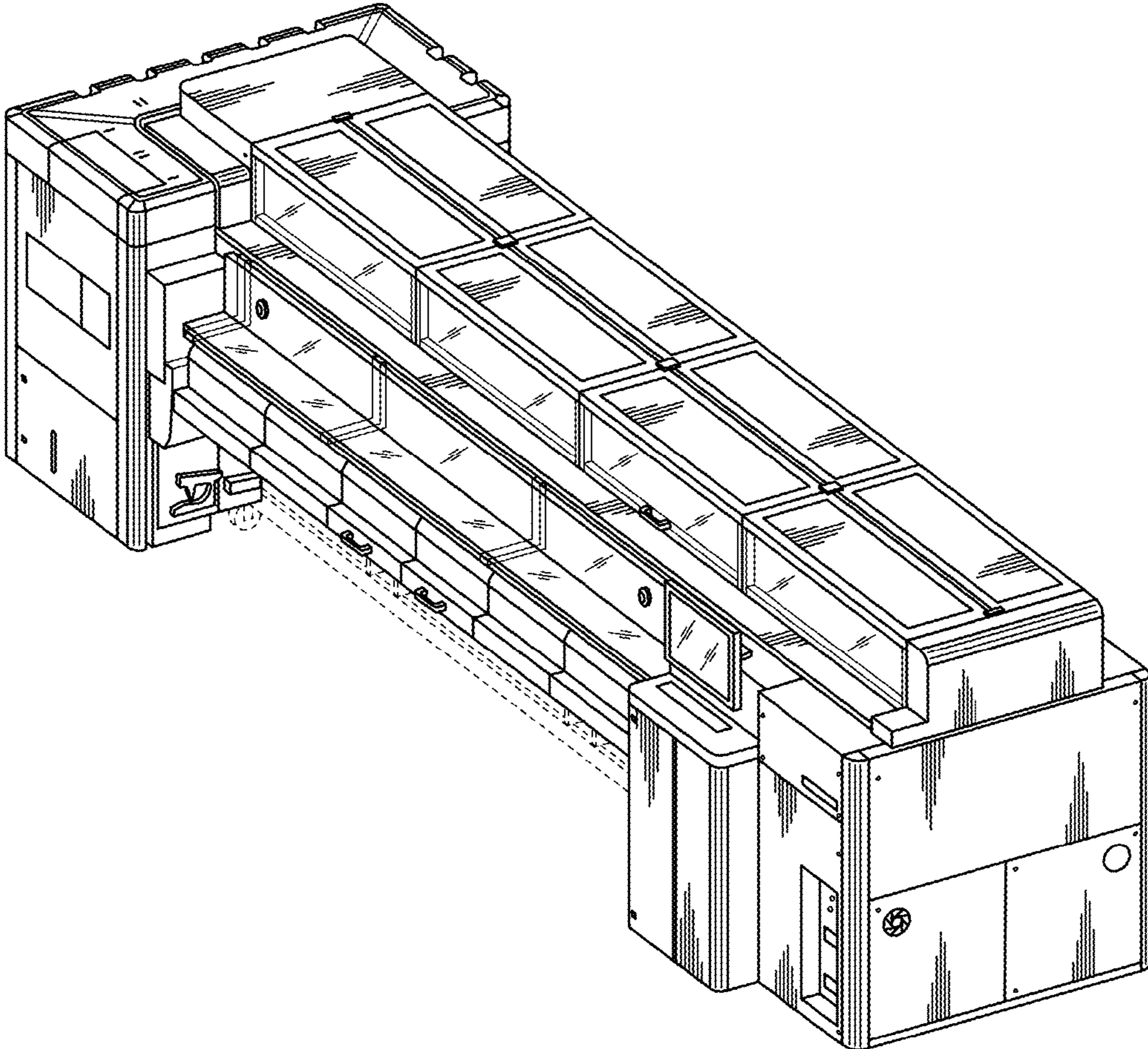


FIG. 1

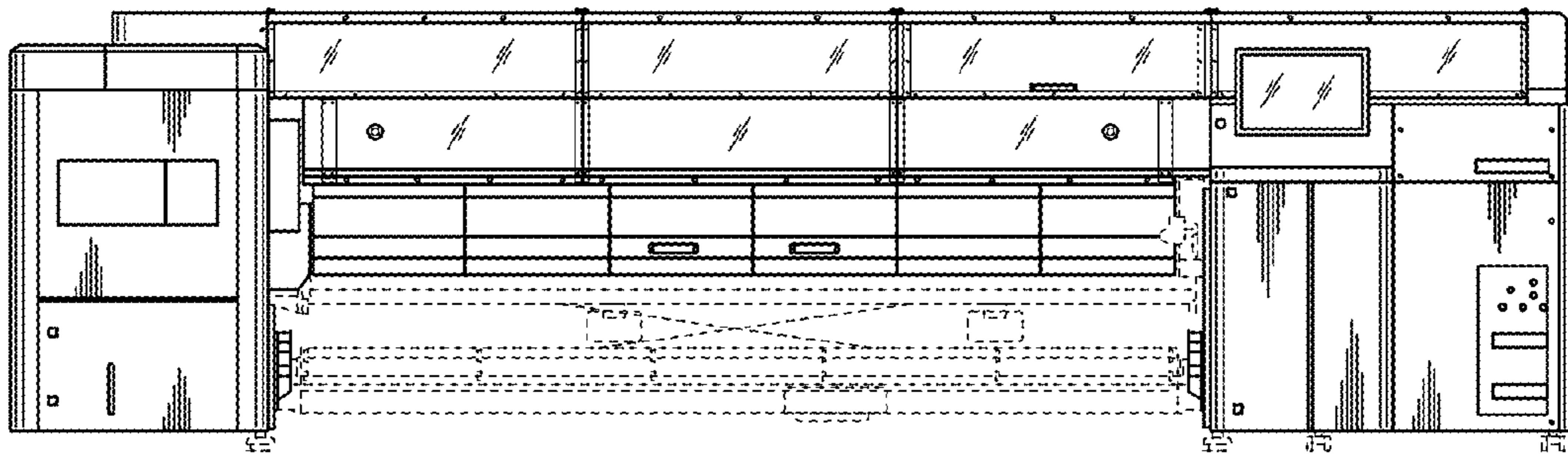


FIG. 2

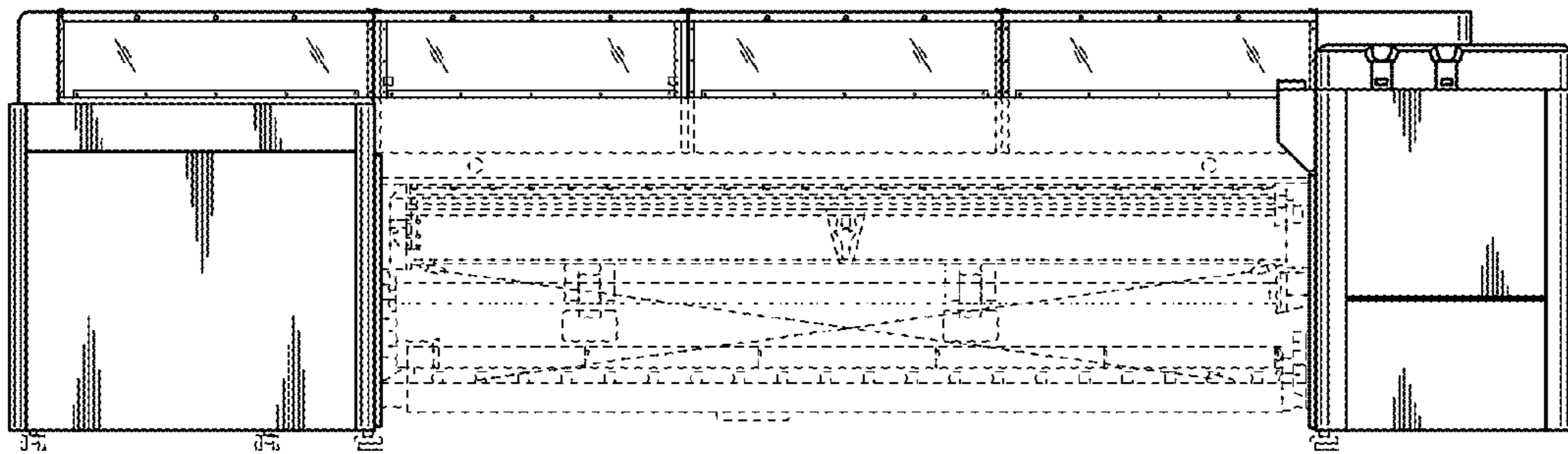


FIG. 3

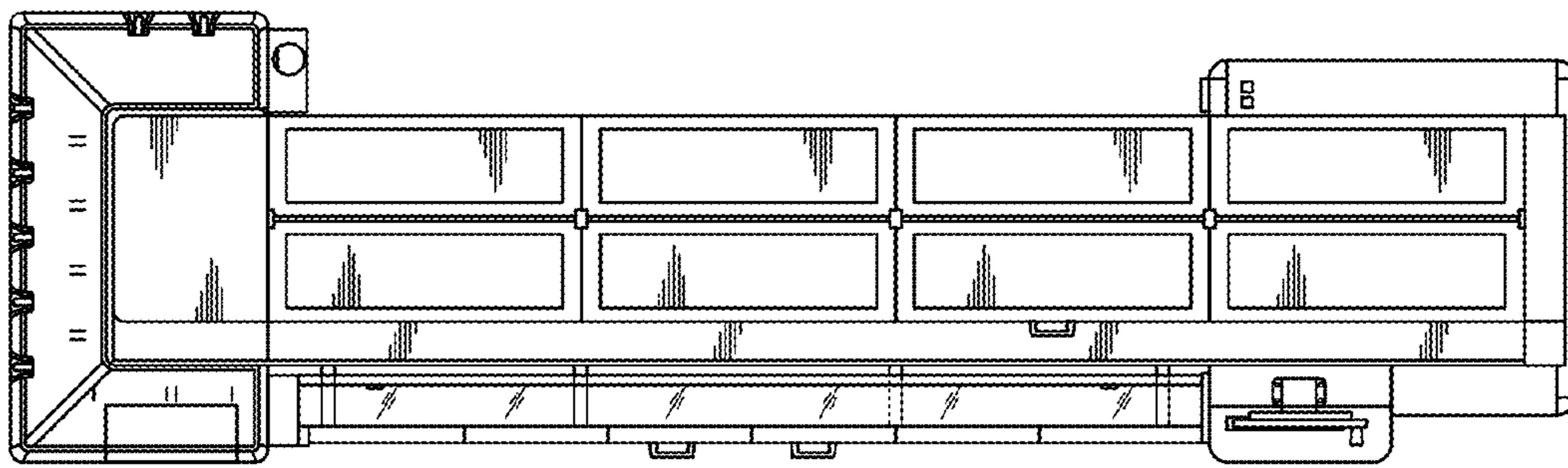


FIG. 4

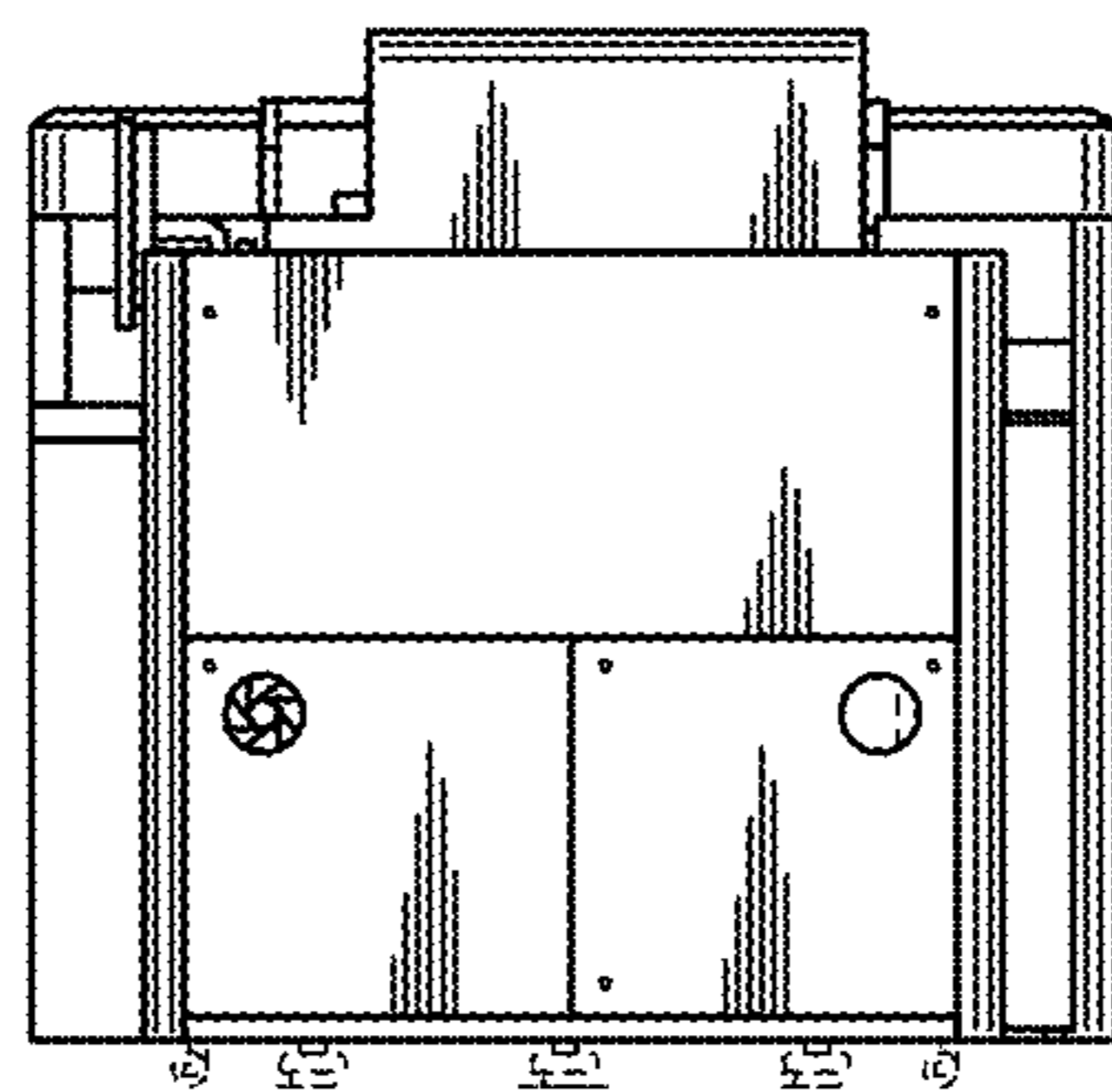


FIG. 5

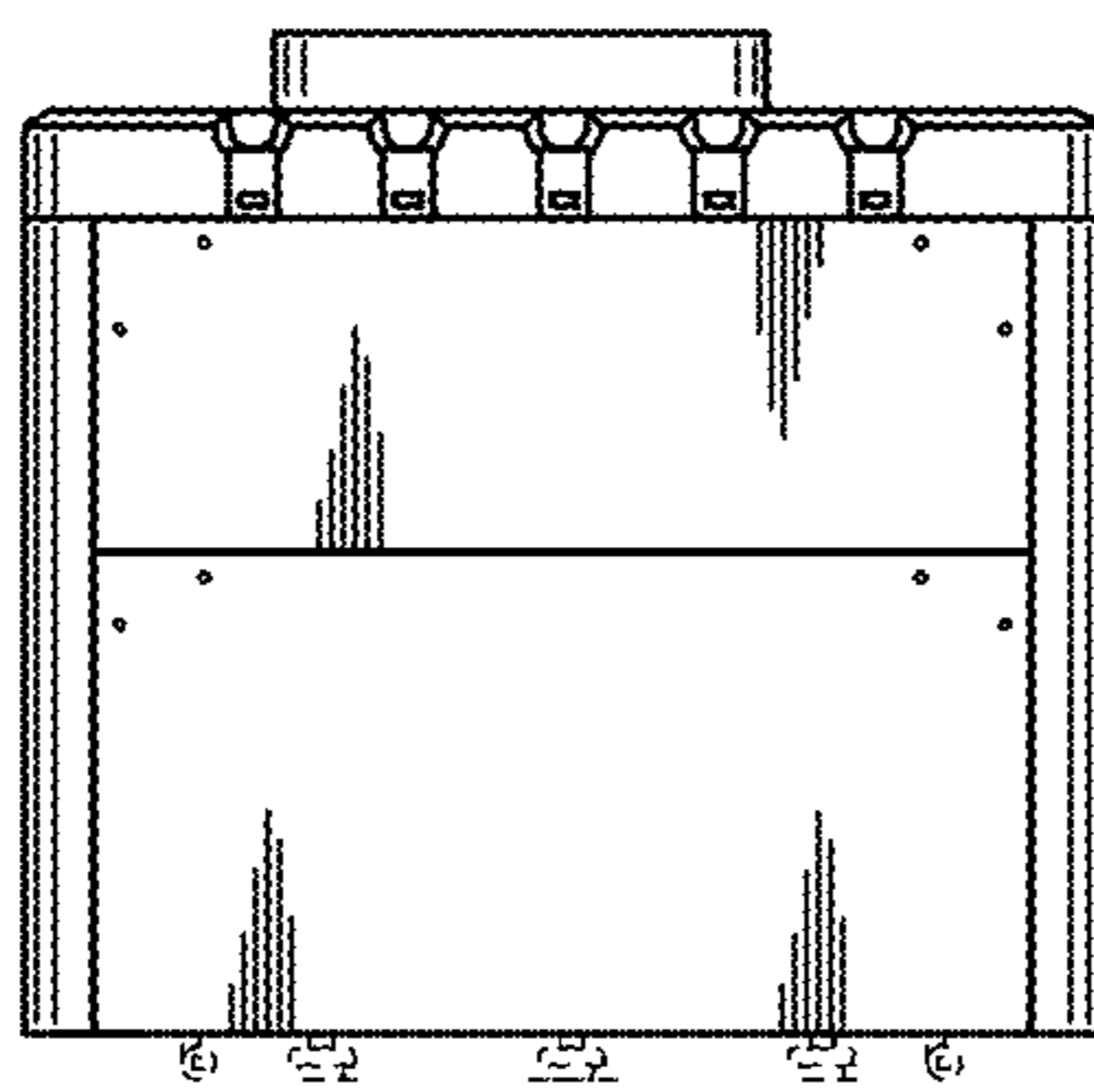


FIG. 6