



US00D757165S

(12) **United States Design Patent**
Hiraga

(10) **Patent No.:** **US D757,165 S**

(45) **Date of Patent:** **** May 24, 2016**

(54) **PRINTER**

(71) Applicant: **Funai Electric Co., Ltd.**, Osaka (JP)

(72) Inventor: **Naotake Hiraga**, Osaka (JP)

(73) Assignee: **Funai Electric Co., Ltd.**, Osaka (JP)

(**) Term: **14 Years**

(21) Appl. No.: **29/491,467**

(22) Filed: **May 21, 2014**

(30) **Foreign Application Priority Data**

Jan. 14, 2014 (JP) 2014-000429

(51) **LOC (10) Cl.** **14-02**

(52) **U.S. Cl.**
USPC **D18/50**

(58) **Field of Classification Search**
USPC D18/14, 19, 50, 53, 54, 54.1, 55, 56;
D14/420-425, 462-470; 400/613,
400/613.1-613.4, 690.1-690.4, 691-694
CPC B41J 1/46; B41J 3/36; B41J 9/26;
B41J 15/00; B41J 29/02; B41J 29/13; B41J
35/36; B41J 11/00; B41J 11/20; B41J 29/00;
B65H 35/06; G03G 15/00; G03G 21/00;
G03G 21/16; G06F 3/12; G06K 15/14
See application file for complete search history.

(56) **References Cited**

U.S. PATENT DOCUMENTS

D322,278 S * 12/1991 Kawashima et al. D18/54
D352,731 S * 11/1994 Sugimoto D18/50
D483,059 S * 12/2003 Goh et al. D18/50
D497,940 S * 11/2004 Hwang et al. D18/50
D519,151 S * 4/2006 Tashiro D18/54

D523,469 S * 6/2006 Hwang et al. D18/50
D537,114 S * 2/2007 Gant et al. D18/54
D537,869 S * 3/2007 Gant et al. D18/54
D563,413 S * 3/2008 Kuroda et al. D14/422
D610,155 S * 2/2010 Kuroda et al. D14/422
D624,545 S * 9/2010 Kuroda et al. D14/422
D643,039 S * 8/2011 Wilday et al. D14/422

* cited by examiner

Primary Examiner — Cathy Anne MacCormac

(74) *Attorney, Agent, or Firm* — Osha Liang LLP

(57) **CLAIM**

An ornamental design for a printer, as shown and described.

DESCRIPTION

FIG. 1 is a perspective view of a printer according to the invention.

FIG. 2 is a front view of the design according to the invention.

FIG. 3 is a rear view of the design according to the invention.

FIG. 4 is a right side view of the design according to the invention.

FIG. 5 is a left side view of the design according to the invention.

FIG. 6 is a top view of the design according to the invention.

FIG. 7 is a bottom view of the design according to the invention.

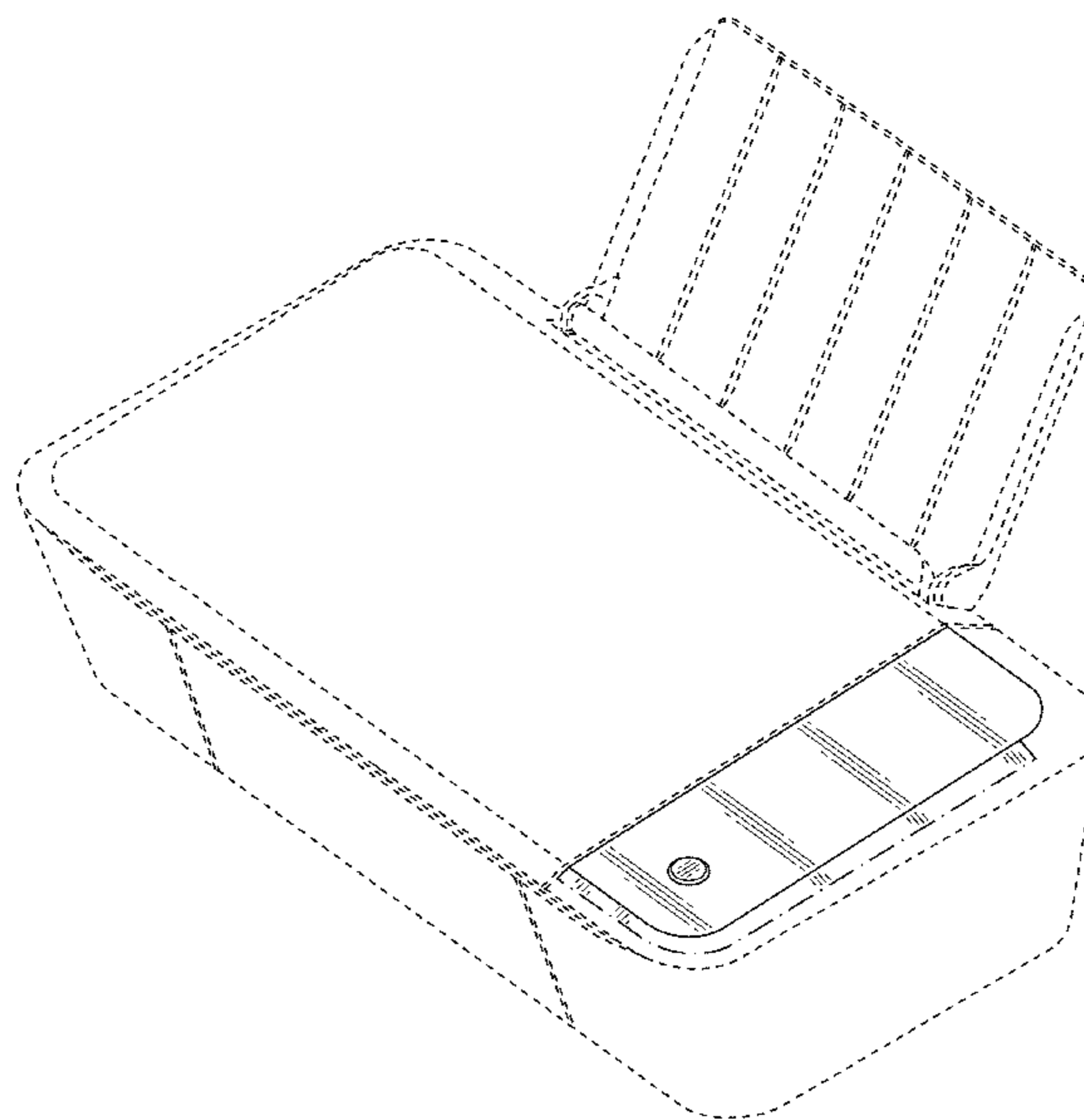
FIG. 8 is a sectional view thereof taken on line 8-8 in FIG. 6; and,

FIG. 9 is another perspective view of the design according to the invention in an alternate position.

The broken lines depict environmental subject matter and form no part of the claimed design.

The dot-dash-dot broken line represents a boundary line, is for illustration only, and forms no part of the claimed design.

1 Claim, 6 Drawing Sheets



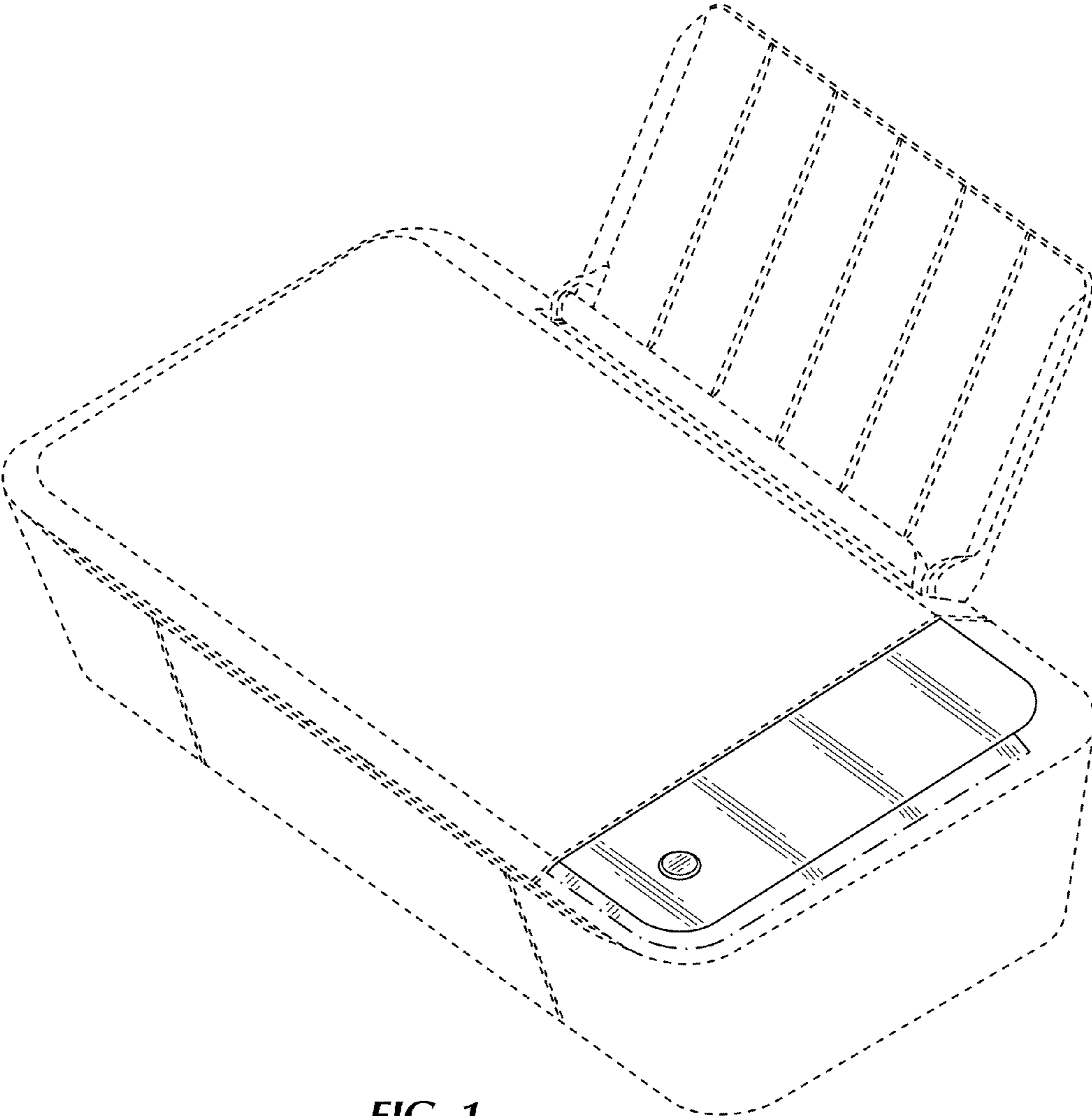


FIG. 1

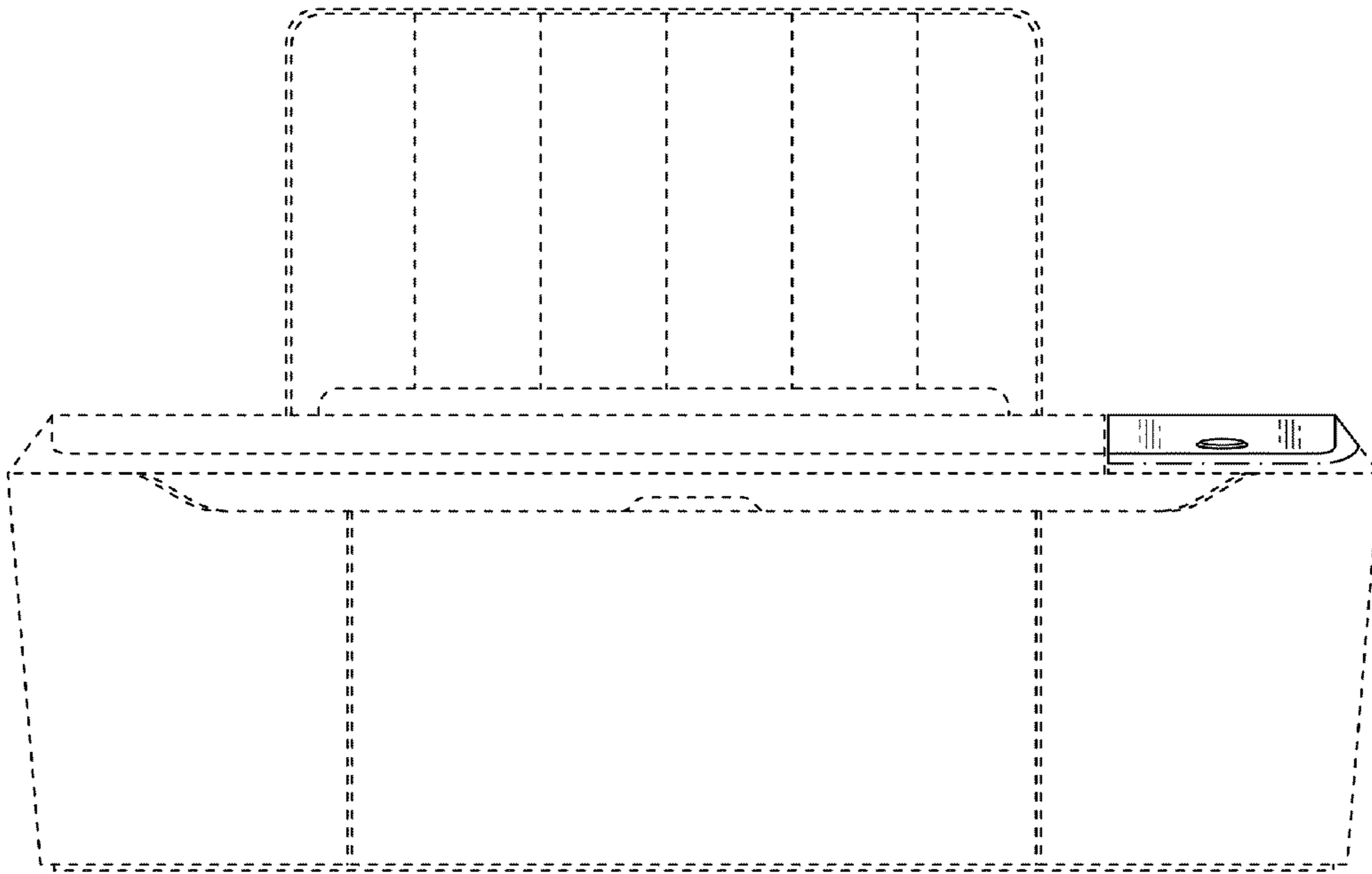


FIG. 2

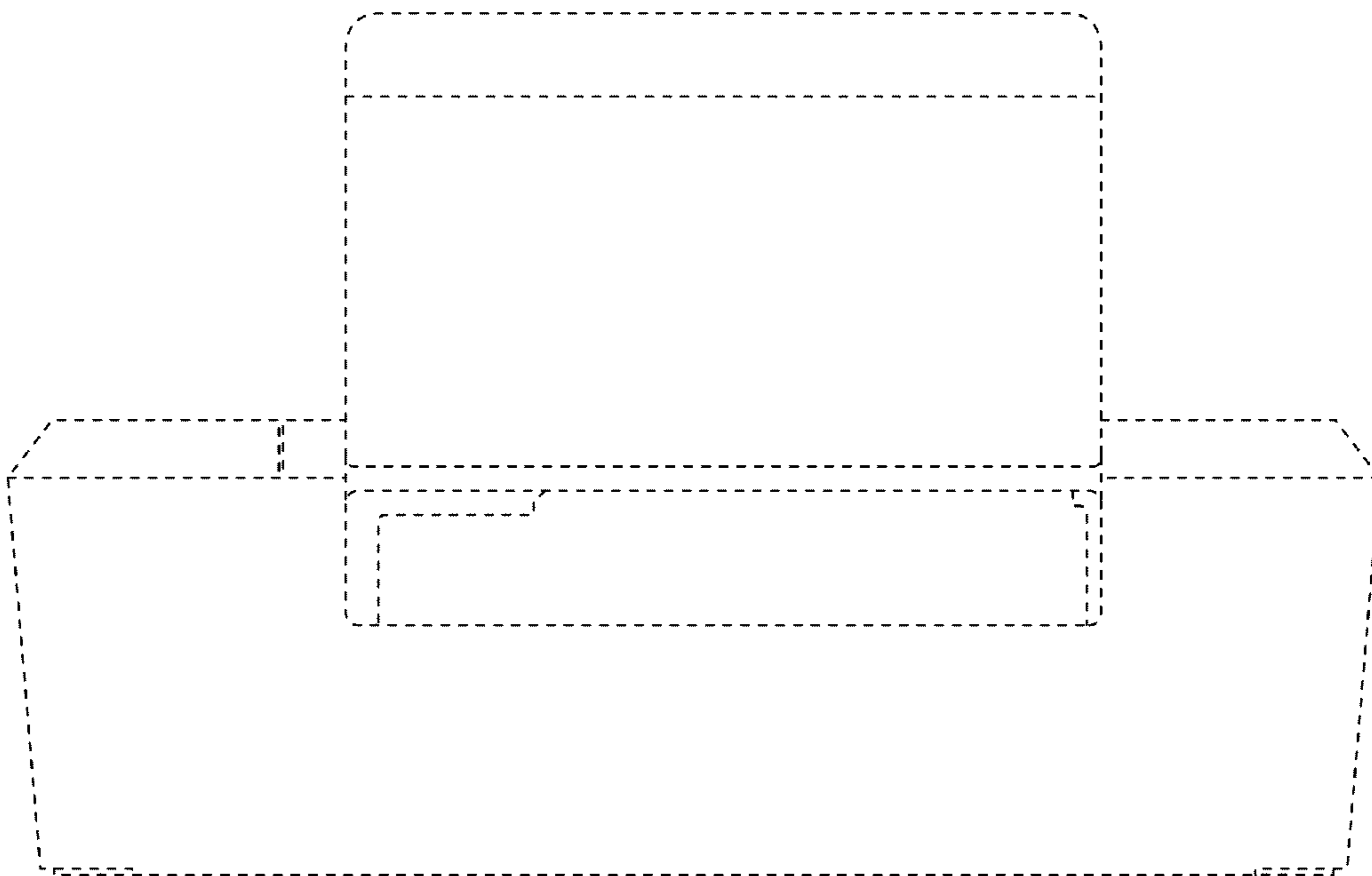


FIG. 3

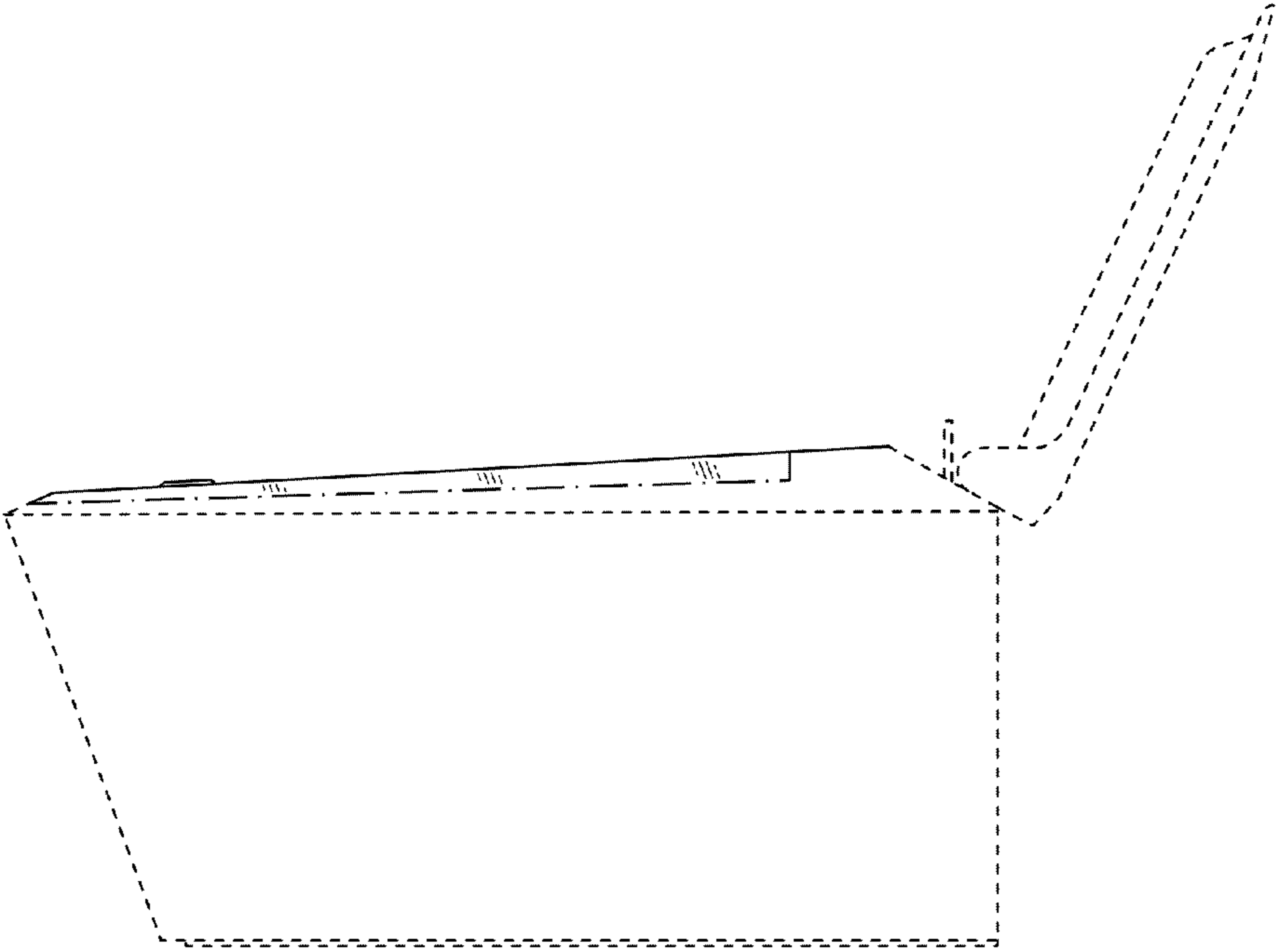


FIG. 4

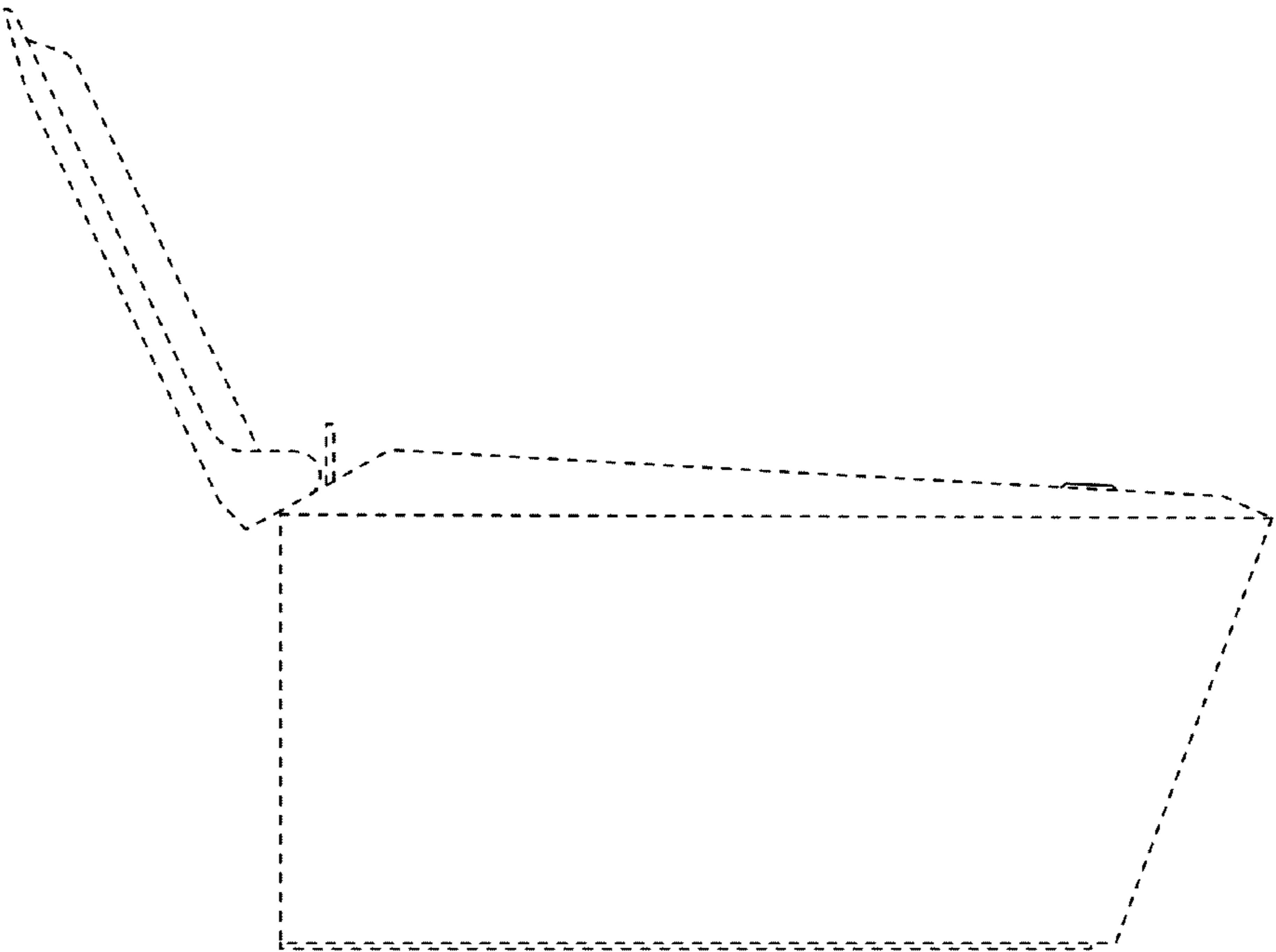


FIG. 5

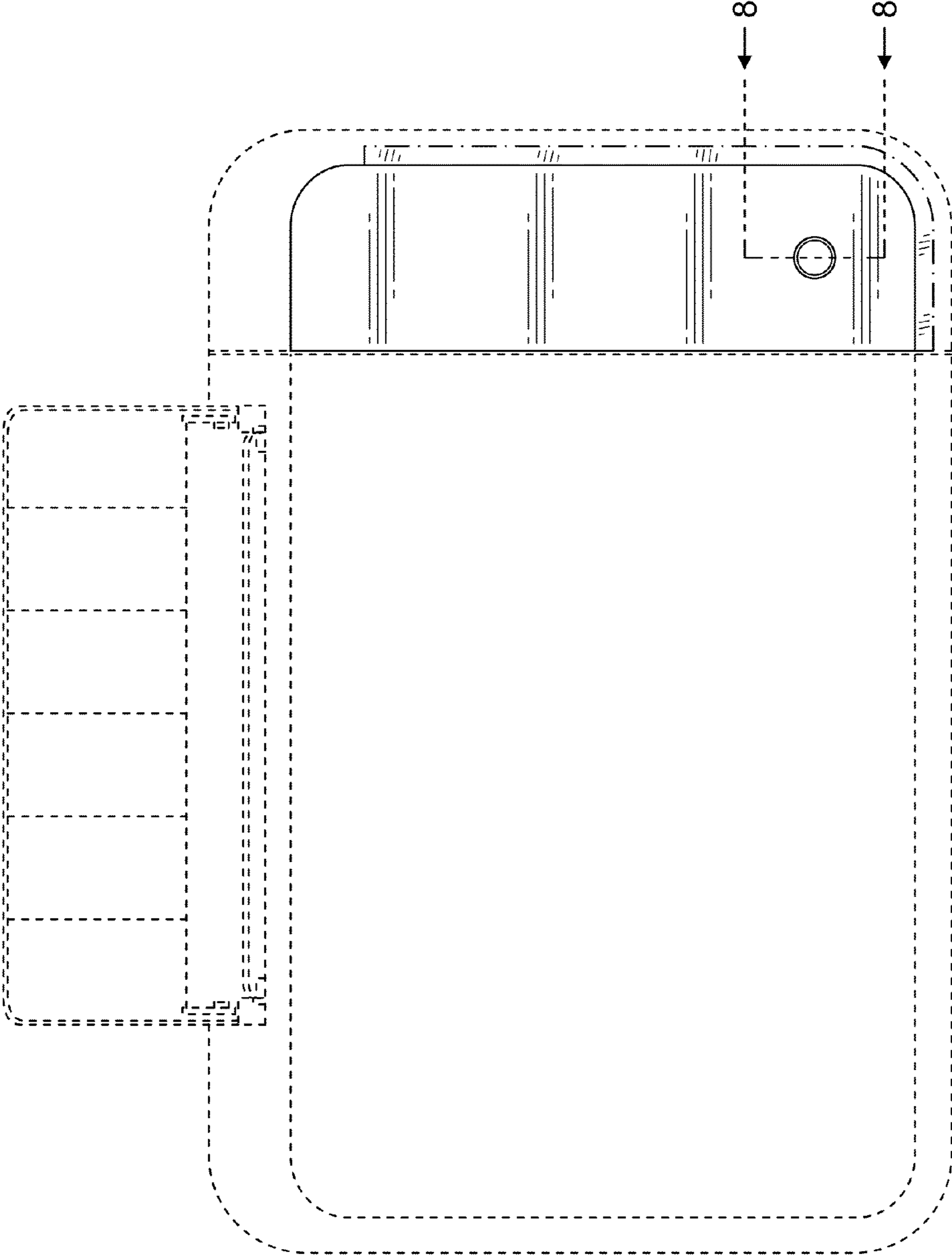


FIG. 6

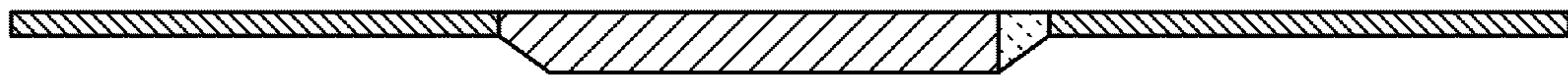


FIG. 8

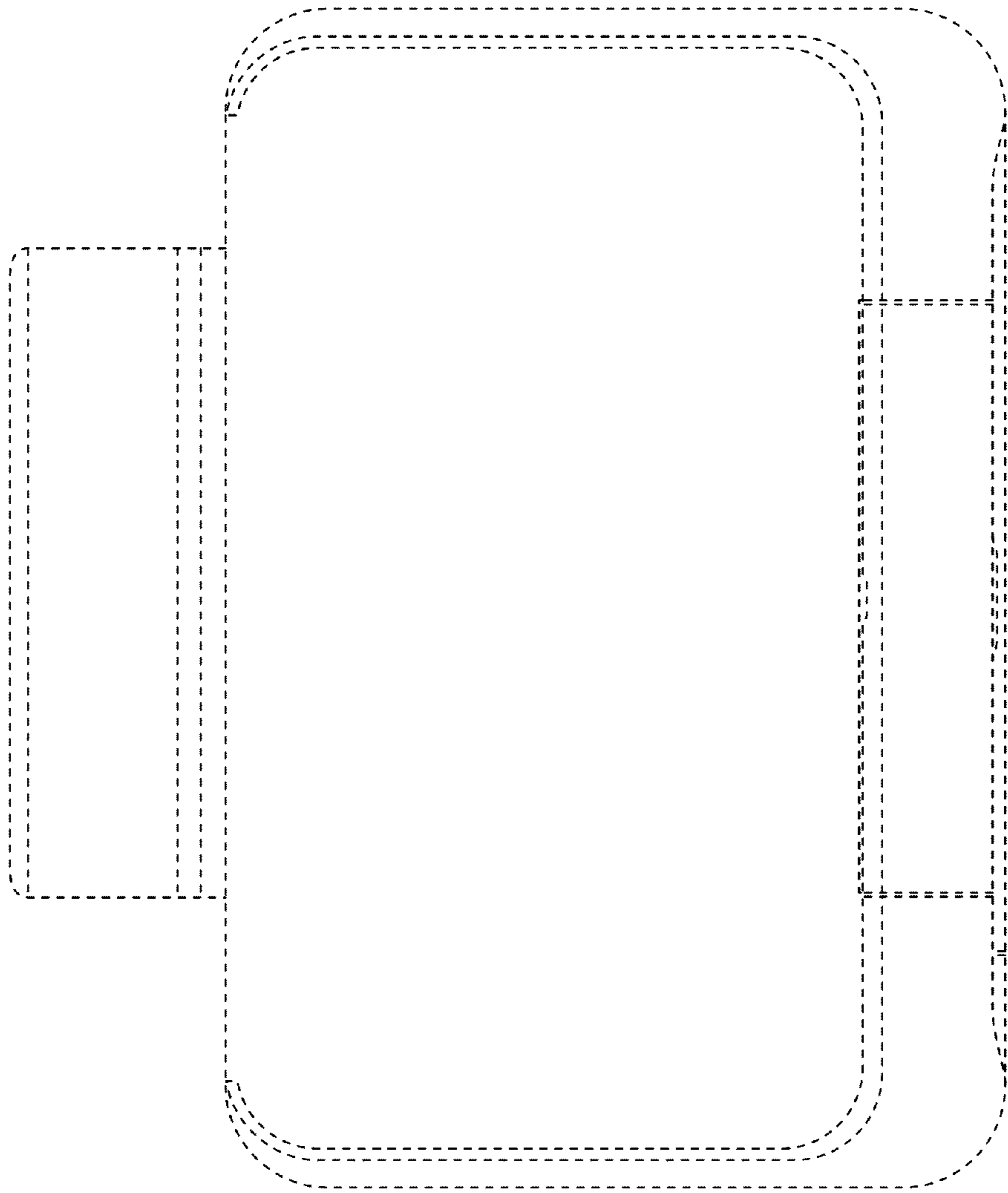


FIG. 7

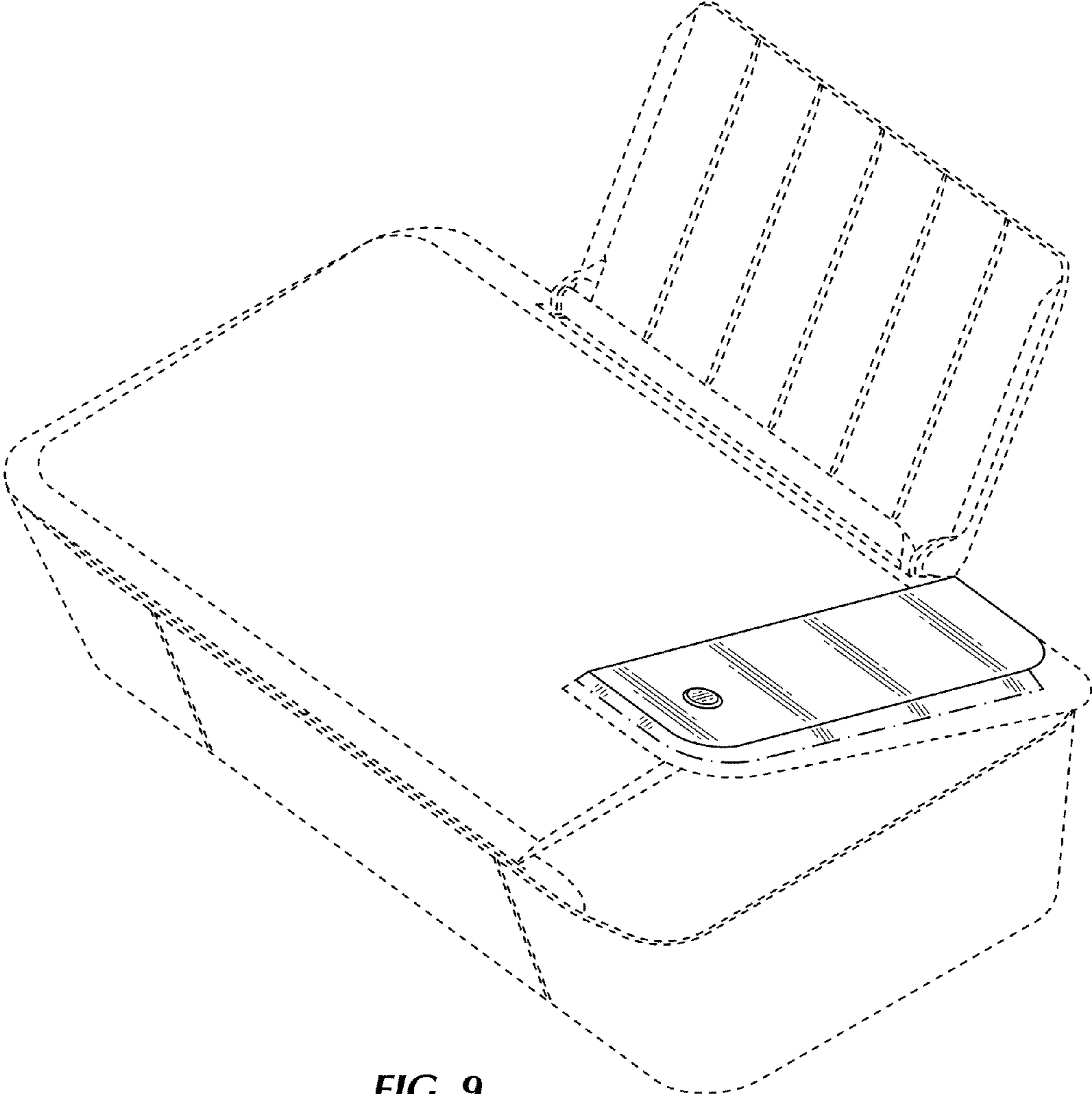


FIG. 9