



US00D757164S

(12) **United States Design Patent**
Hiraga

(10) **Patent No.:** **US D757,164 S**

(45) **Date of Patent:** **** May 24, 2016**

(54) **PRINTER**

(71) Applicant: **Funai Electric Co., Ltd.**, Osaka (JP)

(72) Inventor: **Naotake Hiraga**, Osaka (JP)

(73) Assignee: **Funai Electric Co., Ltd.**, Osaka (JP)

(**) Term: **14 Years**

(21) Appl. No.: **29/491,464**

(22) Filed: **May 21, 2014**

(30) **Foreign Application Priority Data**

Jan. 14, 2014 (JP) 2014-000428

(51) **LOC (10) Cl.** **14-02**

(52) **U.S. Cl.**
USPC **D18/50**

(58) **Field of Classification Search**
USPC D18/50, 54, 54.1, 55, 14, 19, 56;
400/613, 613.1–613.4, 690.1–690.4,
400/691–694
CPC B41J 1/46; B41J 3/35; B41J 9/26;
B41J 11/00; B41J 11/20; B41J 29/00; B41J
29/02; B41J 29/13; B41J 35/36; B65H 35/06;
G03G 15/00; G03G 21/00; G03G 21/16;
G06F 3/12; G06K 15/14
See application file for complete search history.

(56) **References Cited**

U.S. PATENT DOCUMENTS

D322,278 S * 12/1991 Kawashima et al. D18/54
D352,731 S * 11/1994 Sugimoto D18/50

D483,059 S * 12/2003 Goh et al. D18/50
D497,940 S * 11/2004 Hwang et al. D18/50
D519,151 S * 4/2006 Tashiro D18/54
D523,469 S * 6/2006 Hwang et al. D18/50
D537,114 S * 2/2007 Gant et al. D18/54
D537,869 S * 3/2007 Gant et al. D18/54
D563,413 S * 3/2008 Kuroda et al. D14/422
D610,155 S * 2/2010 Kuroda et al. D14/422
D624,545 S * 9/2010 Kuroda et al. D14/422
D643,039 S * 8/2011 Wilday et al. D14/422

* cited by examiner

Primary Examiner — Cathy Anne MacCormac

(74) *Attorney, Agent, or Firm* — Osha Liang LLP

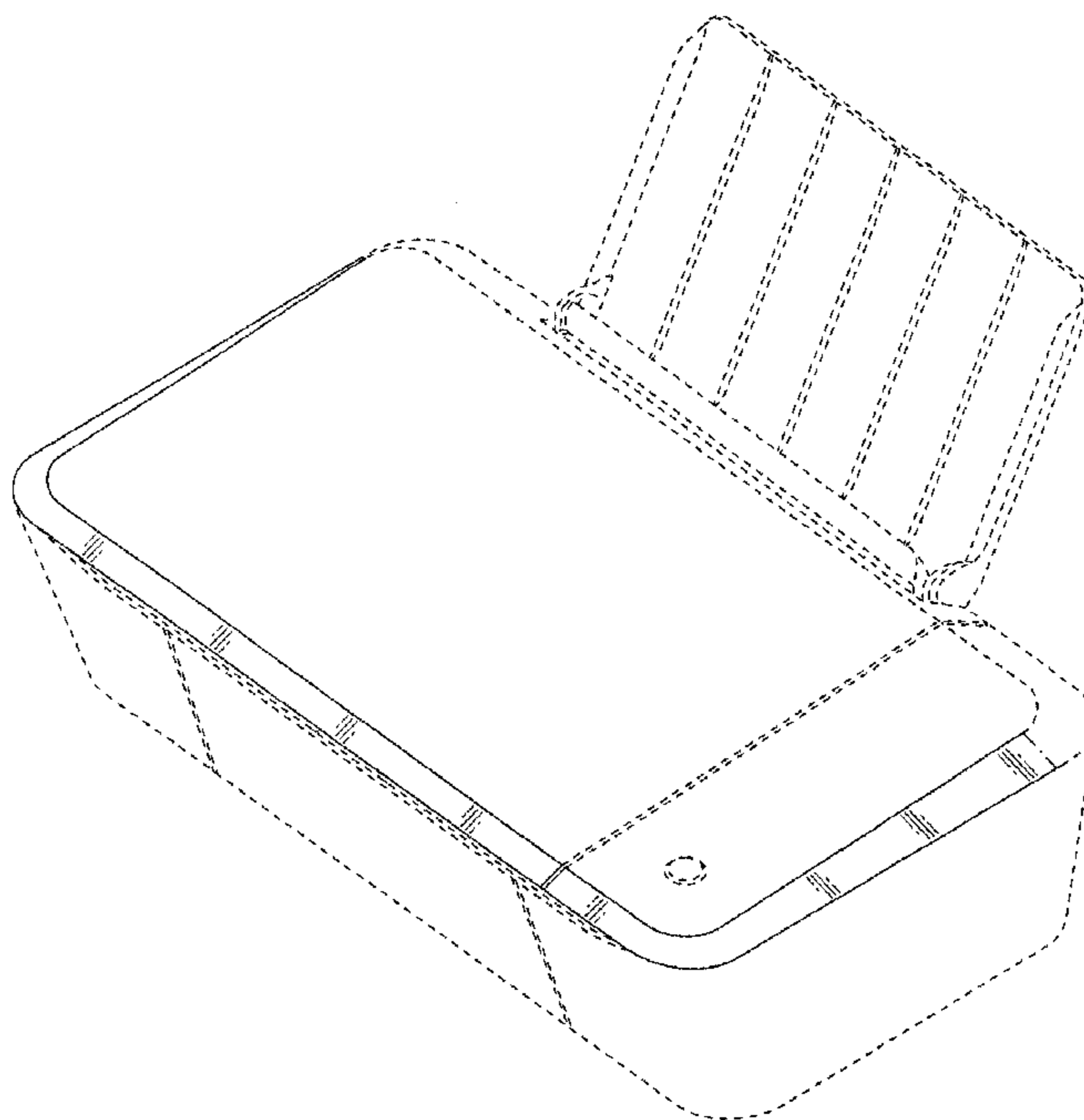
(57) **CLAIM**

An ornamental design for a printer, as shown and described.

DESCRIPTION

FIG. 1 is a perspective view of a printer according to the invention.
FIG. 2 is a front view of the design according to the invention.
FIG. 3 is a rear view of the design according to the invention.
FIG. 4 is a right side view of the design according to the invention.
FIG. 5 is a left side view of the design according to the invention.
FIG. 6 is a top view of the design according to the invention.
FIG. 7 is a bottom view of the design according to the invention; and,
FIG. 8 is another perspective view of the design according to the invention in an alternate position.
The broken lines depict environmental subject matter and form no part of the claimed design.

1 Claim, 6 Drawing Sheets



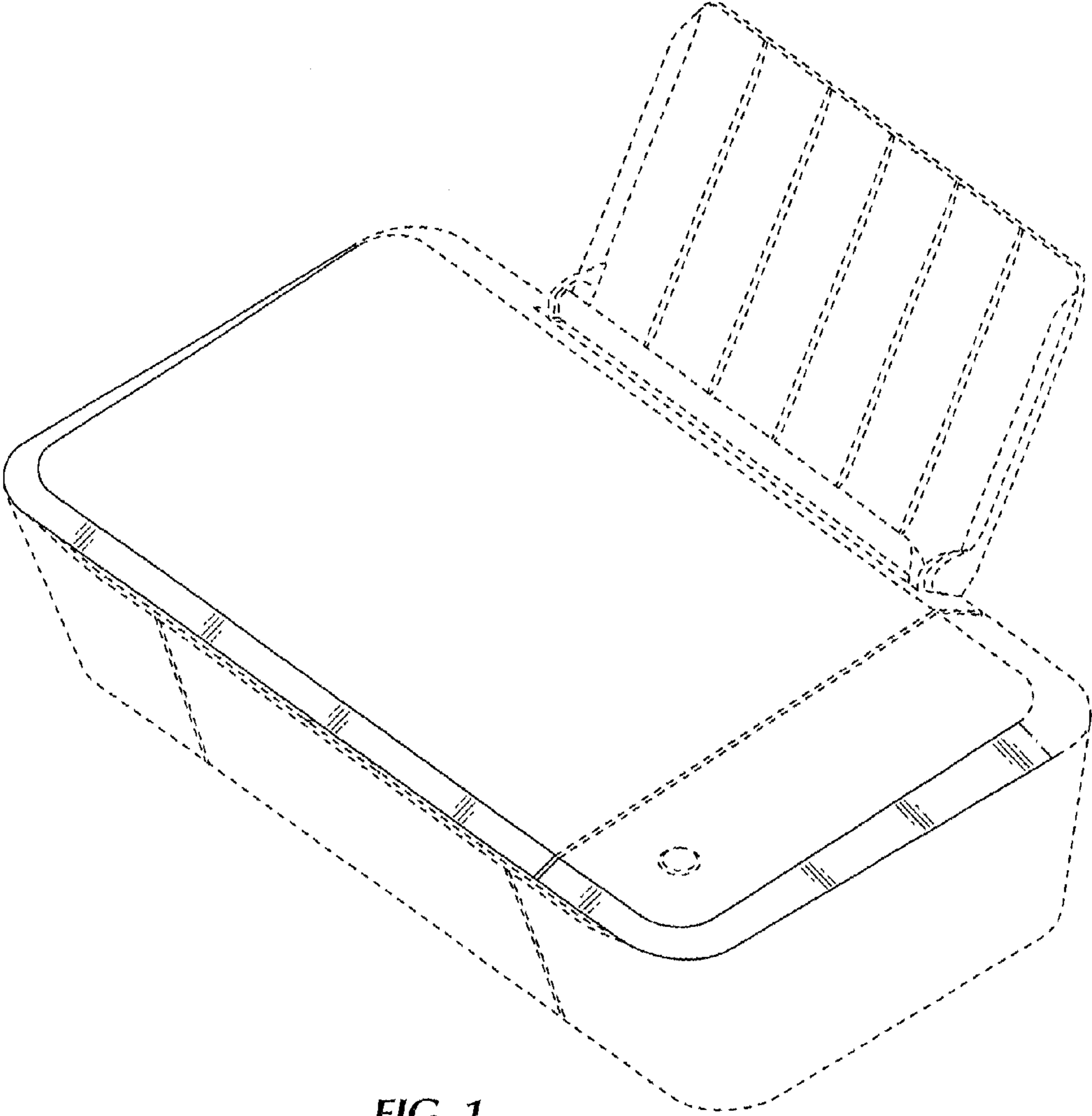


FIG. 1

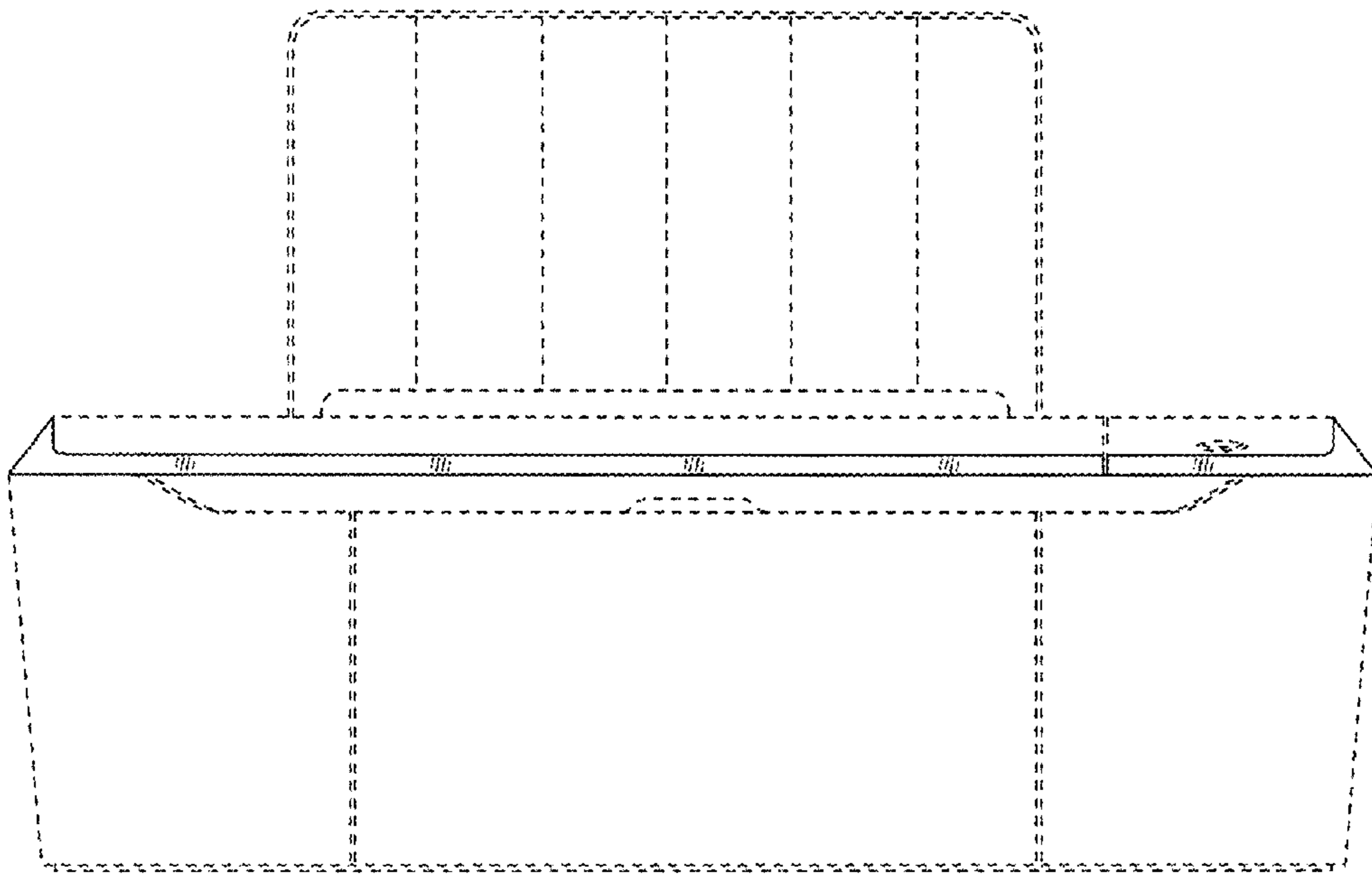


FIG. 2

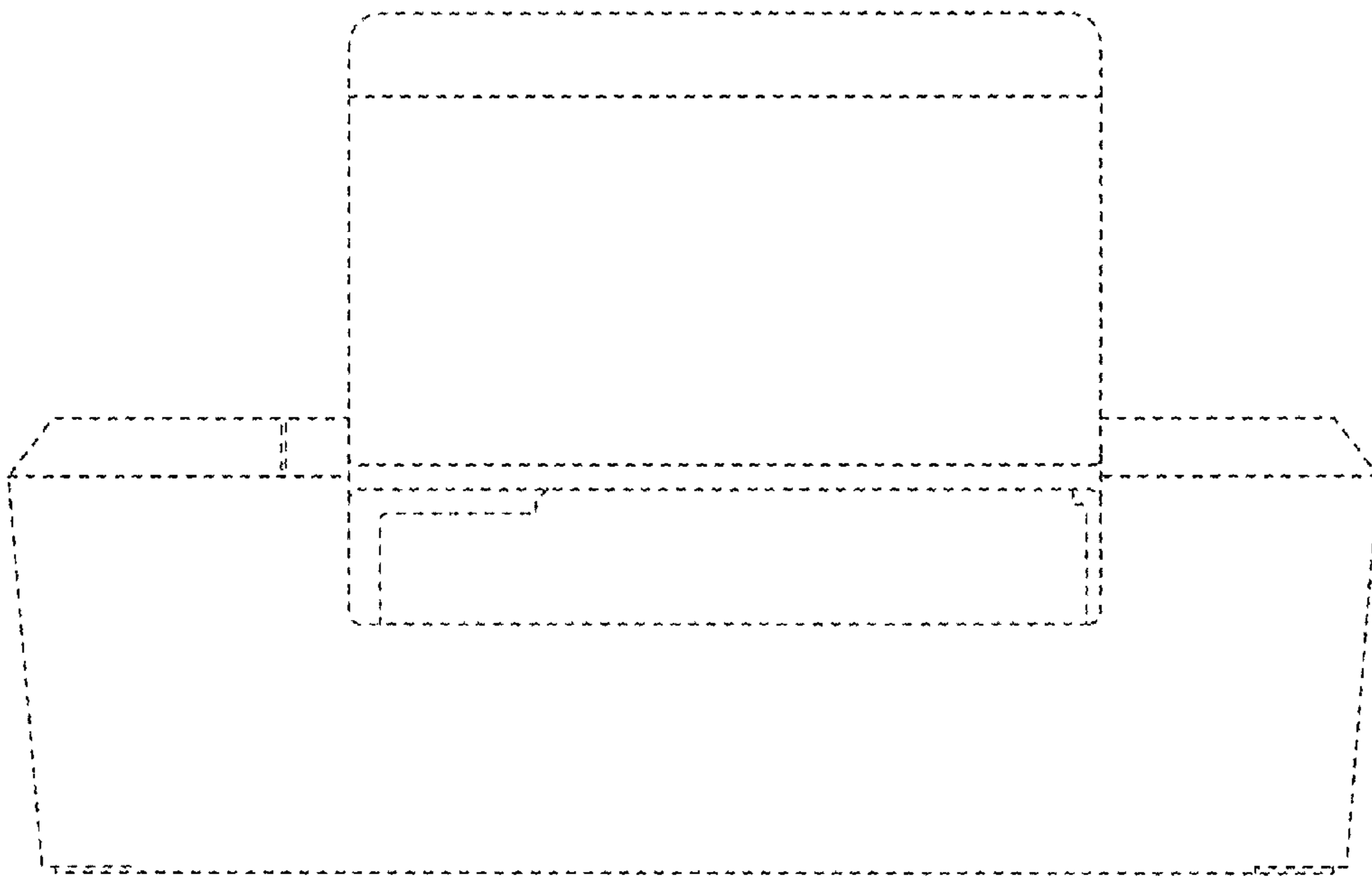


FIG. 3

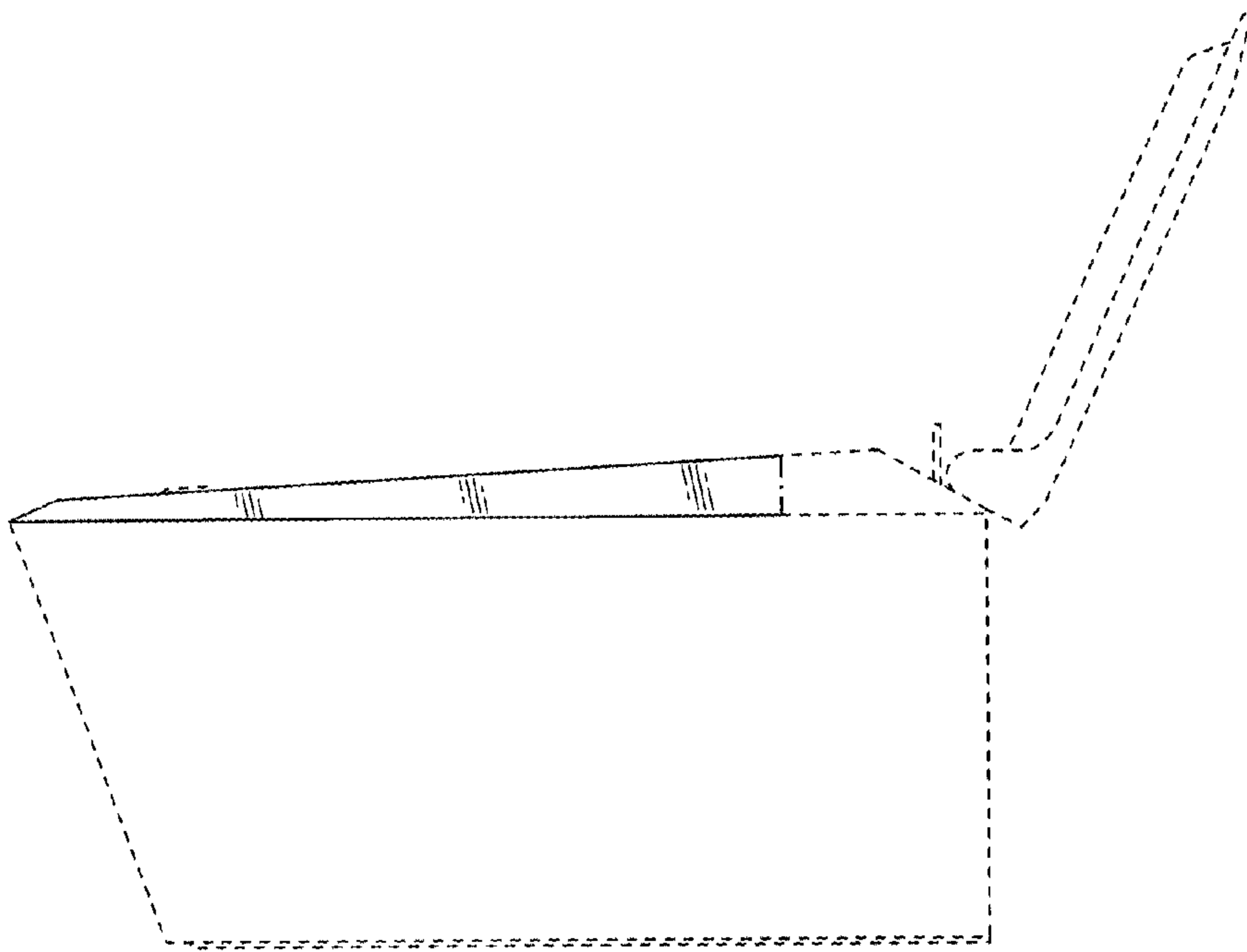


FIG. 4

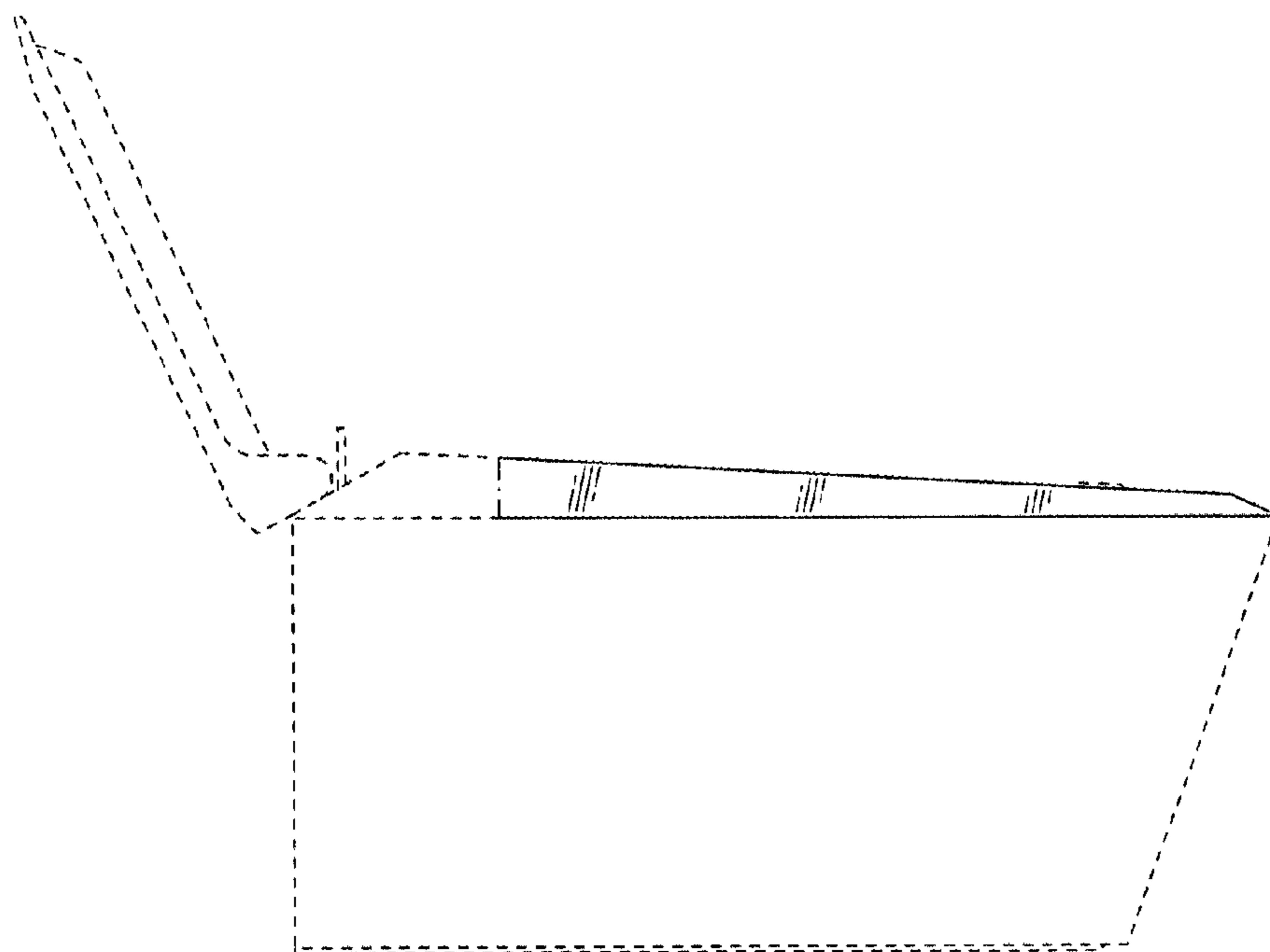


FIG. 5

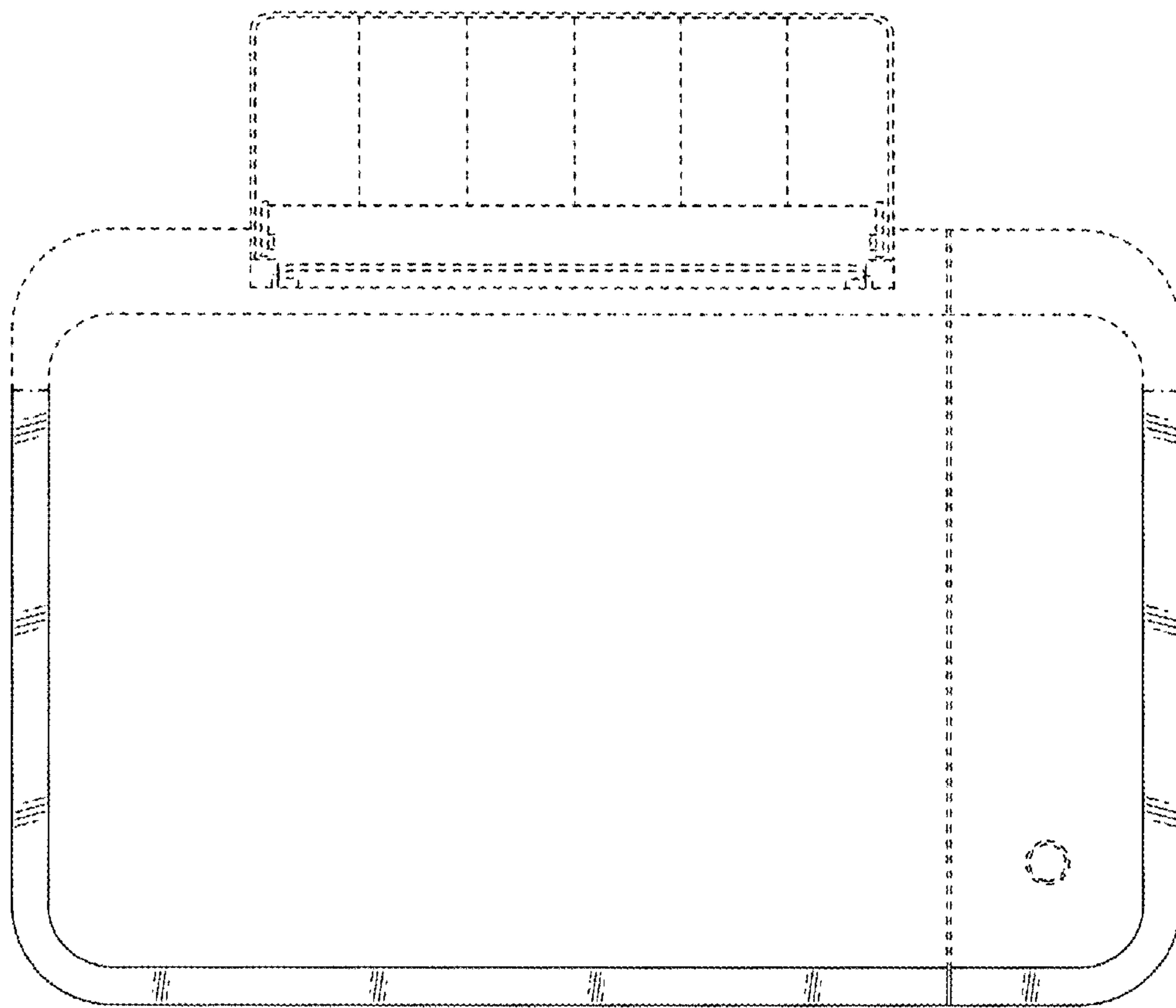


FIG. 6

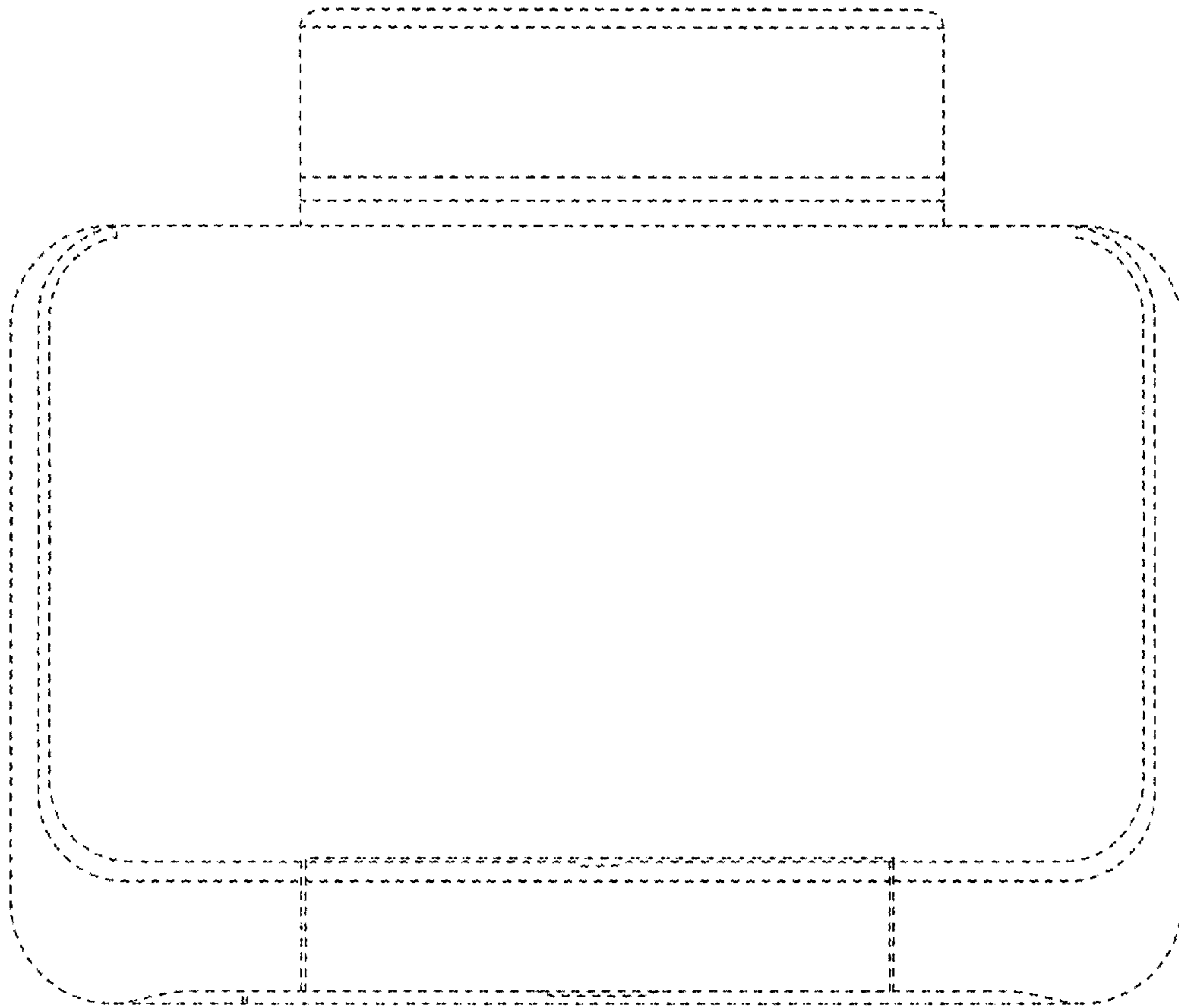


FIG. 7

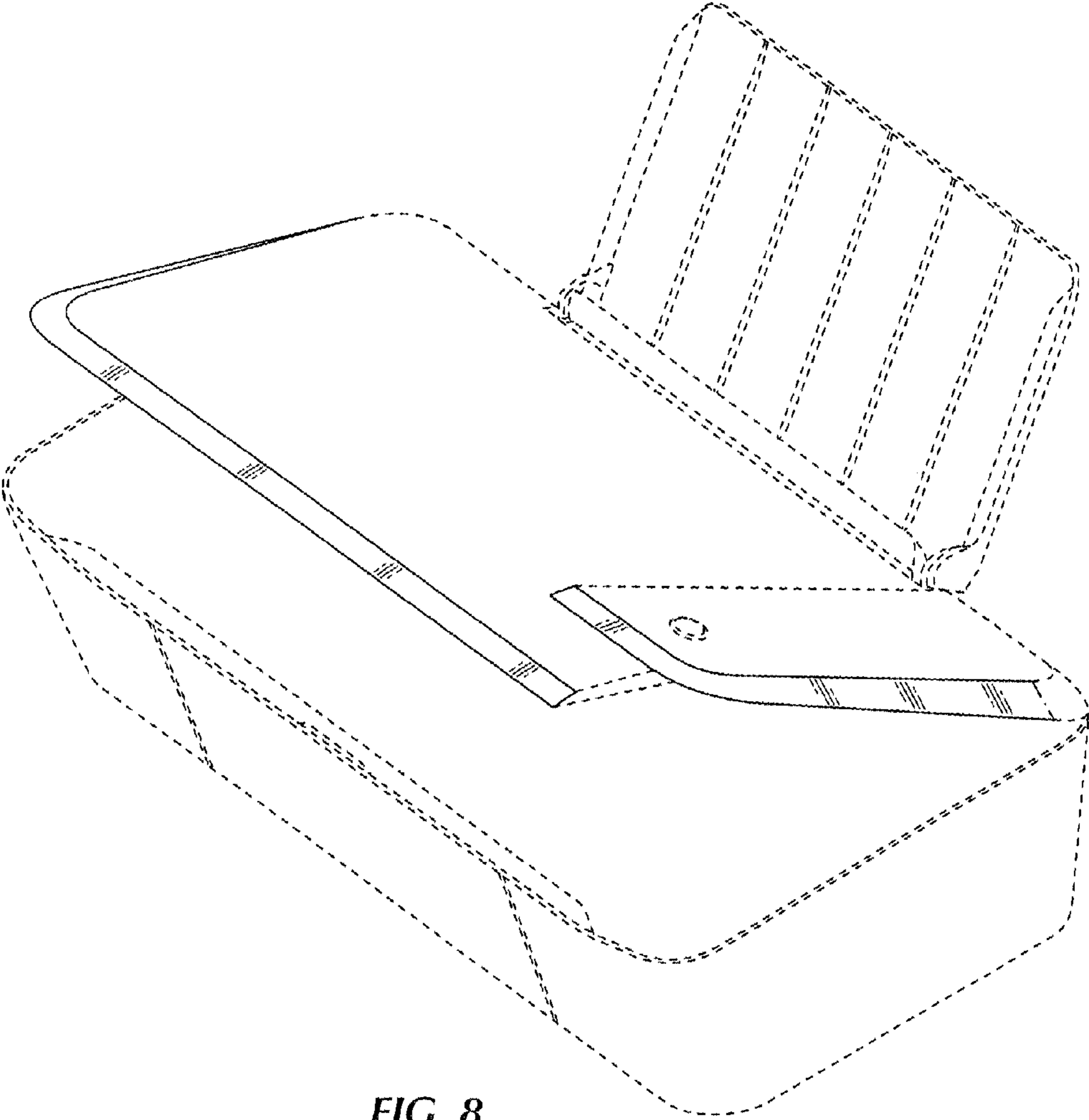


FIG. 8