



US00D757163S

(12) **United States Design Patent**
Kim

(10) **Patent No.:** **US D757,163 S**

(45) **Date of Patent:** **** May 24, 2016**

(54) **PRINTER**

(71) Applicant: **Samsung Electronics Co., Ltd.**,
Suwon-si (KR)

(72) Inventor: **Kyong-Hwan Kim**, Seoul (KR)

(73) Assignee: **Samsung Electronics Co., Ltd.**,
Suwon-si (KR)

(**) Term: **14 Years**

(21) Appl. No.: **29/484,477**

(22) Filed: **Mar. 10, 2014**

(30) **Foreign Application Priority Data**

Sep. 13, 2013 (KR) 30-2013-0047560

(51) **LOC (10) Cl.** **14-02**

(52) **U.S. Cl.**
USPC **D18/50**

(58) **Field of Classification Search**
USPC D18/36-39, 14, 19, 50, 53, 54, 54.1, 55,
D18/59; D14/420-425, 462-470, 345, 447;
400/613, 613.1-613.4, 690.1-690.4,
400/691-694; D19/91
See application file for complete search history.

(56) **References Cited**

U.S. PATENT DOCUMENTS

3,410,516 A * 11/1968 Criswell D19/91
D328,309 S * 7/1992 Tu D18/34.3
D363,284 S * 10/1995 Solomita D14/149
D509,508 S * 9/2005 Ko et al. D14/420

D512,065 S * 11/2005 Ko et al. D14/420
D517,110 S * 3/2006 Tanaka D18/50
D615,515 S * 5/2010 Hwang D14/130
D639,816 S * 6/2011 Bau D14/447
D648,728 S * 11/2011 Atkins et al. D14/447
D651,213 S * 12/2011 Magness et al. D14/447
D670,296 S * 11/2012 Seehoff D14/447
D681,644 S * 5/2013 Meadows et al. D14/447
D696,725 S * 12/2013 Sasken-Duff et al. D19/91
D699,297 S * 2/2014 Bahsoun et al. D14/447
D703,676 S * 4/2014 Smith et al. D14/447
2011/0108696 A1 * 5/2011 Ye 248/371

* cited by examiner

Primary Examiner — Cathy Anne MacCormac

(74) *Attorney, Agent, or Firm* — NSIP Law

(57) **CLAIM**

The ornamental design for a printer, as shown and described.

DESCRIPTION

FIG. 1 is a front perspective view of a printer showing my new design;
FIG. 2 is a front view thereof;
FIG. 3 is a rear view thereof;
FIG. 4 is a left-side view thereof;
FIG. 5 is a right-side view thereof;
FIG. 6 is a top view thereof;
FIG. 7 is a bottom view thereof;
FIG. 8 is a rear perspective view thereof; and,
FIG. 9 is another rear perspective view, in which the printer is provided in an alternate position.
The broken lines in the figures show portions of the printer that depict environmental subject matter which form no part of the claimed design.

1 Claim, 9 Drawing Sheets

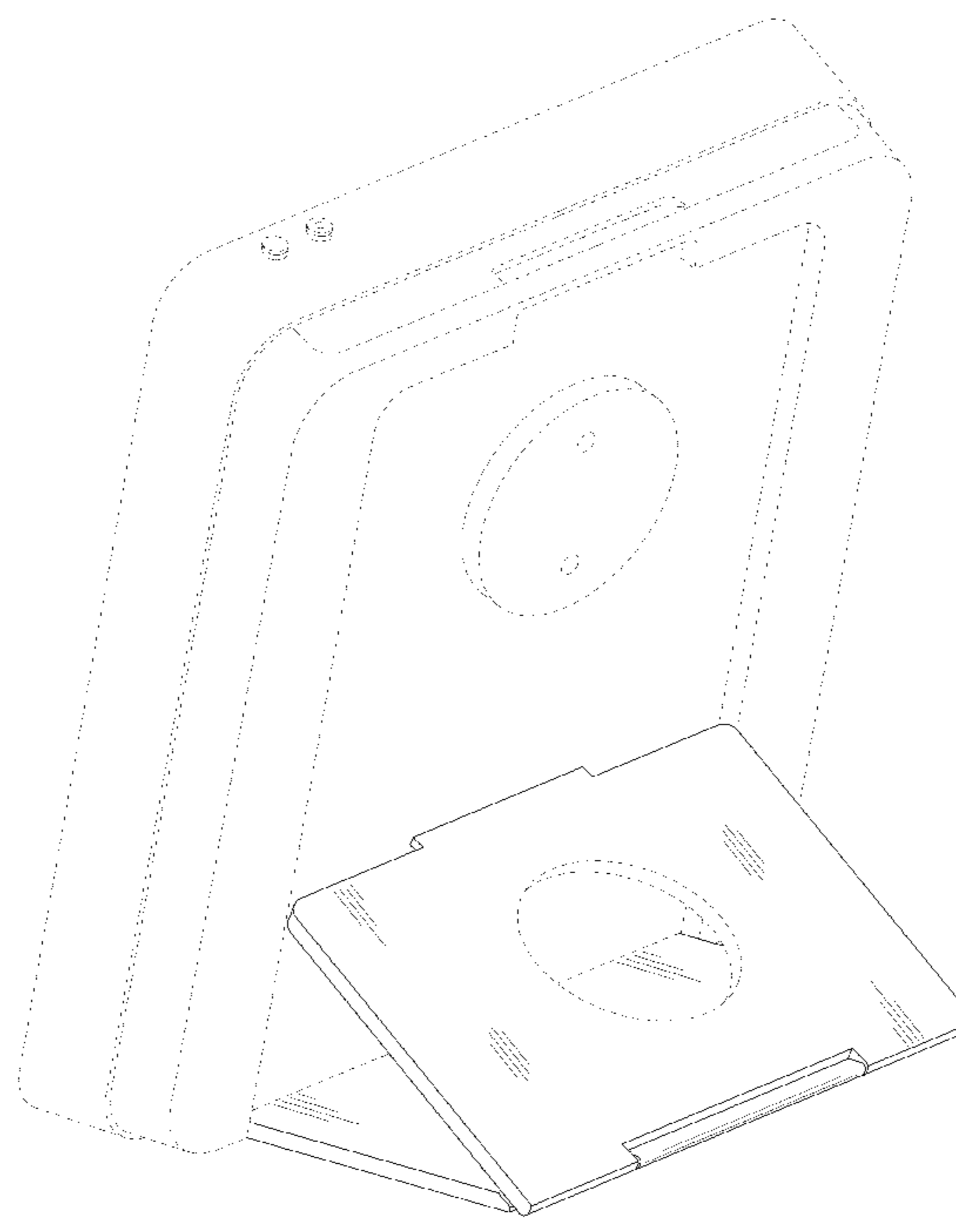
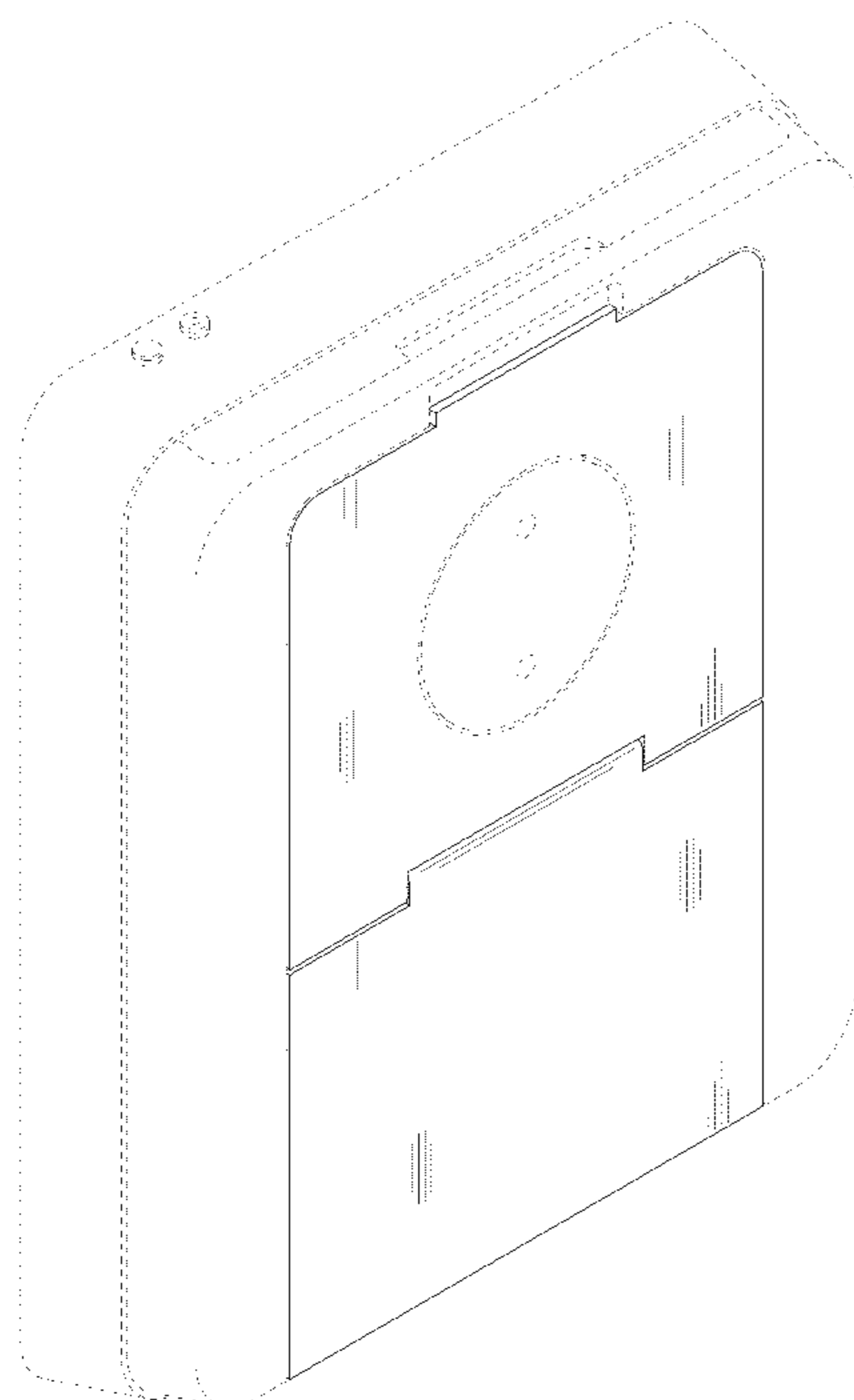


FIG. 1

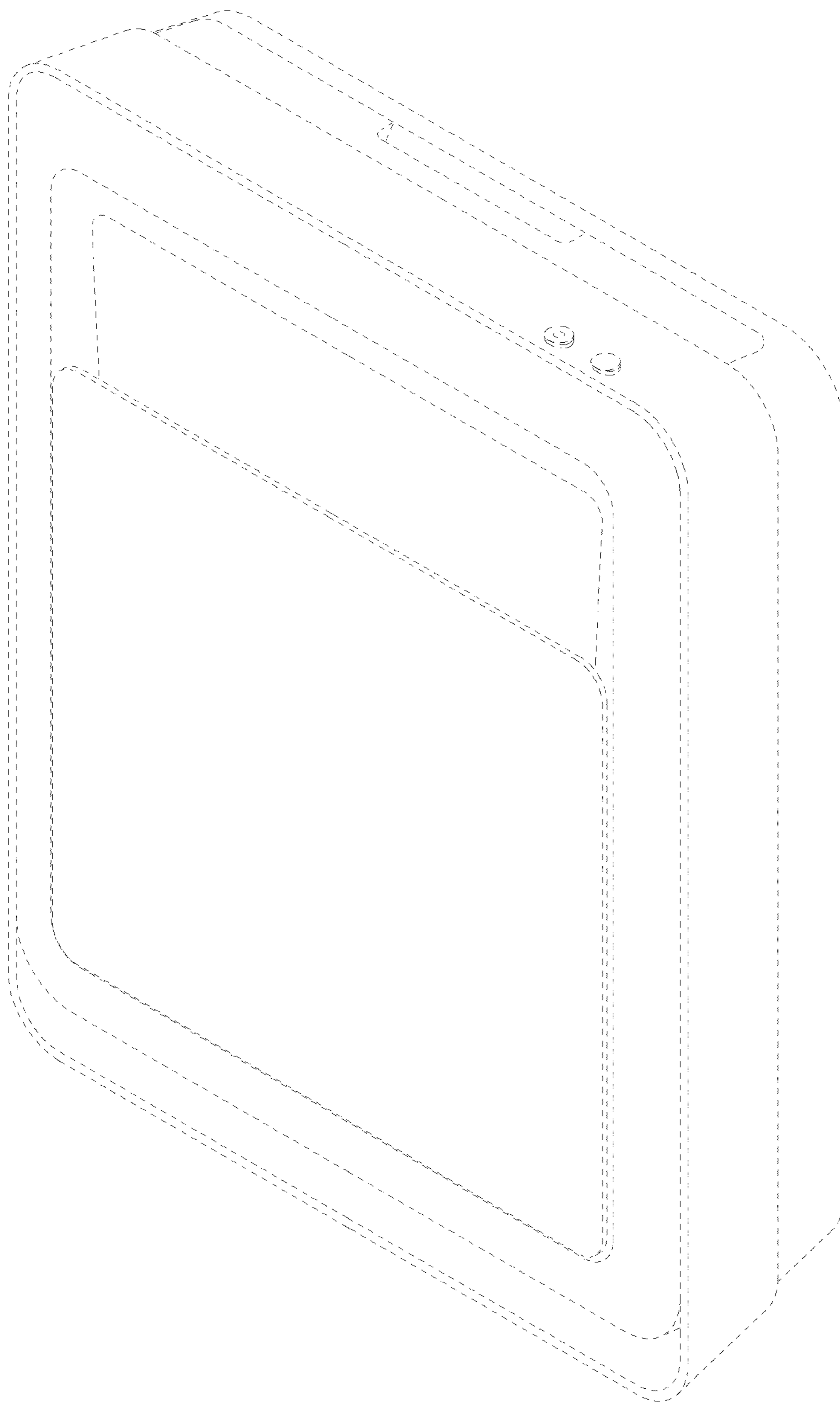


FIG. 2

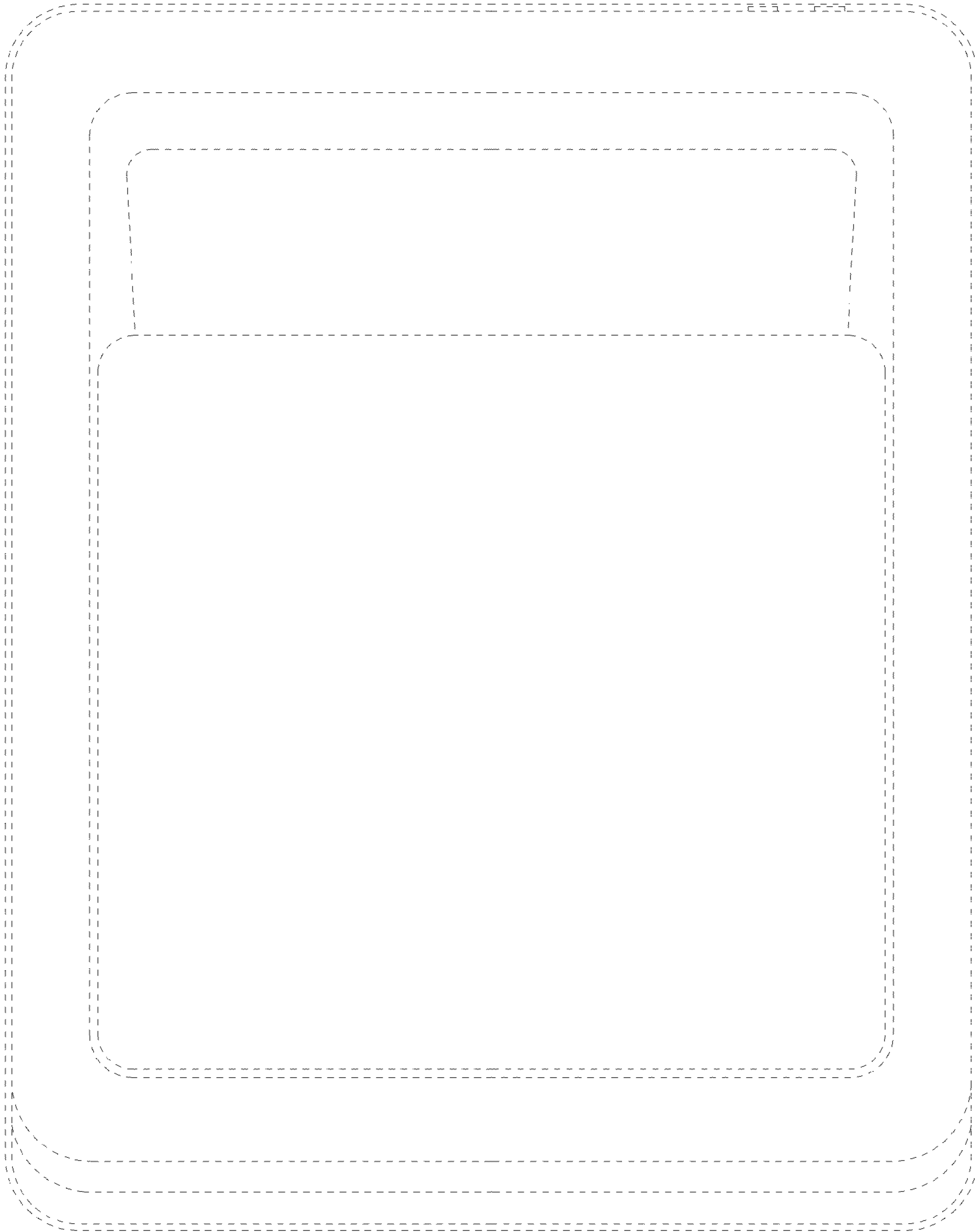


FIG. 3

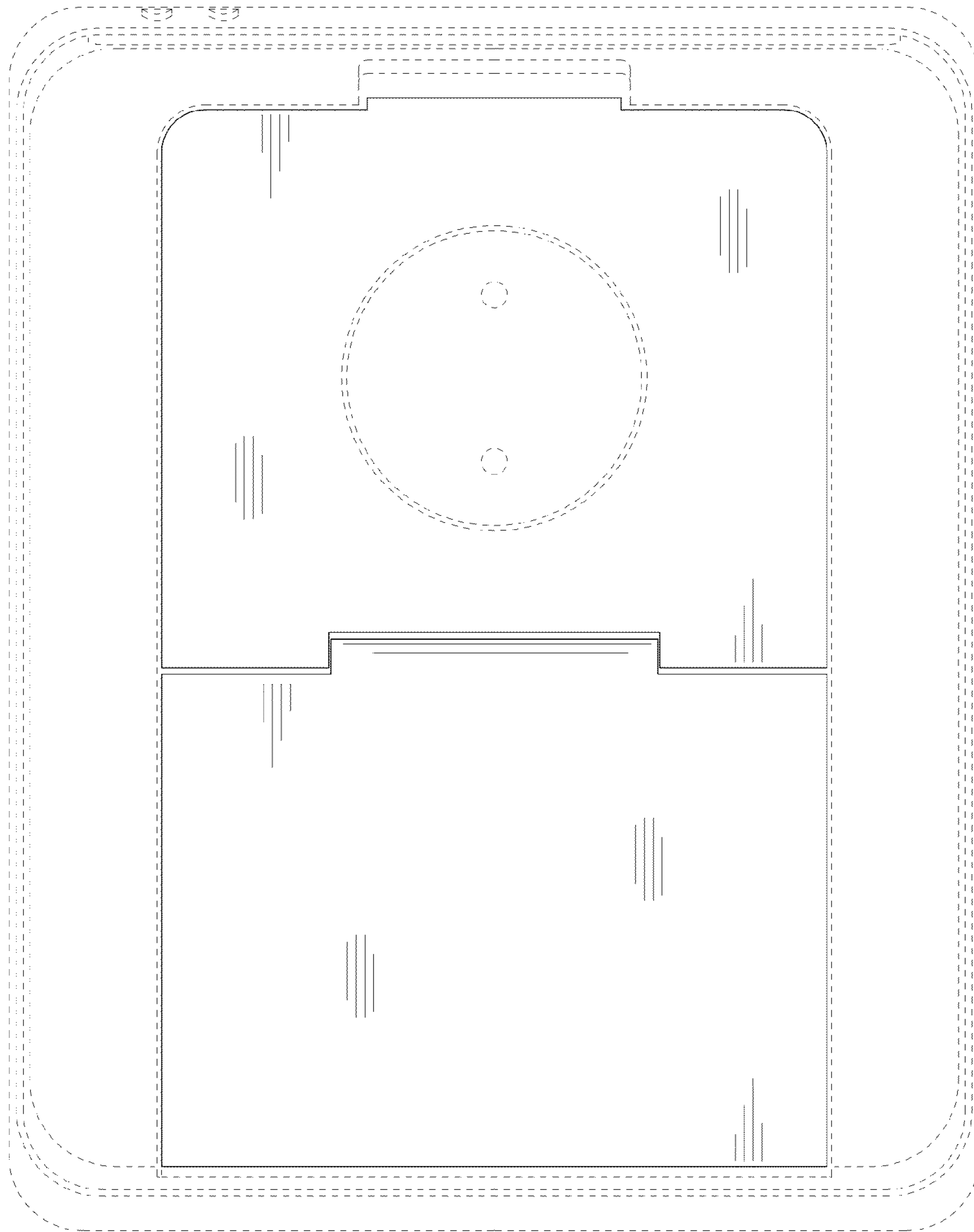


FIG. 4

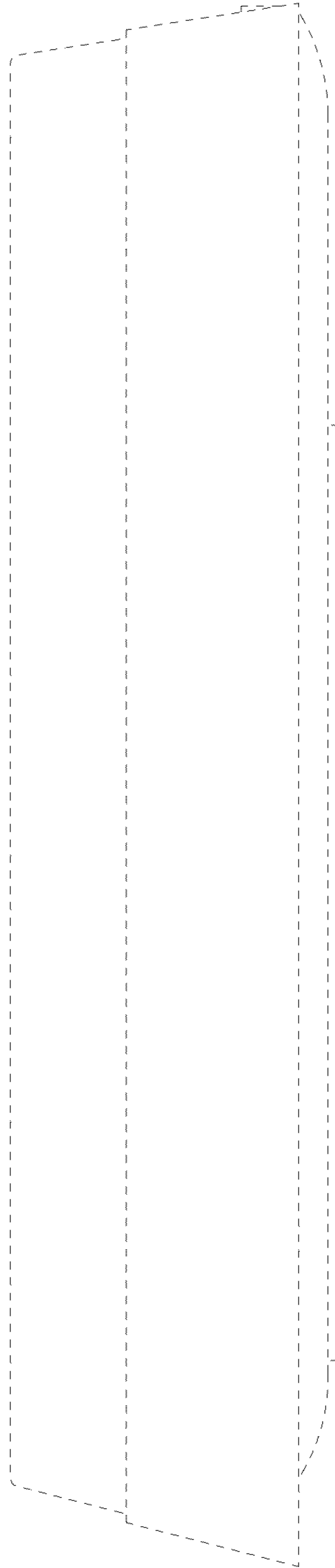


FIG. 5

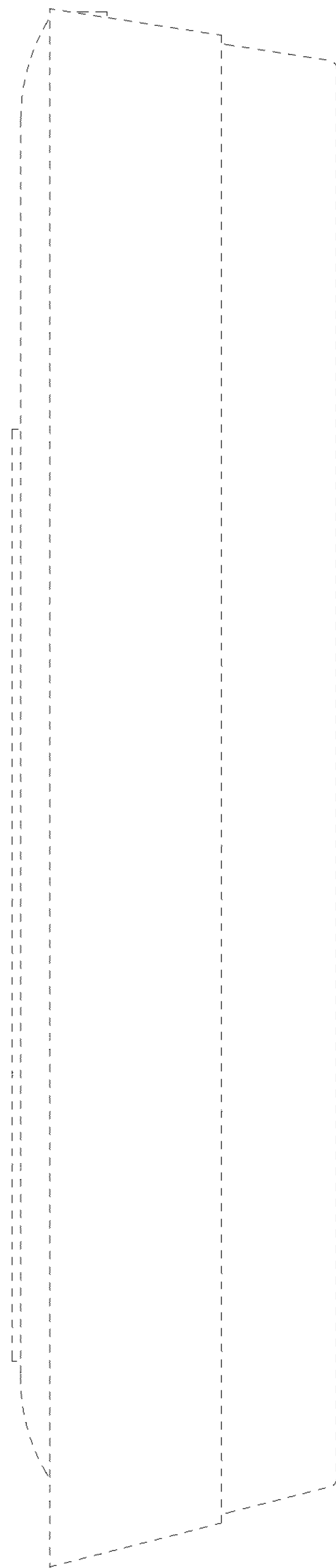


FIG. 6

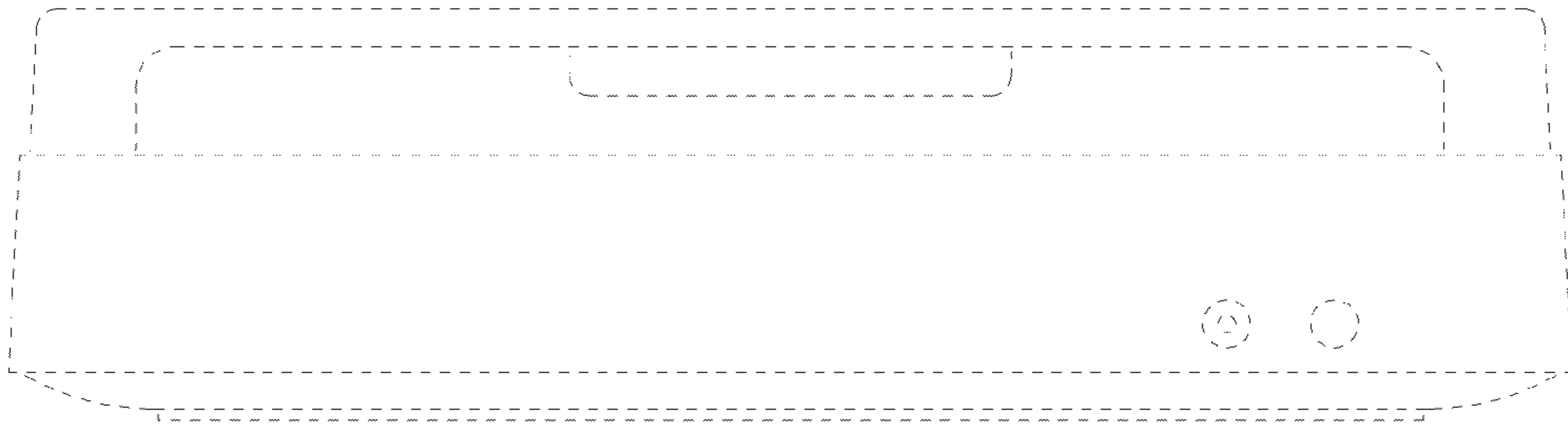


FIG. 7

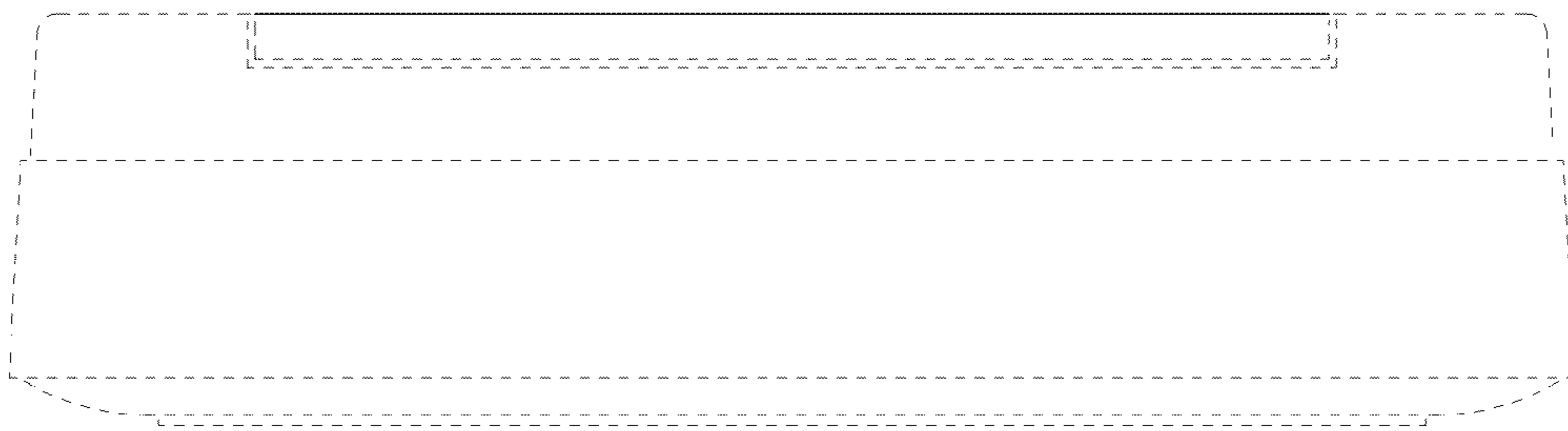


FIG. 8

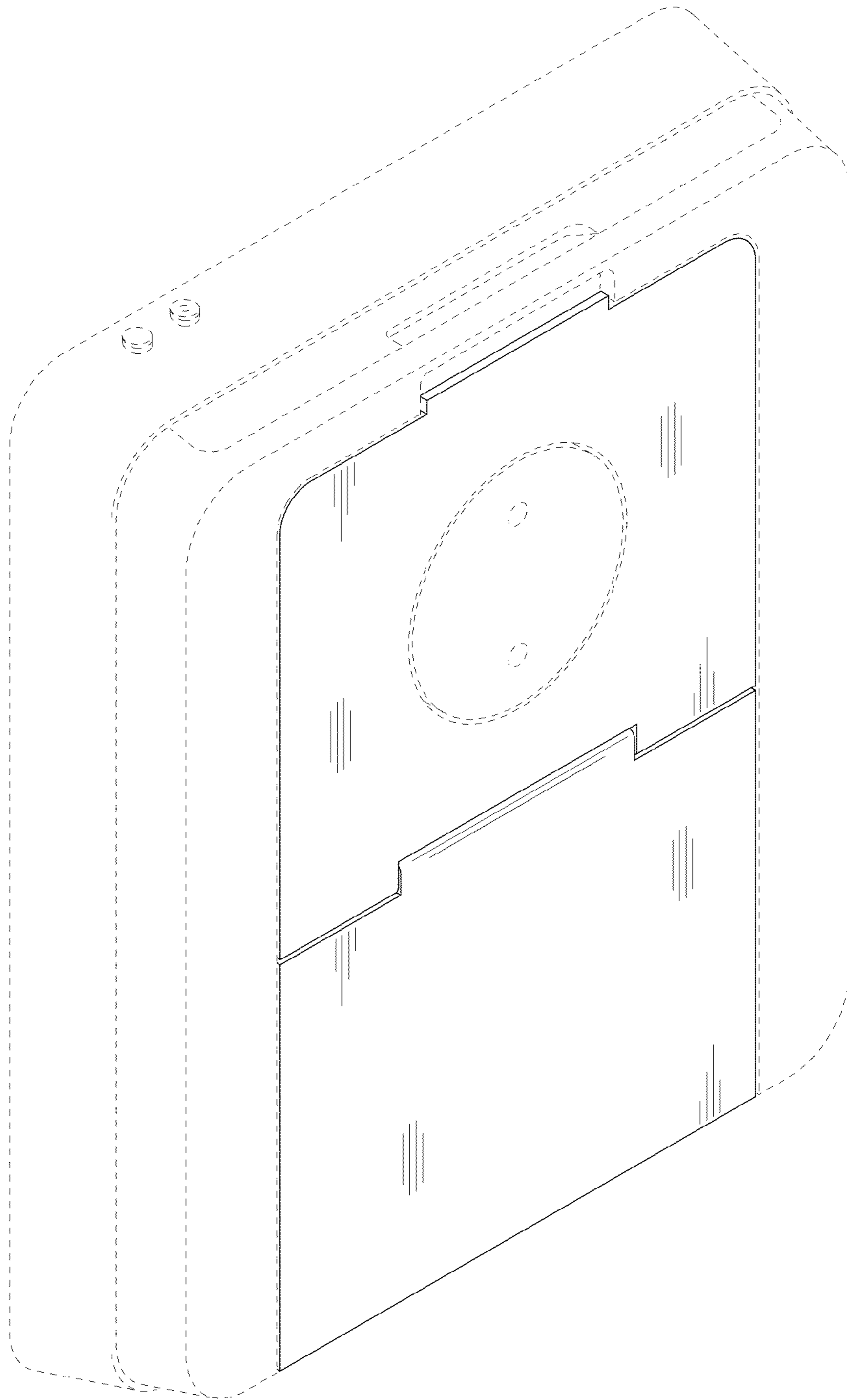


FIG. 9

