

US00D757162S

(12) **United States Design Patent**  
**Lyons et al.**

(10) **Patent No.:** **US D757,162 S**

(45) **Date of Patent:** **\*\* May 24, 2016**

(54) **POINT-OF-SALE PRINTER**

(71) Applicant: **FIRST DATA CORPORATION**,  
Greenwood Village, CO (US)

(72) Inventors: **David Frederick Lyons**, Palo Alto, CA  
(US); **Christopher Loew**, Palo Alto, CA  
(US); **Leonard Speiser**, Mountain View,  
CA (US); **John Beatty**, Mountain View,  
CA (US); **Eric Fuhs**, Mountain View,  
CA (US)

(73) Assignee: **First Data Corporation**, Greenwood  
Village, CO (US)

(\*\*) Term: **14 Years**

(21) Appl. No.: **29/465,116**

(22) Filed: **Aug. 23, 2013**

(51) **LOC (10) Cl.** ..... **14-02**

(52) **U.S. Cl.**  
USPC ..... **D18/50; D18/4.4**

(58) **Field of Classification Search**  
USPC ..... D18/4.4, 36-37, 50, 54, 54.1, 55;  
D14/420-425, 462-470; 400/613,  
400/613.1-613.4, 690.1-690.4, 691-694,  
400/300, 308  
CPC ..... B41J 3/36; B41J 9/26; B41J 15/00;  
B41J 29/02; B41J 29/13; B41J 35/36; B65H  
35/06; G03G 21/00; G03G 21/16; G03G  
15/00; G06F 3/12; G06K 15/14  
See application file for complete search history.

(56) **References Cited**

**U.S. PATENT DOCUMENTS**

- D258,826 S \* 4/1981 Aderman et al. .... D18/4.1
- D279,566 S \* 7/1985 Case ..... D18/4.4
- D290,258 S \* 6/1987 Weisz et al. .... D18/54
- D301,344 S \* 5/1989 Kubo et al. .... D18/54
- 4,857,943 A \* 8/1989 Yoshimura et al. .... 346/136

- D308,072 S \* 5/1990 Salmonson ..... D18/54
- D311,393 S \* 10/1990 Weaver et al. .... D14/420
- D318,288 S \* 7/1991 Tashiro ..... D18/54
- D323,526 S \* 1/1992 Kobayashi ..... D18/54
- D325,927 S \* 5/1992 Fushiya ..... D18/54
- D345,966 S \* 4/1994 Perez ..... D18/4.5
- D363,734 S \* 10/1995 Bianco et al. .... D18/50
- D372,936 S \* 8/1996 Droege et al. .... D18/54
- D377,502 S \* 1/1997 Mimoto ..... D18/54
- D385,904 S \* 11/1997 Kim ..... D18/4.4
- 5,764,265 A \* 6/1998 Minegishi et al. .... 347/108
- D409,191 S \* 5/1999 Masamitsu ..... D14/510
- D428,046 S \* 7/2000 Berger ..... D18/4.6
- D486,176 S \* 2/2004 Flaherty et al. .... D18/4.4
- D499,134 S \* 11/2004 Enstrom ..... D18/4.4
- 6,848,685 B2 \* 2/2005 Katsuyama ..... 271/162
- D519,548 S \* 4/2006 Bergstrom ..... D18/50
- D523,072 S \* 6/2006 Lee et al. .... D18/50
- D559,303 S \* 1/2008 Hongo ..... D18/19

(Continued)

*Primary Examiner* — Cathy Anne MacCormac

(74) *Attorney, Agent, or Firm* — Sutherland Asbill &  
Brennan LLP

(57) **CLAIM**

The ornamental design for a point-of-sale printer, as shown  
and described.

**DESCRIPTION**

FIG. 1 is a right front perspective view of a point-of-sale  
printer;

FIG. 2 is an top plan view thereof;

FIG. 3 is a front elevational view thereof;

FIG. 4 is a right side elevational view thereof;

FIG. 5 is a rear elevational view thereof;

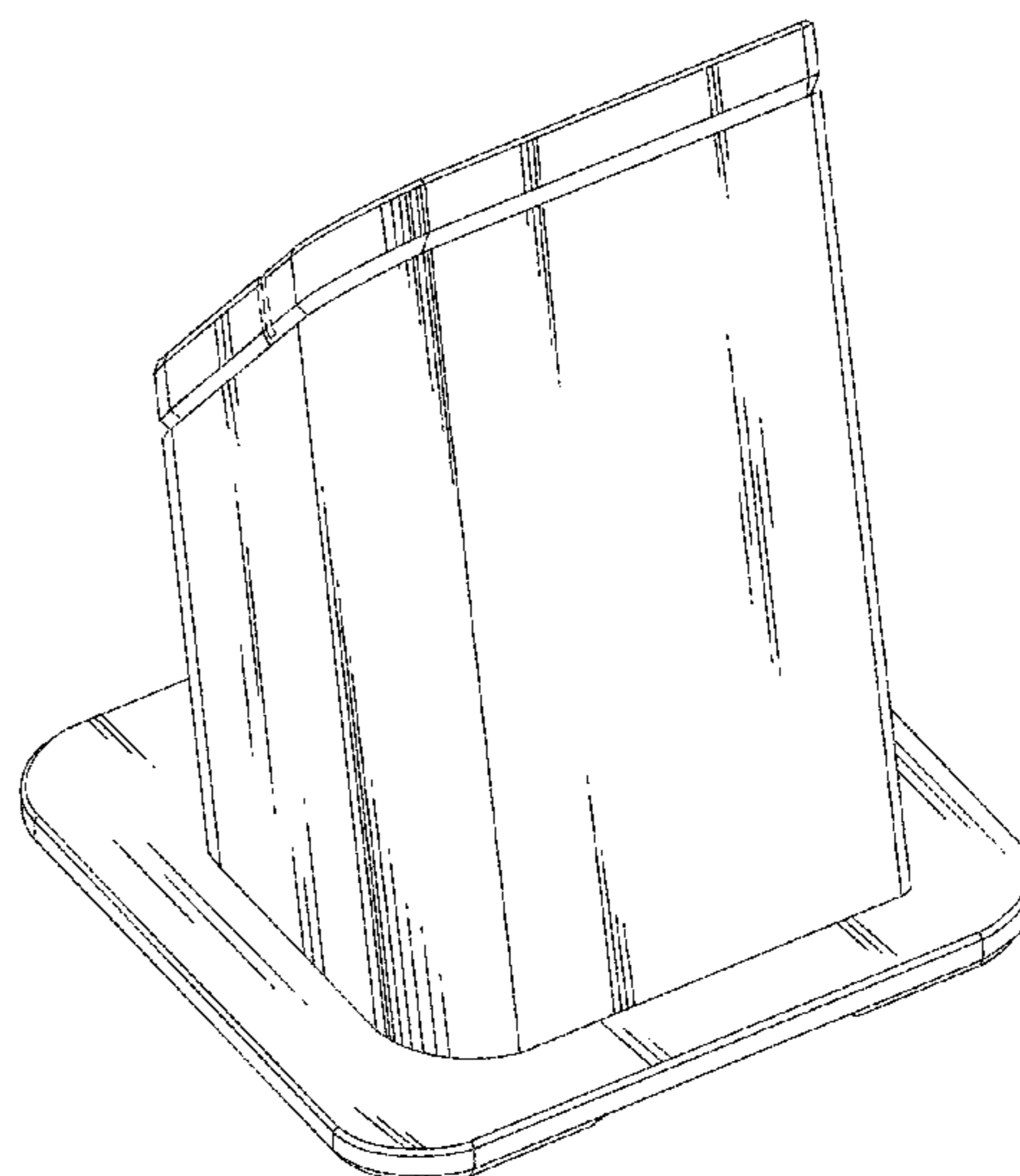
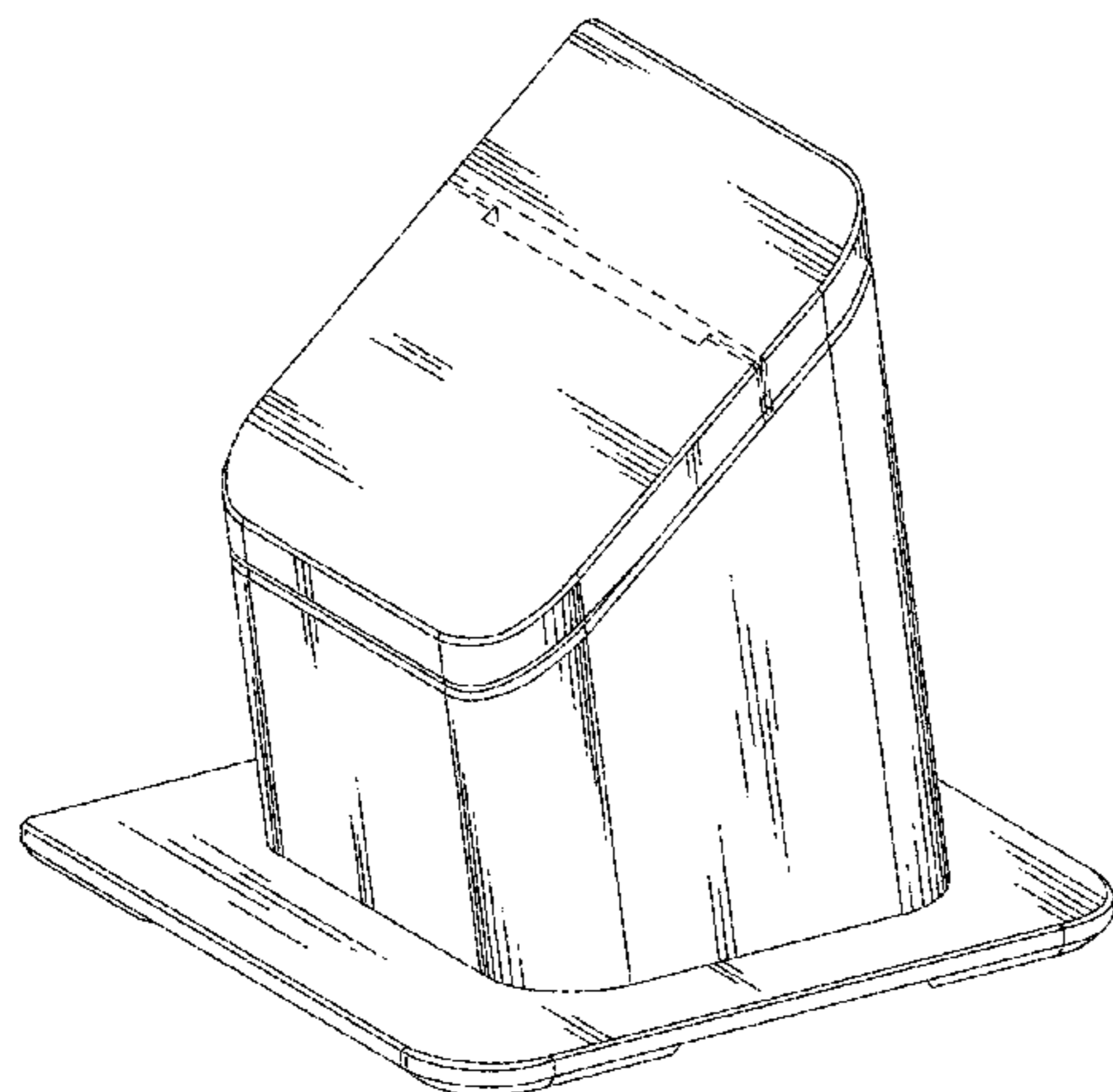
FIG. 6 is a left side elevational view thereof; and,

FIG. 7 is a right rear perspective view thereof.

The claimed point-of-sale printer is used to process transac-  
tions.

The broken lines depict environmental subject matter and  
form no part of the claimed design.

**1 Claim, 7 Drawing Sheets**



# US D757,162 S

Page 2

---

(56)

## References Cited

### U.S. PATENT DOCUMENTS

D581,456 S \* 11/2008 Whittall et al. .... D18/50  
D616,889 S \* 6/2010 Kuroda et al. .... D14/422  
D631,050 S \* 1/2011 Iliffe-Moon et al. .... D14/422

D660,349 S \* 5/2012 Hiraguchi et al. .... D18/50  
D665,017 S \* 8/2012 Hutchison et al. .... D18/50  
D669,081 S \* 10/2012 Iwai et al. .... D14/422  
D700,908 S \* 3/2014 Taniho et al. .... D14/422  
D708,184 S \* 7/2014 Romanoff et al. .... D14/422

\* cited by examiner

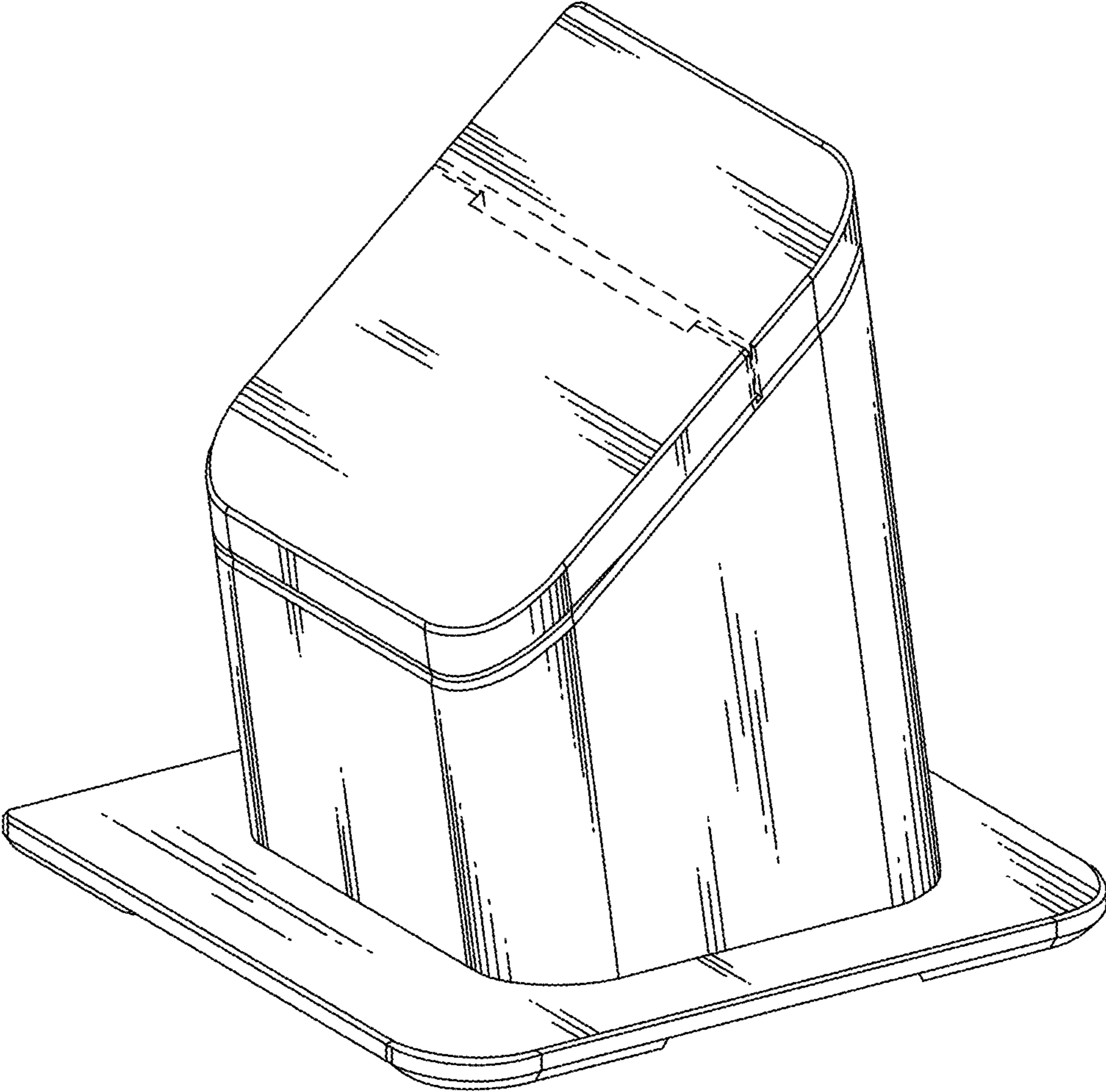


FIG 1

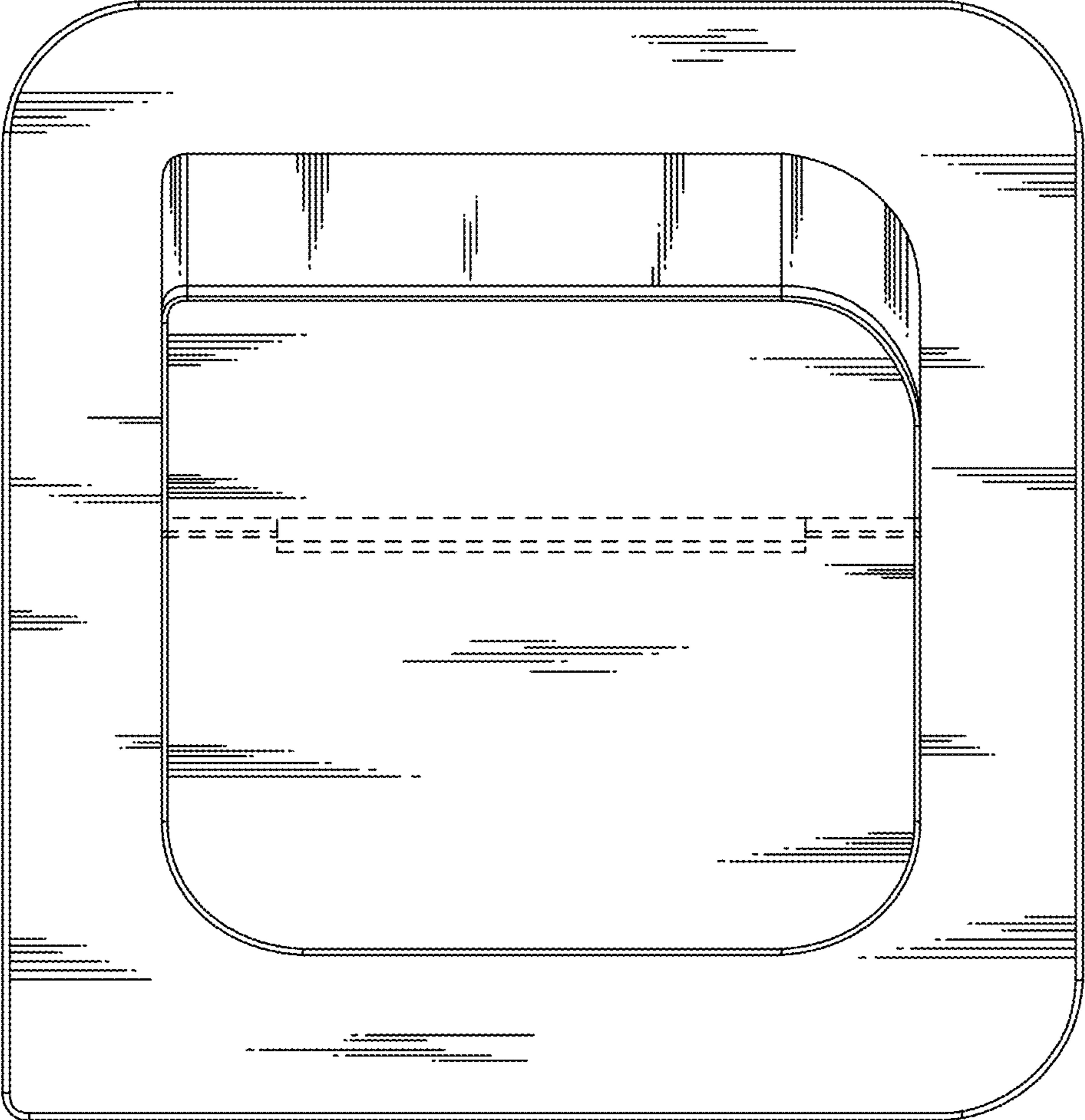


FIG 2



FIG 3



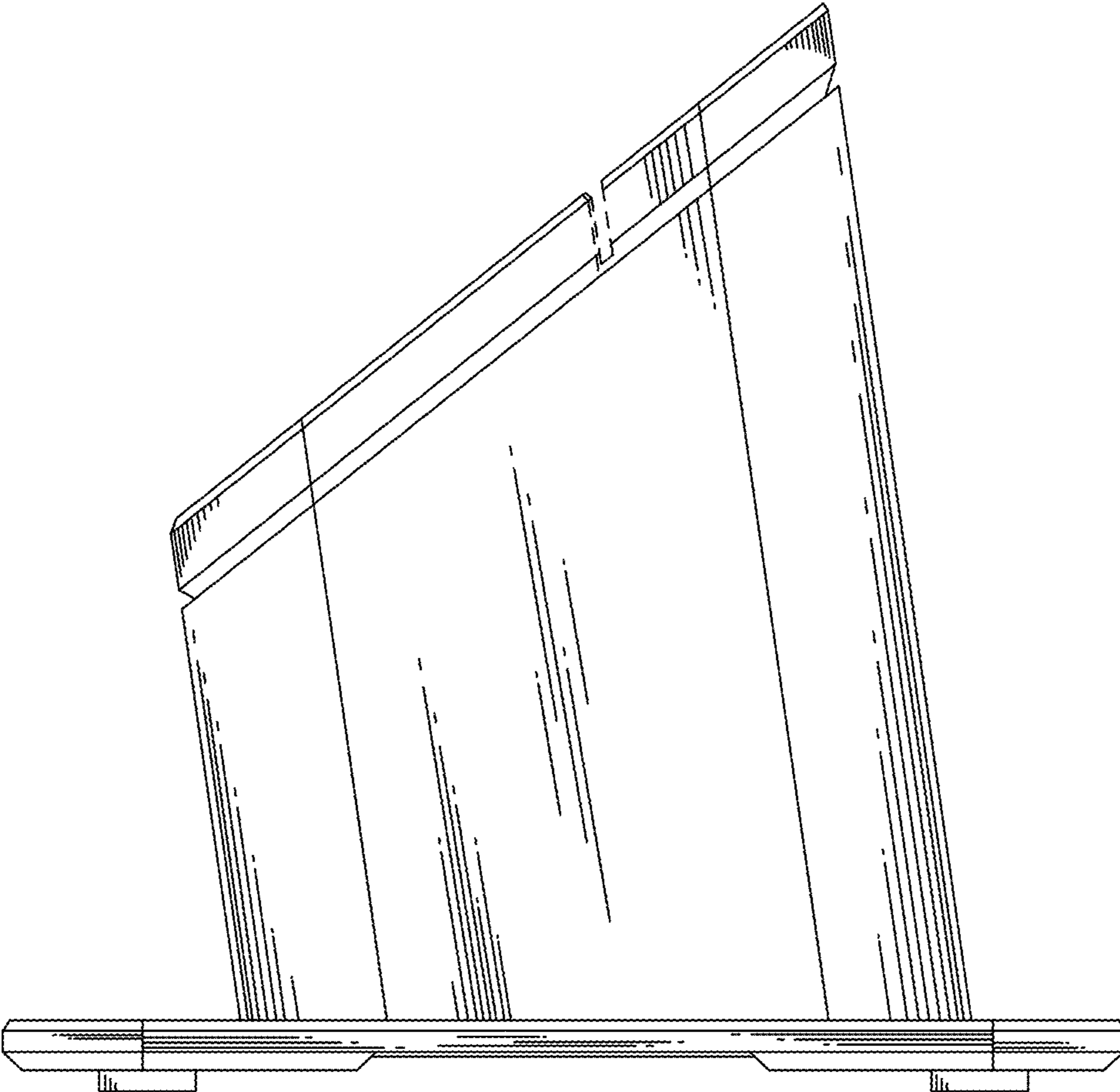


FIG 4

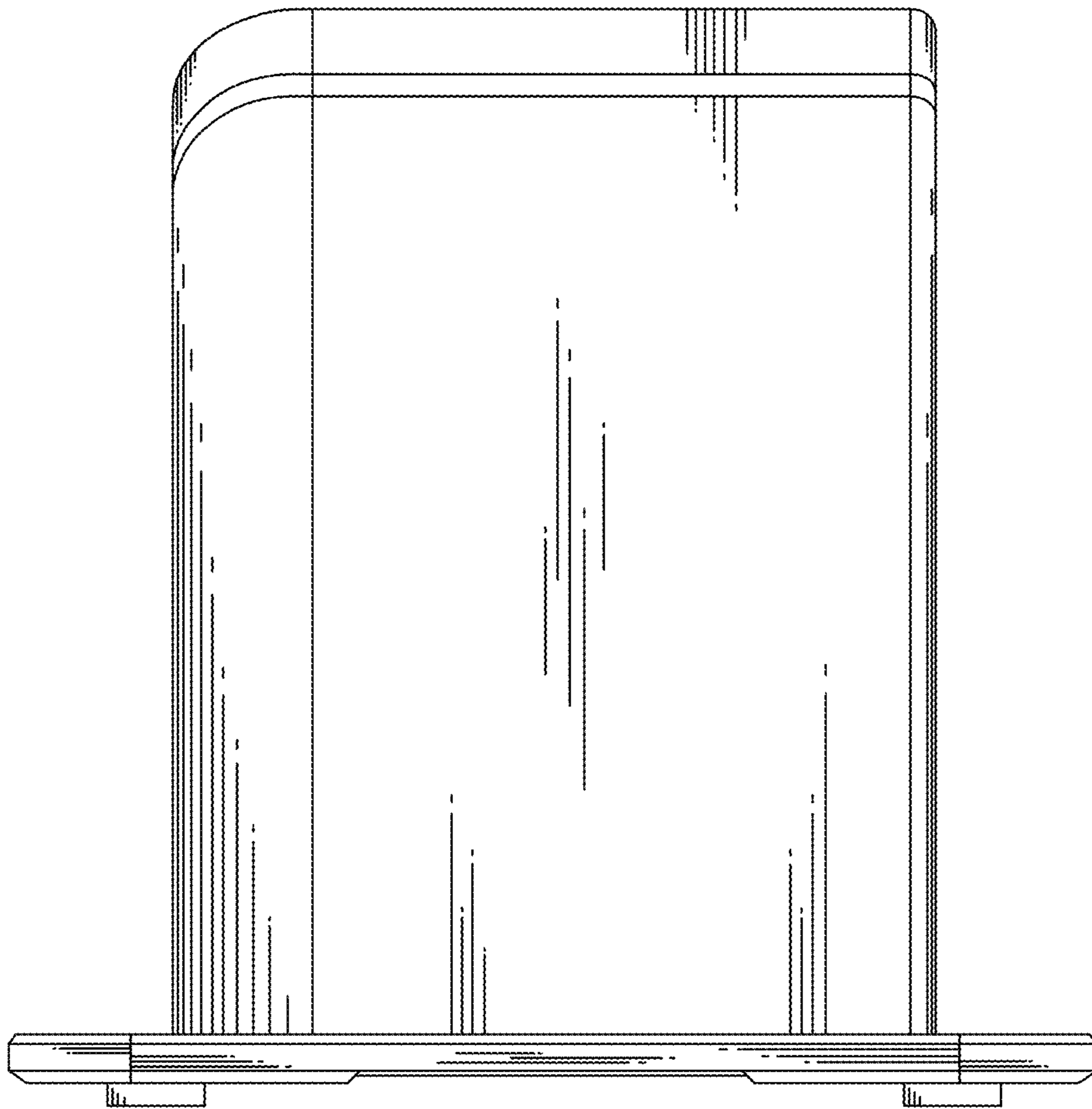


FIG 5

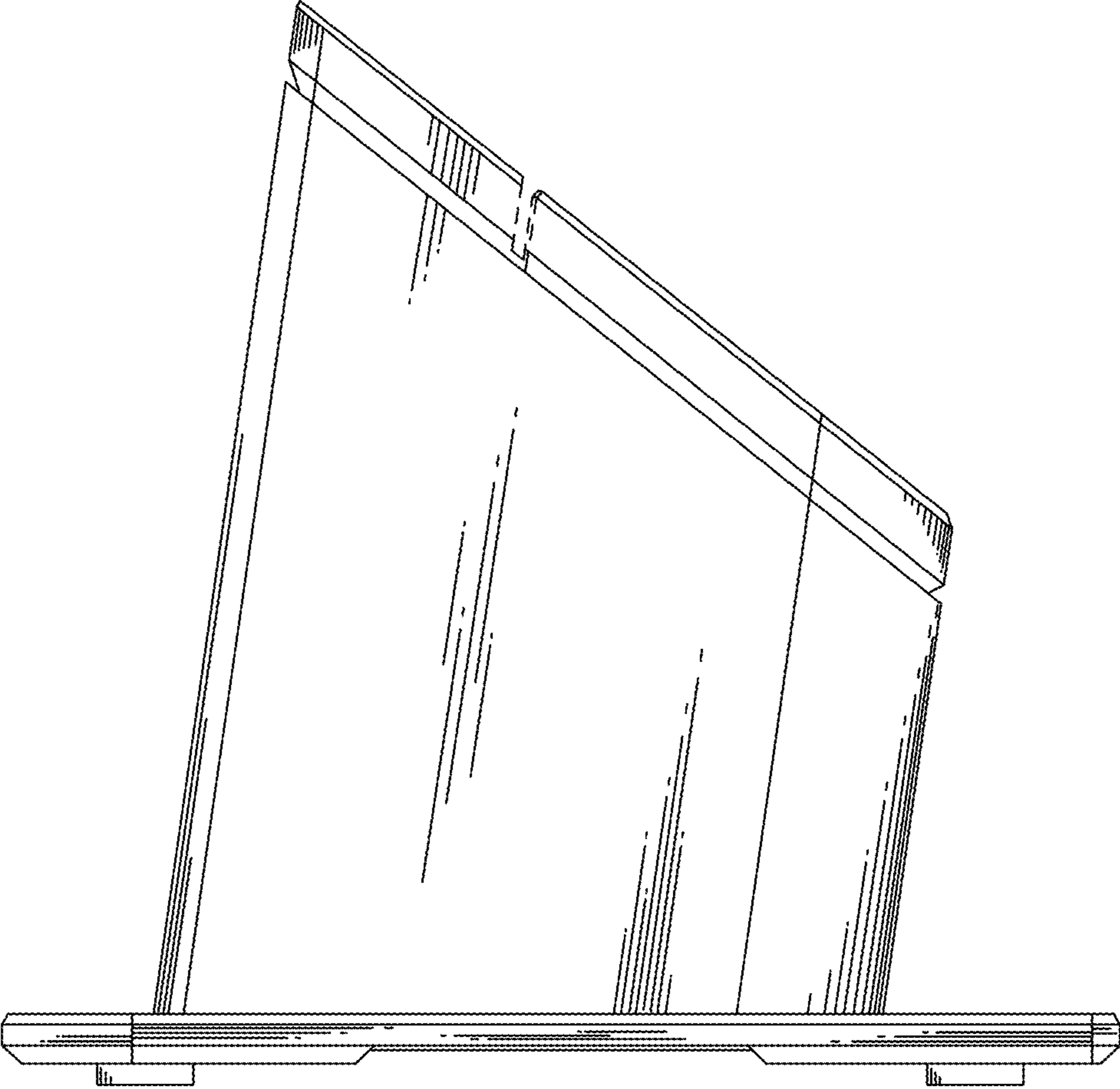


FIG 6



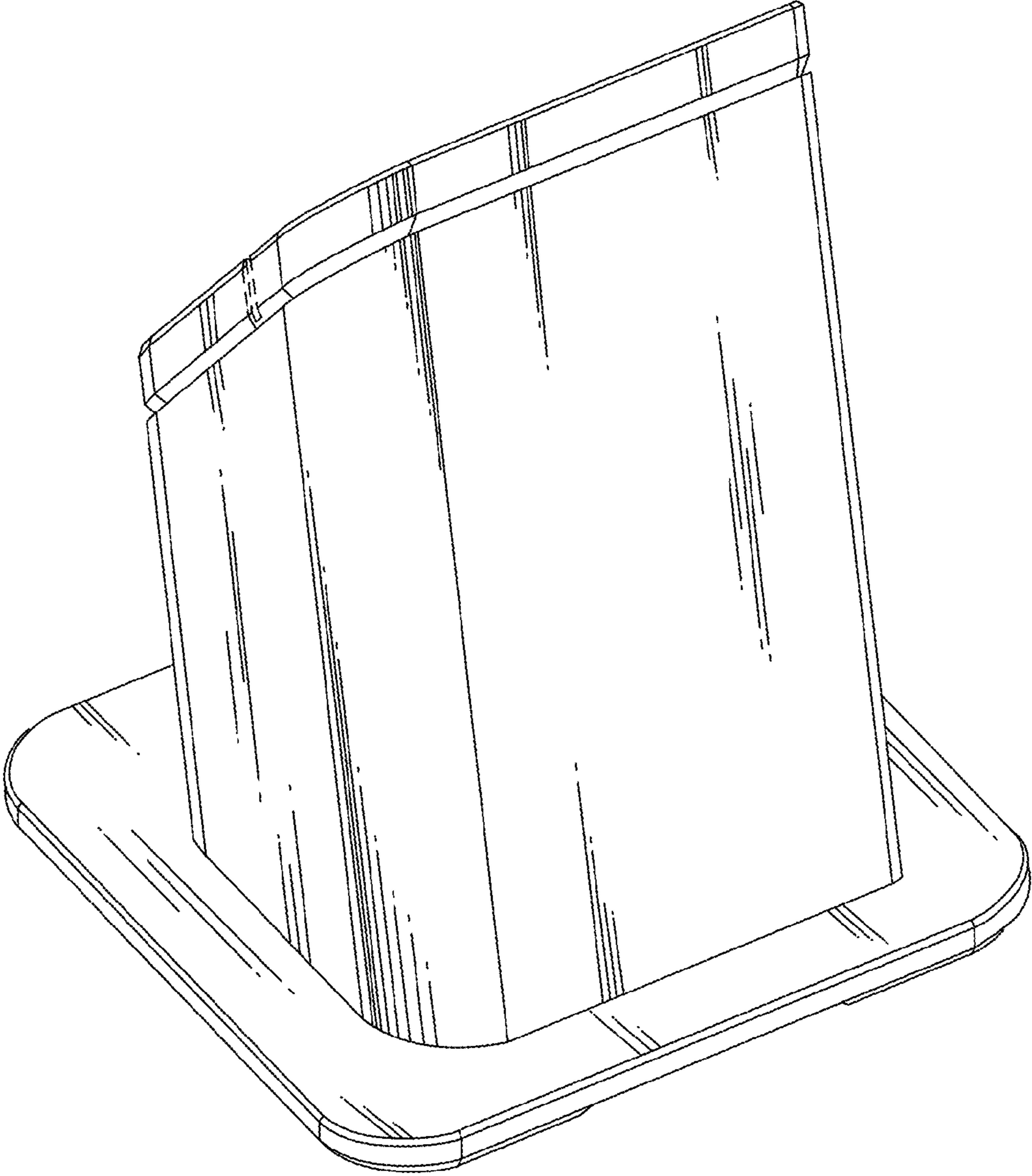


FIG 7