



US00D757159S

(12) **United States Design Patent**  
**Noordzij et al.**

(10) **Patent No.:** **US D757,159 S**  
(45) **Date of Patent:** **\*\* May 24, 2016**

(54) **PAIR OF MOUNT ARMS FOR A VISOR**

(71) Applicant: **Artisent, LLC**, Simpson, PA (US)

(72) Inventors: **Duco W. Noordzij**, Roslindale, MA (US); **Kyle Larry Lamson**, Chelmsford, MA (US); **David C. Rogers**, Boston, MA (US)

(73) Assignee: **ARTISENT, LLC**, Simpson, PA (US)

(\*\*) Term: **14 Years**

(21) Appl. No.: **29/511,560**

(22) Filed: **Dec. 11, 2014**

**Related U.S. Application Data**

(63) Continuation of application No. 29/479,263, filed on Jan. 14, 2014, now Pat. No. Des. 729,307.

(51) **LOC (10) Cl.** ..... **16-06**

(52) **U.S. Cl.**  
USPC ..... **D16/339**

(58) **Field of Classification Search**

USPC ..... D14/330, 206, 372; D24/157, 110.2, D24/3.3; D29/109, 105-107, 110; D16/100, D16/136, 217, 235, 300, 309-313, 321, 323, D16/325-327, 330, 336, 338-341; D5/56, D5/11; D11/162, 85, 19, 4; D2/872, 876, D2/882, 893

See application file for complete search history.

(56) **References Cited**

**U.S. PATENT DOCUMENTS**

D367,664 S 3/1996 Simioni

D370,230 S 5/1996 Simioni

(Continued)

**OTHER PUBLICATIONS**

Ops-Core 2012 Product Catalog; www.ops-core.com; Boston, MA, US; 44 pages; disclosed on or before Dec. 31, 2012.

(Continued)

*Primary Examiner* — Robert M Spear

*Assistant Examiner* — Eliza Bennett-Hattan

(74) *Attorney, Agent, or Firm* — Morgan, Lewis & Bockius LLP

(57) **CLAIM**

The ornamental design for a pair of mount arms for a visor, as shown and described.

**DESCRIPTION**

FIG. 1 is a front perspective view of a pair of mount arms for a visor in accordance with our new design;

FIG. 2 is a front perspective view of a first enlarged portion of the pair of mount arms for a visor shown in FIG. 1;

FIG. 3 is a front perspective view of a second enlarged portion of the pair of mount arms for a visor shown in FIG. 1;

FIG. 4 is a right-side elevational view of the pair of mount arms for a visor shown in FIG. 1;

FIG. 5 is a right-side elevational view of an enlarged portion of the pair of mount arms for a visor shown in FIG. 4;

FIG. 6 is a left-side elevational view of the pair of mount arms for a visor shown in FIG. 1;

FIG. 7 is a rear elevational view of the pair of mount arms for a visor shown in FIG. 1;

FIG. 8 is a rear elevational view of an enlarged portion of the pair of mount arms for a visor shown in FIG. 7;

FIG. 9 is a front elevation view of the pair of mount arms for a visor shown in FIG. 1;

FIG. 10 is a front elevational view of an enlarged portion of the pair of mount arms for a visor shown in FIG. 9;

FIG. 11 is a top plan view of the pair of mount arms for a visor shown in FIG. 1;

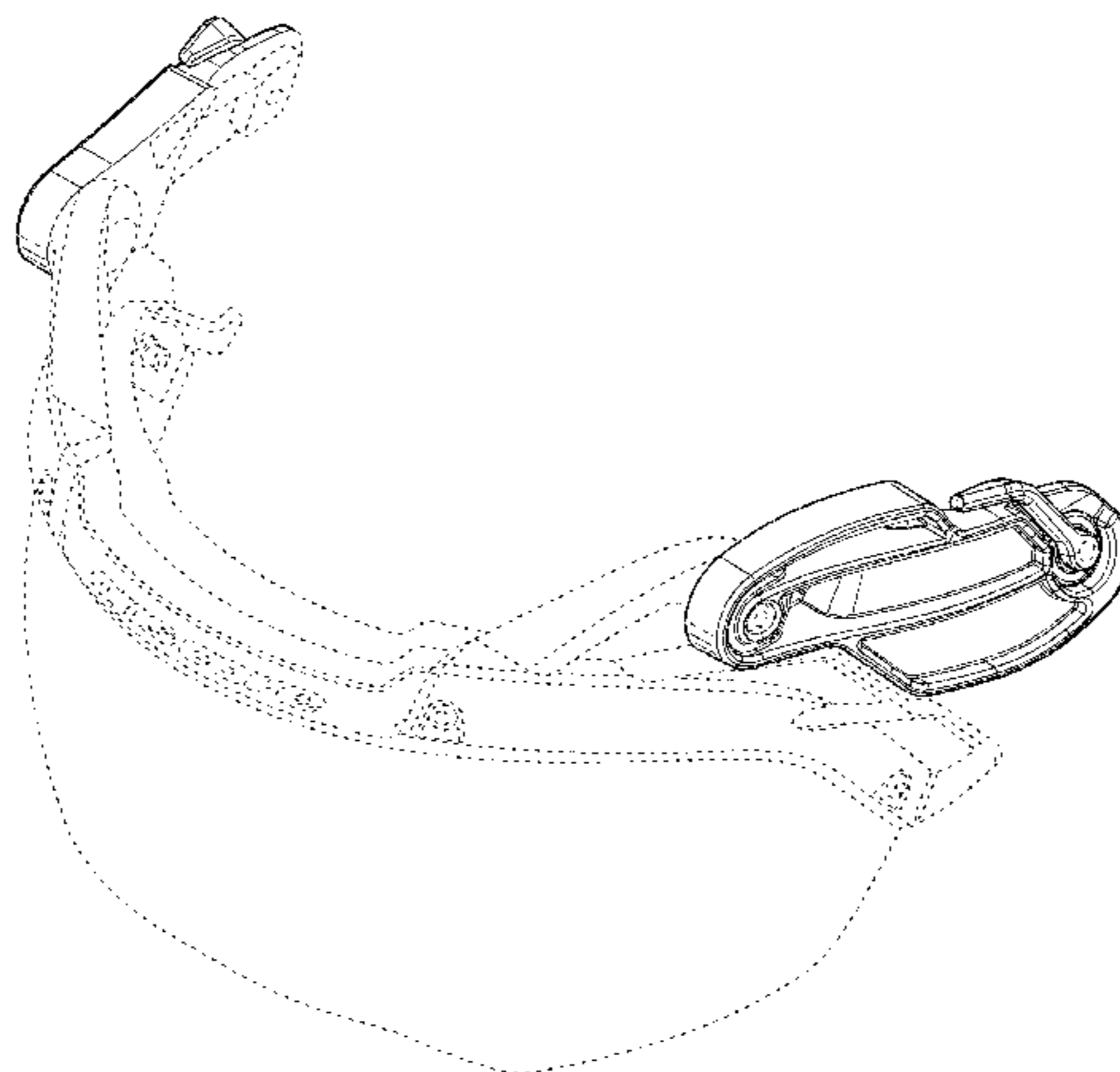
FIG. 12 is a top plan view of an enlarged portion of the pair of mount arms for a visor shown in FIG. 11;

FIG. 13 is a bottom plan view of the pair of mount arms for a visor shown in FIG. 1; and,

FIG. 14 is a bottom plan view of an enlarged portion of the pair of mount arms for a visor shown in FIG. 13.

The broken lines shown in the drawings represent portions of the pair of mount arms for a visor that form no part of the claimed design.

**1 Claim, 14 Drawing Sheets**



(56)

**References Cited**

U.S. PATENT DOCUMENTS

D382,293 S \* 8/1997 Rocco ..... D16/335  
7,134,149 B2 \* 11/2006 Sato ..... B63C 11/12  
2/431  
D551,279 S 9/2007 Chen  
D594,895 S 6/2009 Ross et al.  
D620,969 S 8/2010 Cyr  
D685,407 S 7/2013 Lin et al.  
D687,480 S 8/2013 Castro

D697,546 S 1/2014 Seo  
D725,696 S \* 3/2015 Garfias ..... D16/321  
D729,307 S \* 5/2015 Noordzij ..... D16/340  
D734,559 S \* 7/2015 Noordzij ..... D29/110  
D746,368 S \* 12/2015 Uhm ..... D16/335

OTHER PUBLICATIONS

Ops-Core 2013 Product Catalog; www.ops-core.com; Boston, MA,  
US; 44 pages; first disclosed on Jan. 14, 2013.

\* cited by examiner

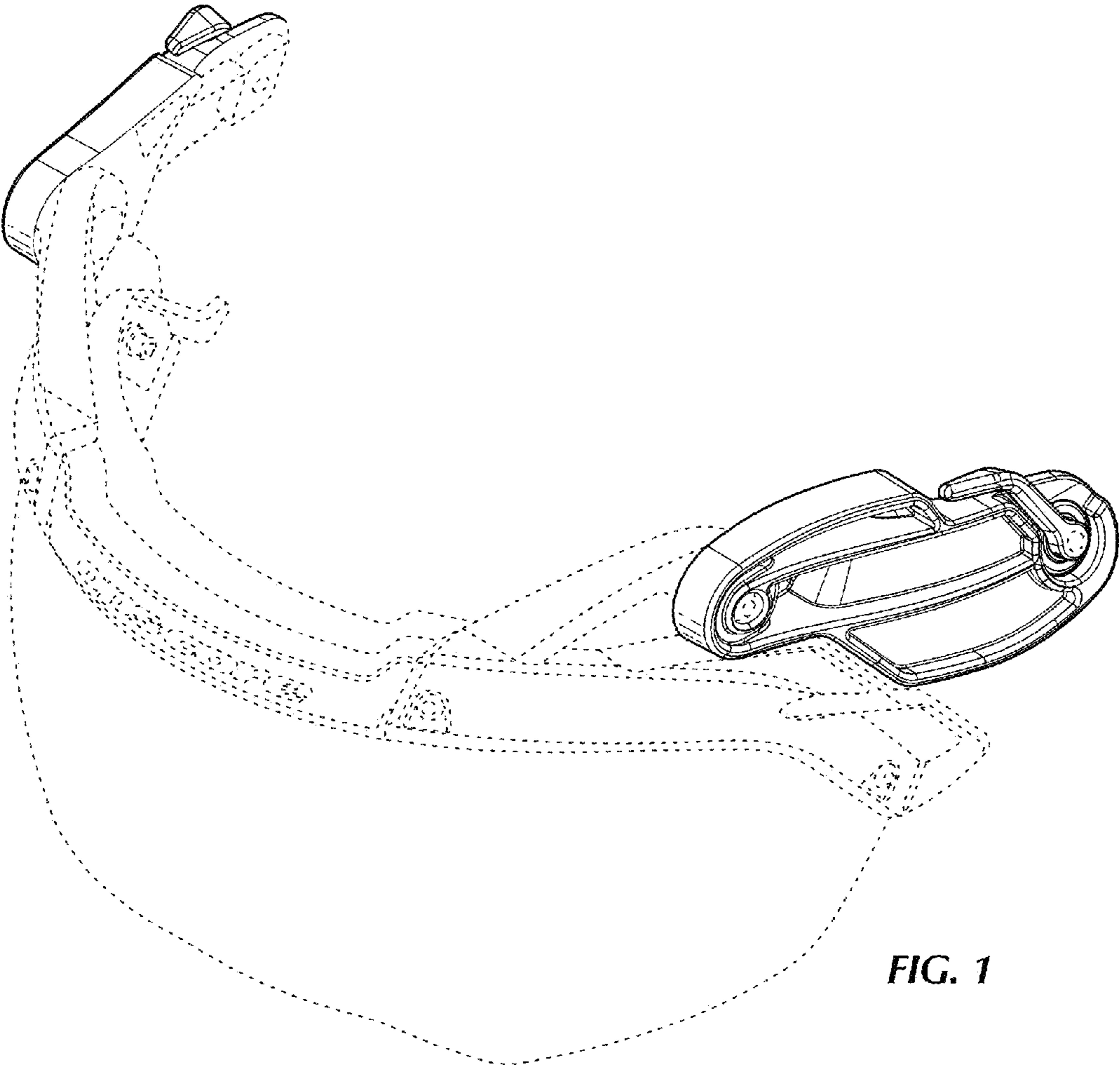
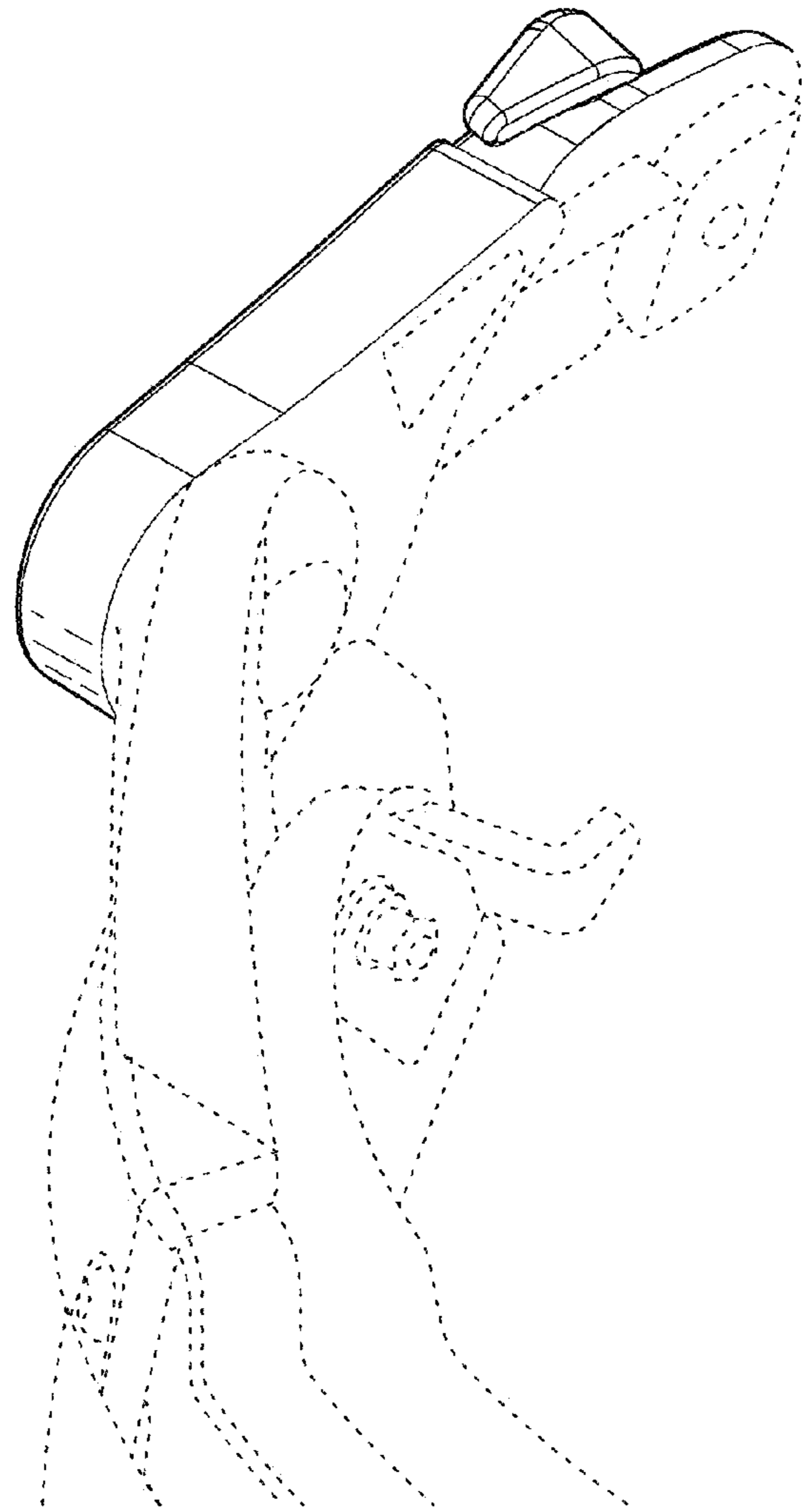


FIG. 1



**FIG. 2**

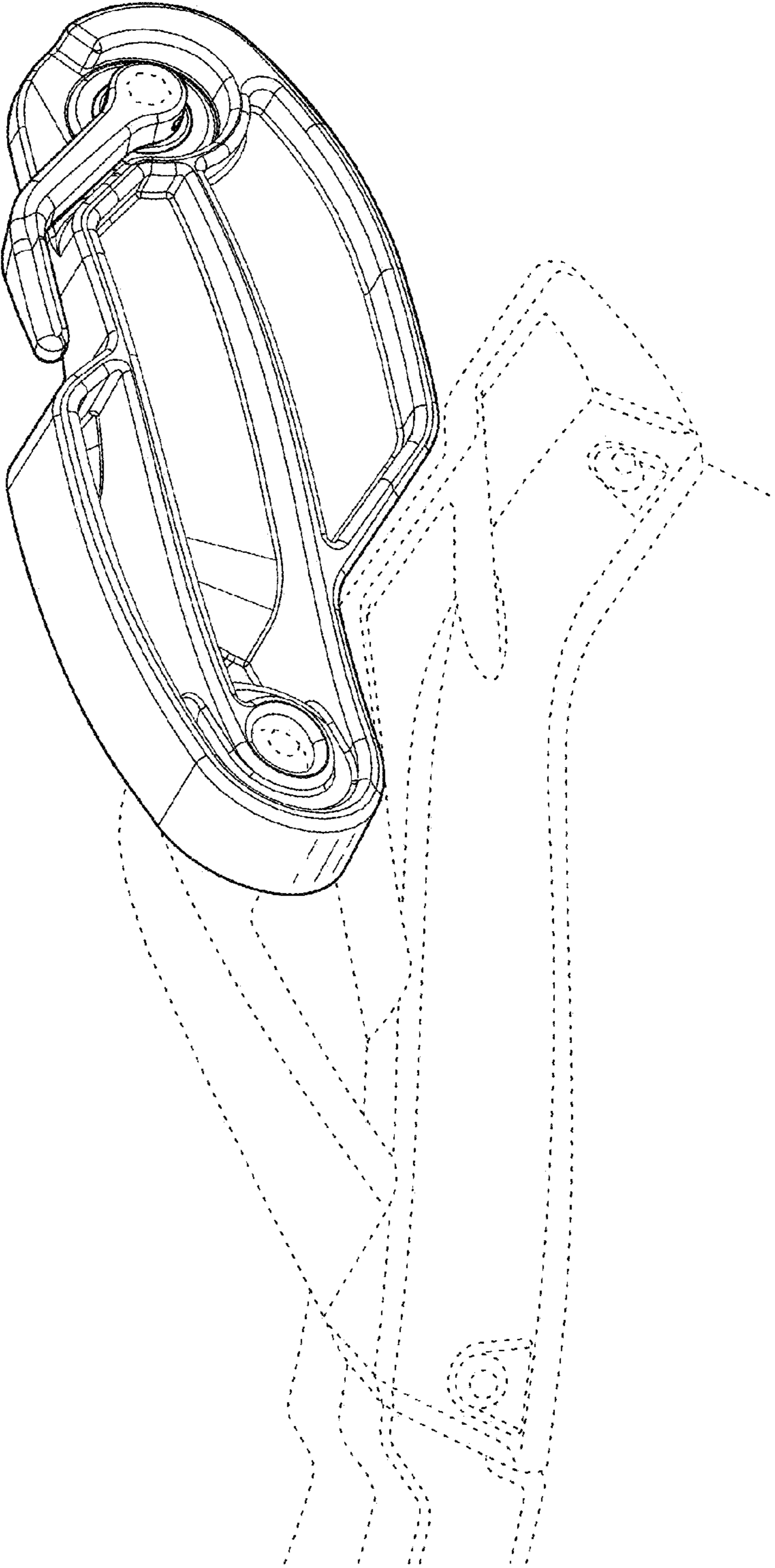
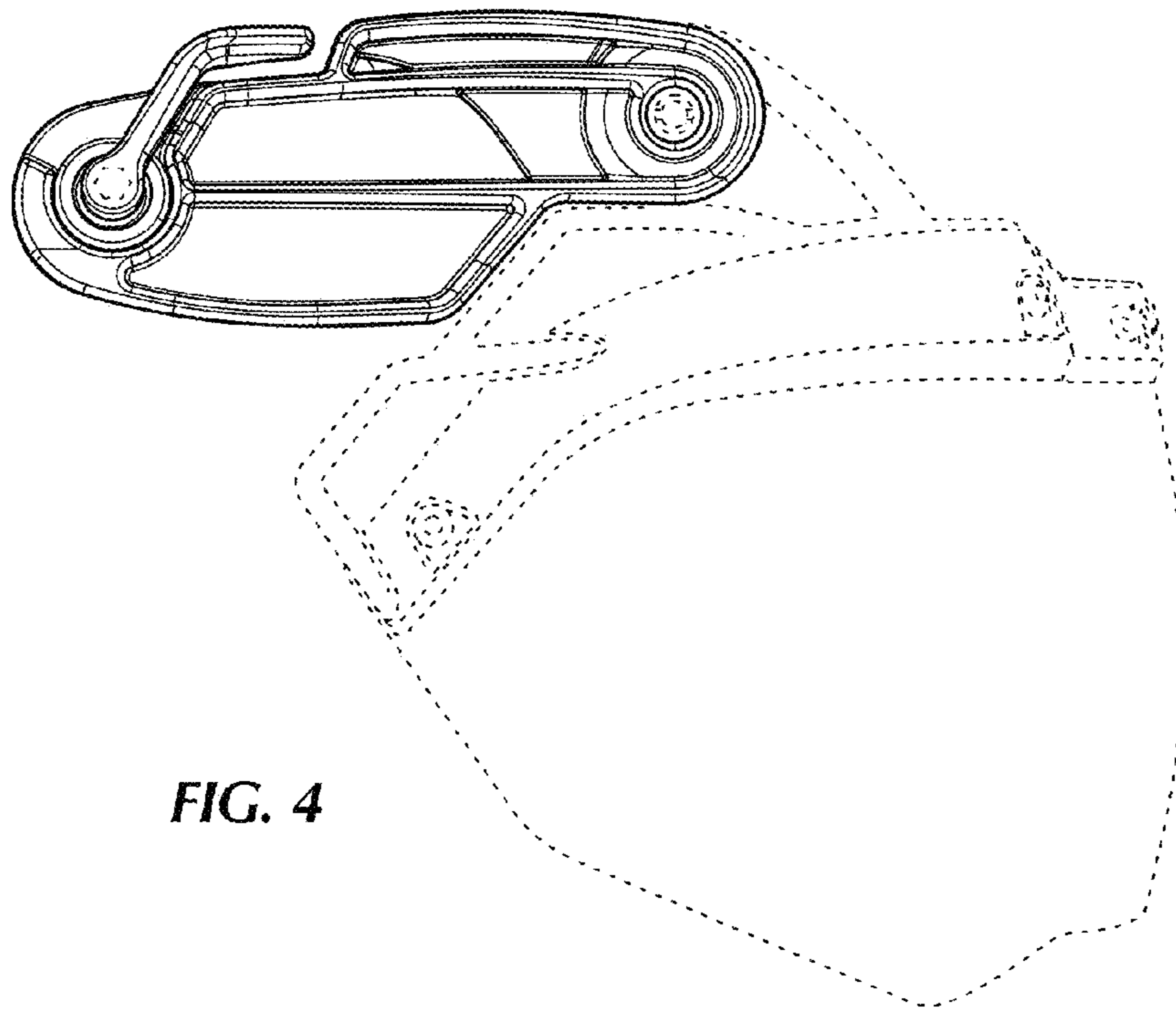


FIG. 3



**FIG. 4**

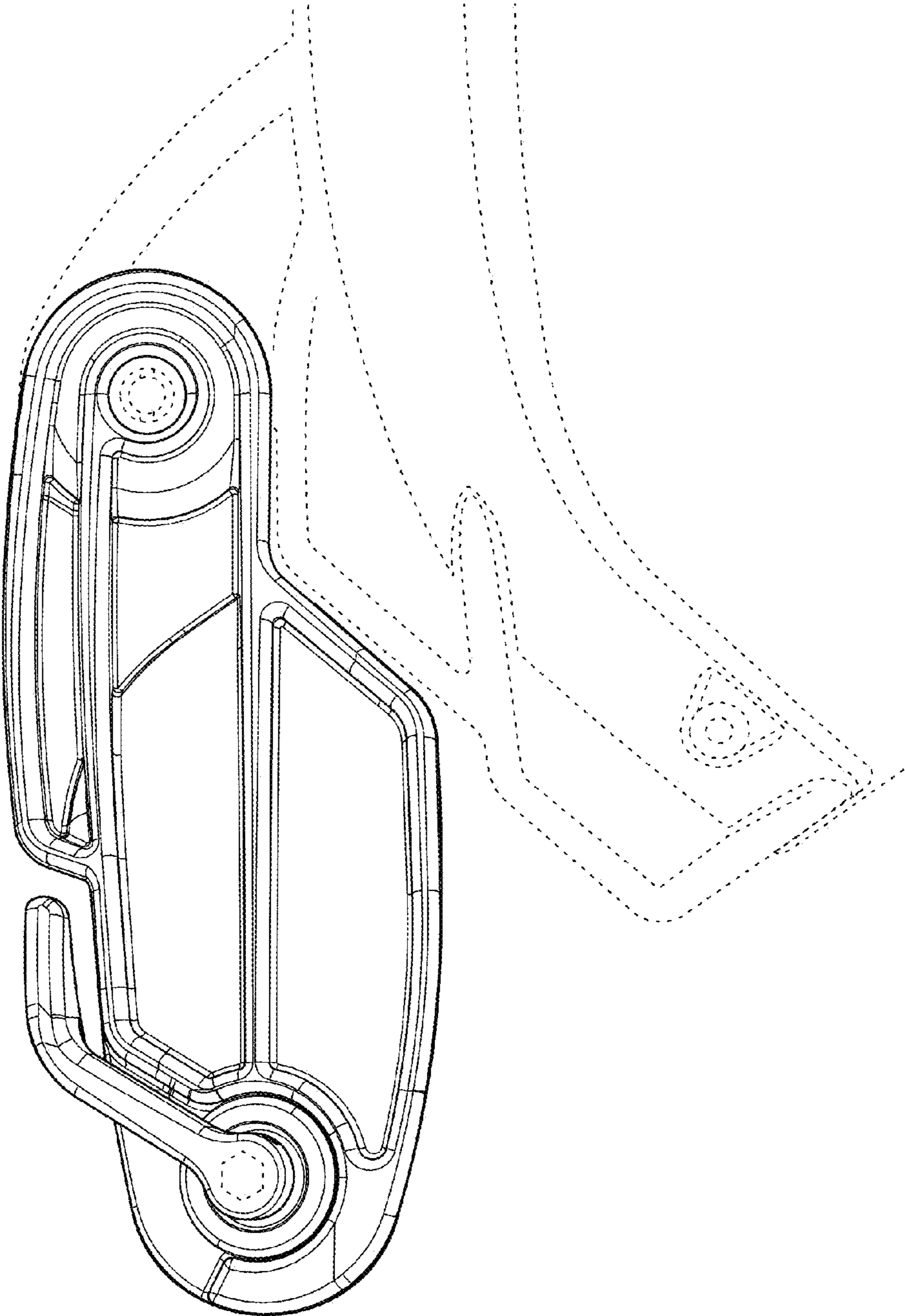


FIG. 5

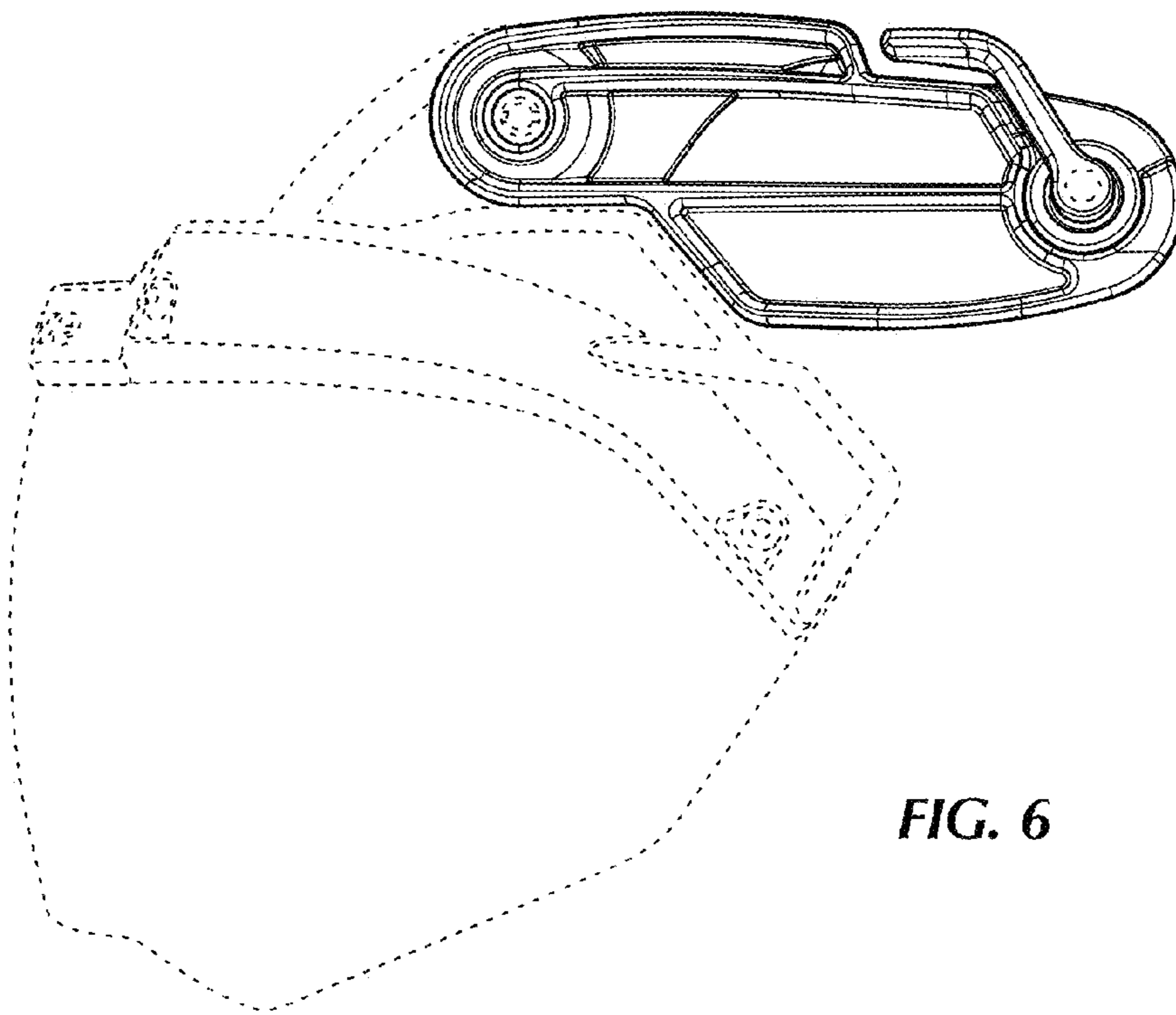


FIG. 6



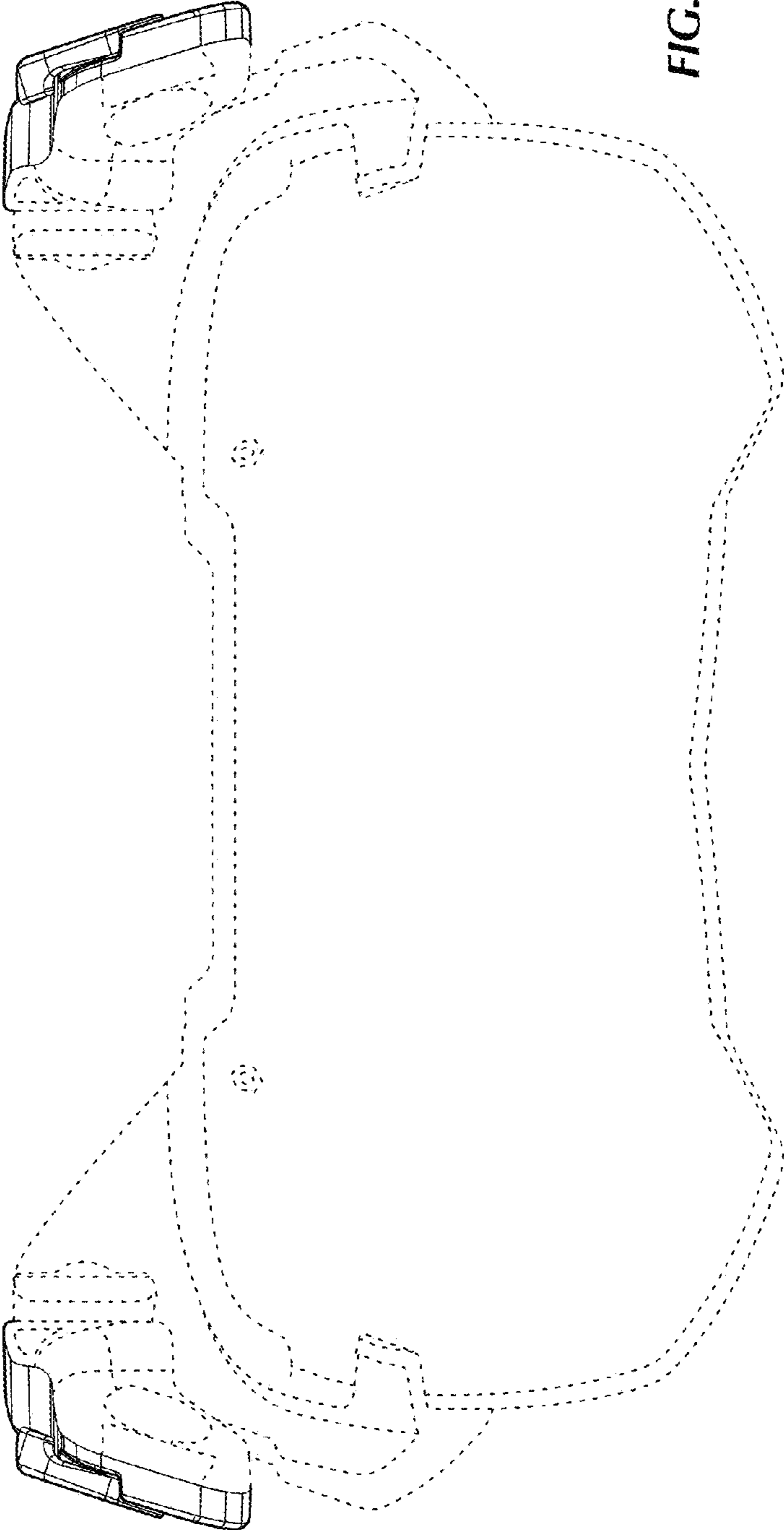


FIG. 7

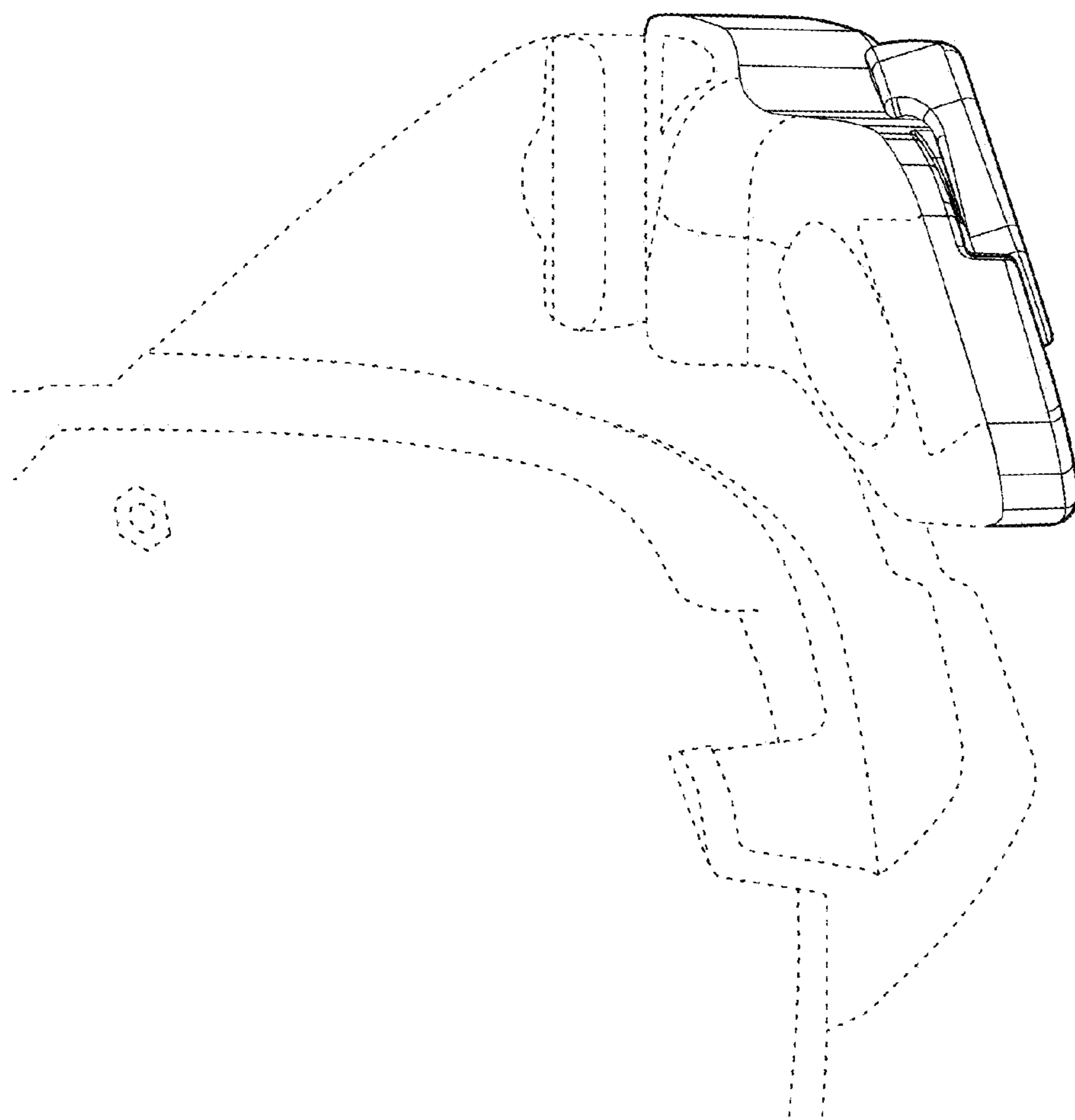


FIG. 8

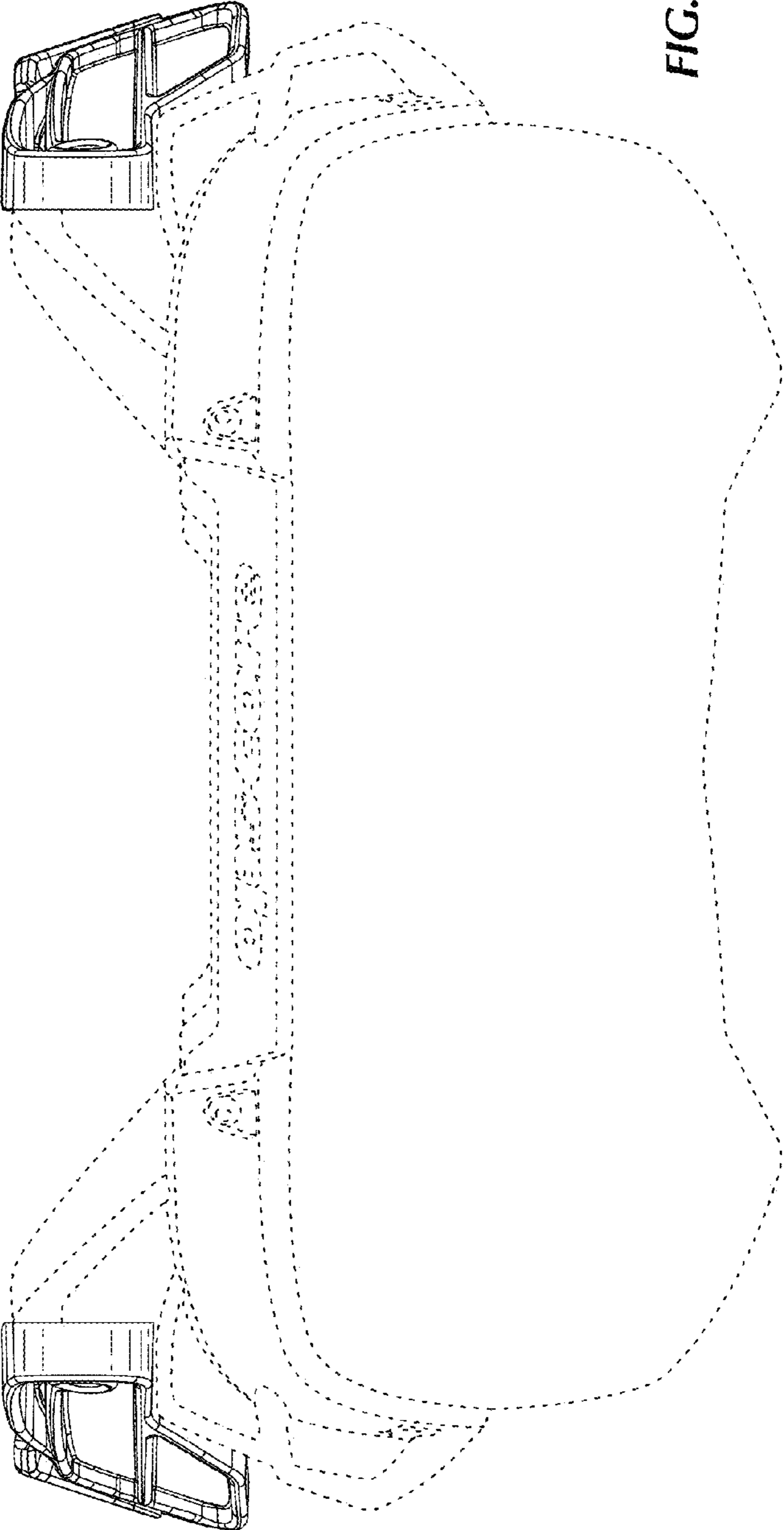
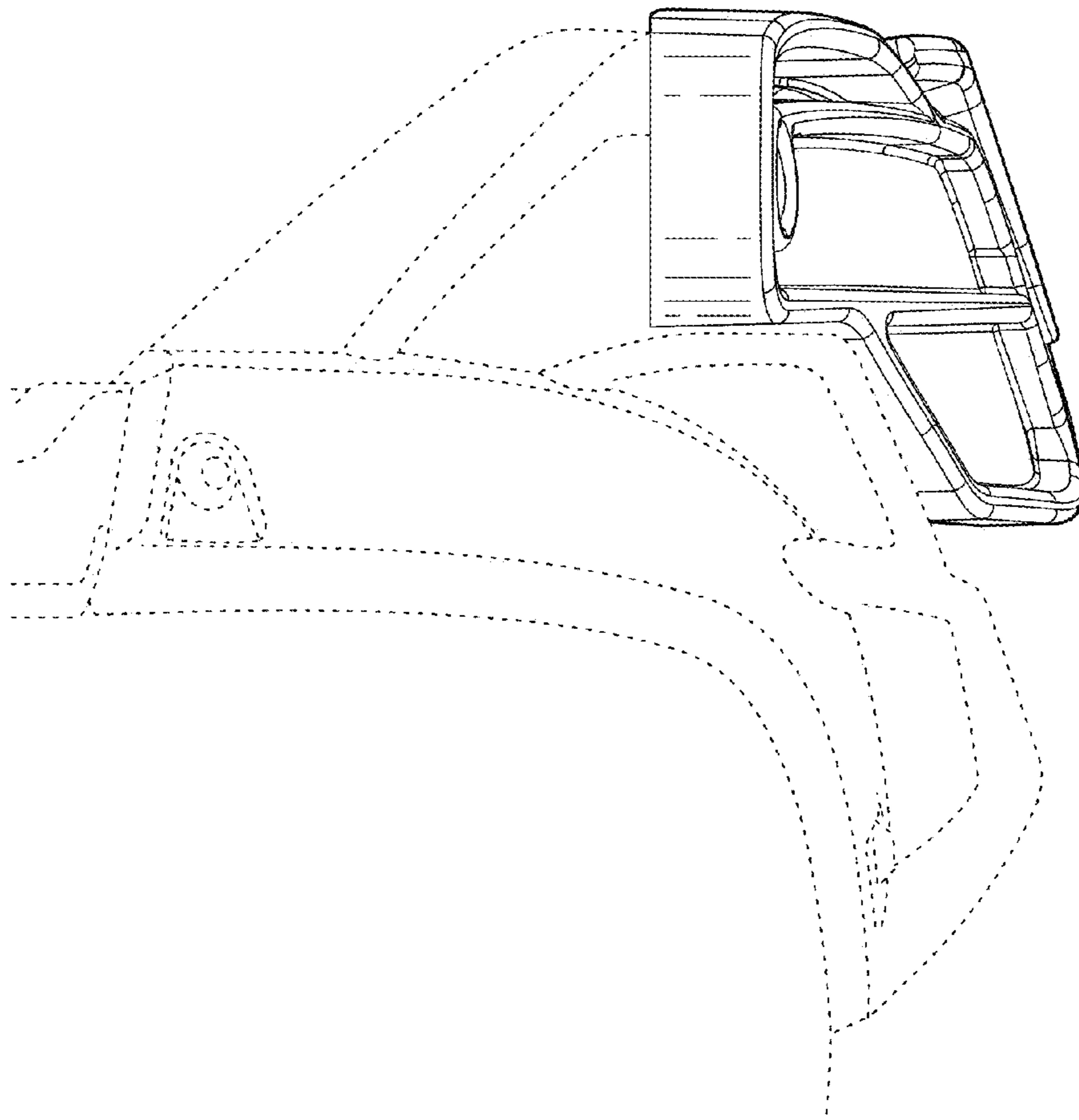


FIG. 9



**FIG. 10**

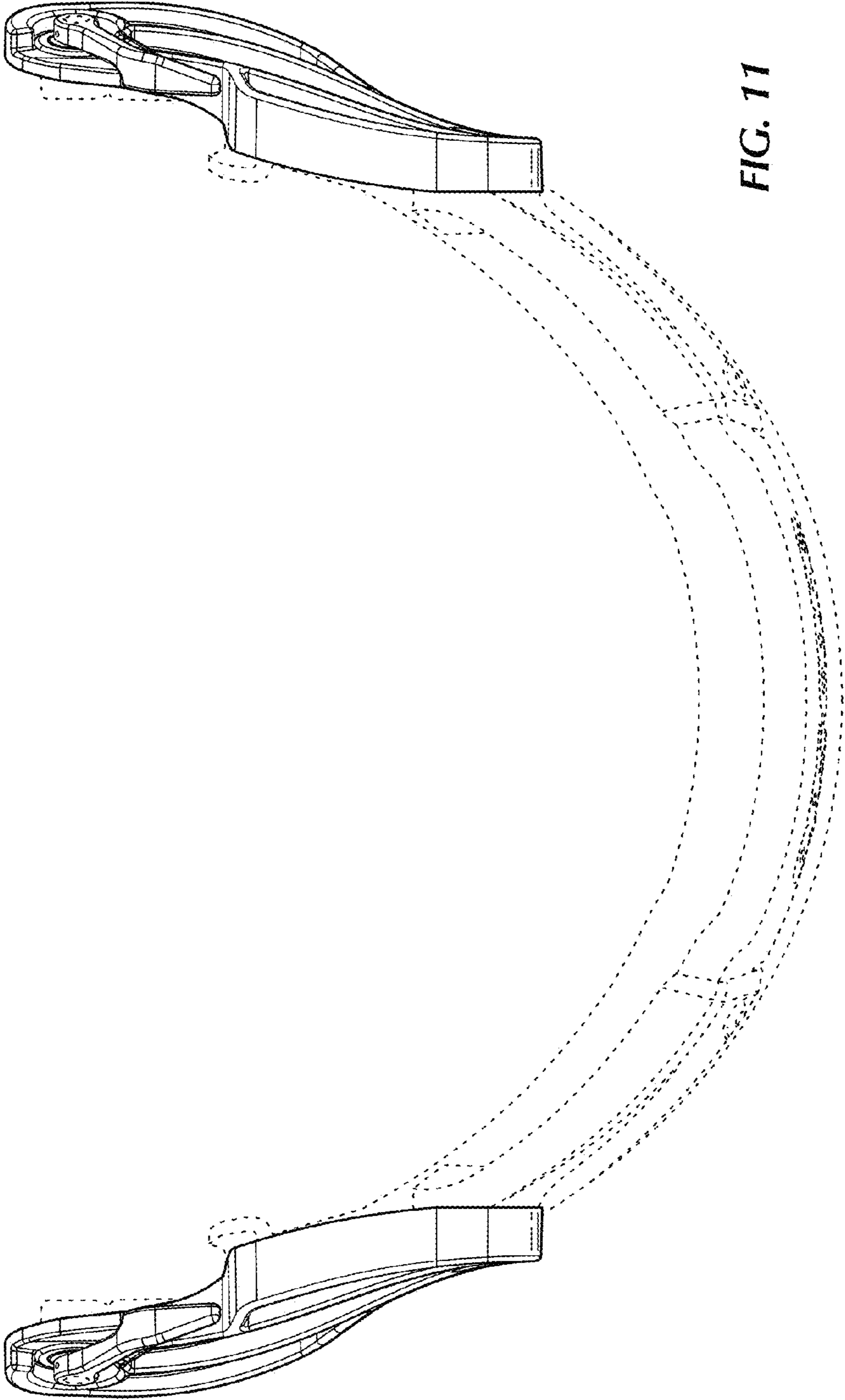


FIG. 11

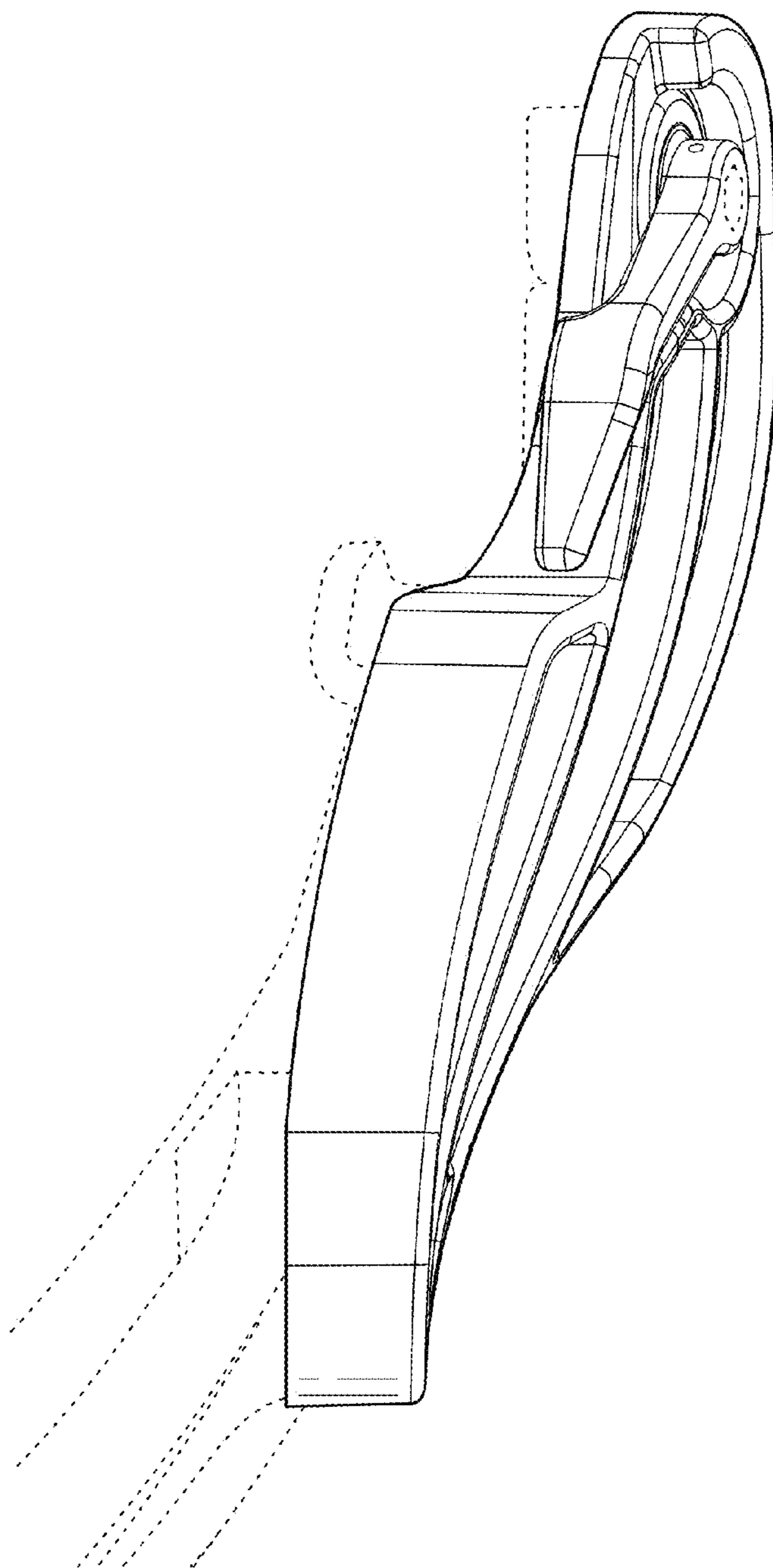
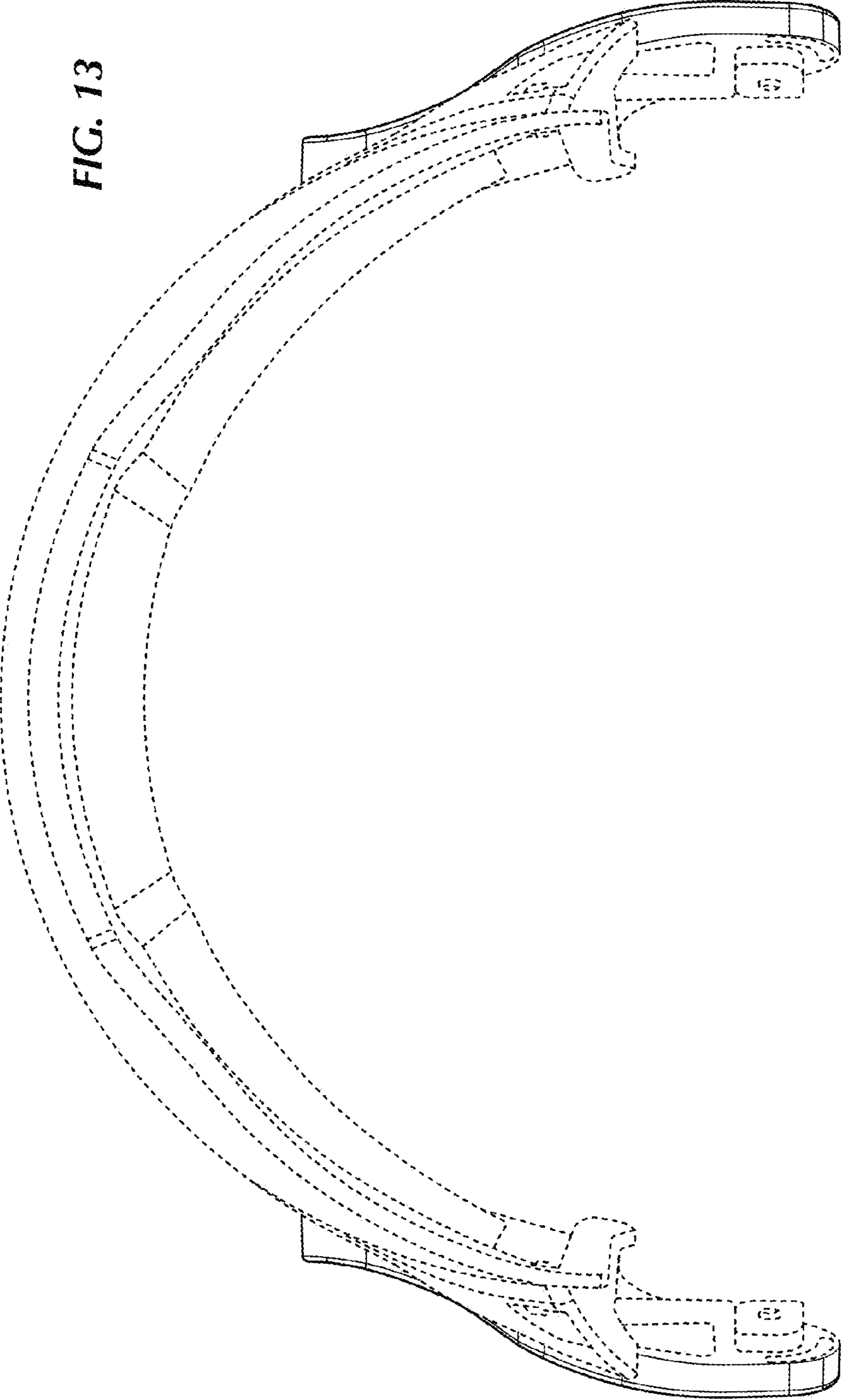
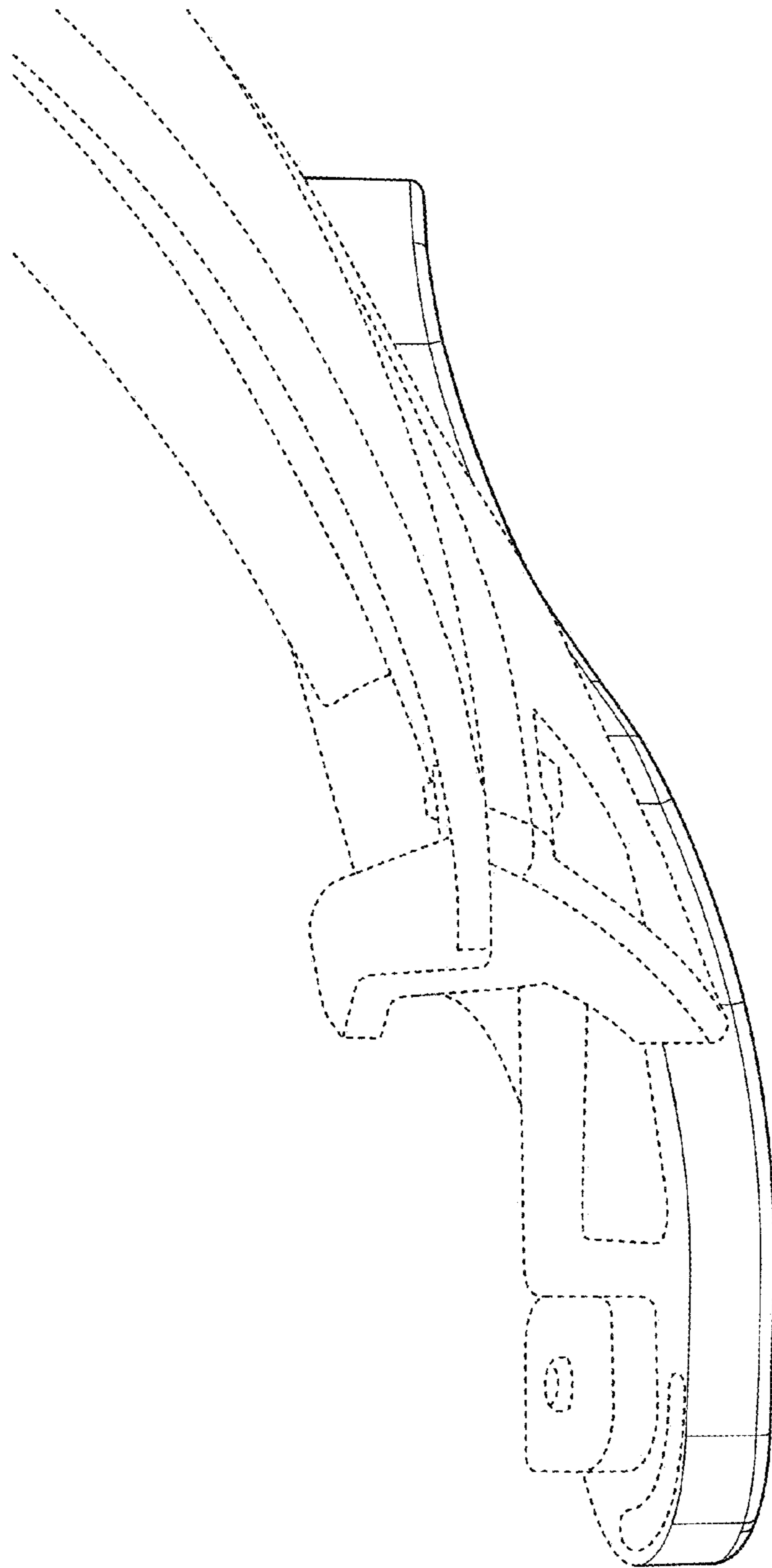


FIG. 12

FIG. 13





**FIG. 14**