



US00D757157S

(12) **United States Design Patent**  
**Huang**

(10) **Patent No.:** **US D757,157 S**  
(45) **Date of Patent:** **\*\* May 24, 2016**

(54) **EYEGLASSES FASTENER**

(71) Applicant: **Wen-Tse Huang**, Kaohsiung (TW)

(72) Inventor: **Wen-Tse Huang**, Kaohsiung (TW)

(\*\*) Term: **14 Years**

(21) Appl. No.: **29/491,274**

(22) Filed: **May 20, 2014**

(51) **LOC (10) Cl.** ..... **16-06**

(52) **U.S. Cl.**  
USPC ..... **D16/330**

(58) **Field of Classification Search**  
USPC ..... D16/101, 300–342, 900; D29/109–110;  
351/41, 44, 51–52, 62, 158, 92,  
351/103–123, 140–153, 63, 59, 45–48;  
2/426–432, 447–449, 441, 434–437,  
2/440, 442, 13, 15; D21/483, 659–661;  
D14/372; D8/356  
CPC ..... G02C 2200/08; G02C 1/06; G02C 5/14;  
G02C 11/02; G02C 11/04; G01C 5/16;  
A61M 2021/0044; A63B 33/002  
See application file for complete search history.

3,943,925 A \* 3/1976 Leight ..... G02C 11/00  
128/866  
D252,896 S \* 9/1979 Jovin ..... 24/410  
4,676,762 A \* 6/1987 Ballard ..... A63H 33/105  
446/104  
D377,532 S \* 1/1997 Lin ..... D21/500  
D416,057 S \* 11/1999 Rudy ..... D21/500  
6,076,927 A \* 6/2000 Owens ..... G02C 5/10  
351/118  
D570,202 S \* 6/2008 Katoh ..... D8/382  
D608,621 S \* 1/2010 Yu Chen ..... D8/356  
2012/0127420 A1\* 5/2012 Blum ..... G02C 1/10  
351/113  
2013/0215383 A1\* 8/2013 Siminou ..... A61B 3/14  
351/206

\* cited by examiner

*Primary Examiner* — Raphael Barkai  
(74) *Attorney, Agent, or Firm* — Alan D. Kamrath; Kamrath IP Lawfirm, P.A.

(57) **CLAIM**  
The ornamental design for an eyeglasses fastener, as shown and described.

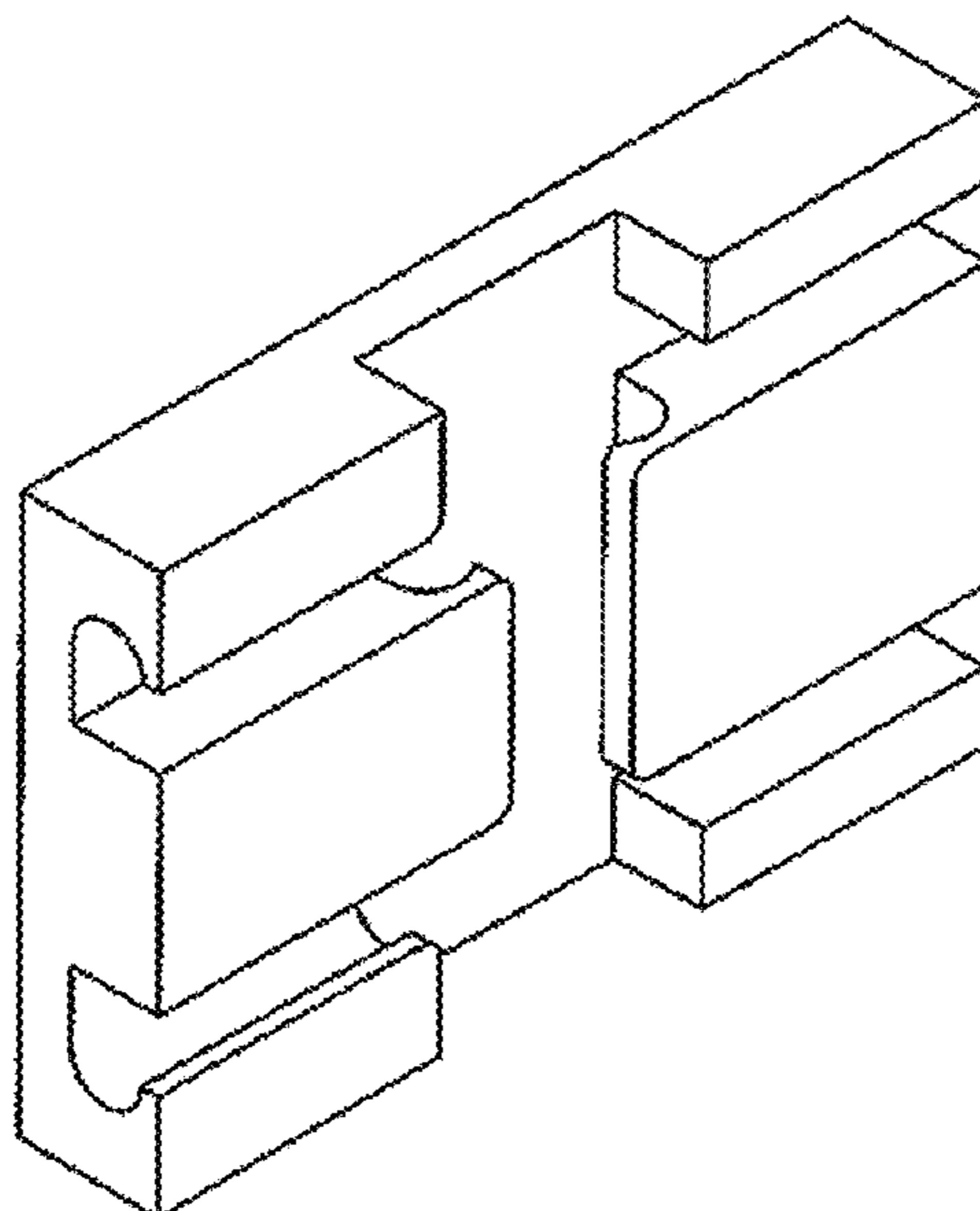
**DESCRIPTION**

FIG. 1 is a perspective view of an eyeglasses fastener showing my design;  
FIG. 2 is a front elevational view thereof;  
FIG. 3 is a rear elevational view thereof;  
FIG. 4 is a left elevational view thereof;  
FIG. 5 is a right elevational view thereof;  
FIG. 6 is a top plan view thereof; and,  
FIG. 7 is a bottom plan view thereof.

**1 Claim, 4 Drawing Sheets**

(56) **References Cited**  
U.S. PATENT DOCUMENTS

1,182,980 A \* 5/1916 Converse ..... A63H 33/062  
446/121  
2,543,460 A \* 2/1951 Larrabee ..... A63H 19/30  
238/10 E  
3,721,490 A \* 3/1973 Prince ..... A61F 9/029  
2/13



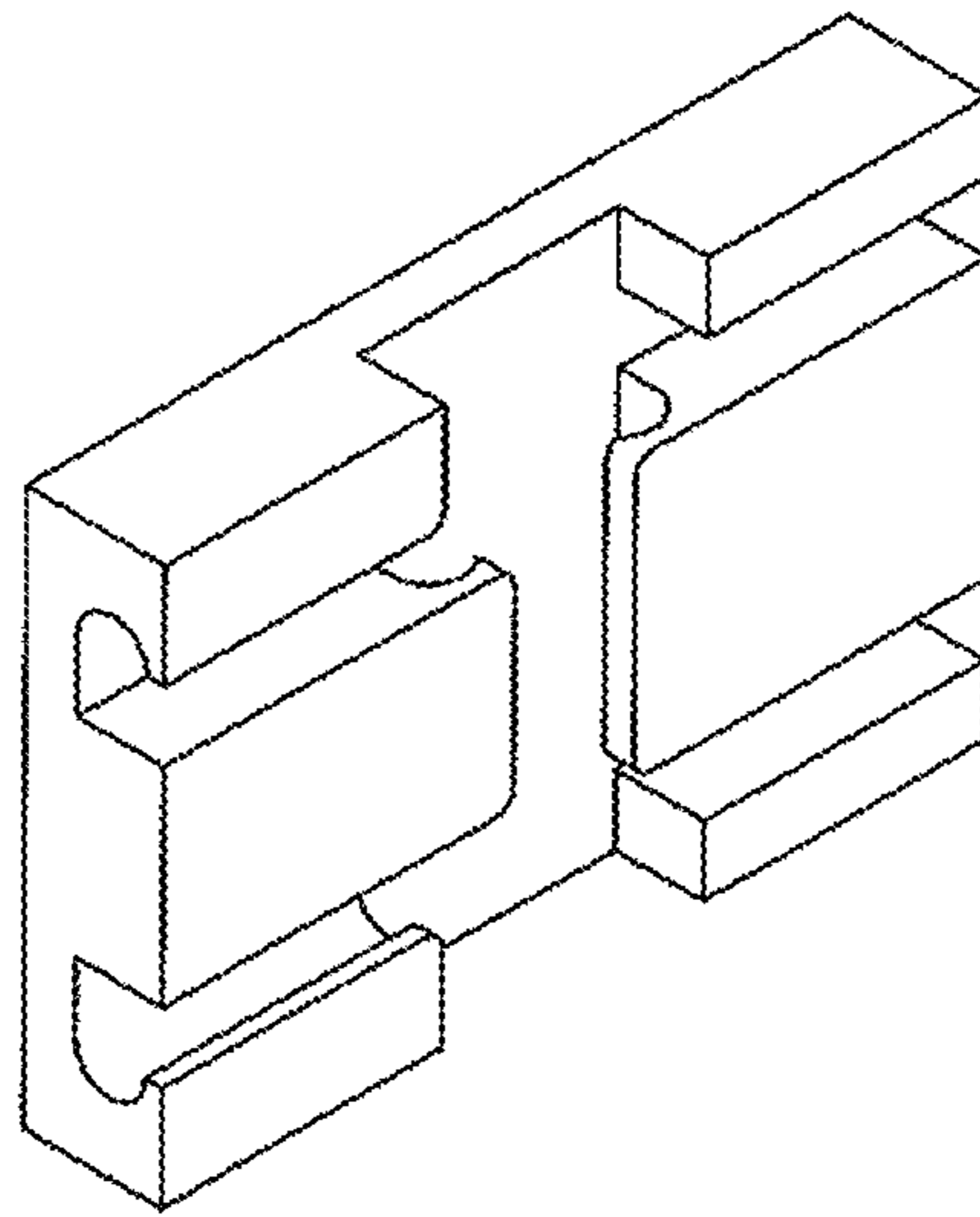


FIG.1

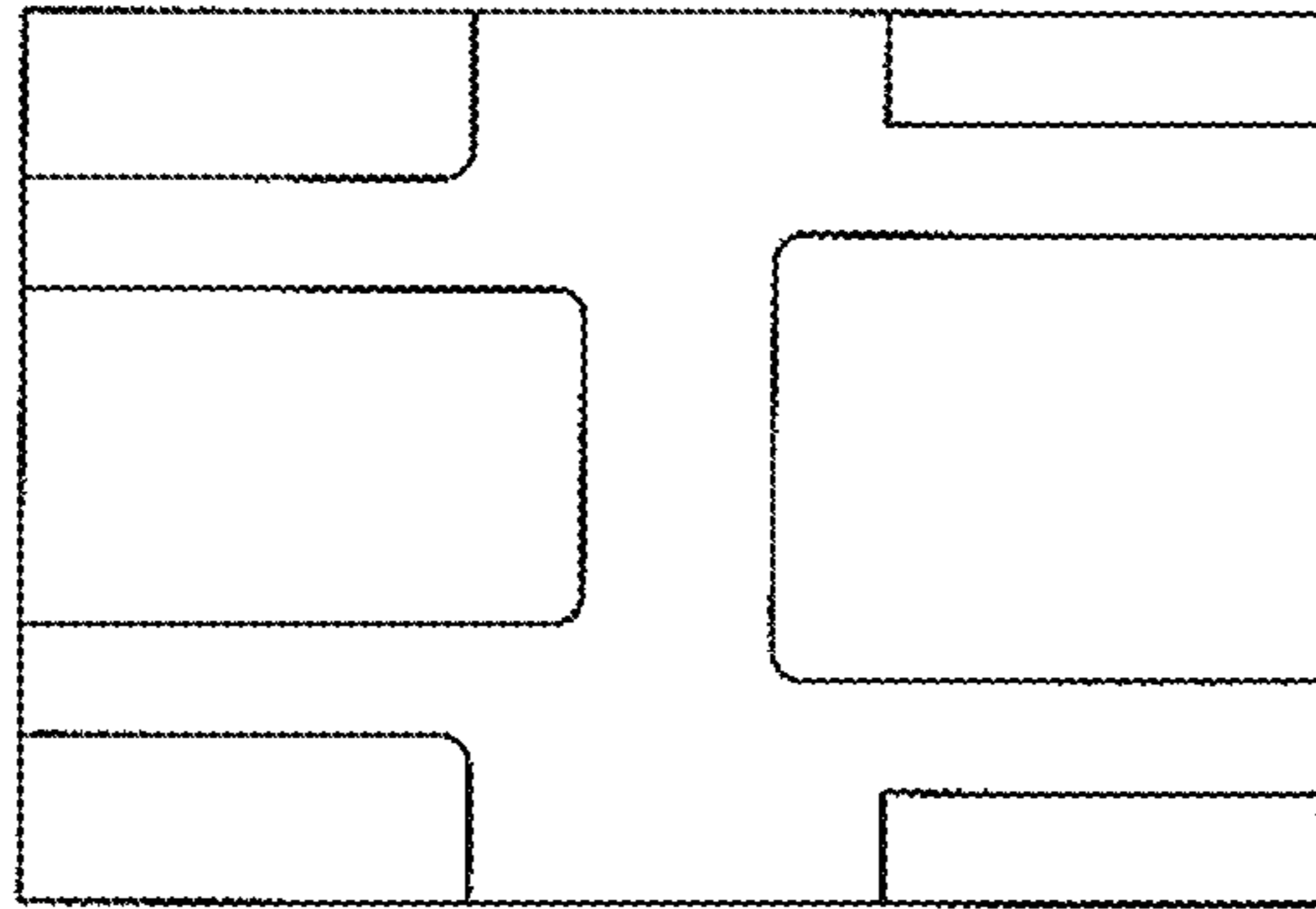


FIG.2

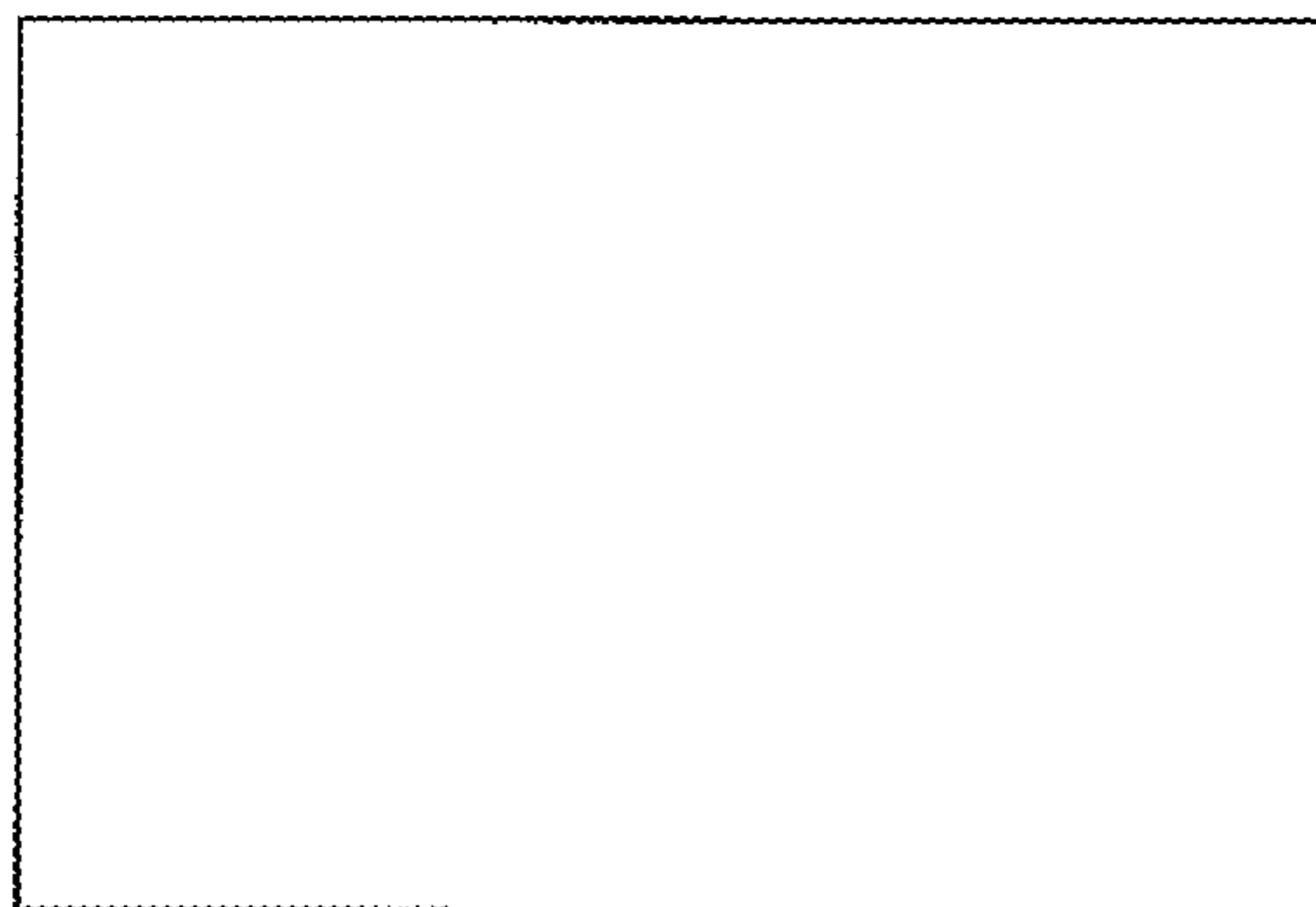


FIG.3



FIG.4



FIG.5



FIG. 6

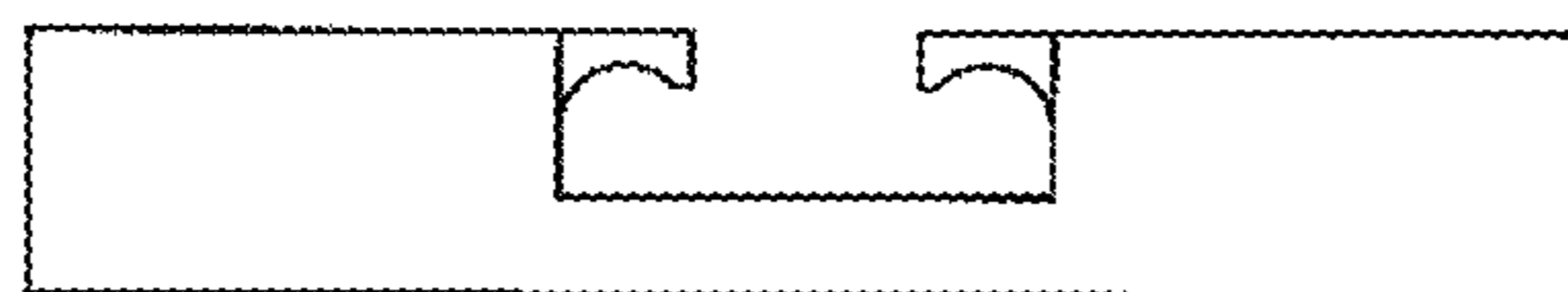


FIG. 7