



US00D757153S

(12) **United States Design Patent**
Gochenour et al.

(10) **Patent No.:** **US D757,153 S**
(45) **Date of Patent:** **** May 24, 2016**

- (54) **WRAP-AROUND GLASSES**
- (71) Applicants: **James W. Gochenour**, Lee's Summit, MO (US); **Brett A. Schmitt**, Shawnee, KS (US)
- (72) Inventors: **James W. Gochenour**, Lee's Summit, MO (US); **Brett A. Schmitt**, Shawnee, KS (US)
- (73) Assignee: **Eyeboas, LLC**, Grandview, MO (US)
- (**) Term: **14 Years**
- (21) Appl. No.: **29/486,378**
- (22) Filed: **Mar. 28, 2014**
- (51) **LOC (10) Cl.** **16-06**
- (52) **U.S. Cl.**
USPC **D16/306**; D16/325; D16/300; D16/311
- (58) **Field of Classification Search**
USPC D16/101, 300-342, 900; D29/109-110; 351/41, 44, 51-52, 62, 158, 92, 351/103-123, 140-153, 63, 59, 45-48; 2/426-432, 447-449, 441, 434-437, 2/440, 442, 13, 15; D21/483, 659-661; D14/372
CPC G02C 2200/08; G02C 1/06; G02C 5/14; G02C 5/16; G02C 11/02; G02C 11/04; A61M 2021/0044; A63B 33/002
See application file for complete search history.

- 5,886,771 A * 3/1999 Osgood G02B 27/26 348/E13.004
- D410,021 S * 5/1999 Heyman D16/301
- 5,938,014 A * 8/1999 Wilkinson B65D 81/36 206/216
- 6,902,272 B2 * 6/2005 Woford G02C 3/003 2/435
- 7,011,405 B2 3/2006 Chen
- D547,789 S * 7/2007 Eaton D16/312
- D586,377 S * 2/2009 Robles D16/306
- 7,748,843 B2 7/2010 Stewart
- 8,070,288 B2 * 12/2011 Heyman G02C 3/003 351/156
- D662,965 S * 7/2012 Carlow D16/309
- 2012/0038877 A1 2/2012 Burns et al.

OTHER PUBLICATIONS

“Eyelet: Bracelet Sunglasses Hybrid Facebook Page”, <https://www.facebook.com/Eyelet.Bracelet.Sunglasses>, Accessed Sep. 10, 2013.
 “Eyelet: Bracelet Sunglasses Hybrid Indiegogo Page”, <https://www.indiegogo.com/projects/eyelet-bracelet-sunglasses-hybrid>, Accessed Sep. 10, 2013.

* cited by examiner

Primary Examiner — Raphael Barkai
 (74) *Attorney, Agent, or Firm* — Law Office of Mark Brown, LLC; Christopher M. DeBacker; Mark E. Brown

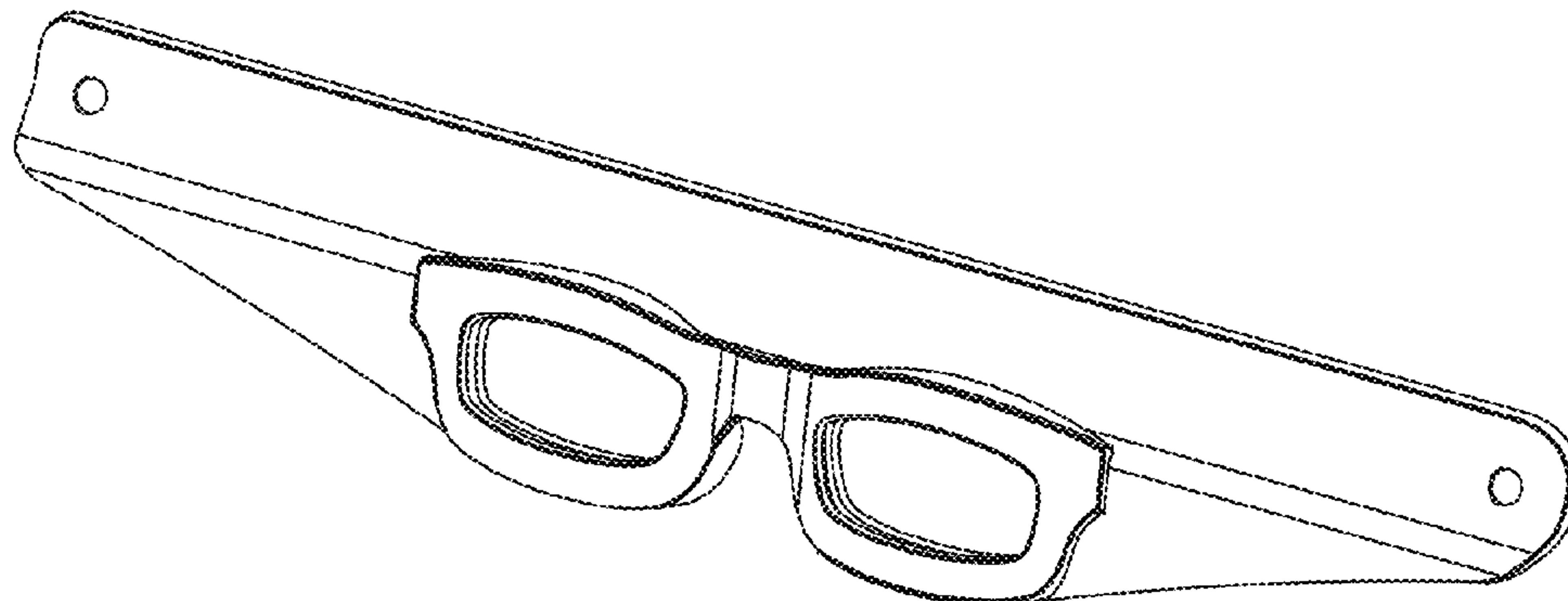
(57) **CLAIM**
 The ornamental design for wrap-around glasses, as shown and described.

- (56) **References Cited**
U.S. PATENT DOCUMENTS
 2,323,518 A * 7/1943 Cochran G02C 5/006 351/49
 4,908,878 A * 3/1990 Tarragano A61F 9/04 128/206.13
 5,153,619 A 10/1992 Nix
 5,435,006 A * 7/1995 Kitayama A61F 9/04 2/15
 5,559,632 A * 9/1996 Lawrence G02B 27/2207 348/E13.008
 5,614,963 A * 3/1997 Parker G02C 7/10 2/13

DESCRIPTION

FIG. 1 is an isometric perspective view from the front of wrap-around glasses.
 FIG. 2 is an isometric perspective view thereof from the rear.
 FIG. 3 is a front elevational view thereof.
 FIG. 4 is a rear elevational view thereof.
 FIG. 5 is a bottom plan view thereof.
 FIG. 6 is a top plan view thereof; and,
 FIG. 7 is a right side elevational view thereof, the left side is a mirror image thereof.

1 Claim, 3 Drawing Sheets



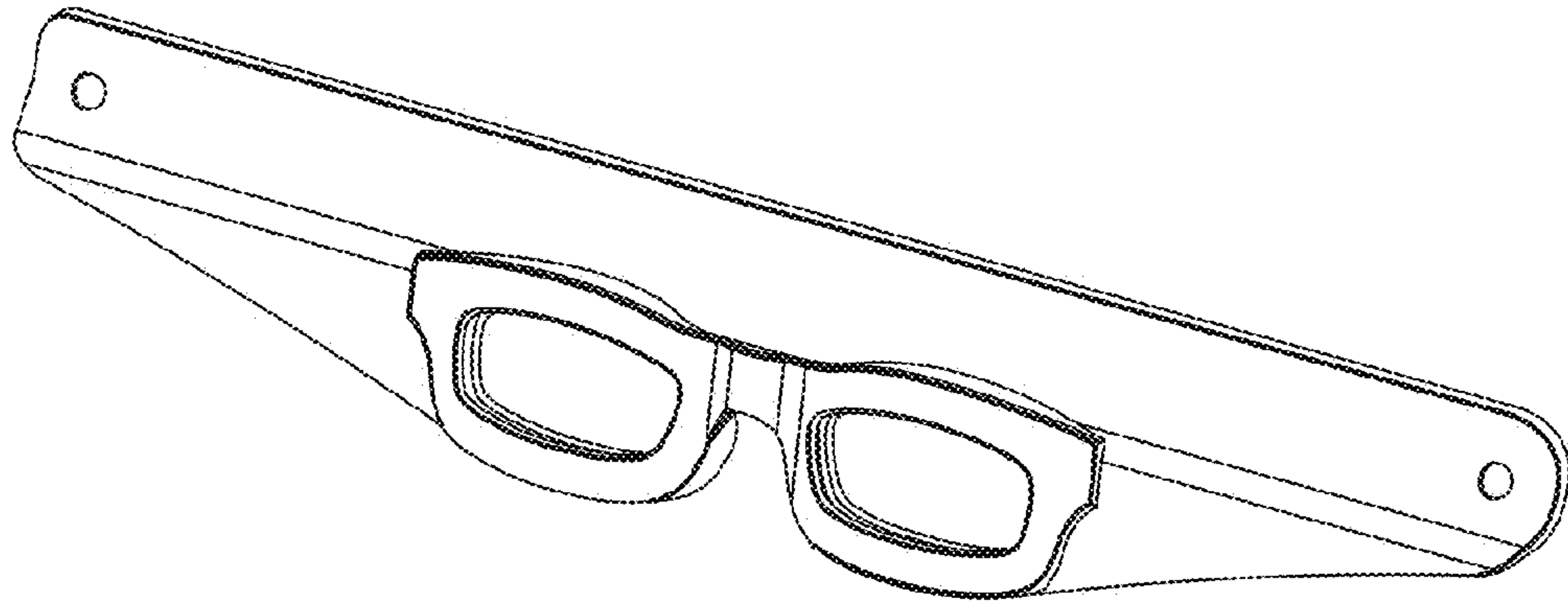


FIG. 1

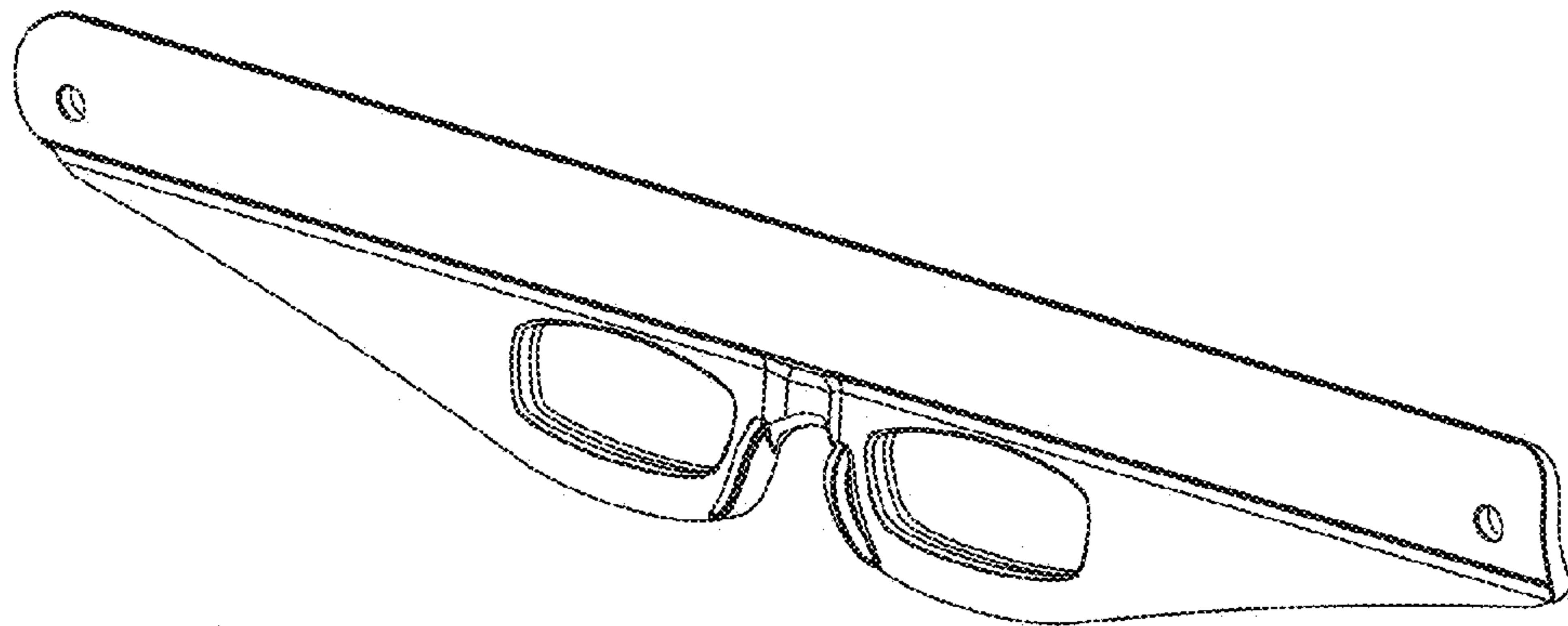


FIG. 2

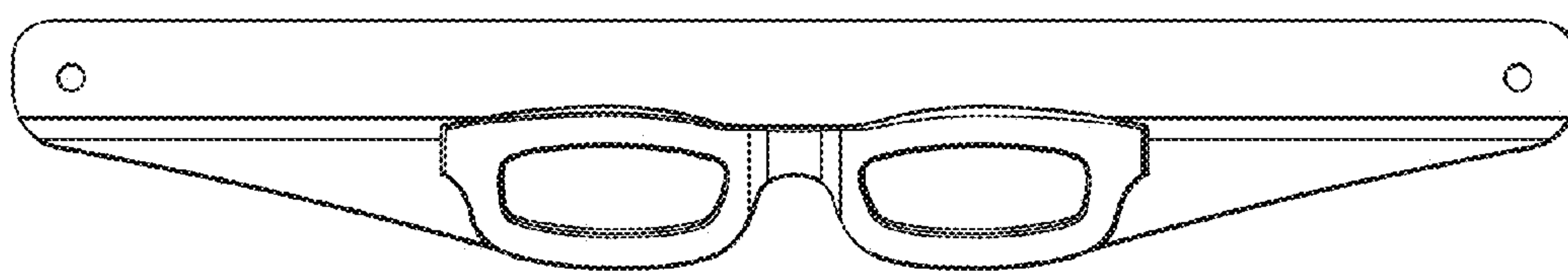


FIG. 3

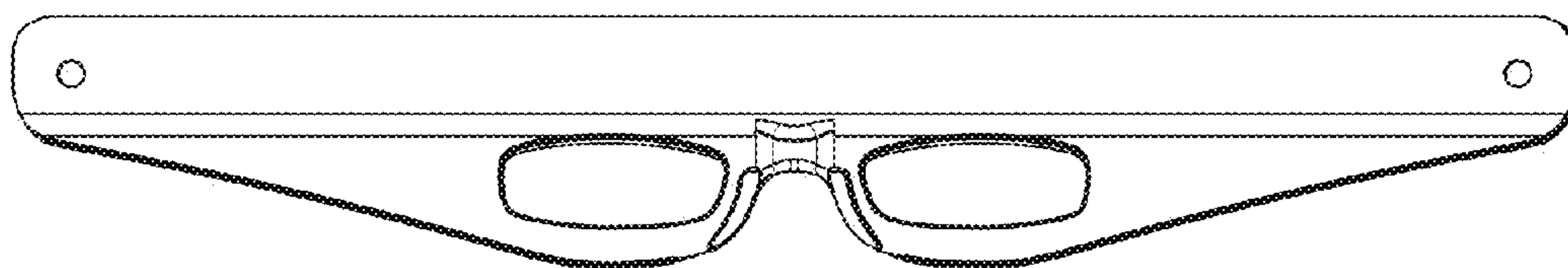


FIG. 4



FIG. 5



FIG. 6



FIG. 7