



US00D757152S

(12) **United States Design Patent**
Orton et al.

(10) **Patent No.:** **US D757,152 S**
(45) **Date of Patent:** **** May 24, 2016**

(54) **DEVICE HOLDER AND ACTIVATION APPARATUS**

(71) Applicant: **KNEKT Industries Ltd.**, Kailua, HI (US)

(72) Inventors: **Benjamin Bodi Orton**, Clearlake, WA (US); **Kyle Christopher Maligro**, Kalaheo, HI (US); **Harry Reed Antipala**, Kailua, HI (US)

(73) Assignee: **KNEKT Industries Ltd.**, Kailua, HI (US)

(**) Term: **15 Years**

(21) Appl. No.: **29/528,486**

(22) Filed: **May 28, 2015**

Related U.S. Application Data

(63) Continuation of application No. 29/486,720, filed on Apr. 2, 2014, now Pat. No. Des. 730,973.

(51) **LOC (10) Cl.** **16-05**

(52) **U.S. Cl.**
USPC **D16/242**

(58) **Field of Classification Search**
USPC D16/205, 208, 211, 214, 218-220, 235, D16/237-250, 302, 303; D8/349, 354, 363, D8/394, 395
CPC G03B 17/02; G03B 17/14; G03B 17/26; G03B 17/30; G03B 17/56; G03B 17/561-17/568; H04N 5/2251-5/2254; F16M 11/14; F16M 11/26; F16M 13/04; B66F 3/10
See application file for complete search history.

(56) **References Cited**

U.S. PATENT DOCUMENTS

2,920,853 A * 1/1960 Bufogle E03D 1/33 108/49
D226,237 S * 1/1973 Quinn D16/239

D283,031 S * 3/1986 Sadre-Marandi D10/38
D367,284 S * 2/1996 Hoerter D16/242
D597,121 S * 7/2009 McKay D16/245
D663,190 S * 7/2012 Mota D16/242
D663,609 S * 7/2012 Ogden, Jr. D8/354
D690,760 S * 10/2013 Huang D16/242
D701,261 S * 3/2014 Burton D16/242
D701,554 S * 3/2014 Huguley D16/243
D707,744 S * 6/2014 Shimizu D16/206
D715,847 S * 10/2014 Herrero D16/243
D730,973 S * 6/2015 Orton D16/243
2004/0164211 A1 * 8/2004 Orona B60N 2/4666 248/214

* cited by examiner

Primary Examiner — Susan Bennett Hattan

Assistant Examiner — Vy Koenig

(74) *Attorney, Agent, or Firm* — Ash Tankha; Lipton, Weinberger & Husick

(57) **CLAIM**

The ornamental design for a device holder and activation apparatus, as shown and described.

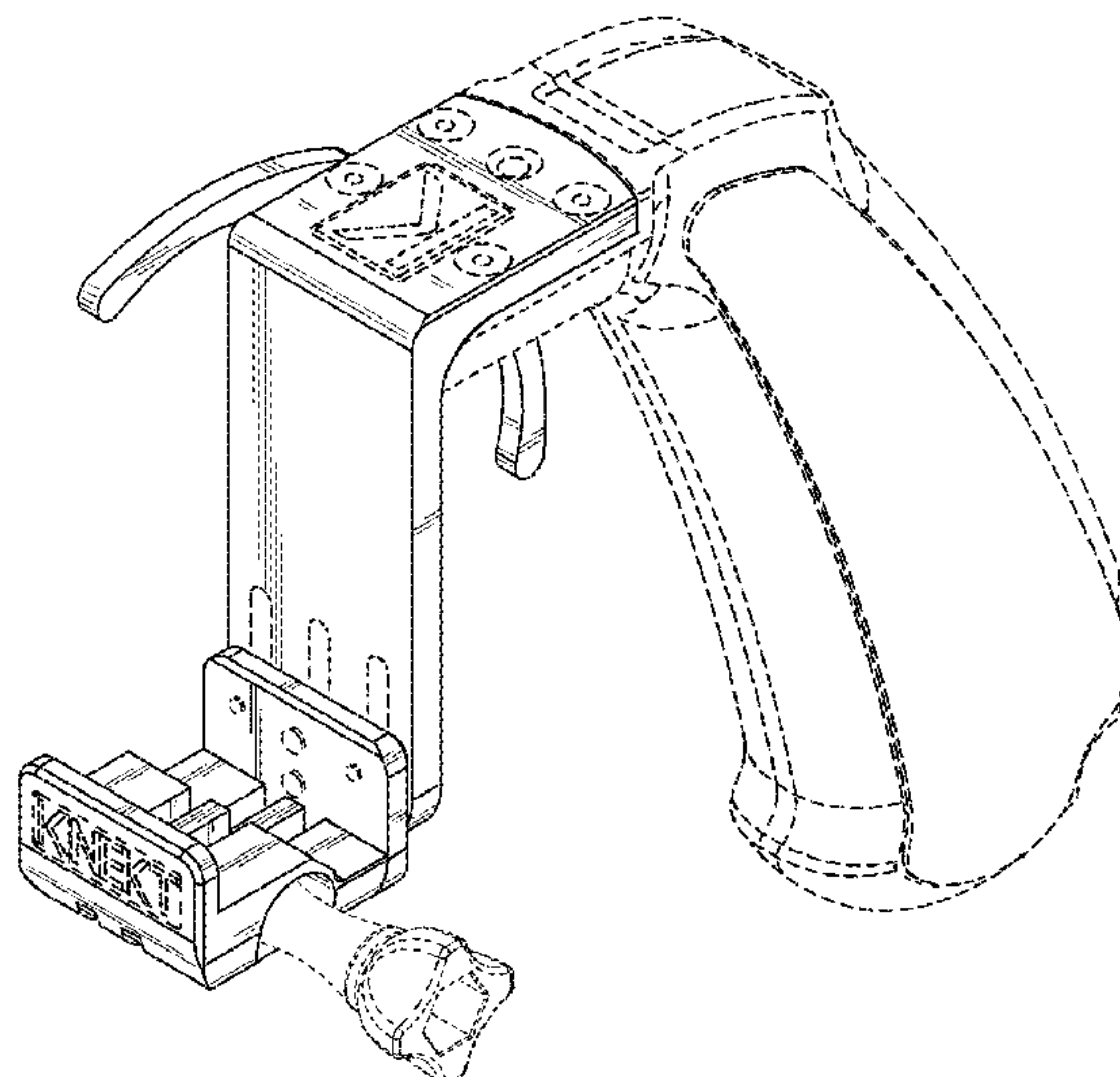
DESCRIPTION

FIG. 1 is a right side isometric view of an ornamental design for a device holder and activation apparatus;
FIG. 2 is a front elevation view thereof;
FIG. 3 is a rear elevation view thereof;
FIG. 4 is a top plan view thereof;
FIG. 5 is a bottom view thereof;
FIG. 6 is a right side elevation view thereof;
FIG. 7 is a left side elevation view thereof; and,
FIG. 8 is a left side isometric view thereof.

The broken line showing of portions of the drawings in FIGS. 1-8 depict portions of the device holder and activation apparatus that forms no part of the claimed design.

The mark “KNEKT” shown in broken lines is a trademark for which an application has been filed for registration, U.S. Trademark Serial No. 86320821, and owned by KNEKT Industries Ltd.

1 Claim, 8 Drawing Sheets



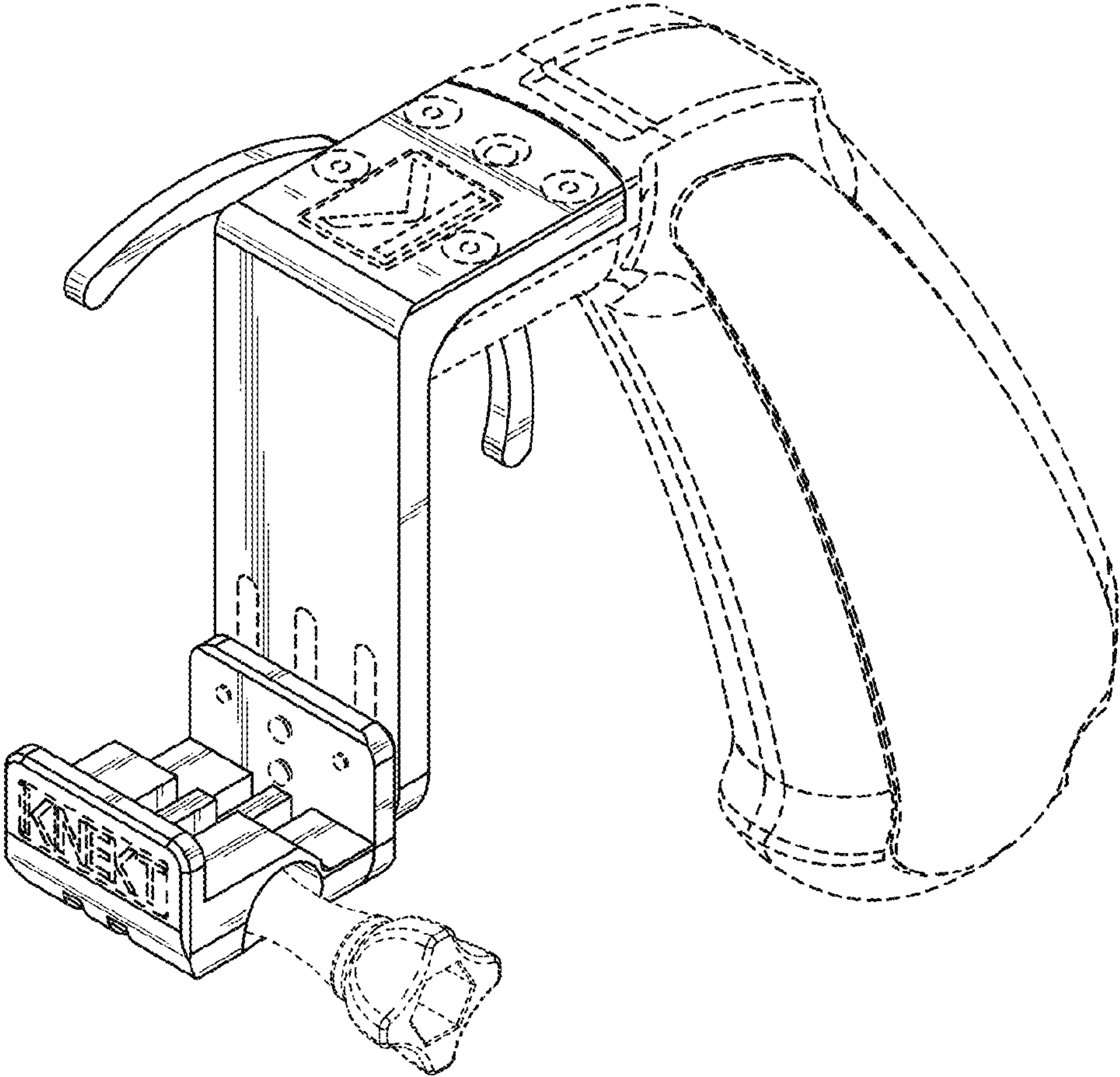


FIG. 1

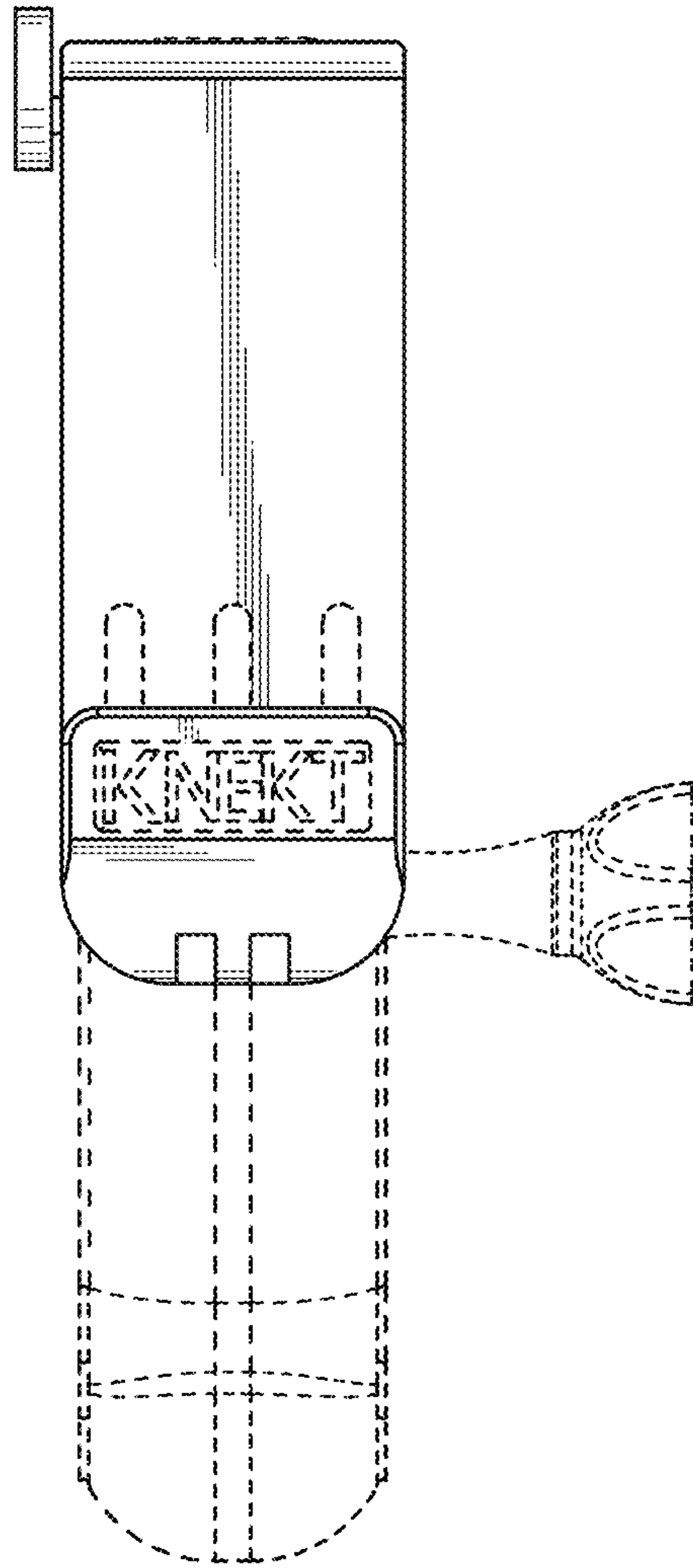


FIG. 2

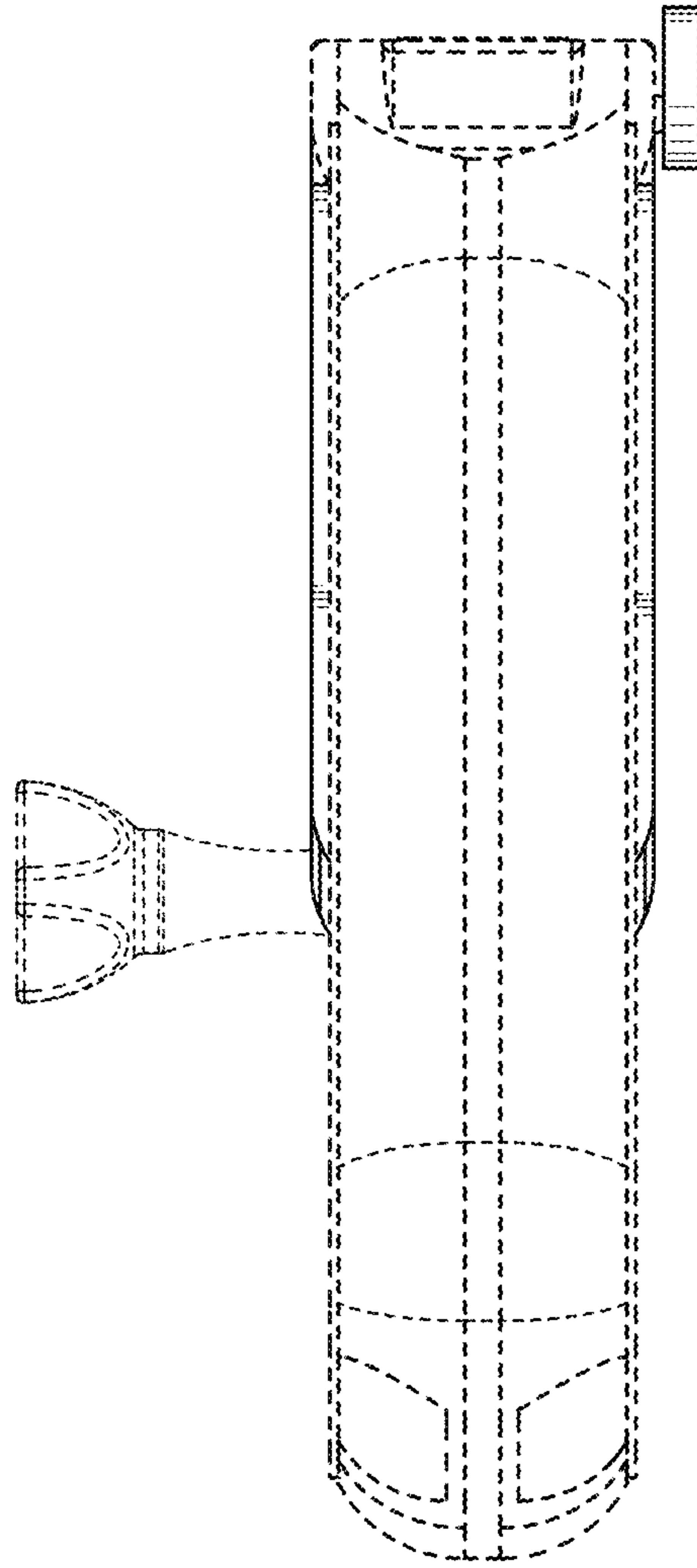


FIG. 3

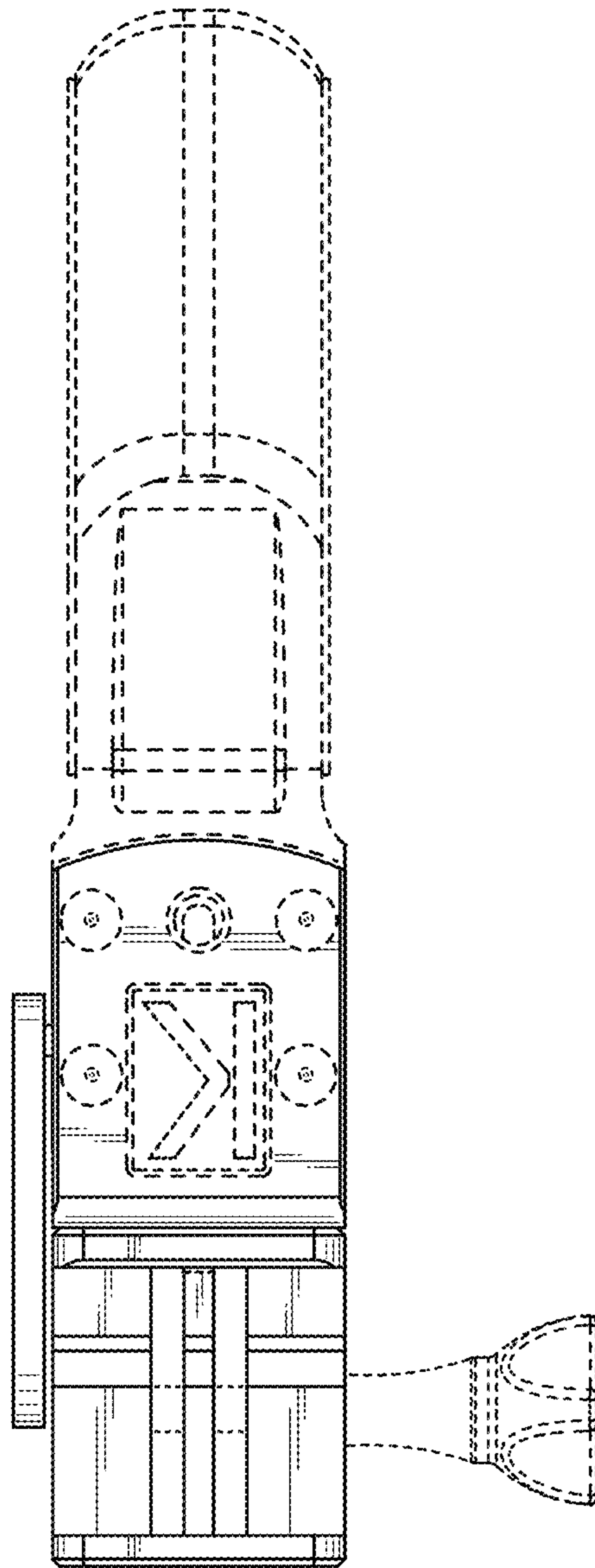


FIG. 4

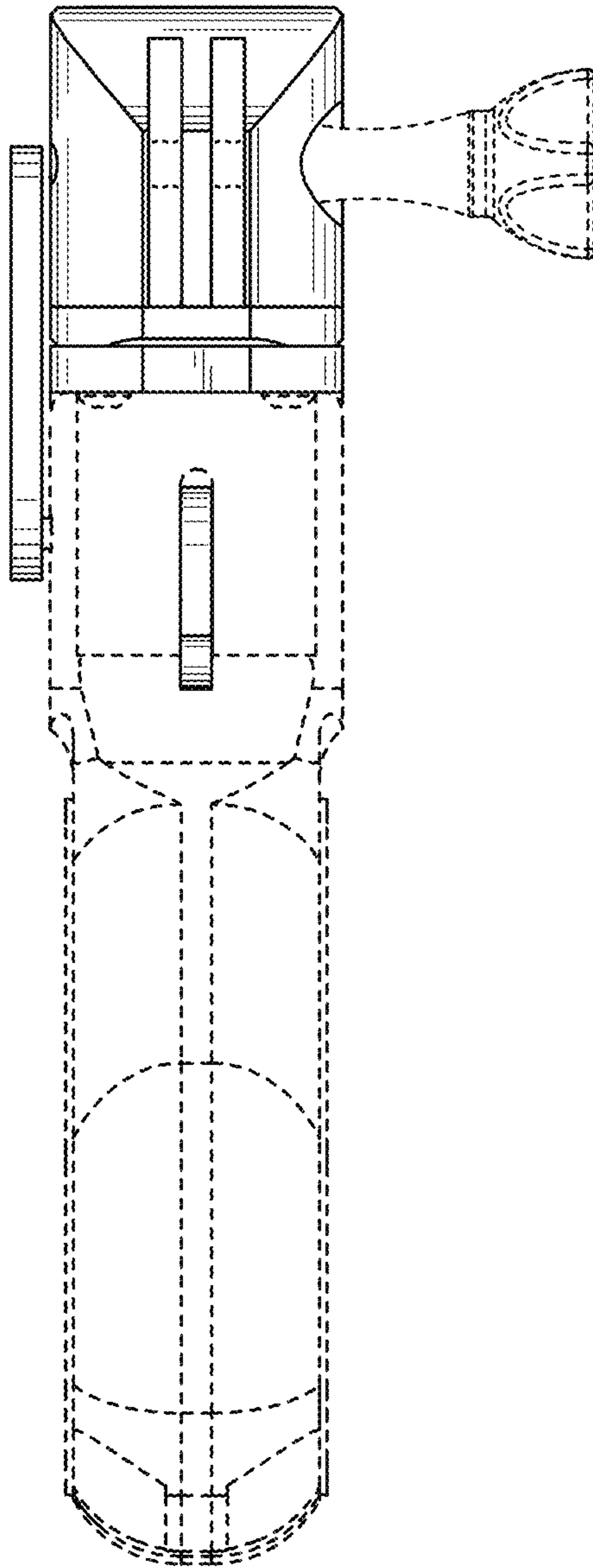


FIG. 5

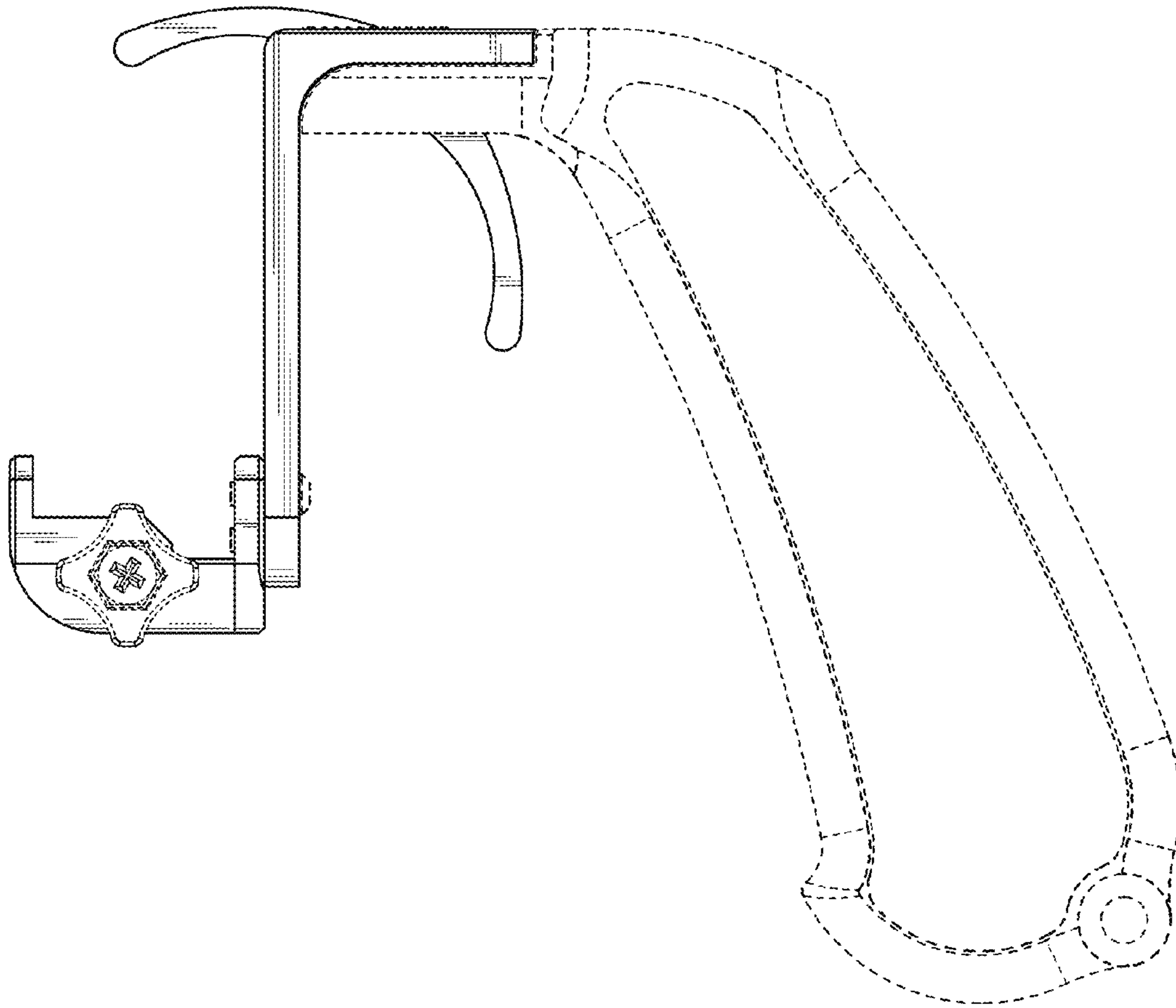


FIG. 6

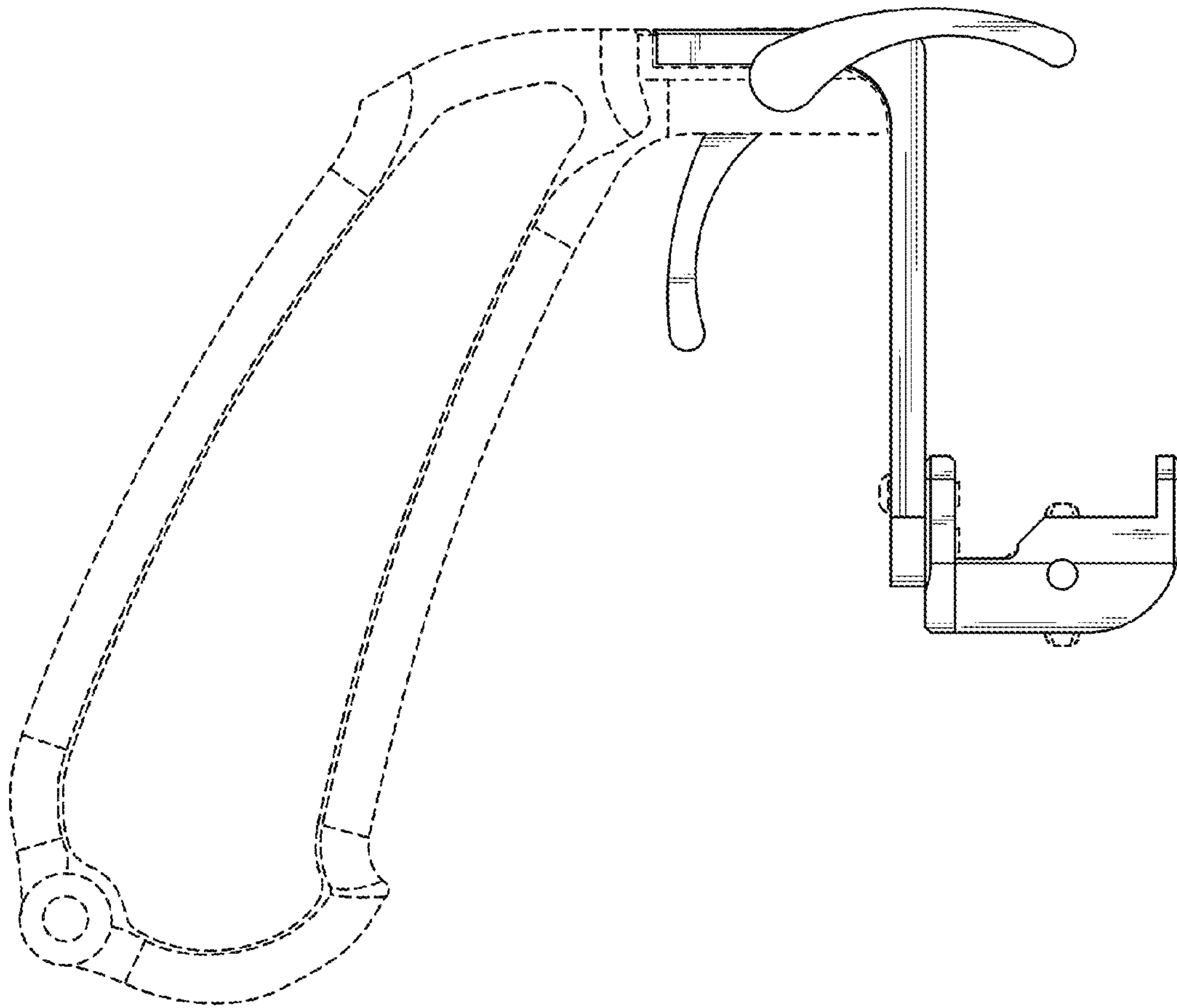


FIG. 7

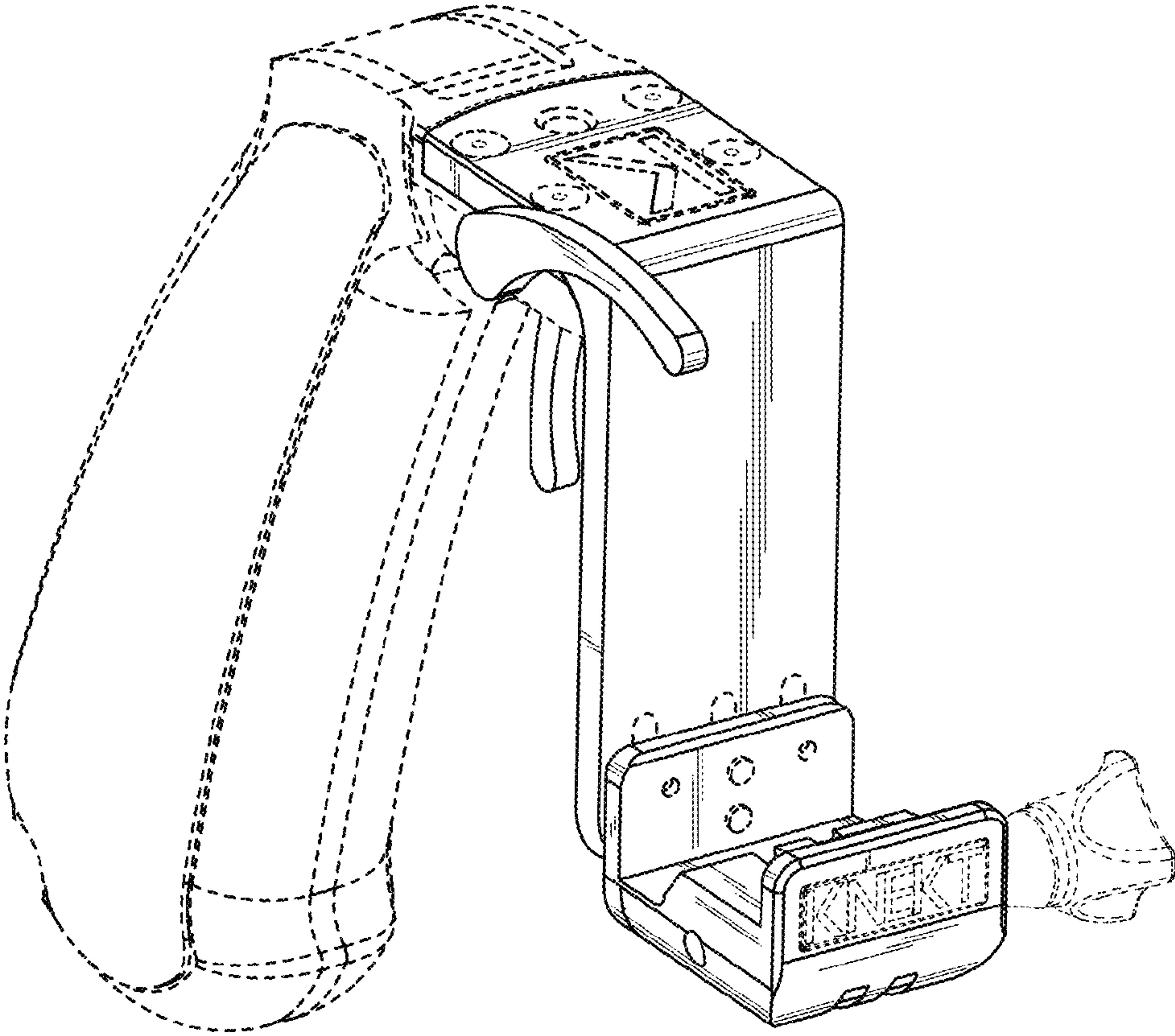


FIG. 8