

US00D757149S

(12) **United States Design Patent**
Morohoshi

(10) **Patent No.:** **US D757,149 S**
(45) **Date of Patent:** **** May 24, 2016**

(54) **PROJECTOR**

(71) Applicant: **Hiroshi Morohoshi**, Ohta-ku (JP)
(72) Inventor: **Hiroshi Morohoshi**, Ohta-ku (JP)
(73) Assignee: **RICOH COMPANY, LTD.**, Tokyo (JP)
(**) Term: **14 Years**

D475,729 S 6/2003 Shiota et al.
6,616,282 B2 * 9/2003 Ozawa G03B 21/00
353/119
D506,770 S 6/2005 Saeki et al.
D577,051 S 9/2008 Yamamizu
D578,150 S 10/2008 Sakamaki et al.
7,841,721 B2 11/2010 Momose et al.
D663,346 S 7/2012 Fujikawa et al.
D711,453 S 8/2014 Fujii et al.
2015/0029469 A1 * 1/2015 Kubo G03B 21/16
353/57

(21) Appl. No.: **29/522,900**

(22) Filed: **Apr. 3, 2015**

Related U.S. Application Data

(62) Division of application No. 29/459,340, filed on Jun. 28, 2013, now Pat. No. Des. 735,791.

Foreign Application Priority Data

(30) Jan. 8, 2013 (JP) 2013-000093

(51) **LOC (10) Cl.** **16-02**

(52) **U.S. Cl.**
USPC **D16/230; D16/225**

(58) **Field of Classification Search**
USPC D16/208, 221, 225, 230–231, 234;
D21/514

CPC G03B 21/00; G03B 21/001; G03B 21/003;
G03B 21/12; G03B 21/16

See application file for complete search history.

(56) **References Cited**

U.S. PATENT DOCUMENTS

D428,619 S 7/2000 Saeki et al.
D434,430 S 11/2000 Saeki et al.
D454,360 S 3/2002 Shimizu et al.
D464,074 S 10/2002 Miyazaki
D473,253 S 4/2003 Shimamoto

OTHER PUBLICATIONS

U.S. Appl. No. 29/524,000, filed Apr. 15, 2015.

* cited by examiner

Primary Examiner — Wan Laymon

(74) *Attorney, Agent, or Firm* — Oblon, McClelland, Maier & Neustadt, L.L.P.

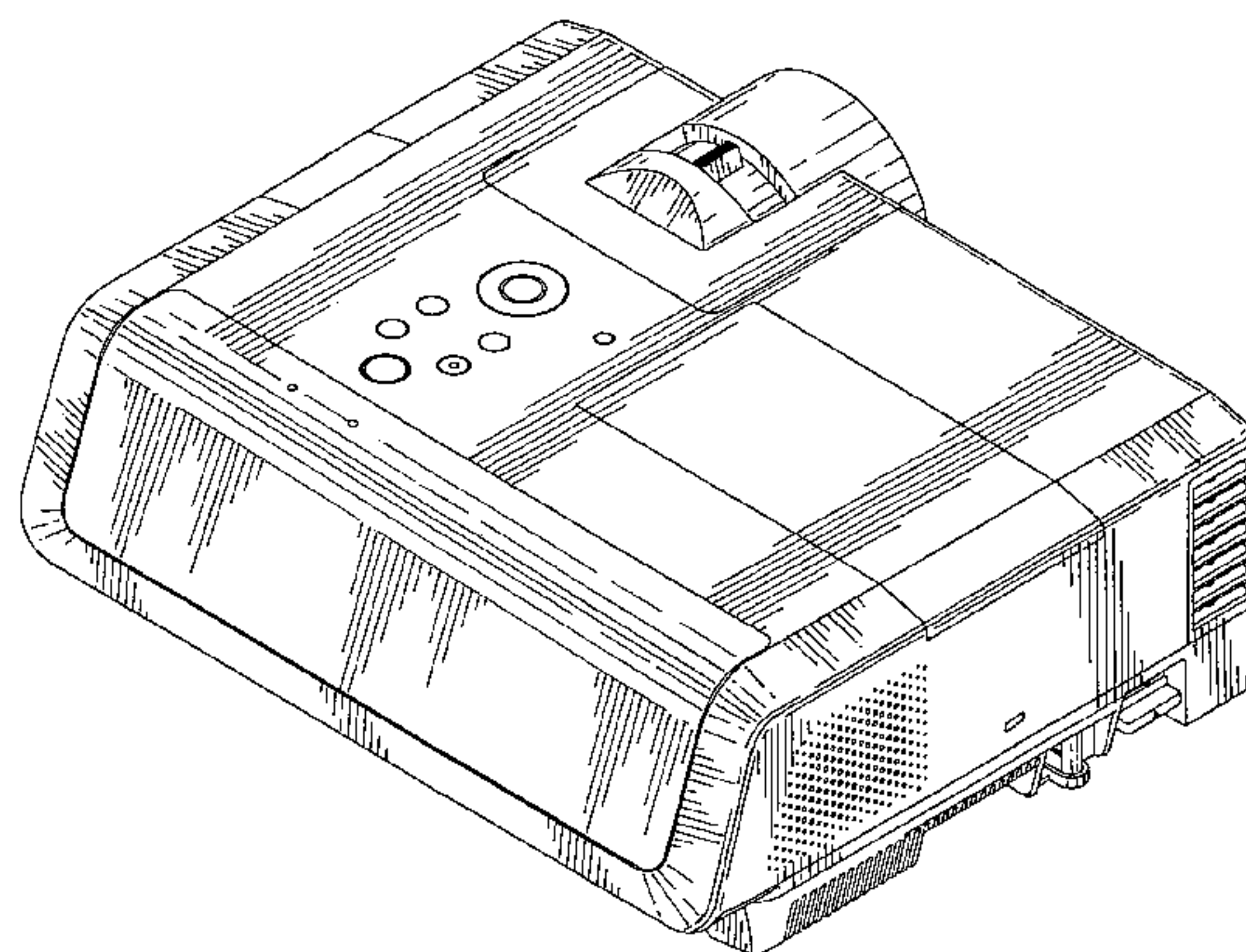
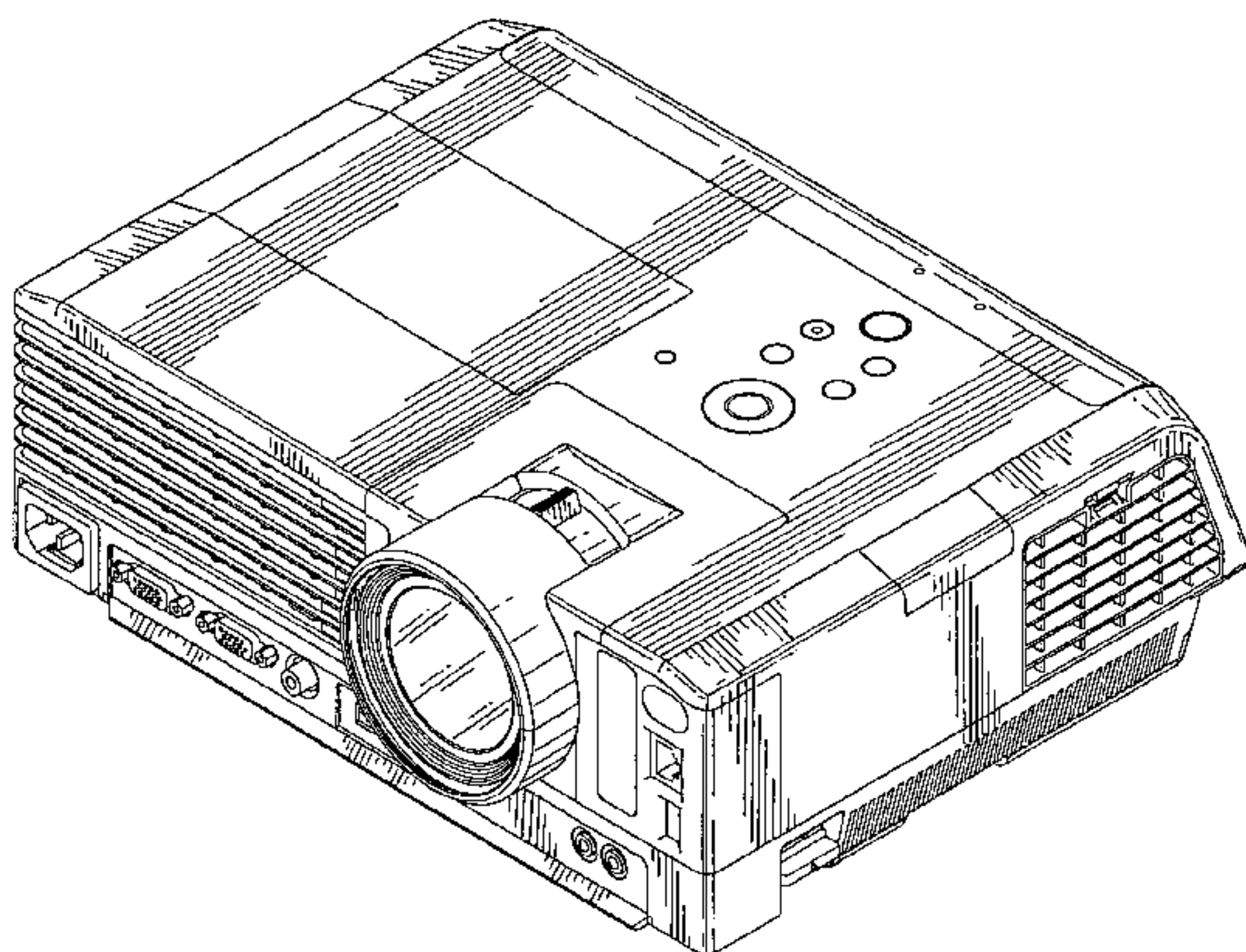
(57) **CLAIM**

The ornamental design for a projector, as shown and described.

DESCRIPTION

FIG. 1 is a front elevational view of a projector according to the present application;
FIG. 2 is a rear elevational view thereof;
FIG. 3 is a left side elevational view thereof;
FIG. 4 is a right side elevational view thereof;
FIG. 5 is a top plan view thereof;
FIG. 6 is a bottom plan view thereof;
FIG. 7 is a front, top, and right side perspective view thereof; and,
FIG. 8 is a rear, top, and left side perspective view thereof.
The broken lines in the drawings illustrate subject matter that forms no part of the claimed design.

1 Claim, 4 Drawing Sheets



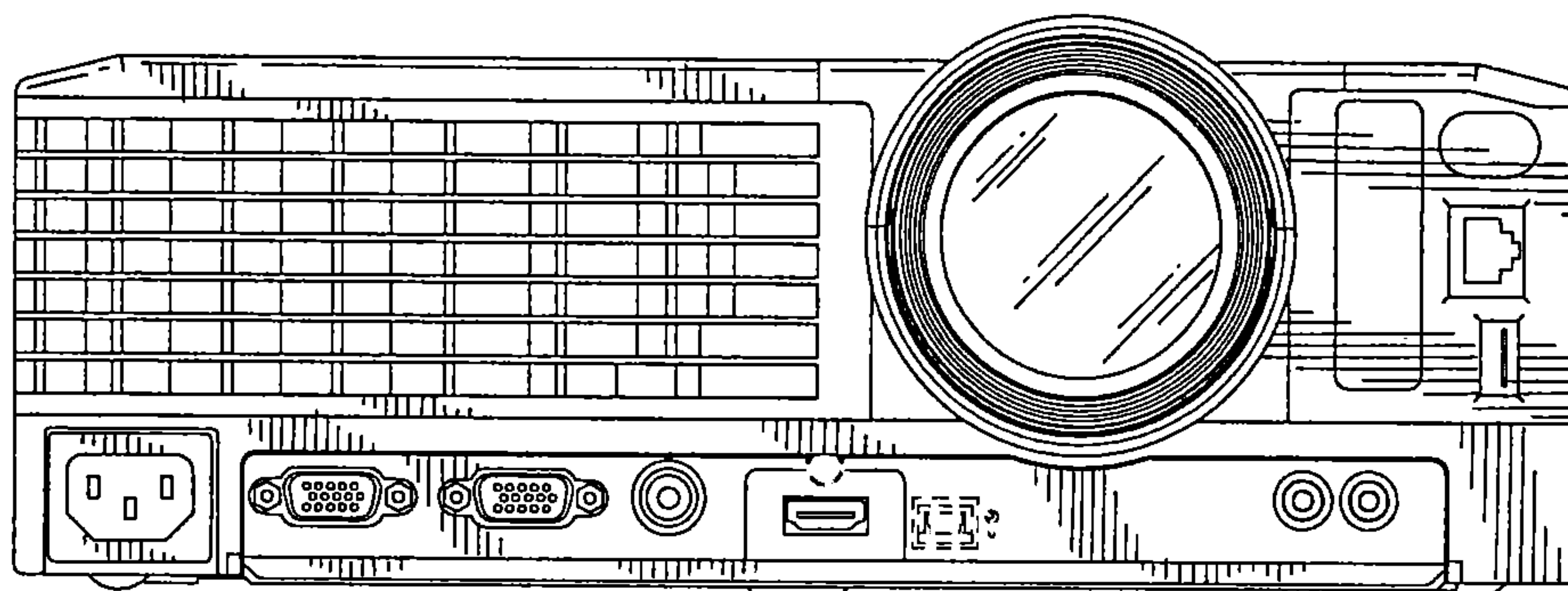


Fig. 1

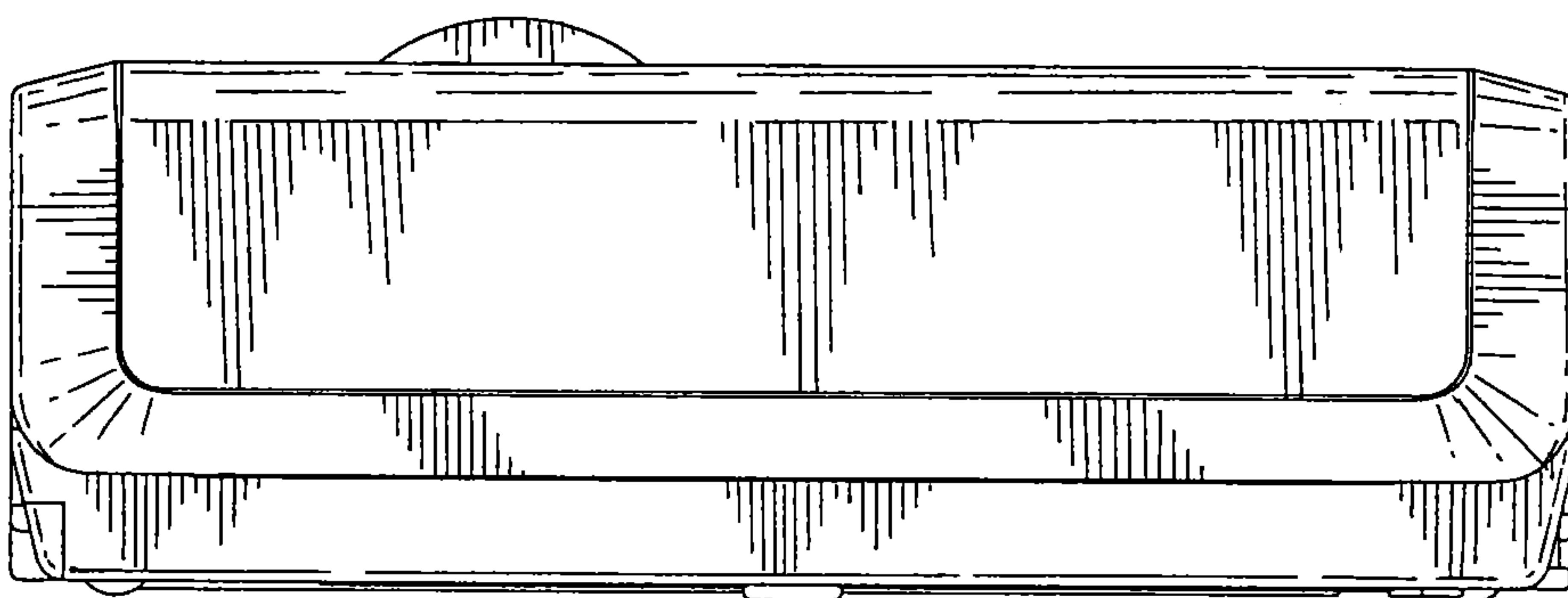


Fig. 2

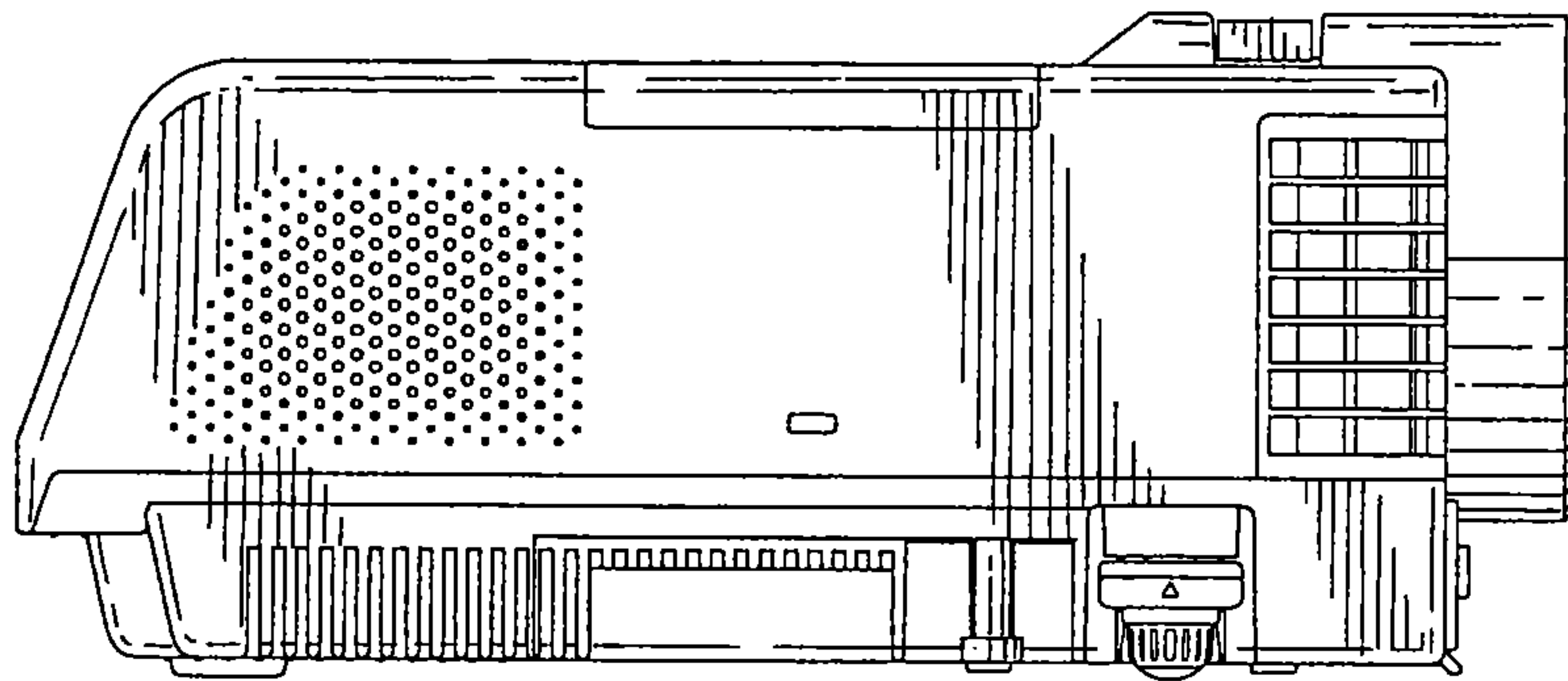


Fig. 3

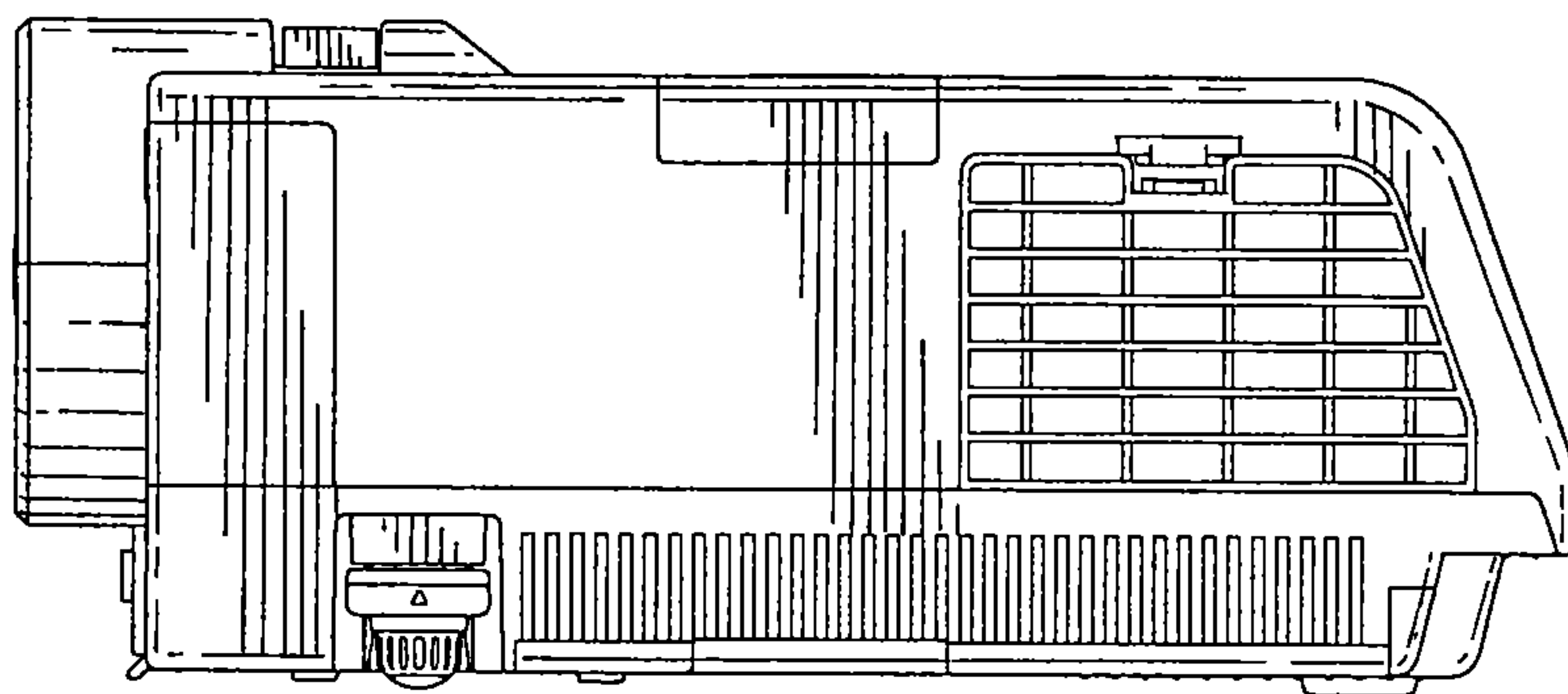


Fig. 4

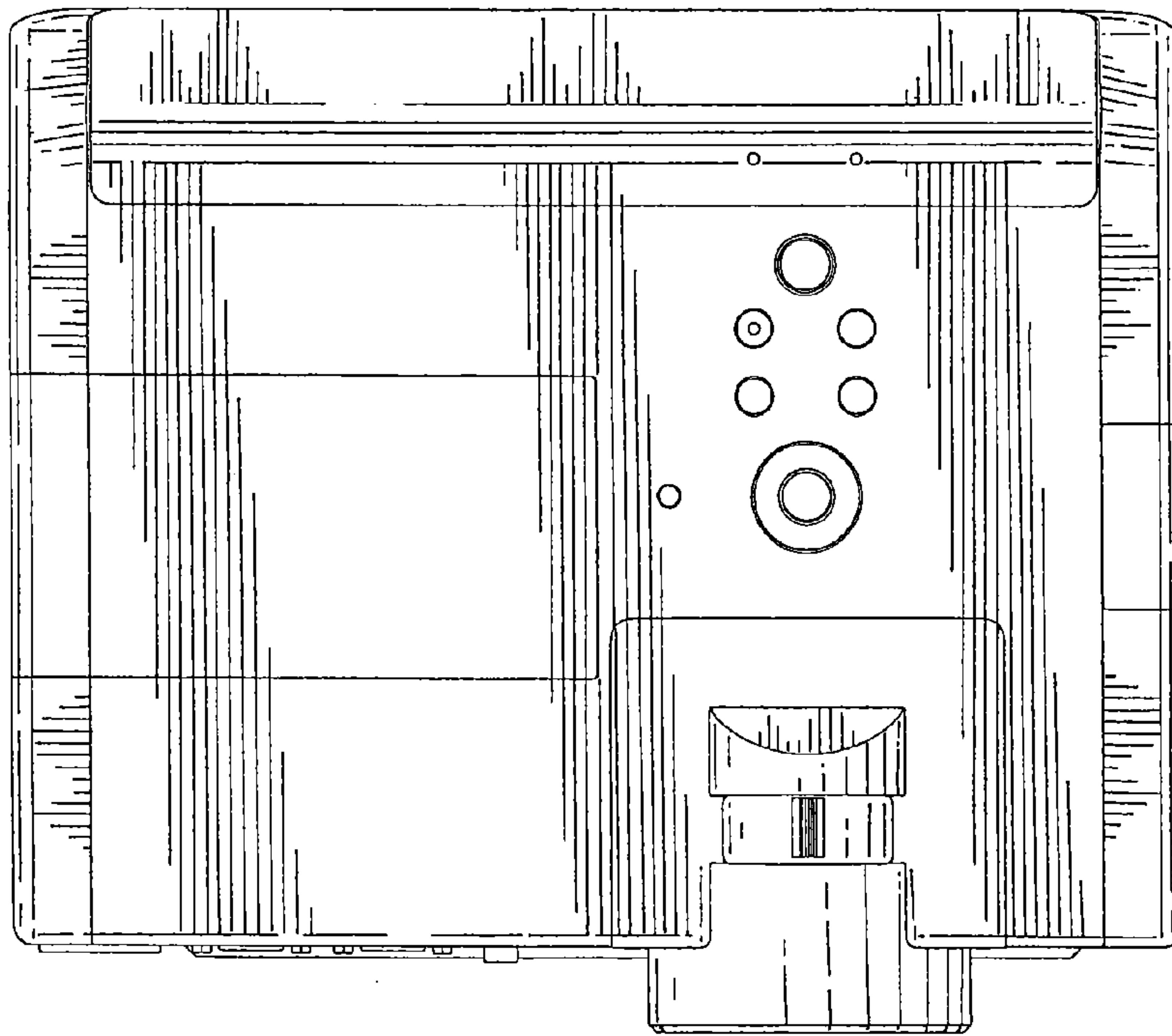


Fig. 5

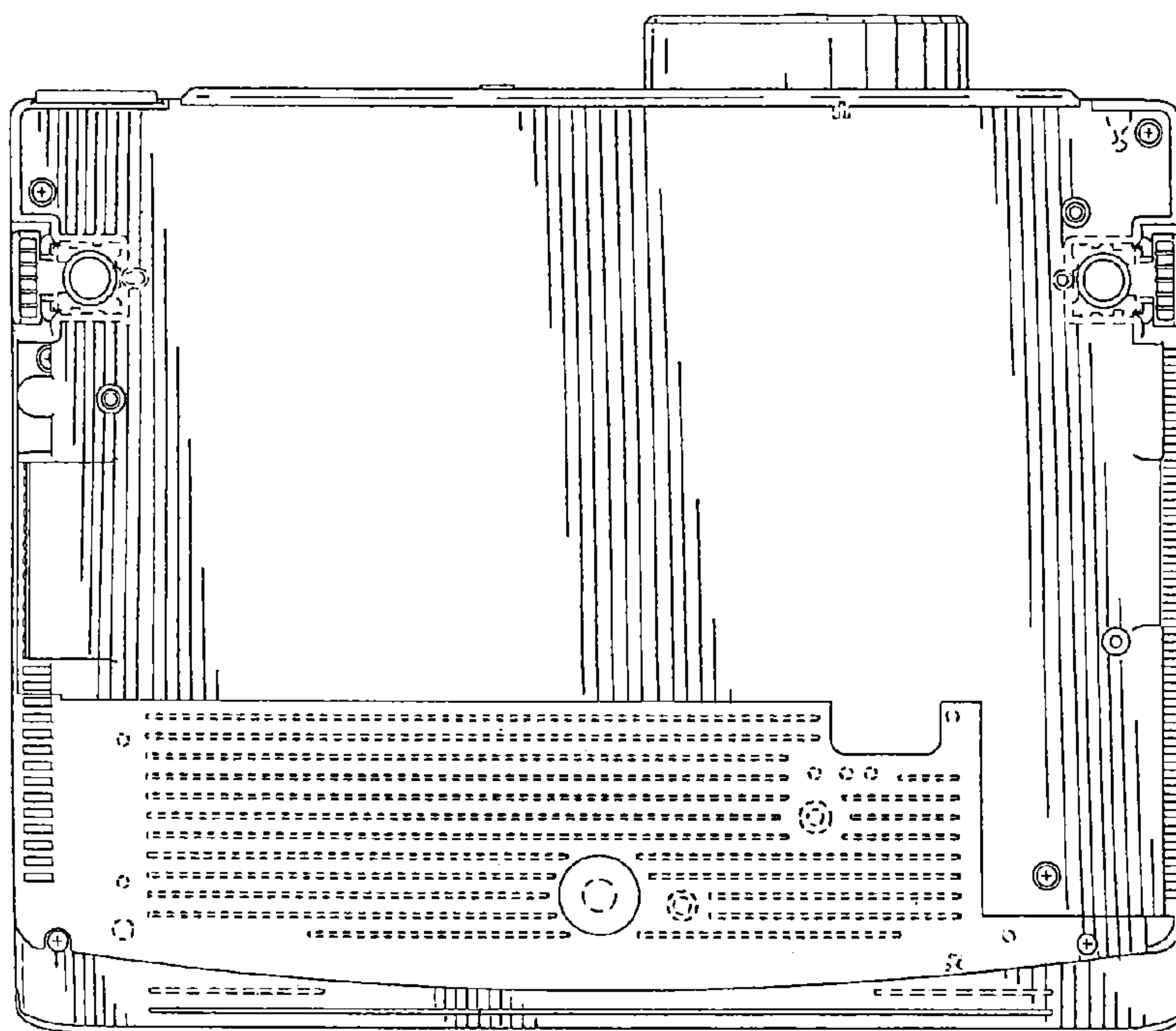


Fig. 6

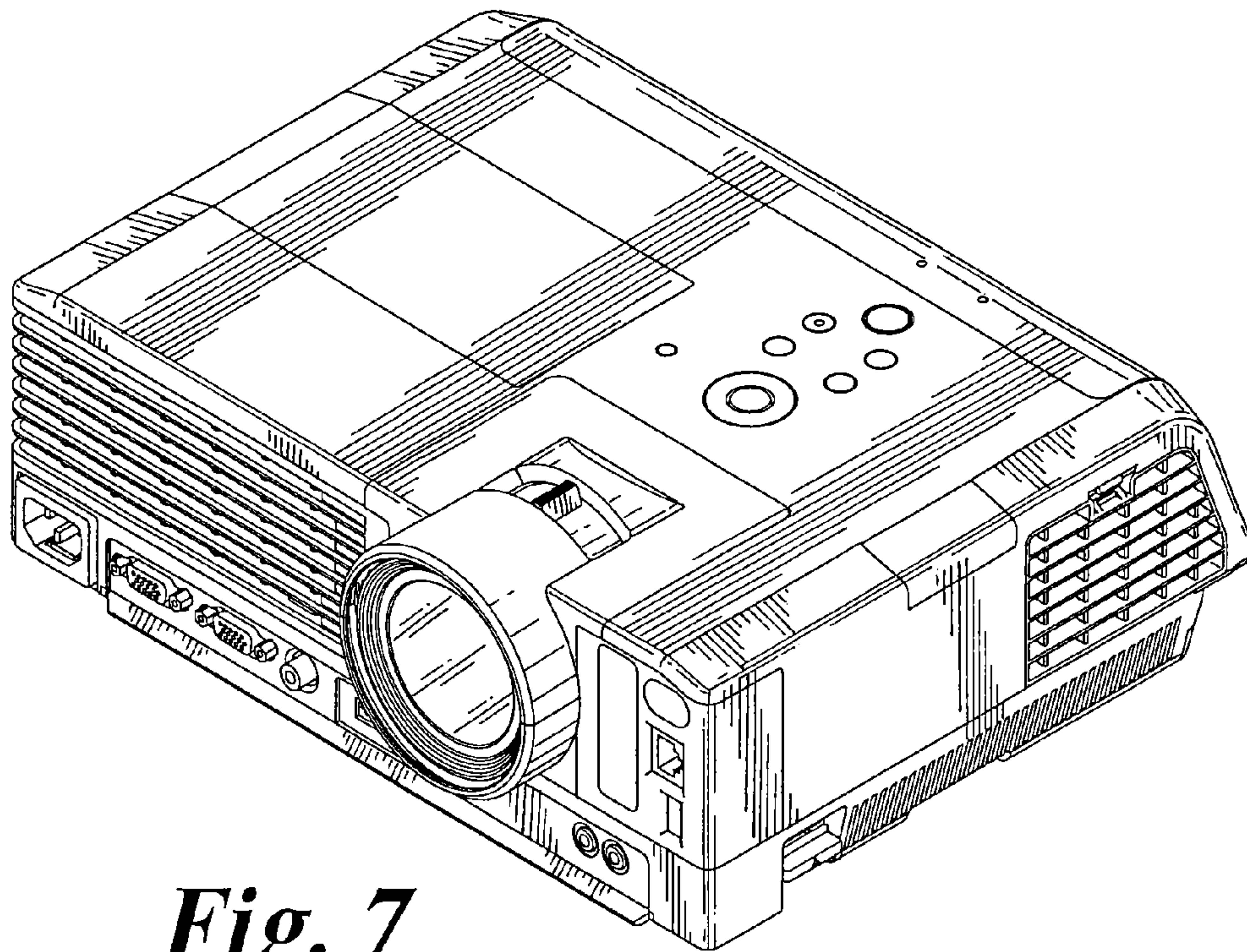


Fig. 7

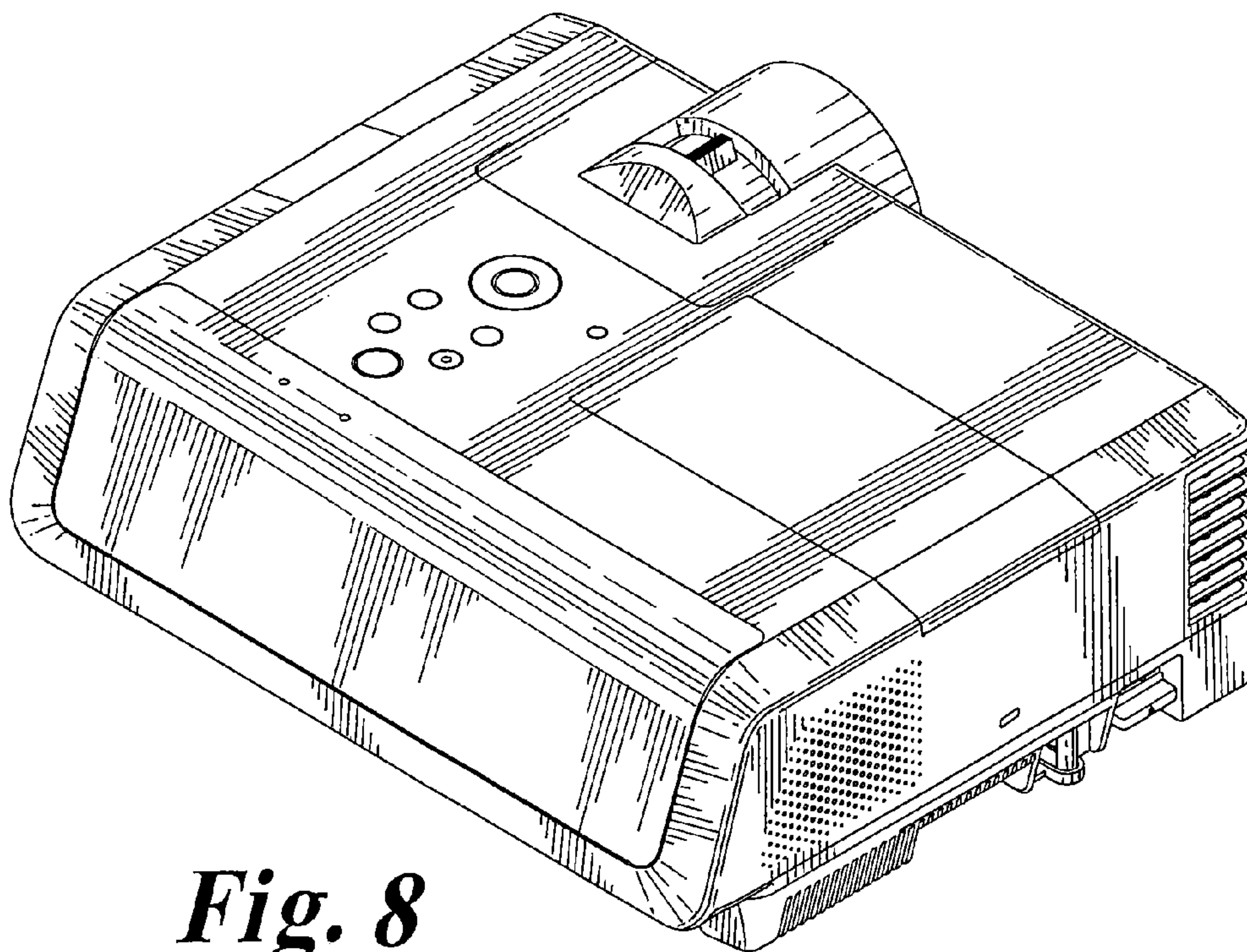


Fig. 8