



US00D757148S

(12) **United States Design Patent**
Amikura et al.

(10) **Patent No.:** **US D757,148 S**
(45) **Date of Patent:** **** May 24, 2016**

(54) **PROJECTOR**

(71) Applicant: **CASIO KEISANKI KABUSHIKI KAISHA**, Shibuya-ku, Tokyo (JP)
(72) Inventors: **Ryo Amikura**, Tokyo (JP); **Junichi Ono**, Tokyo (JP)
(73) Assignee: **CASIO KEISANKI KABUSHIKI KAISHA**, Tokyo (JP)

(**) Term: **14 Years**
(21) Appl. No.: **29/522,351**
(22) Filed: **Mar. 30, 2015**

(30) **Foreign Application Priority Data**
Jan. 16, 2015 (JP) 2015-000690
(51) **LOC (10) Cl.** **16-02**
(52) **U.S. Cl.**
USPC **D16/230**
(58) **Field of Classification Search**
USPC D16/221, 225, 230-234; D21/514;
353/115, 119
CPC G03B 21/145; G03B 21/00; G03B 21/001;
G03B 21/003; G03B 21/14; G03B 21/16;
G03B 21/12
See application file for complete search history.

(56) **References Cited**

U.S. PATENT DOCUMENTS

D466,143 S *	11/2002	Torikai	D16/230
7,029,132 B2 *	4/2006	Tsubata	H04N 9/317 353/119
D609,733 S *	2/2010	Hsiao	D16/225
D636,426 S *	4/2011	Kawaguchi	D16/225
D683,782 S *	6/2013	Ishibashi	D16/230

* cited by examiner

Primary Examiner — Wan Laymon

(74) *Attorney, Agent, or Firm* — Holtz, Holtz & Volek PC

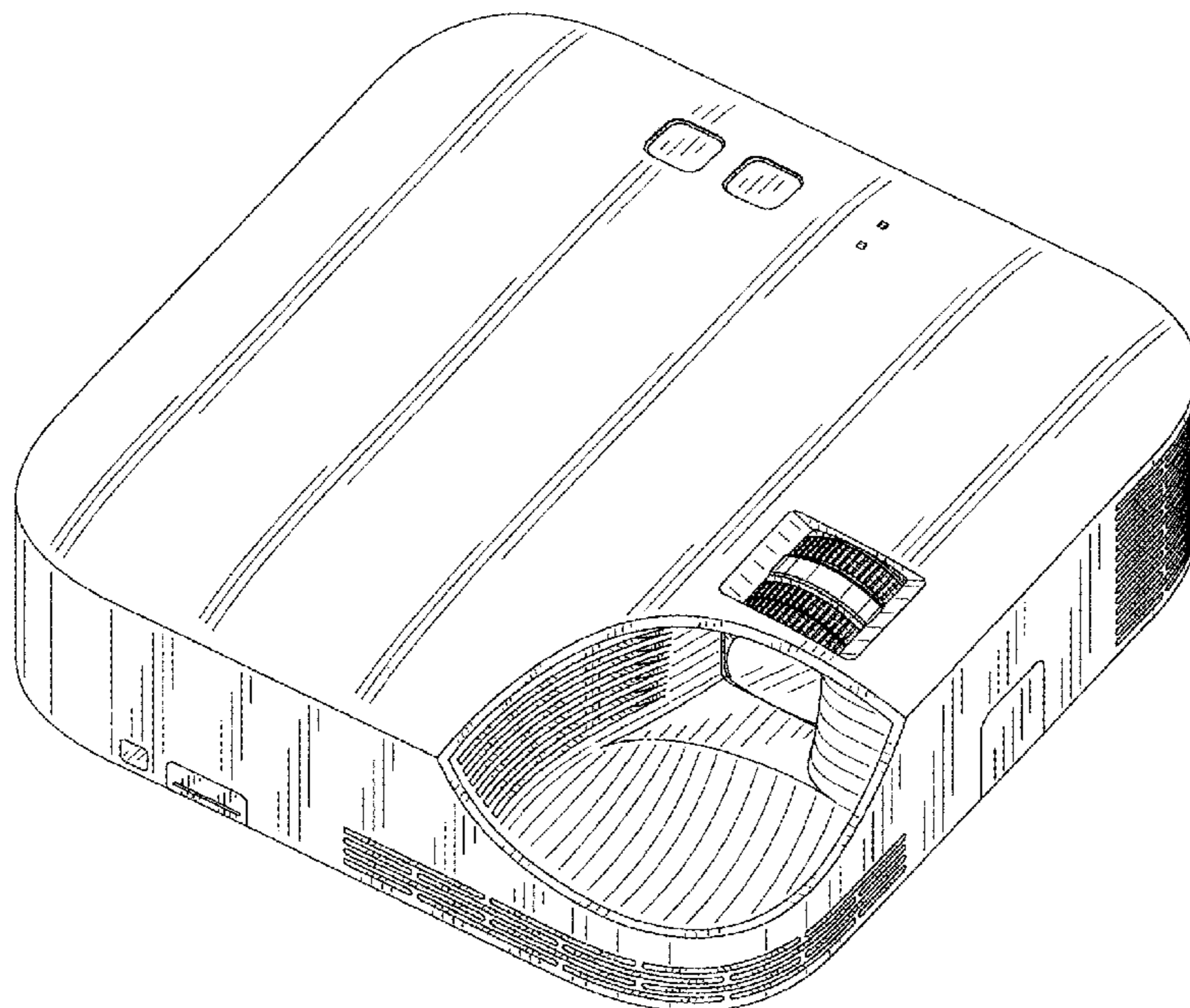
(57) **CLAIM**

The ornamental design for a projector, as shown and described.

DESCRIPTION

FIG. 1 is a front, right side, top perspective view of a projector showing our new design;
FIG. 2 is a front elevational view thereof;
FIG. 3 is a rear elevational view thereof;
FIG. 4 is a left side view thereof;
FIG. 5 is a right side view thereof;
FIG. 6 is a top plan view thereof;
FIG. 7 is a bottom plan view thereof; and,
FIG. 8 is a cross-sectional view thereof, taken in the direction of line 8-8 of FIG. 2 (an internal mechanism is omitted).
The broken line showings in the drawings are for illustrative purposes only and form no part of the claimed design.

1 Claim, 6 Drawing Sheets



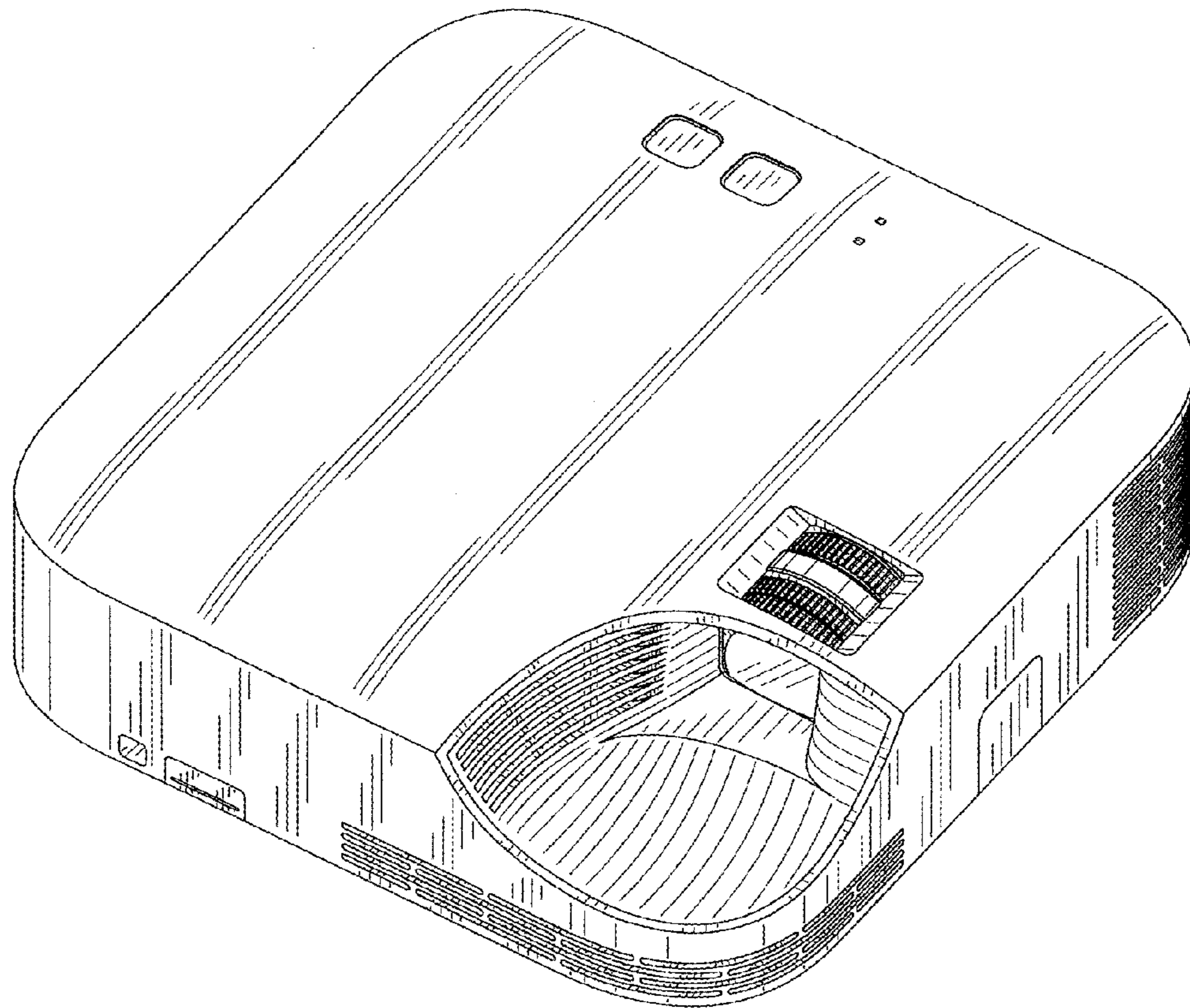


FIG. 1

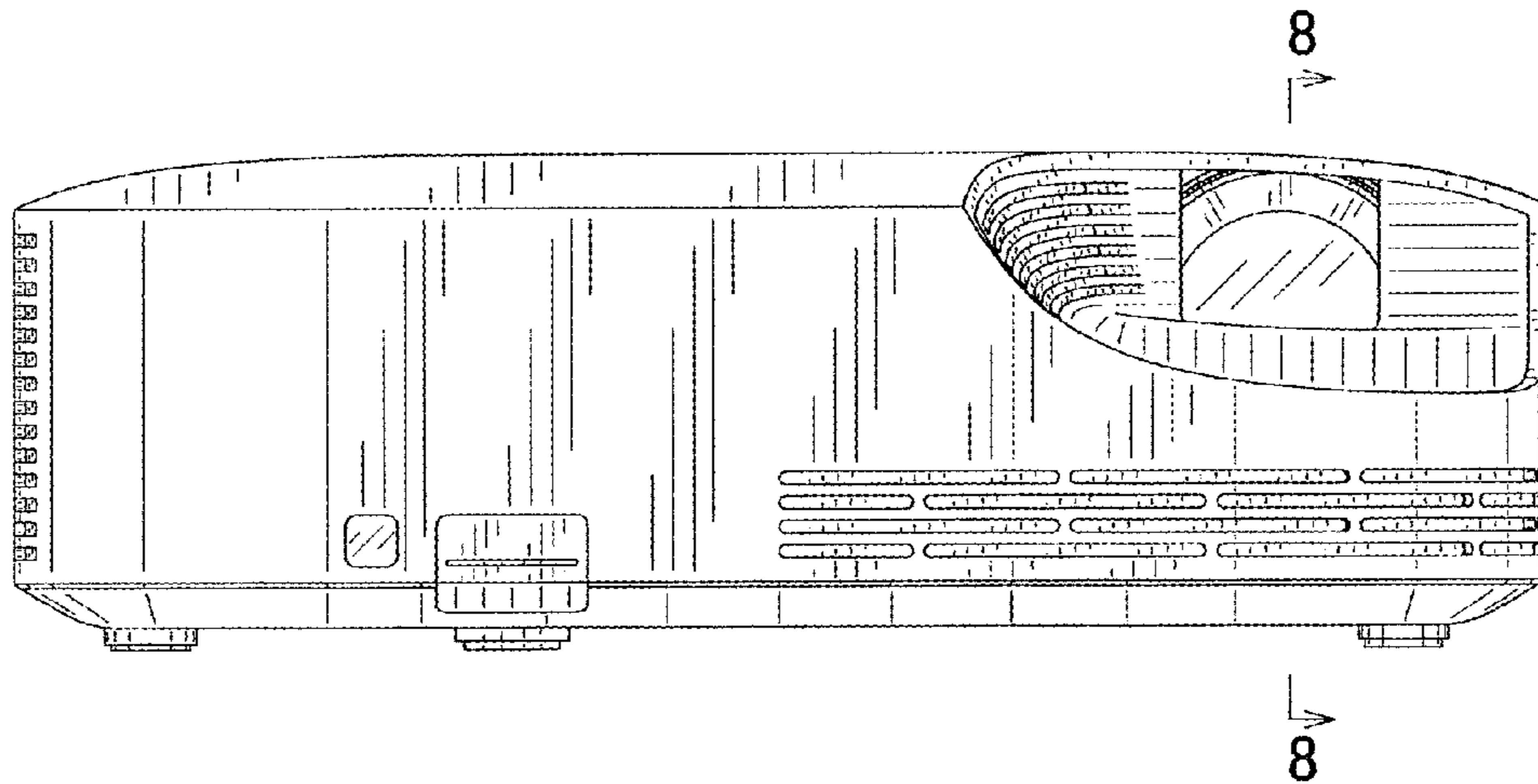


FIG. 2

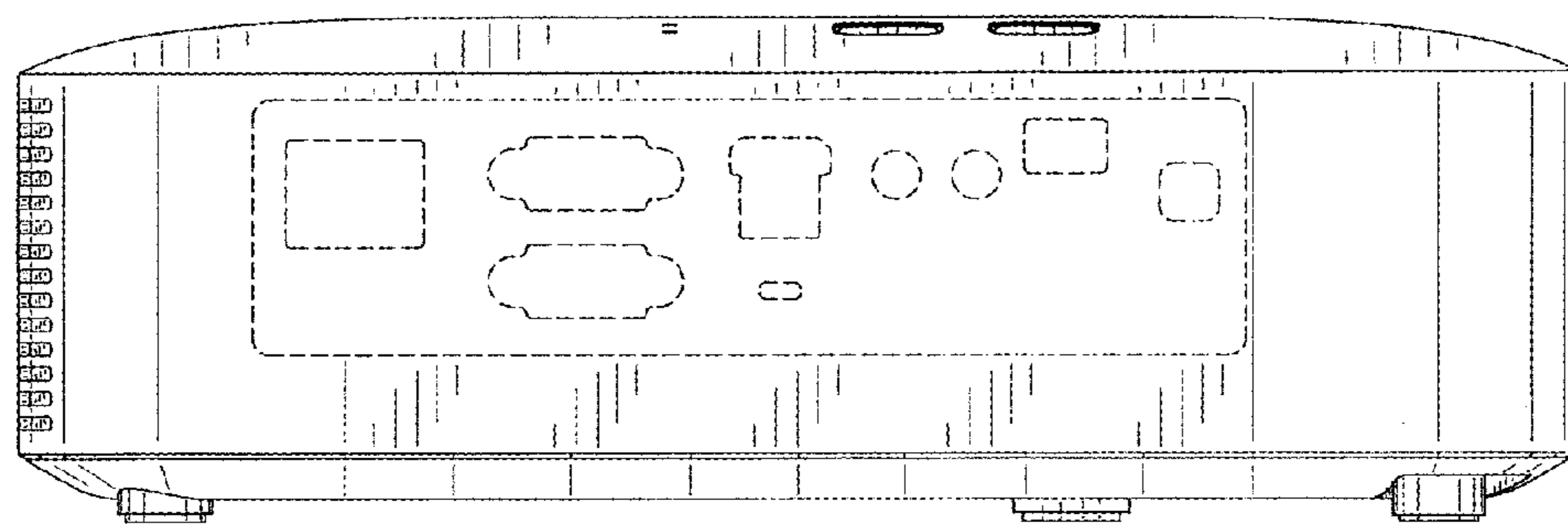


FIG. 3

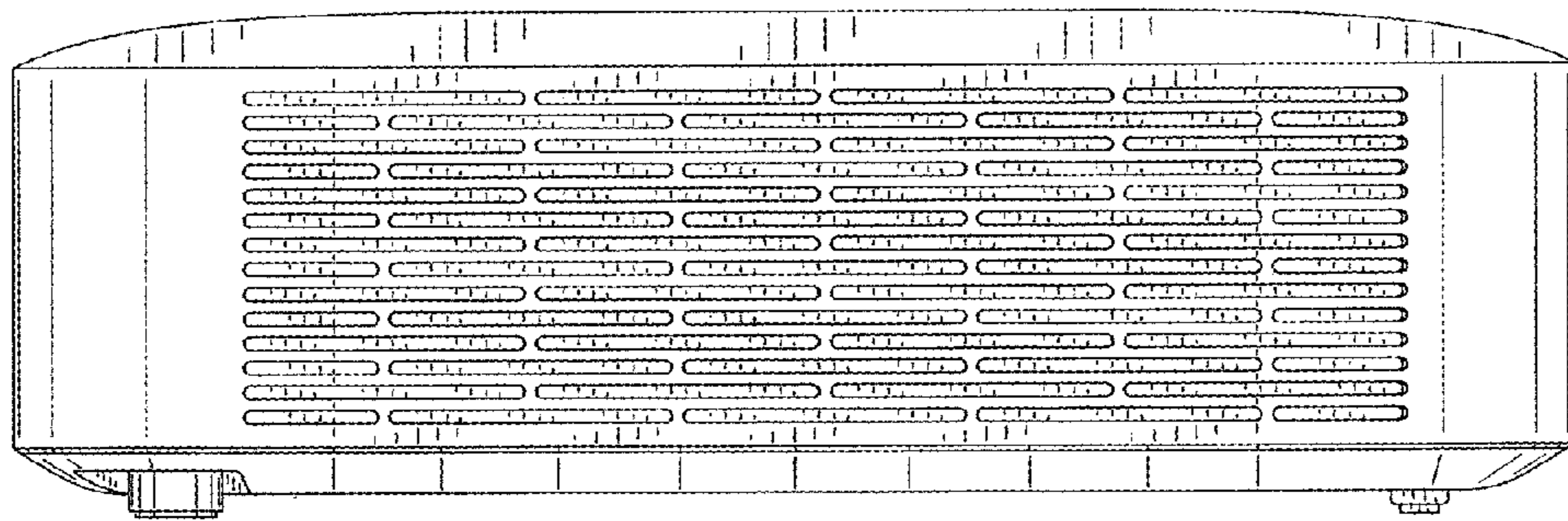


FIG. 4

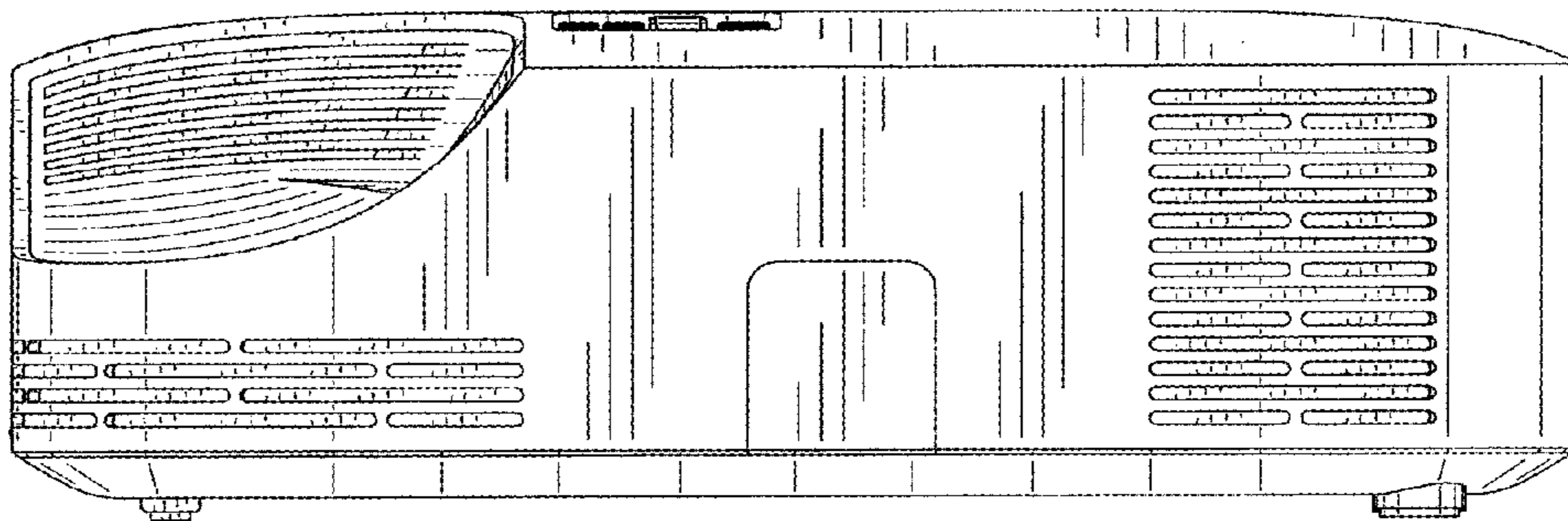


FIG. 5

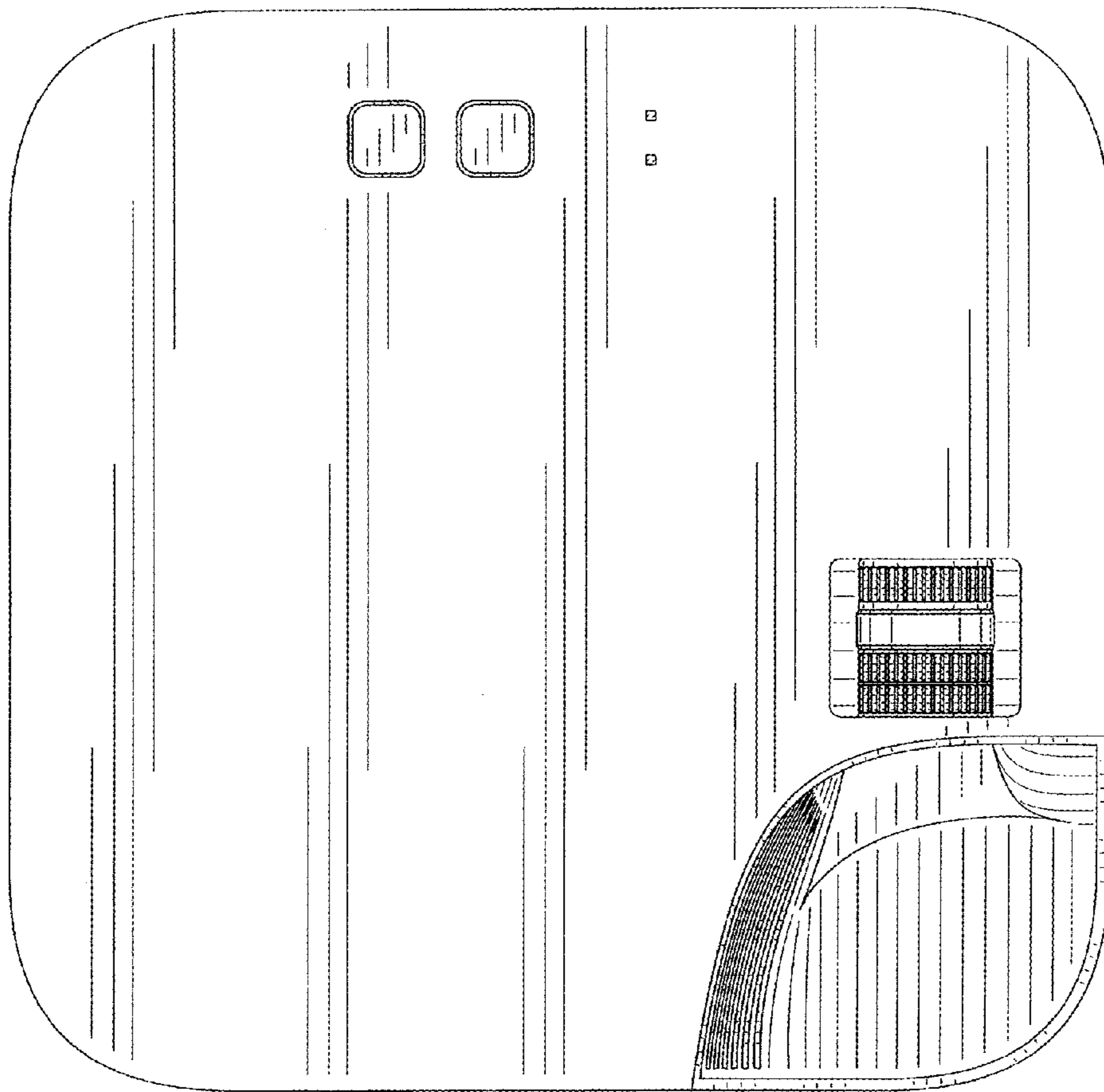


FIG. 6

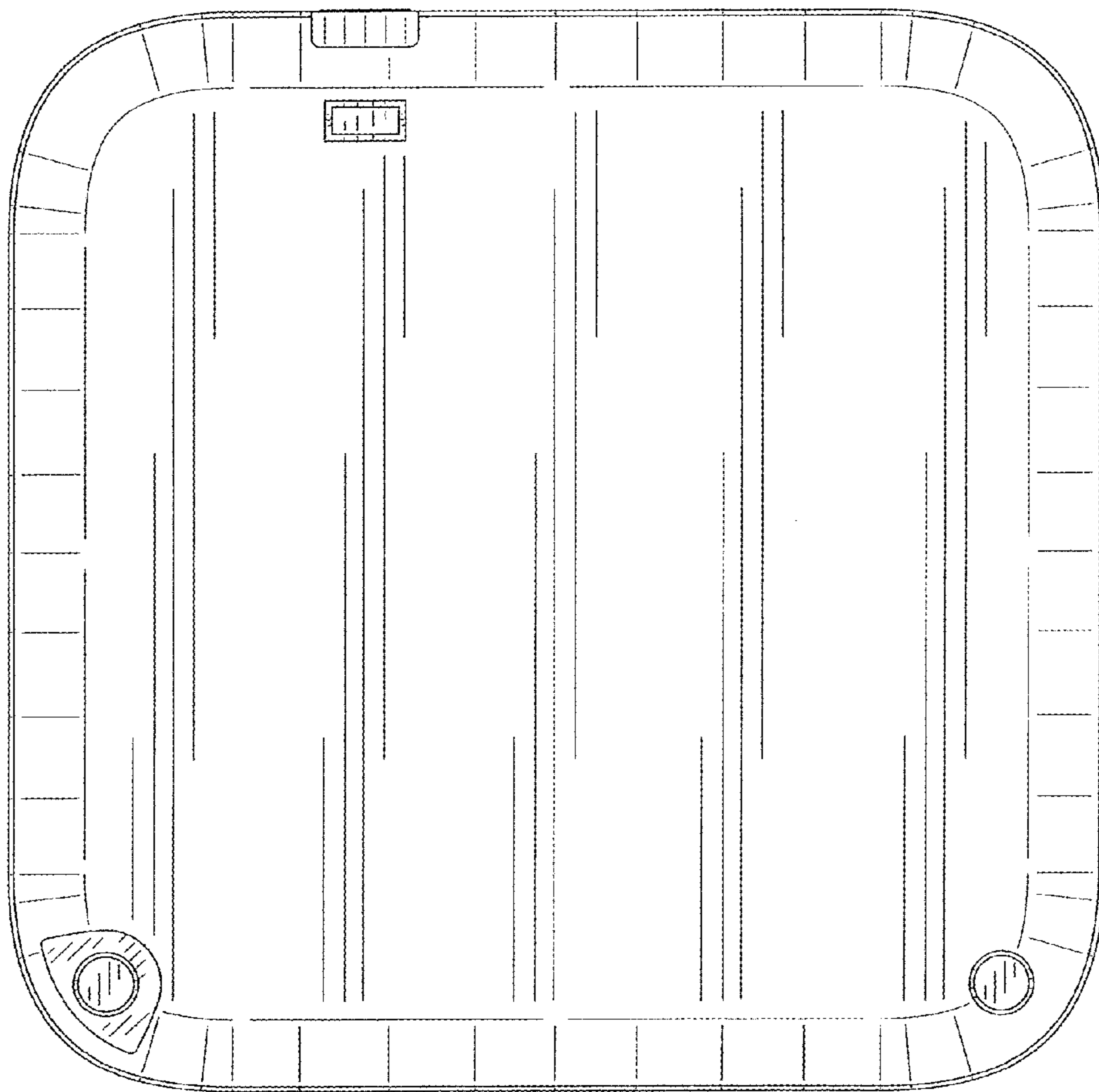


FIG. 7

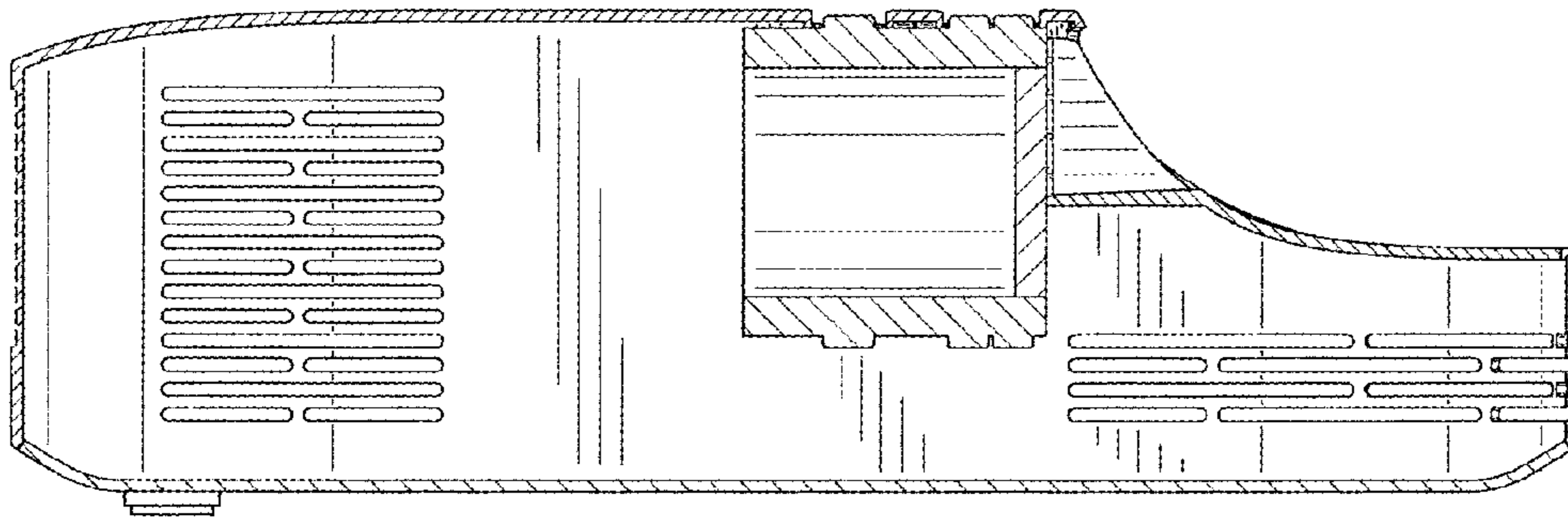


FIG. 8