



US00D757147S

(12) **United States Design Patent**  
**Edwards et al.**

(10) **Patent No.:** **US D757,147 S**  
(45) **Date of Patent:** **\*\* May 24, 2016**

(54) **ACQUISITION AND TARGETING DEVICE**

(71) Applicant: **Kopin Corporation**, Westborough, MA (US)

(72) Inventors: **Timothy James Edwards**, Scotts Valley, CA (US); **Timothy Brandon Hogan**, Allen, TX (US); **Cathy Ji Kyung Yoon**, Scotts Valley, CA (US)

(73) Assignee: **Kopin Corporation**, Westborough, MA (US)

(\*\*) Term: **14 Years**

(21) Appl. No.: **29/503,090**

(22) Filed: **Sep. 23, 2014**

(51) **LOC (10) Cl.** ..... **16-01**

(52) **U.S. Cl.**

USPC ..... **D16/208**; D22/109

(58) **Field of Classification Search**

USPC ..... D16/200, 202–205, 208, 218, 219, 235, D16/242; D22/108–110; 250/214 VT, 574; 348/164, 360; 359/358, 819, 826–828; 396/529–532; 42/90, 99, 111–114, 42/133, 146

CPC ..... G03B 17/02; G03B 19/04; G03B 17/56; G03B 17/04; G03B 15/03; G03B 17/14; H04N 5/2251; H04N 5/2252; H04N 5/2253; H04N 5/2254

See application file for complete search history.

(56) **References Cited**

**U.S. PATENT DOCUMENTS**

D450,074 S \* 11/2001 Miyashita ..... D16/202  
D586,376 S \* 2/2009 Kurfiss ..... D16/200  
D586,874 S \* 2/2009 Moody ..... D22/109  
D610,186 S \* 2/2010 Jannard ..... D16/202  
D629,435 S \* 12/2010 Barley ..... D16/202  
8,015,744 B1 \* 9/2011 Swan ..... F41G 1/065  
42/133

D679,775 S \* 4/2013 Cheng ..... D22/109  
8,484,882 B2 \* 7/2013 Haley ..... F41G 1/02  
42/111  
D733,250 S \* 6/2015 Hu ..... D22/109  
D733,251 S \* 6/2015 Hu ..... D22/109  
D733,832 S \* 7/2015 Crispin ..... D22/109  
D736,339 S \* 8/2015 Fitzpatrick ..... D22/109  
2012/0180370 A1 \* 7/2012 McKinley ..... F41G 1/02  
42/146

\* cited by examiner

*Primary Examiner* — Adir Aronovich

*Assistant Examiner* — Ramzi Almatrahi

(74) *Attorney, Agent, or Firm* — Hamilton, Brook, Smith & Reynolds, P.C.

(57) **CLAIM**

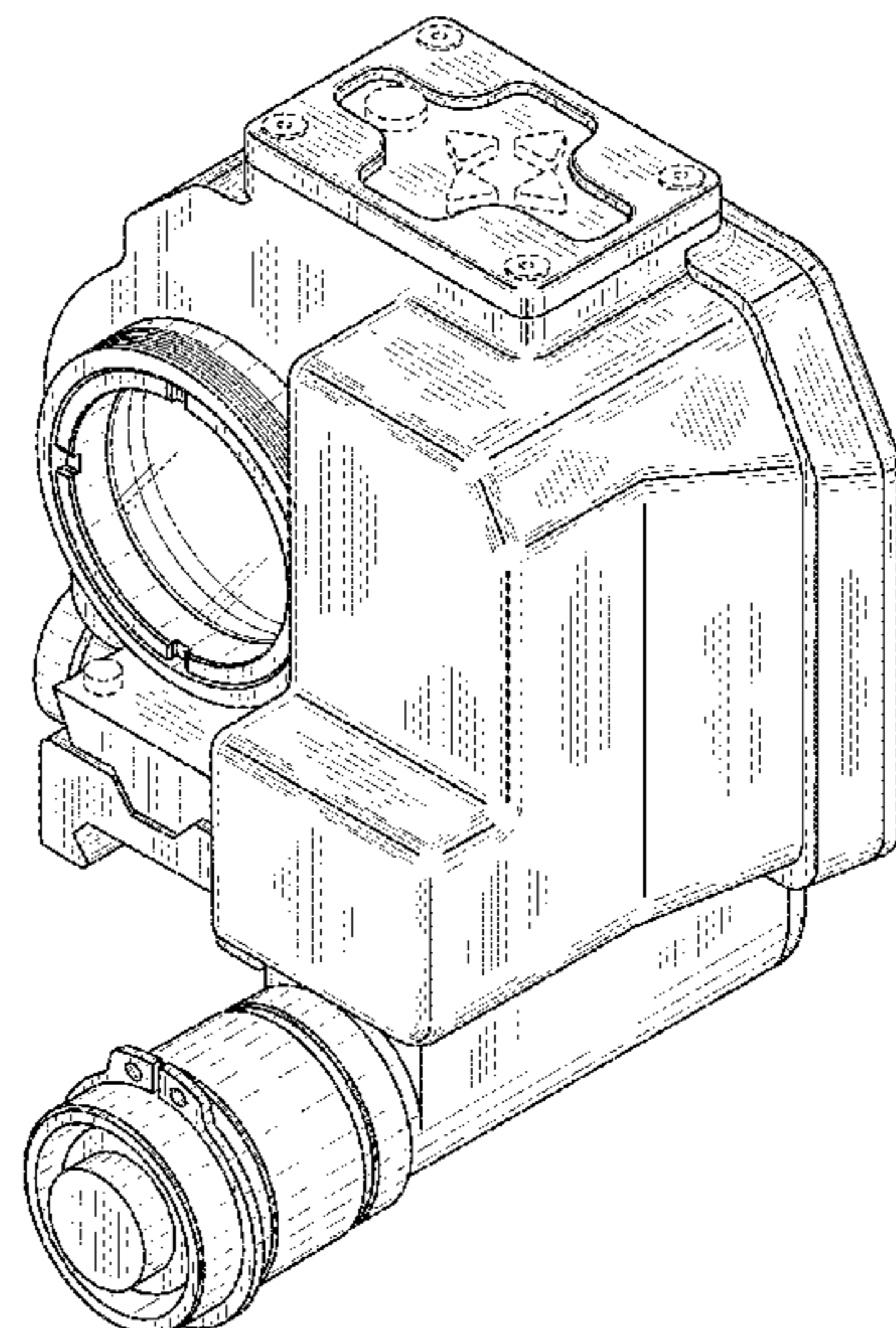
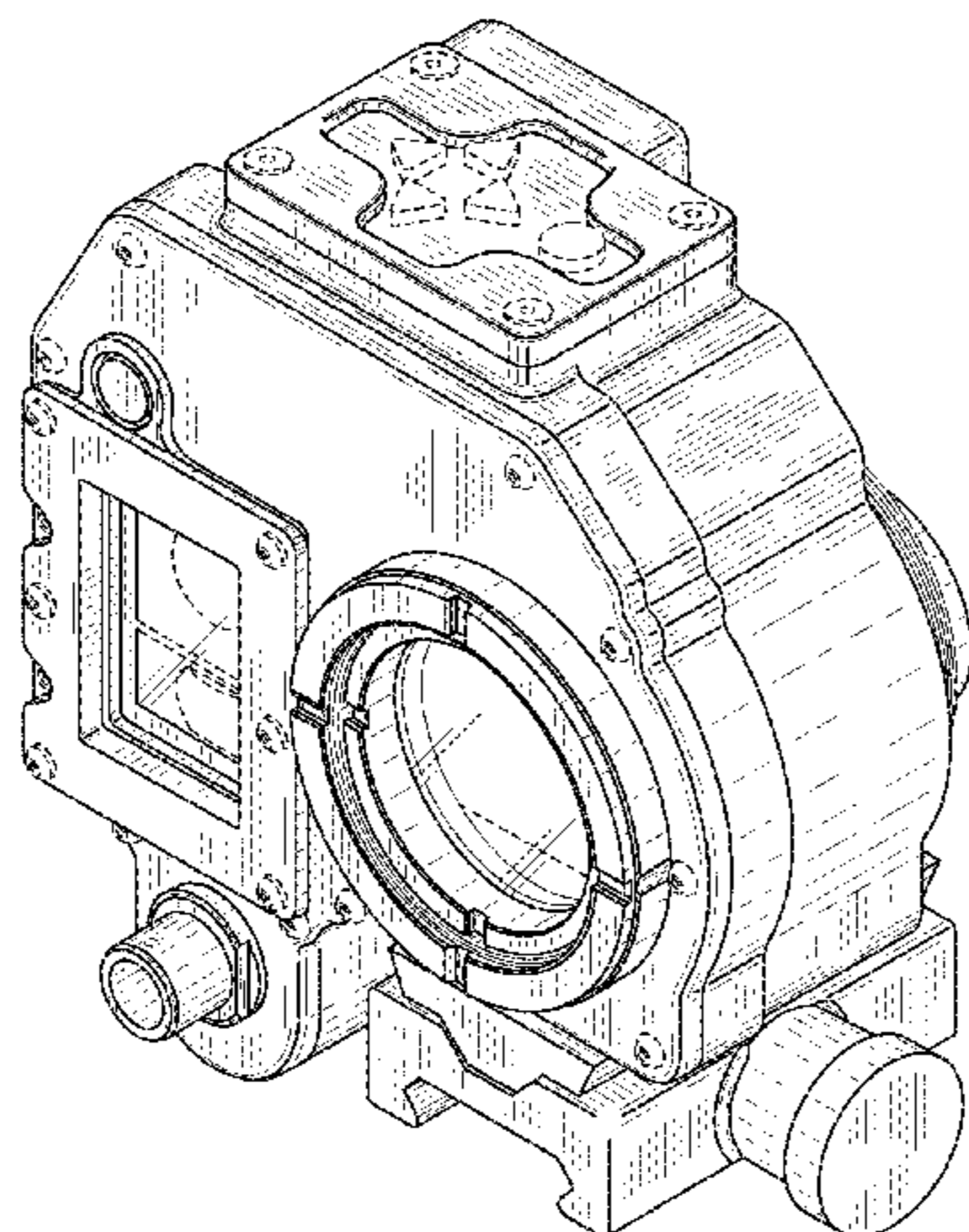
The ornamental design for an acquisition and targeting device, as shown and described.

**DESCRIPTION**

FIG. 1 is a top, front and right side perspective view of an acquisition and targeting device in the present invention; FIG. 2 is a top, rear and left side perspective view thereof; FIG. 3 is a front elevation view thereof; FIG. 4 is a rear elevation view thereof; FIG. 5 is a top plan view thereof; FIG. 6 is a bottom plan view thereof; FIG. 7 is a left side elevation view thereof; FIG. 8 is a right side elevation view thereof; FIG. 9 is a top and front perspective view thereof; and, FIG. 10 is a front and right side perspective view thereof. The broken lines depict portions of an acquisition and targeting device in which the design is embodied and form no part of the claimed design.

The acquisition and targeting device of the present invention can be mounted to a weapon, such as an individual weapon that can be a gun, for providing a precision acquisition and targeting system, and can provide a fully integrated fire control system.

**1 Claim, 5 Drawing Sheets**



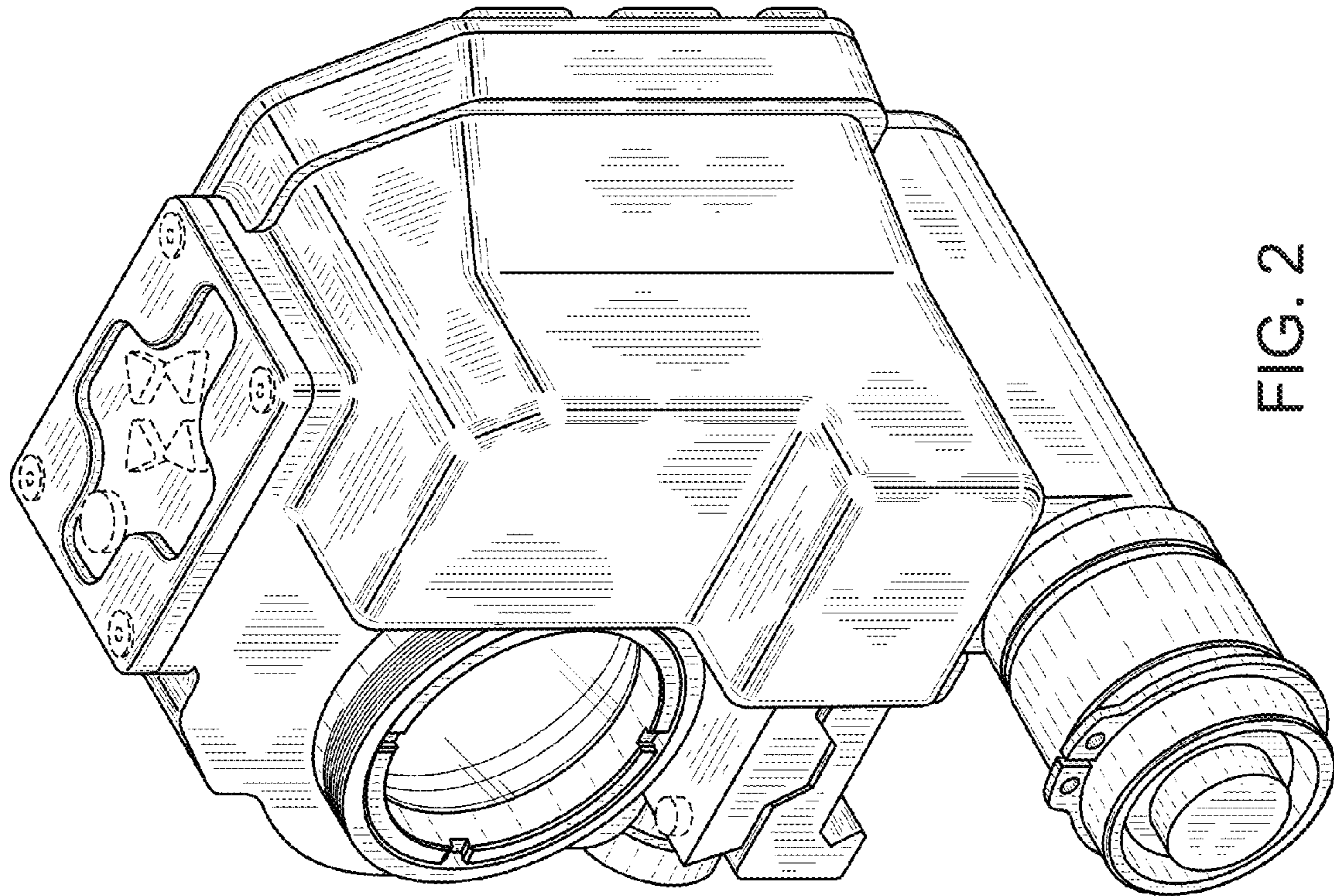


FIG. 2

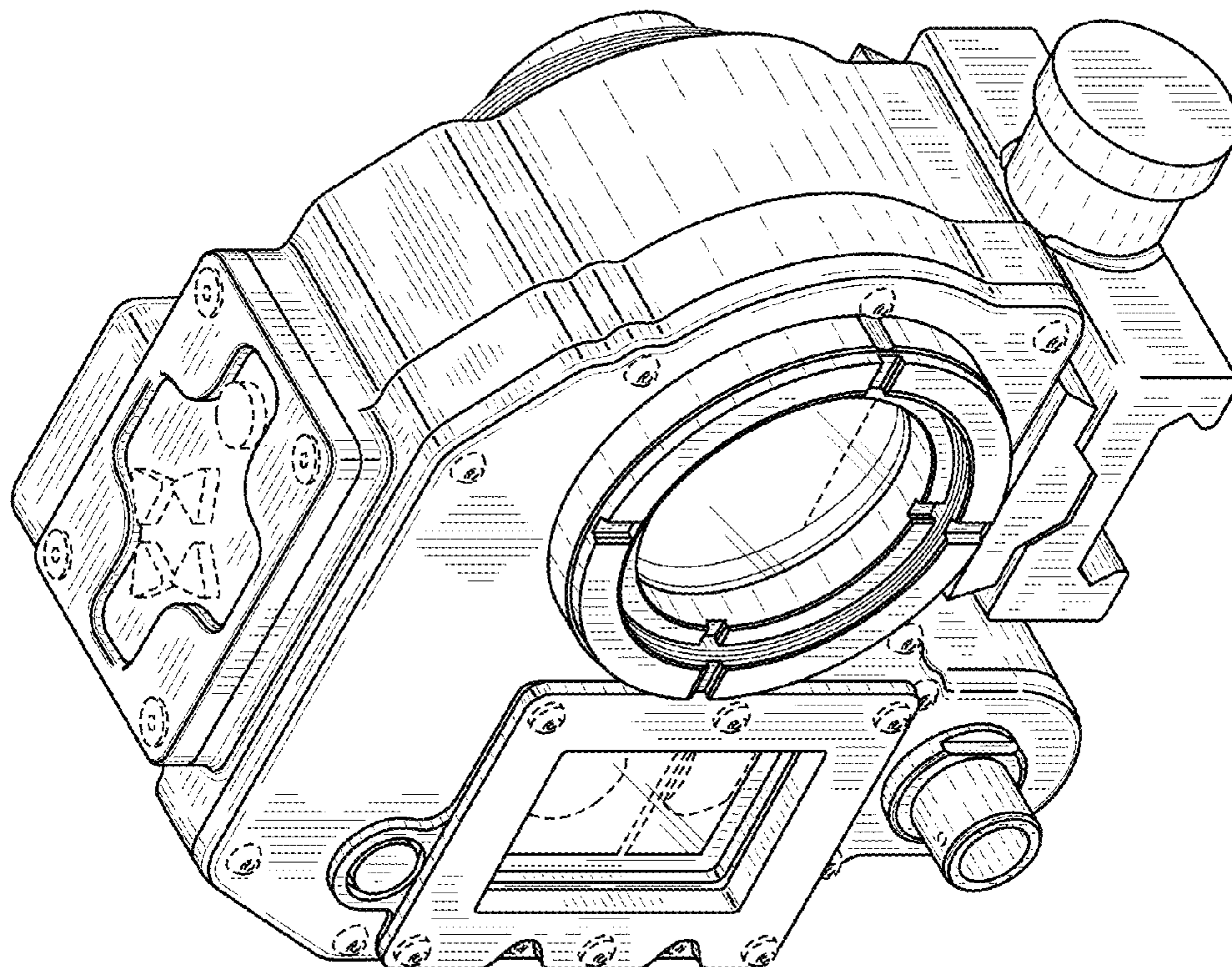


FIG. 1

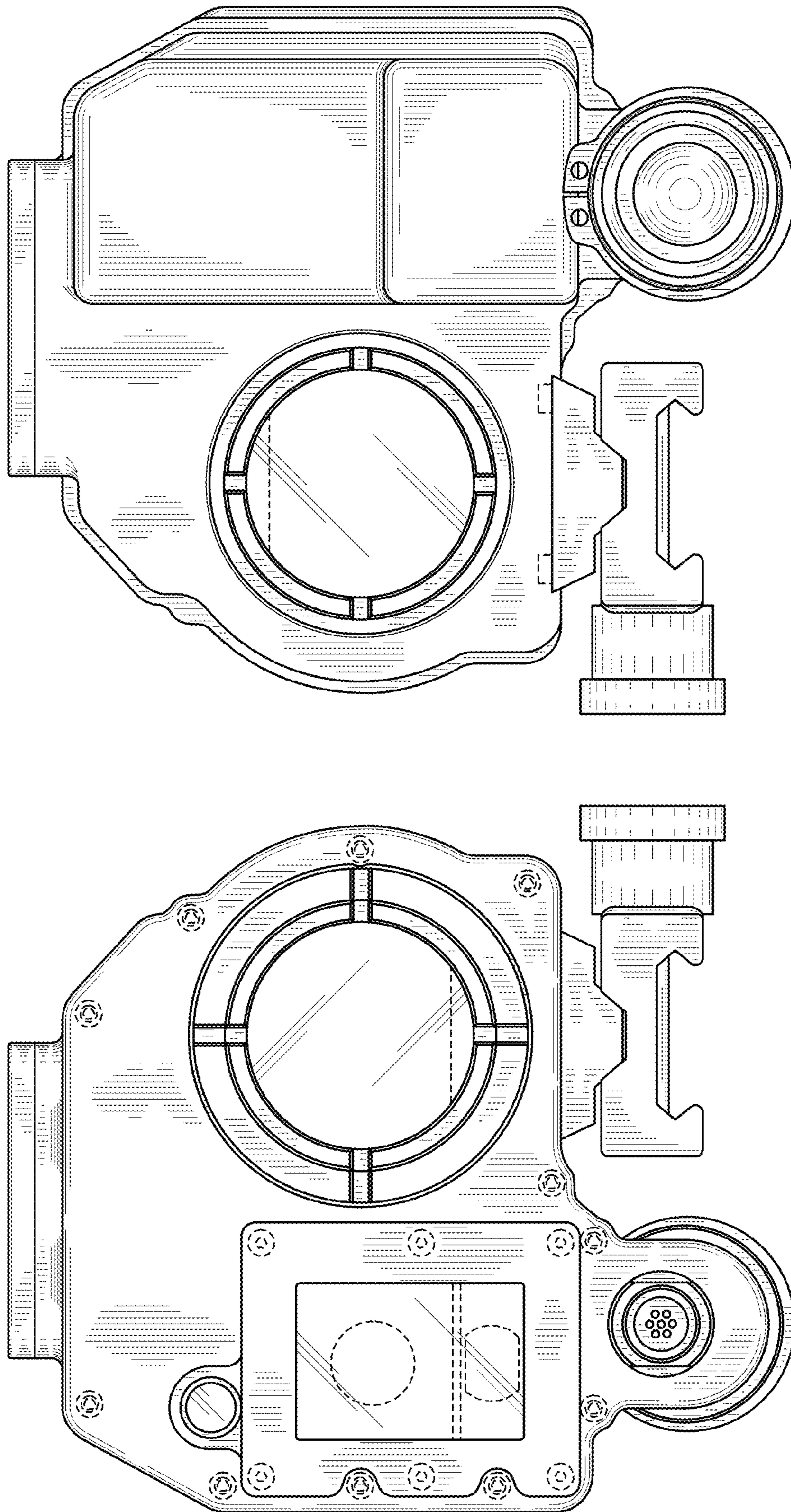


FIG. 4

FIG. 3

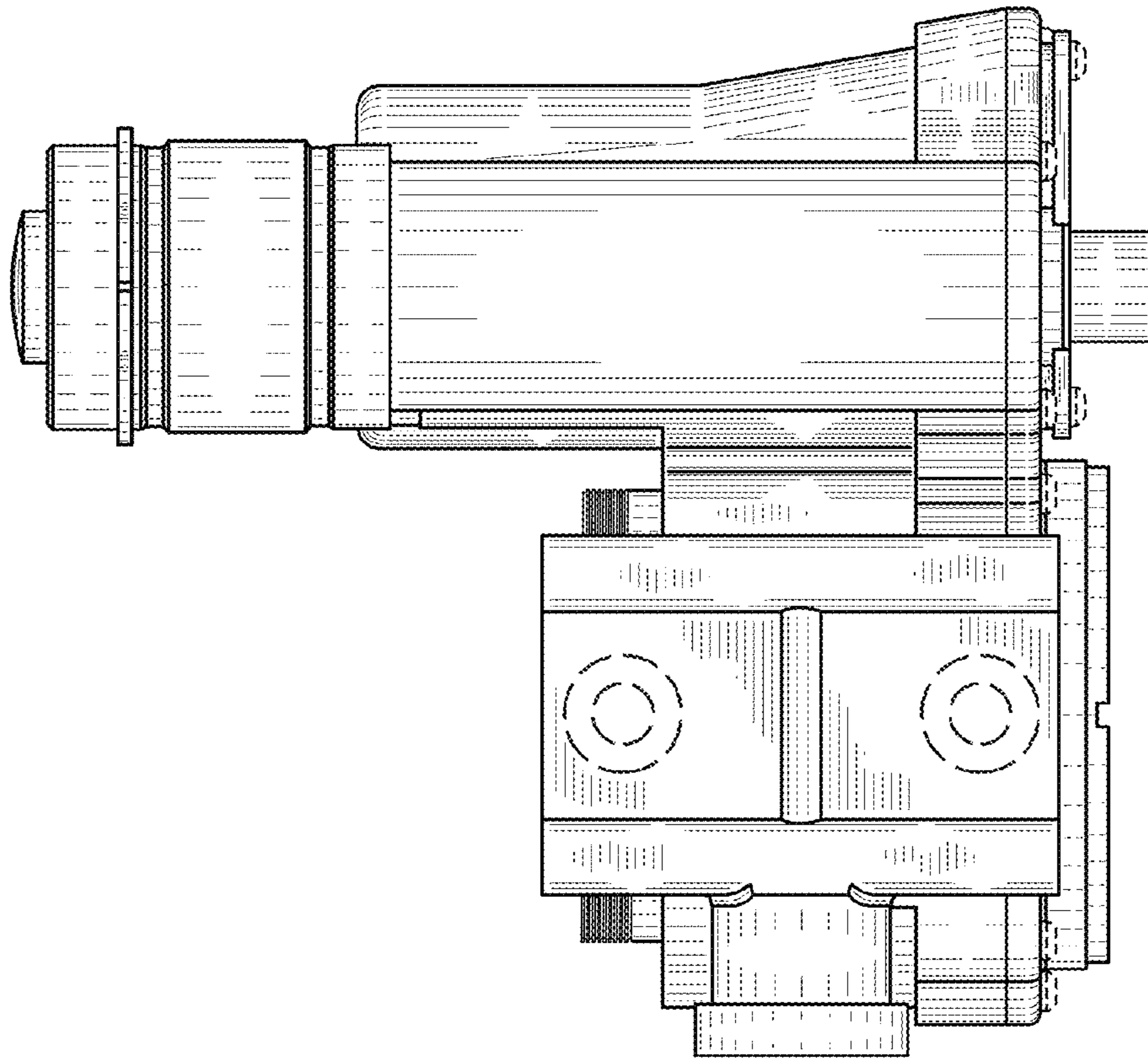


FIG. 6

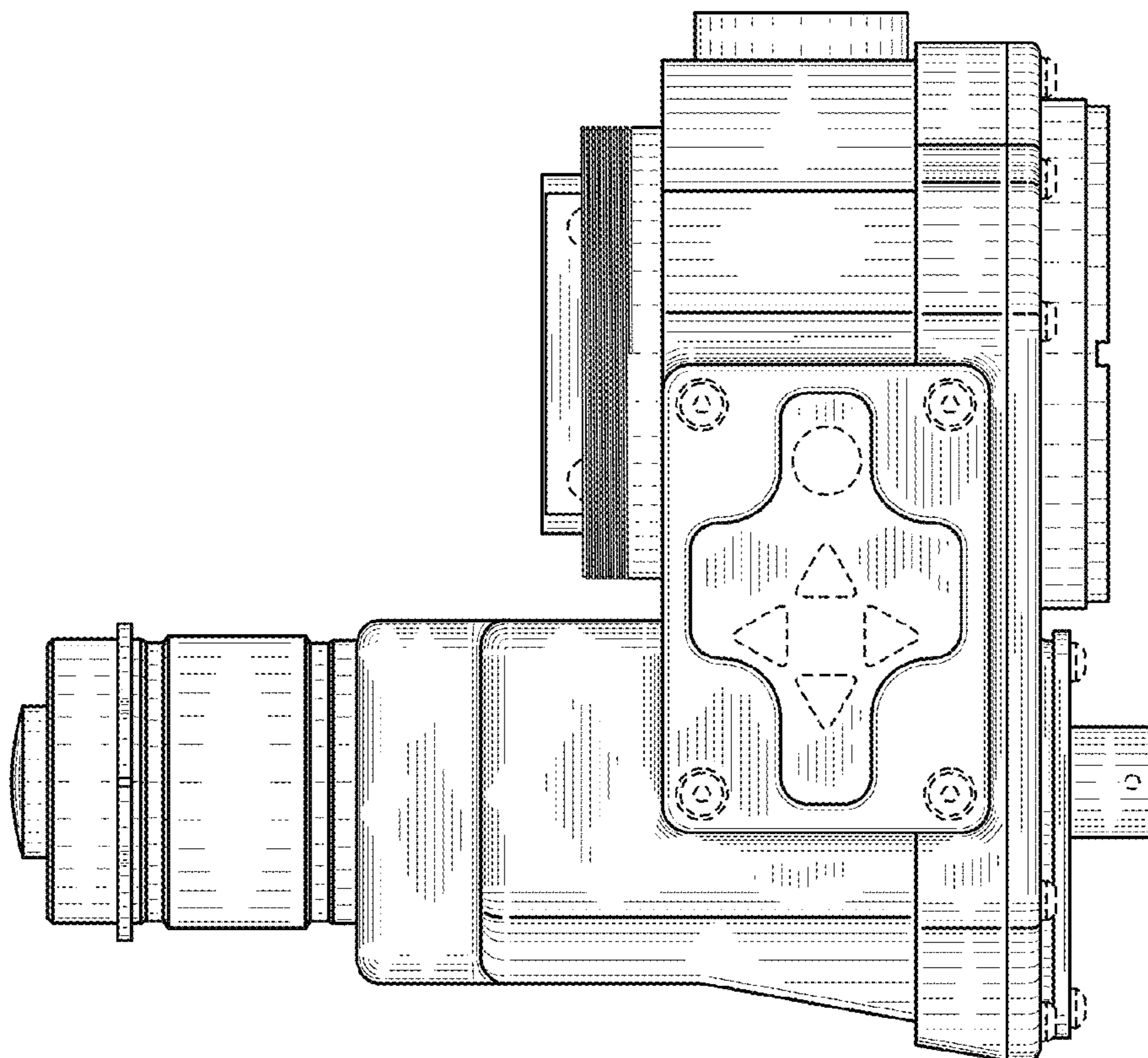


FIG. 5

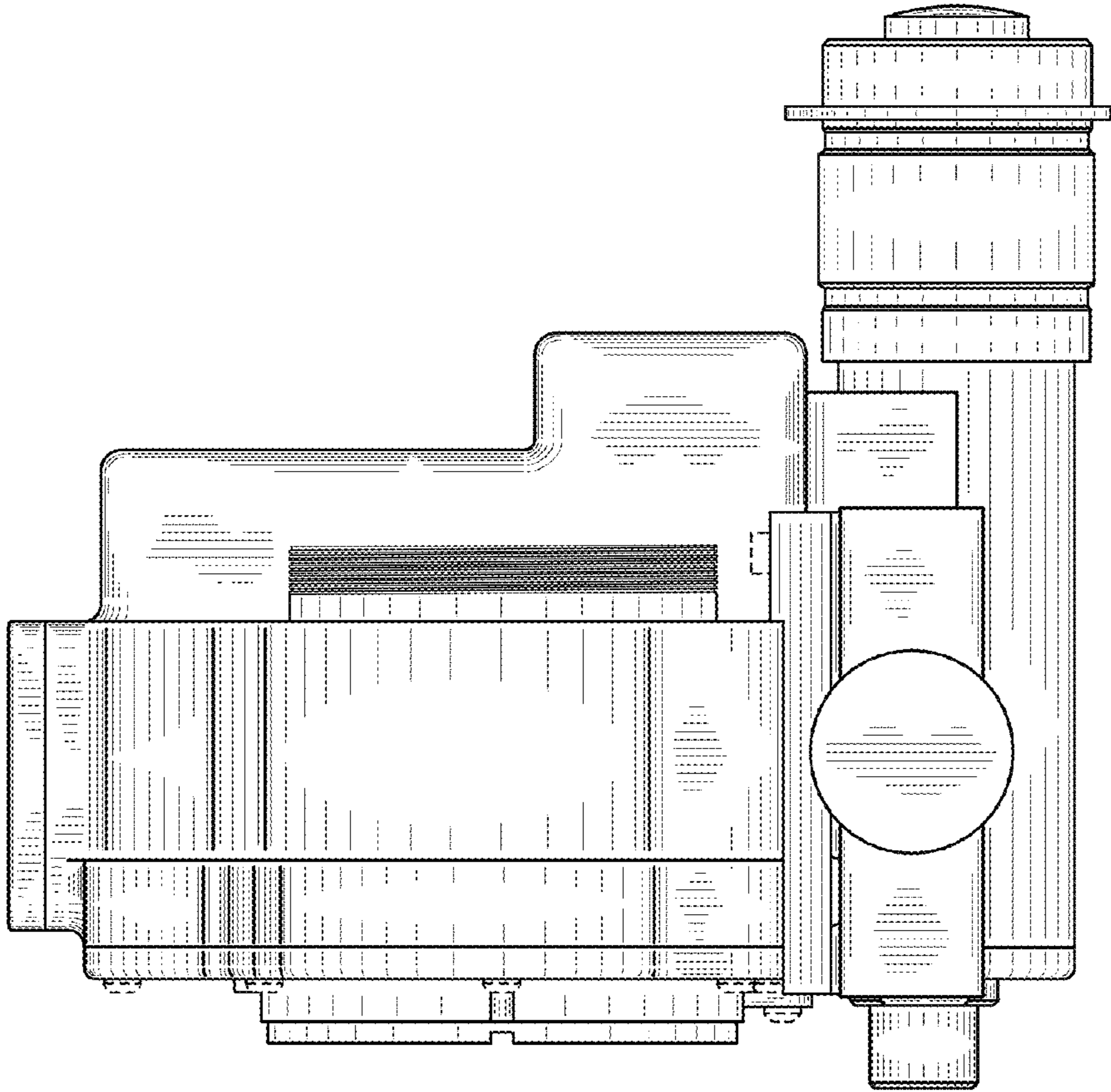


FIG. 8

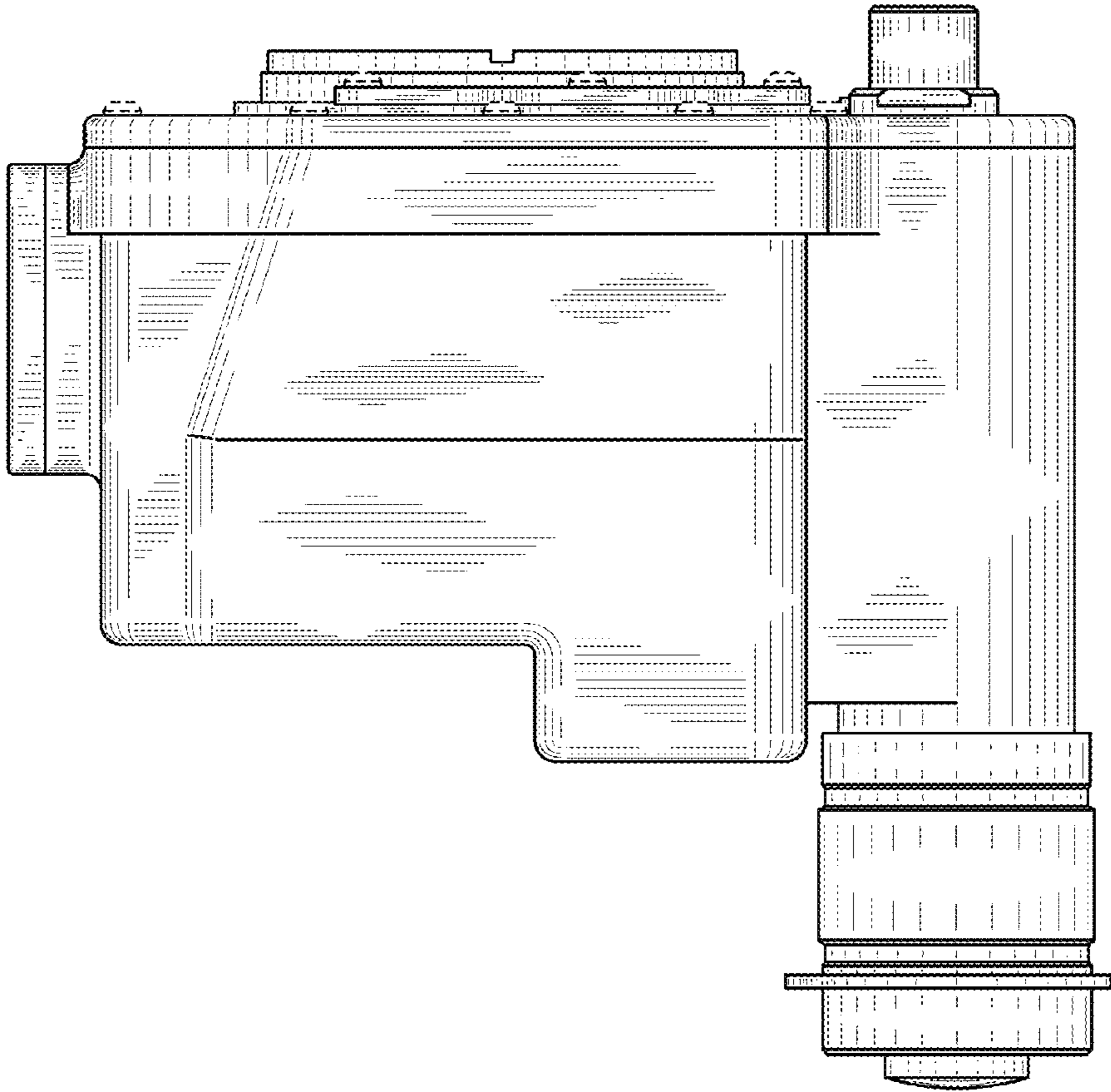


FIG. 7

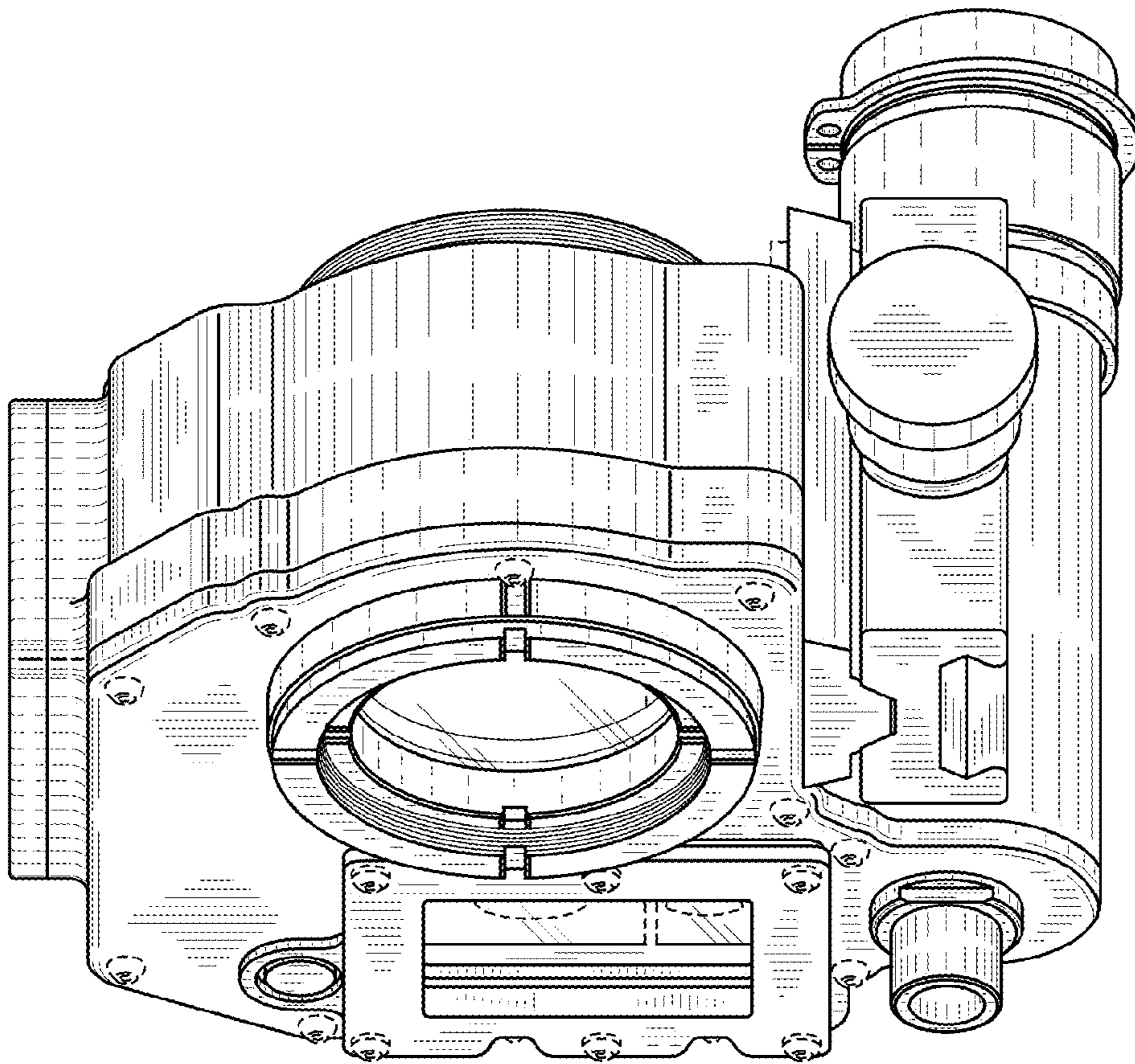


FIG. 10

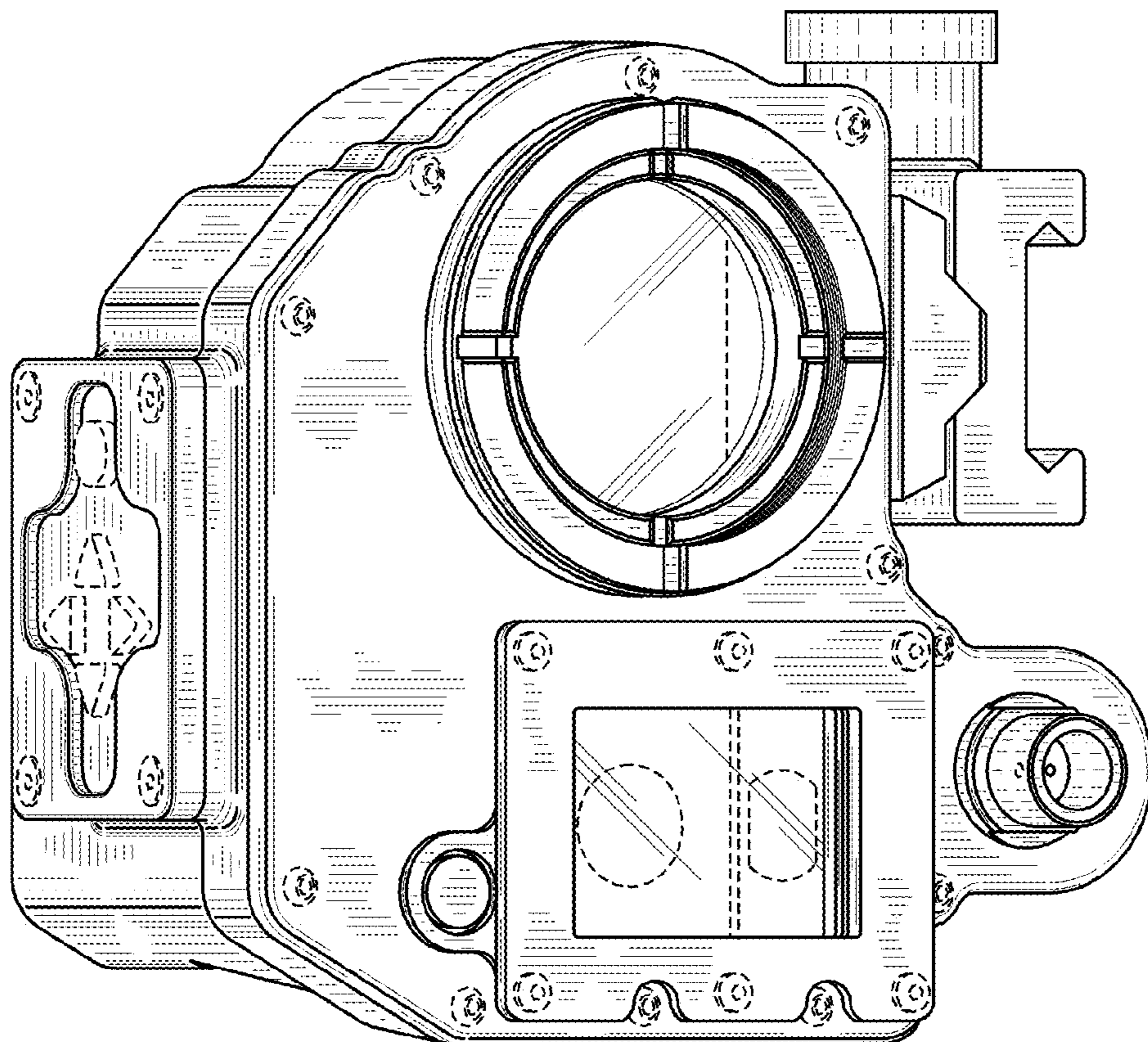


FIG. 9