



US00D757146S

(12) **United States Design Patent**
Walter et al.

(10) **Patent No.:** **US D757,146 S**
(45) **Date of Patent:** **** May 24, 2016**

- (54) **MONITORING CAMERA**
- (71) Applicant: **Axis AB**, Lund (SE)
- (72) Inventors: **Mathias Walter**, Arlov (SE); **Morten Bergstrom**, Bjarred (SE); **Daniel Ahman**, Lomma (SE); **Ilhan Veli**, Malmo (SE)
- (73) Assignee: **AXIS AB**, Lund (SE)
- (**) Term: **14 Years**
- (21) Appl. No.: **29/525,532**
- (22) Filed: **Apr. 30, 2015**
- (51) **LOC (10) Cl.** **16-01**
- (52) **U.S. Cl.**
USPC **D16/203**
- (58) **Field of Classification Search**
USPC D16/200, 202–206, 218, 219, 242;
348/143, 148, 151, 373–376; 396/419,
396/427, 535, 539–541
CPC G03B 17/02; G03B 19/04; G03B 17/56;
G03B 17/04; G03B 15/03; H04N 5/2251;
H04N 5/2252; H04N 5/2253; H04N 5/2254;
H04N 7/181; H04N 7/183; H04N 7/18;
G08B 13/1963; G08B 13/19619; G08B
13/19632
See application file for complete search history.

D558,811 S *	1/2008	Higgins	D16/203
D561,220 S *	2/2008	Alm	D16/203
D629,436 S *	12/2010	Cheng	D16/203
D643,455 S *	8/2011	Raa	D16/203
D689,536 S *	9/2013	Li	D16/203
D700,231 S *	2/2014	Berkmortel	D16/203
D729,861 S *	5/2015	Huang	D16/203
D748,711 S *	2/2016	Roth	D16/218
2013/0107110 A1 *	5/2013	Park	H04N 5/2252 348/373

FOREIGN PATENT DOCUMENTS

EM	000600770	11/2006
TW	D166556	3/2015

* cited by examiner

Primary Examiner — Susan E Krakower

Assistant Examiner — Ramzi Almatrahi

(74) *Attorney, Agent, or Firm* — Volpe and Koenig, P.C.

(57) **CLAIM**

We claim the ornamental design for a monitoring camera, as shown and described.

DESCRIPTION

FIG. 1 is a top, front and right side perspective view of a monitoring camera in accordance with our design;

FIG. 2 is a top plan view thereof;

FIG. 3 is a front elevational view thereof;

FIG. 4 is a left side elevational view thereof;

FIG. 5 is a right side elevational view thereof;

FIG. 6 is a rear elevational view thereof; and,

FIG. 7 is a bottom plan view thereof.

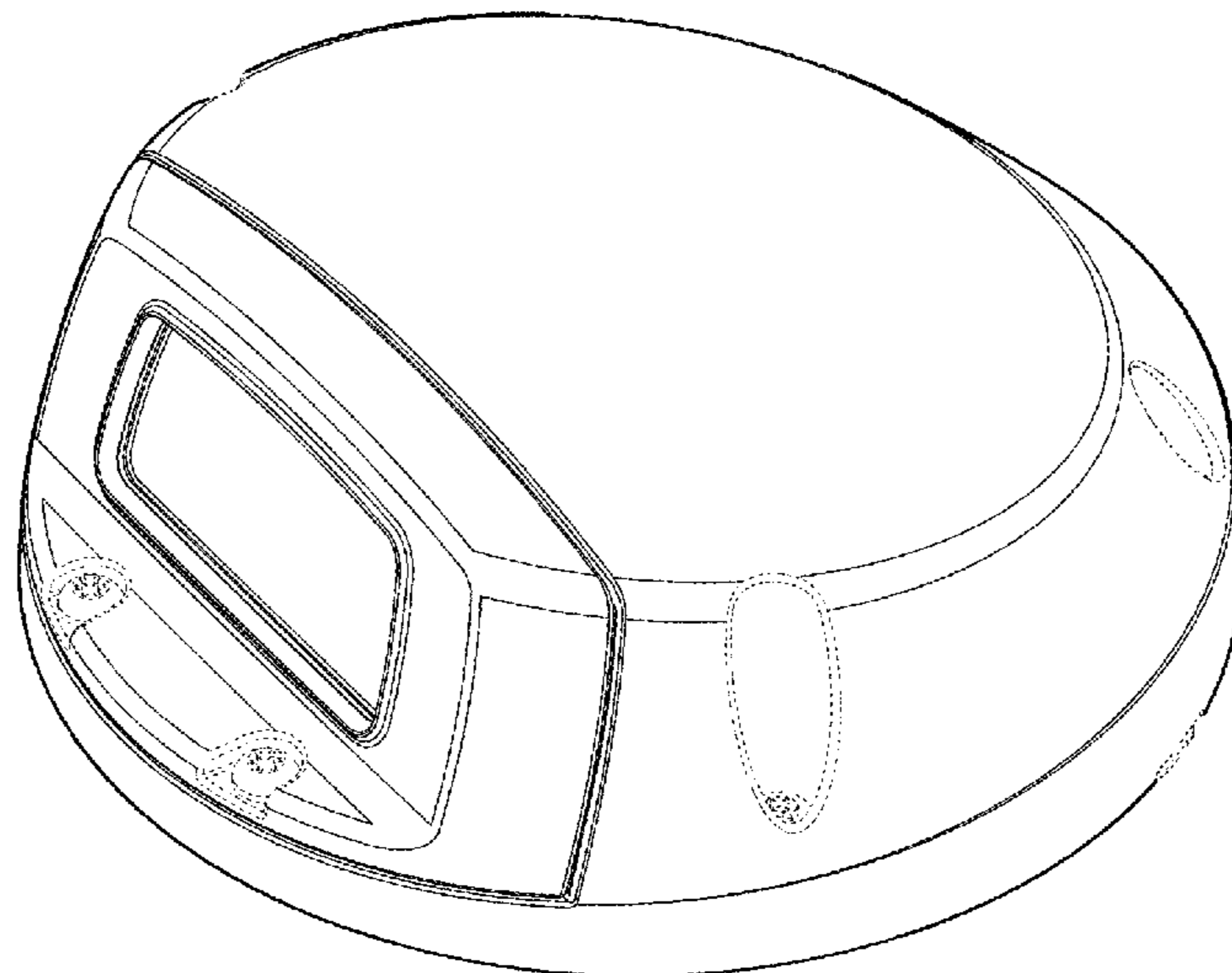
The broken lines depict portions of a monitoring camera in which the design is embodied and form no part of the claimed design.

1 Claim, 7 Drawing Sheets

(56) **References Cited**

U.S. PATENT DOCUMENTS

D455,164 S *	4/2002	Tsang	D16/202
D455,166 S *	4/2002	Raad	D10/104.1
D455,768 S *	4/2002	Tsang	D16/202
D556,233 S *	11/2007	Webb	D16/202



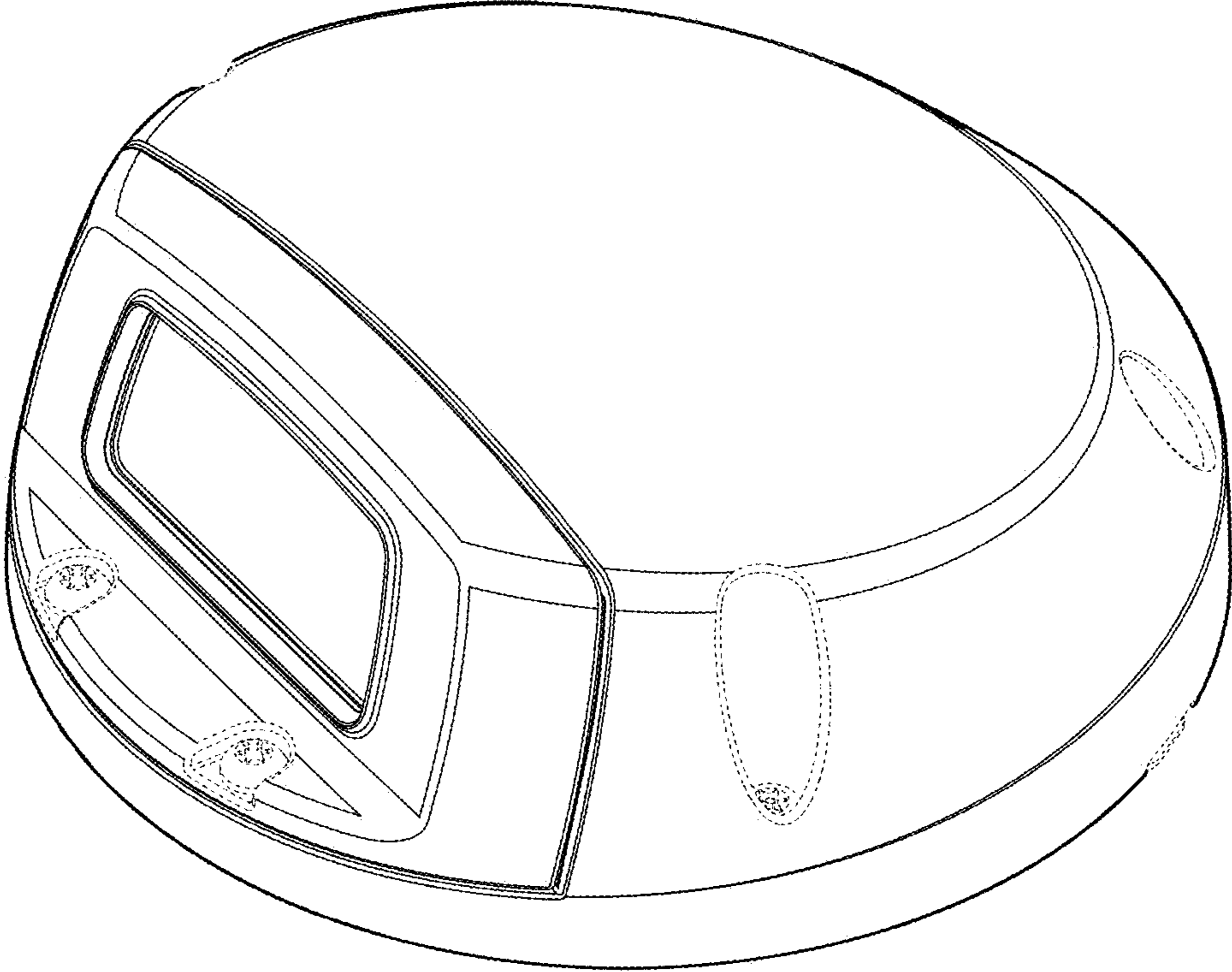


Figure 1

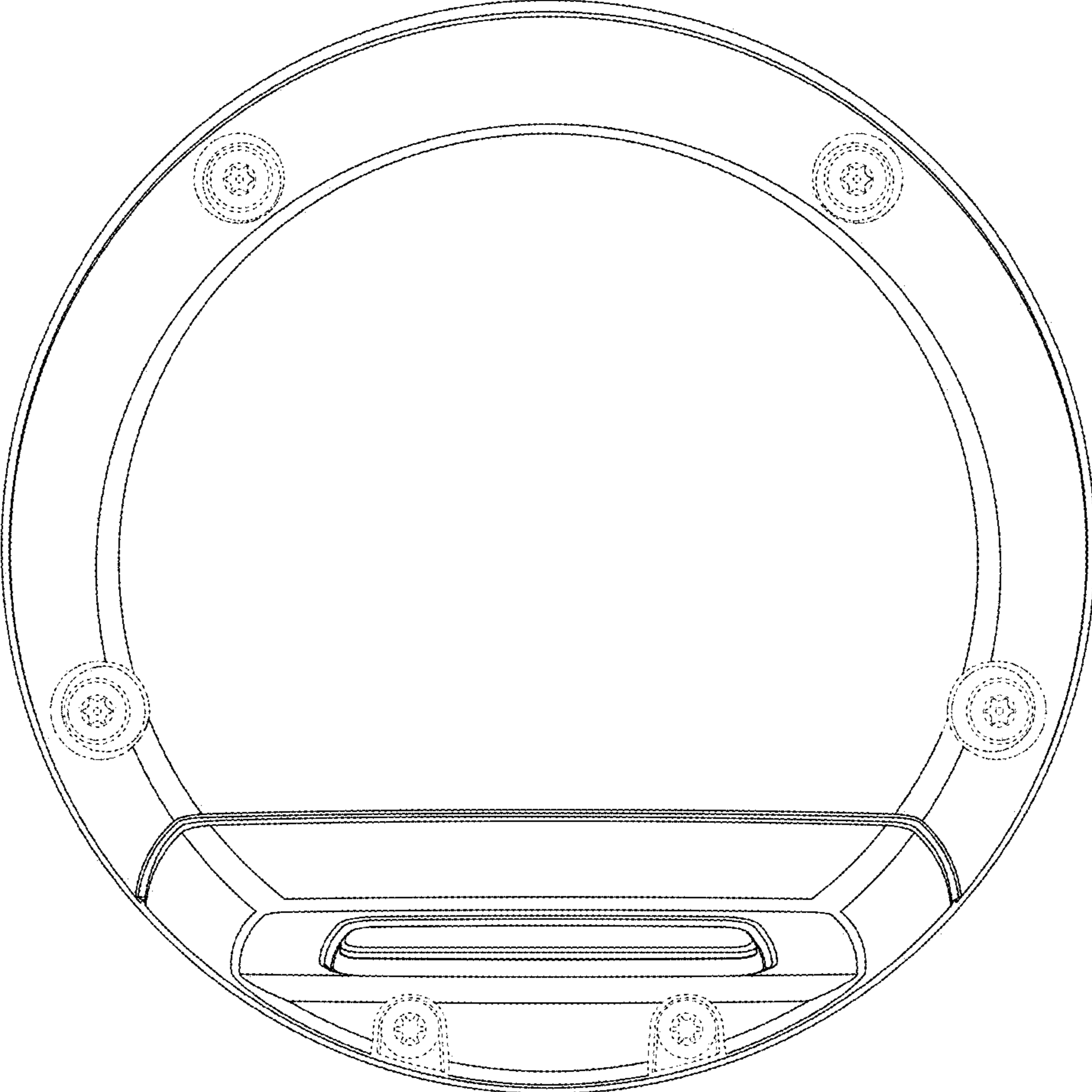


Figure 2

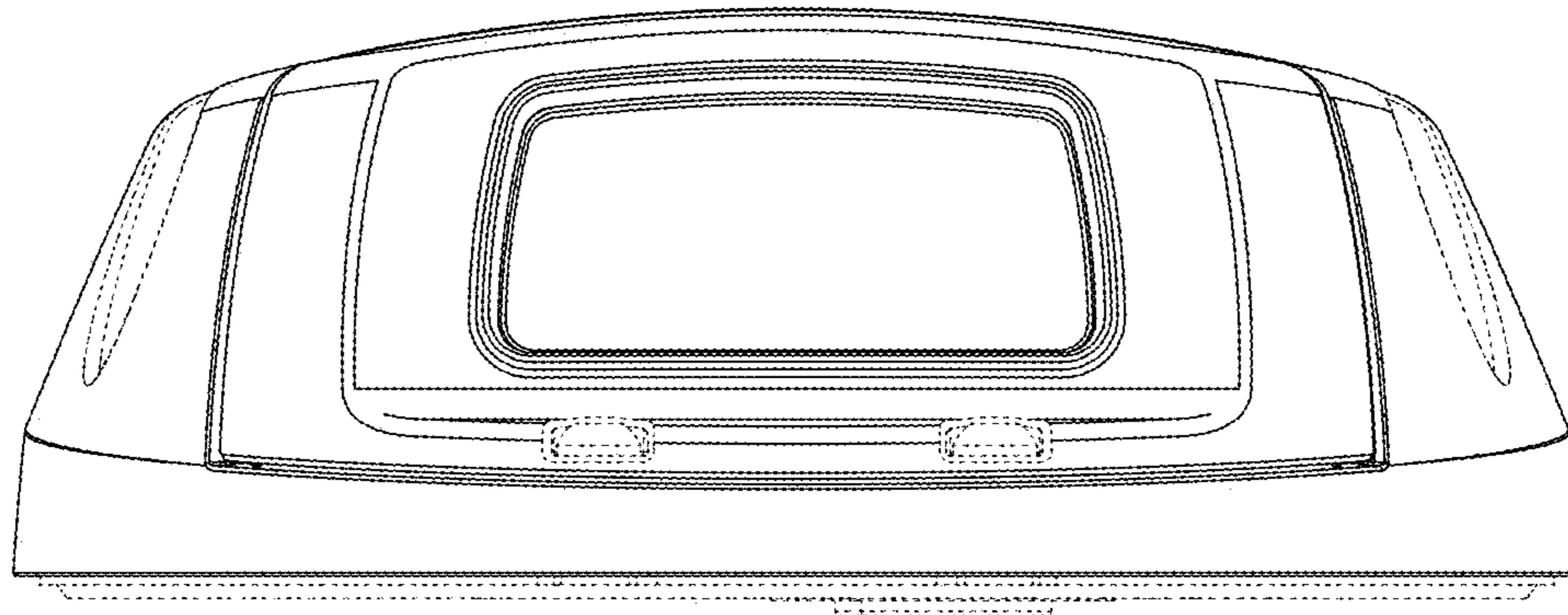


Figure 3

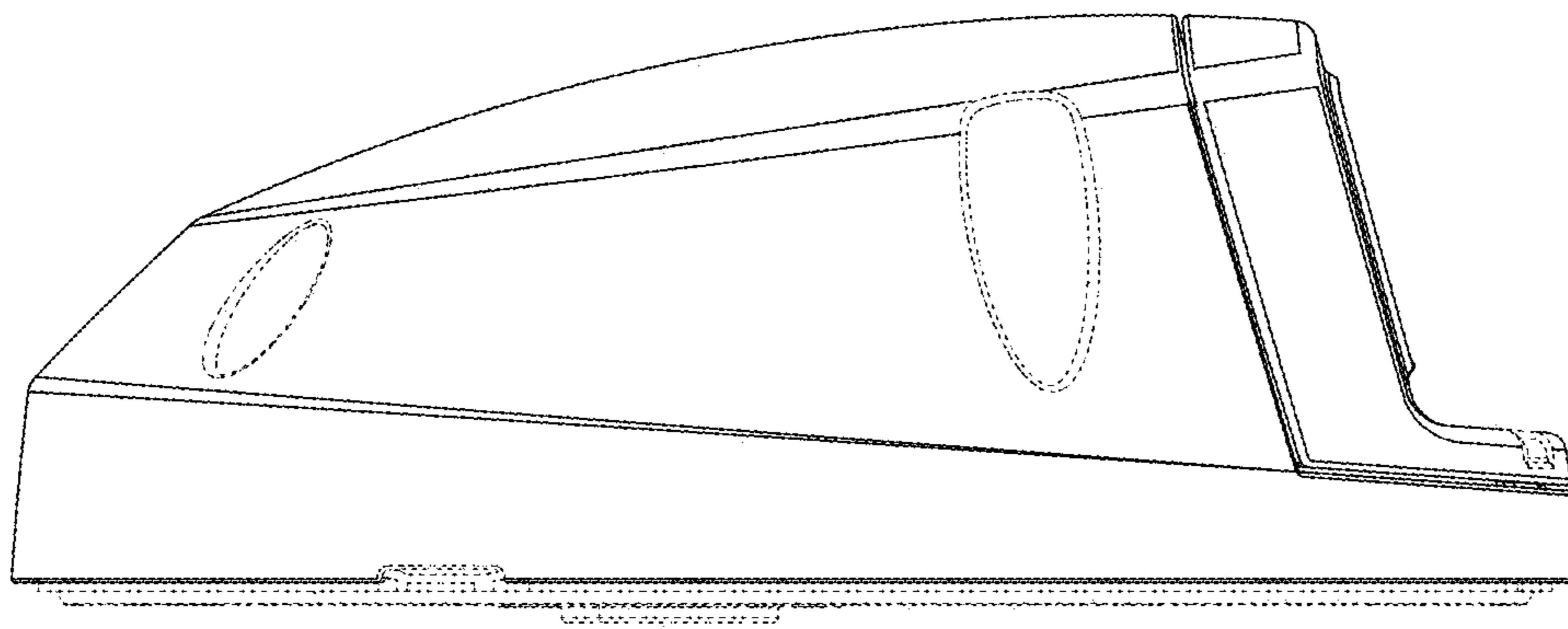


Figure 4

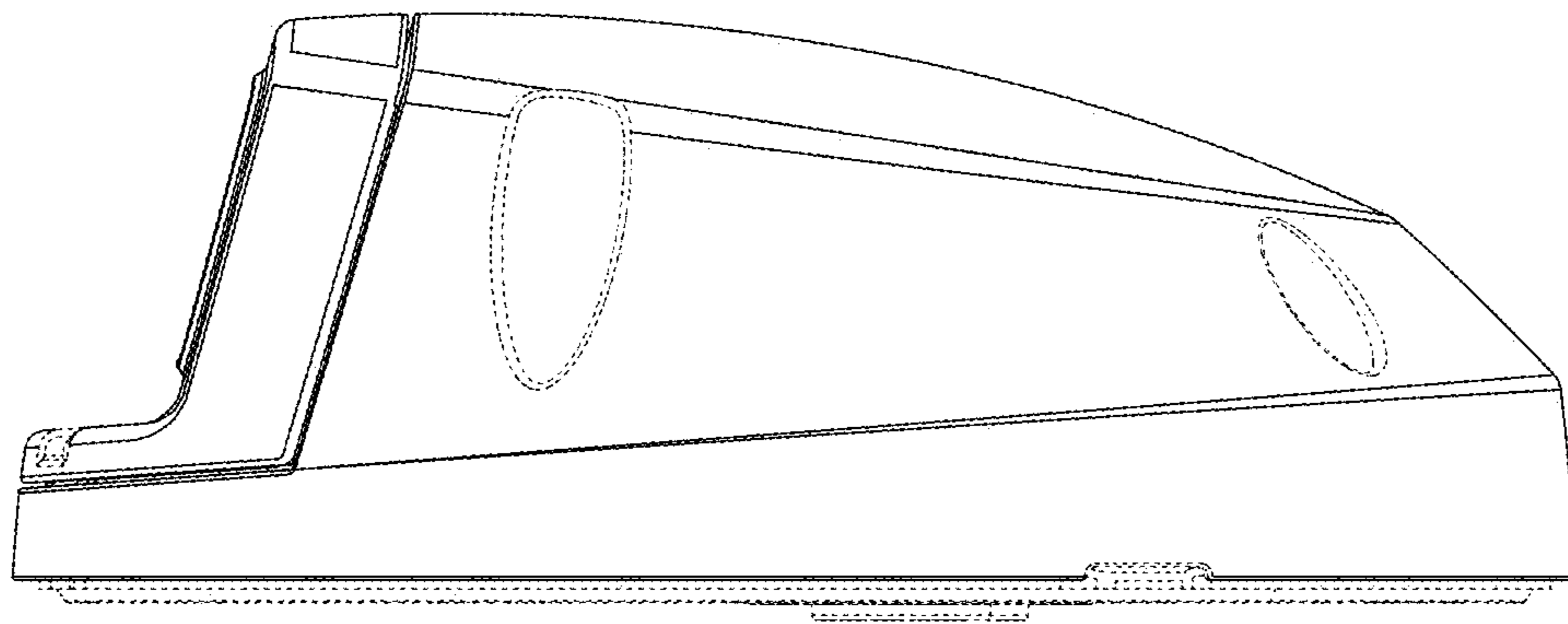


Figure 5

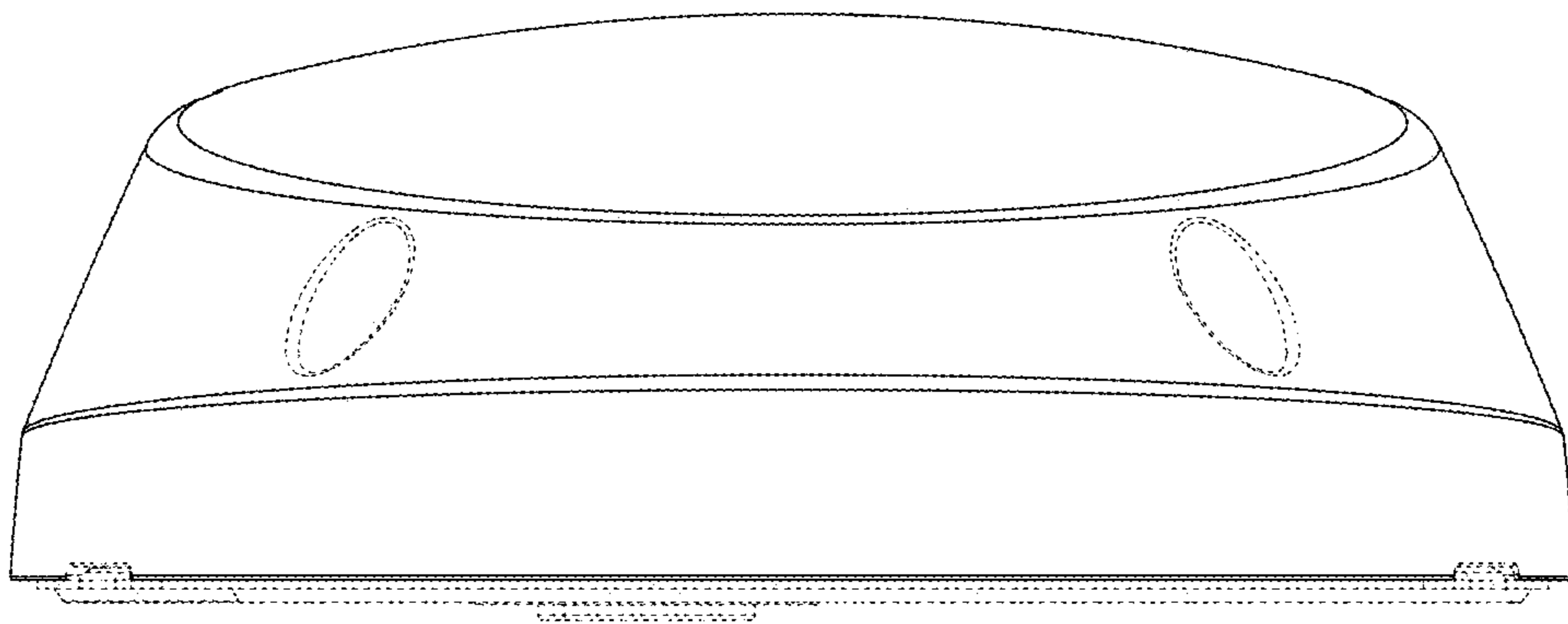


Figure 6

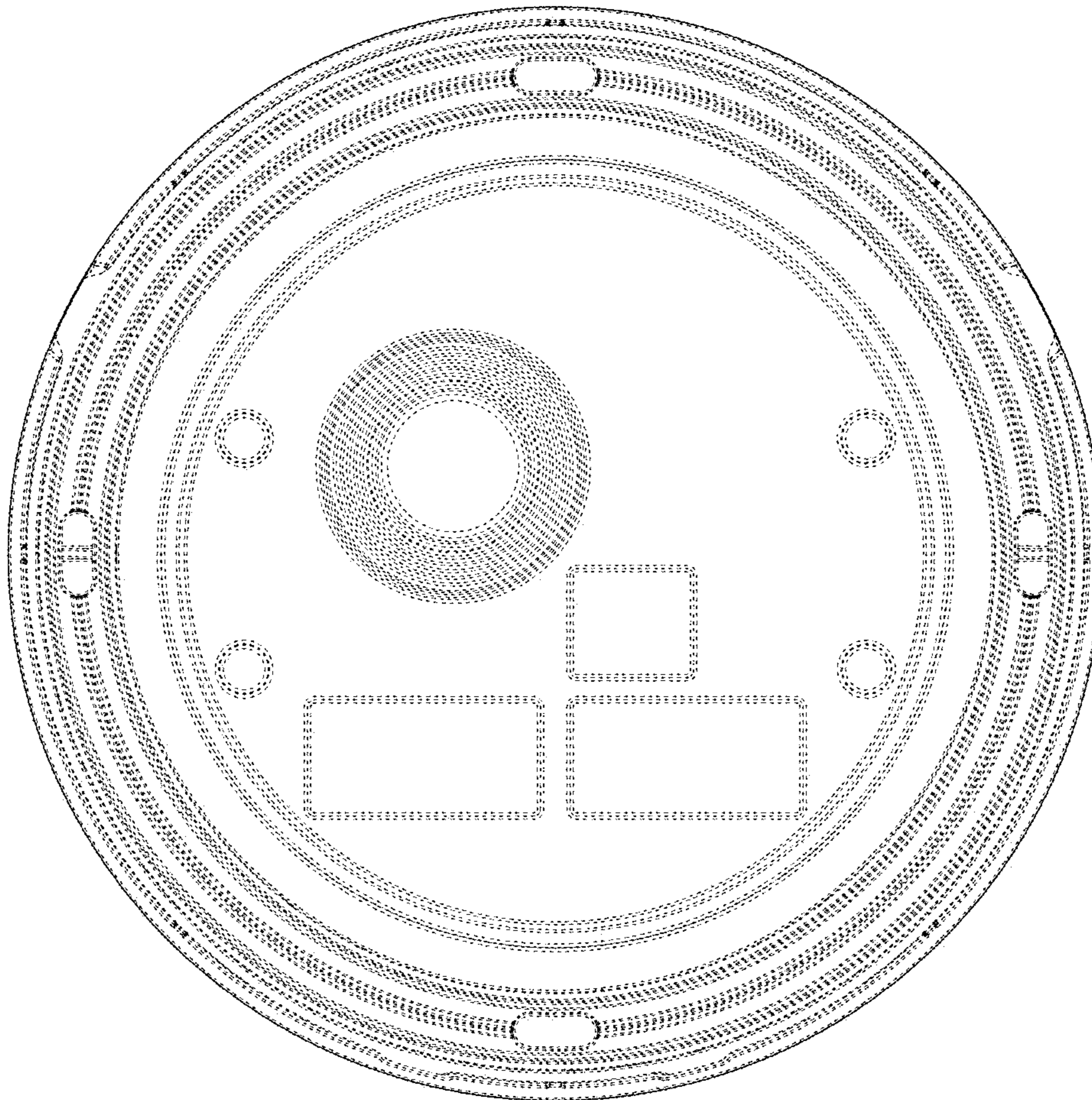


Figure 7

UNITED STATES PATENT AND TRADEMARK OFFICE
CERTIFICATE OF CORRECTION

PATENT NO. : D757,146 S
APPLICATION NO. : 29/525532
DATED : May 24, 2016
INVENTOR(S) : Walter et al.

Page 1 of 1

It is certified that error appears in the above-identified patent and that said Letters Patent is hereby corrected as shown below:

ON THE TITLE PAGE

Please insert

--(30) Foreign Application Priority Data WO Priority Document No. 002567628, filed
October 30, 2014--.

Signed and Sealed this
Fourth Day of October, 2016



Michelle K. Lee
Director of the United States Patent and Trademark Office