

US00D757142S

(12) **United States Design Patent**  
**Pung et al.**

(10) **Patent No.:** **US D757,142 S**  
(45) **Date of Patent:** **\*\* May 24, 2016**

- (54) **BANJO SHAPED GOLD PAN**
- (71) Applicants: **Michael Pung**, Midwest City, OK (US);  
**Stevan Wilcox**, Arvada, CO (US)
- (72) Inventors: **Michael Pung**, Midwest City, OK (US);  
**Stevan Wilcox**, Arvada, CO (US)
- (\*\*) Term: **14 Years**
- (21) Appl. No.: **29/505,052**
- (22) Filed: **May 8, 2015**
- (51) **LOC (10) Cl.** ..... **15-09**
- (52) **U.S. Cl.**  
USPC ..... **D15/147**
- (58) **Field of Classification Search**  
USPC ..... D7/538; D8/499; D11/157; D15/21,  
D15/147  
See application file for complete search history.

- (56) **References Cited**  
**U.S. PATENT DOCUMENTS**  
D25,131 S 2/1896 Fowler, Jr.  
1,419,405 A \* 6/1922 Ord ..... B03B 5/02  
209/447  
1,948,797 A \* 2/1934 Nicolai ..... B03B 5/02  
209/275  
1,972,645 A \* 9/1934 Danills ..... B03B 5/02  
209/447  
3,855,119 A 12/1974 Stephenson  
3,899,418 A \* 8/1975 Lawrence ..... B03B 5/06  
209/447  
4,162,969 A \* 7/1979 Lagal ..... B03B 5/06  
209/447  
4,273,648 A \* 6/1981 Legg ..... B03B 5/26  
209/447  
4,289,241 A 9/1981 Litrap  
4,319,994 A \* 3/1982 Morgan ..... B03B 5/02  
209/447  
D268,588 S \* 4/1983 Cubbison ..... D15/147  
4,400,269 A \* 8/1983 Gordon, Jr. .... B03B 5/02  
209/447  
D289,269 S \* 4/1987 Fleckenstein ..... D11/157  
4,671,868 A \* 6/1987 Ottrok ..... C22B 11/10  
209/178  
5,172,826 A \* 12/1992 Celaya ..... A47G 19/02  
220/574  
5,190,158 A 3/1993 Remias  
5,275,294 A \* 1/1994 Krenzler ..... B07B 13/11  
209/434

- 5,423,430 A \* 6/1995 Zaffiro ..... B07B 1/02  
209/315
- 5,447,239 A 9/1995 Tubbs, Jr.
- D377,182 S 1/1997 Simpson
- 5,667,076 A 9/1997 Rosman
- 5,785,182 A 7/1998 Ashcraft
- 5,788,293 A \* 8/1998 Krenzler ..... B03B 5/74  
209/434
- 5,868,366 A \* 2/1999 Tubbs, Jr. .... B03B 5/74  
209/434
- 5,957,303 A \* 9/1999 Krenzler ..... B03B 5/02  
209/434
- 6,095,342 A \* 8/2000 Ashcraft ..... B03B 5/02  
209/447
- 6,216,367 B1 \* 4/2001 Tubbs ..... B03B 5/26  
209/474
- D442,831 S \* 5/2001 Jacobs ..... D7/584
- D475,727 S 6/2003 Kelava
- D493,672 S \* 8/2004 Jalet ..... D7/586
- D494,818 S \* 8/2004 Jalet ..... D7/584
- 7,093,719 B2 \* 8/2006 Roper ..... B03B 5/26  
209/18
- D663,749 S 7/2012 Evans
- D666,086 S \* 8/2012 Mundhra ..... D7/667
- D728,630 S \* 5/2015 Vetter ..... D15/21
- 9,132,452 B2 \* 9/2015 Trivette ..... B07B 1/46

\* cited by examiner

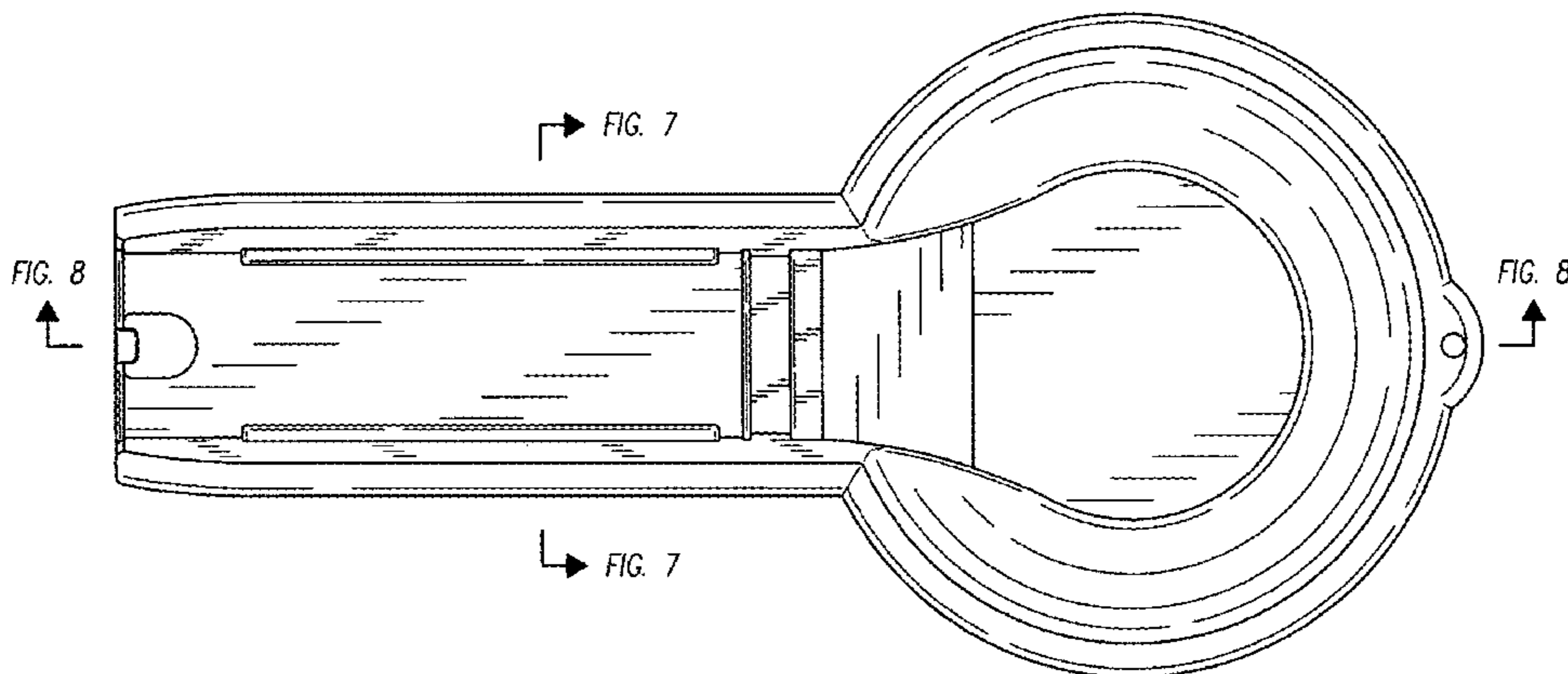
*Primary Examiner* — Patricia Palasik  
(74) *Attorney, Agent, or Firm* — Randal D. Homburg

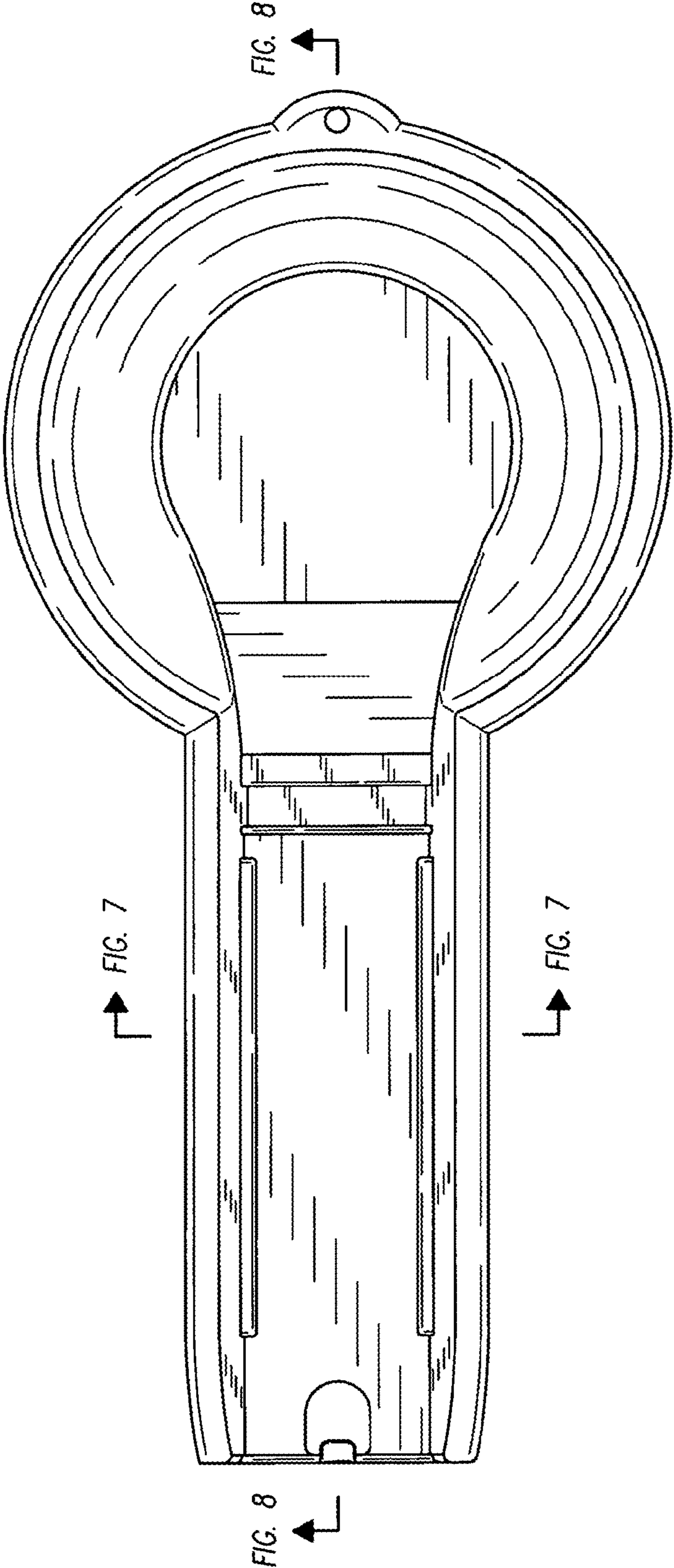
(57) **CLAIM**  
The ornamental design for a banjo shaped gold pan, as shown and described.

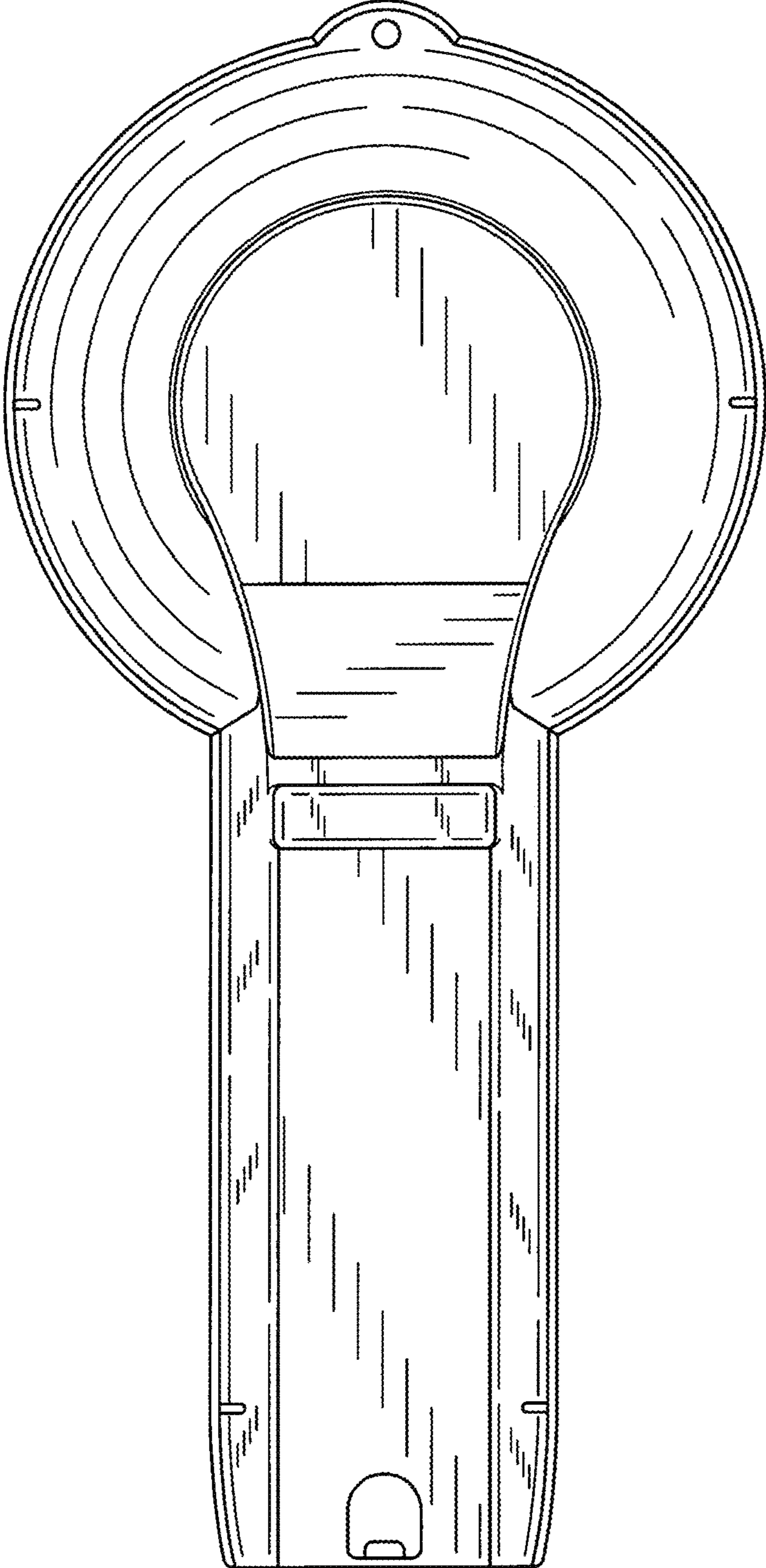
**DESCRIPTION**

FIG. 1 is a top view of the gold pan.  
 FIG. 2 is a bottom view of the gold pan.  
 FIG. 3 is a right side view of the gold pan.  
 FIG. 4 is a left side view of the gold pan.  
 FIG. 5 is a front end view of the gold pan.  
 FIG. 6 is a rear end view of the gold pan.  
 FIG. 7 is a front cross-sectional end view of the gold pan along section lines /7;7 of FIG. 1.  
 FIG. 8 is a cross-sectional right side view of the gold pan along section lines /8;8 of FIG. 1.  
 FIG. 9 is a top front perspective view of the gold pan; and,  
 FIG. 10 is a top rear perspective view of the gold pan.

**1 Claim, 6 Drawing Sheets**







N  
O  
T  
E

