



US00D757141S

(12) **United States Design Patent**
Rechberg et al.

(10) **Patent No.:** **US D757,141 S**
(45) **Date of Patent:** **** May 24, 2016**

- (54) **LINEAR FRICTION SLIDE**
- (71) Applicant: **ACTRON MANUFACTURING, INC.**,
Corona, CA (US)
- (72) Inventors: **Jason A. Rechberg**, Anaheim, CA (US);
Frank H. Rechberg, Corona, CA (US)
- (73) Assignee: **Actron Manufacturing, Inc.**, Corona,
CA (US)

7,878,607 B2 * 2/2011 Huang A47B 88/14
312/334.46

D635,789 S 4/2011 Rechberg et al.

8,277,002 B2 * 10/2012 Perez A47B 88/047
312/333

8,459,758 B2 6/2013 Rechberg et al.

8,585,164 B2 * 11/2013 Chen A47B 88/08
312/333

D695,599 S 12/2013 Rechberg et al.

8,919,897 B2 * 12/2014 Chen E05D 15/0686
312/334.44

2008/0218046 A1 9/2008 Rechberg

(**) Term: **14 Years**

(21) Appl. No.: **29/519,609**

(22) Filed: **Mar. 6, 2015**

(51) **LOC (10) Cl.** **15-09**

(52) **U.S. Cl.**
USPC **D15/143; D8/377**

(58) **Field of Classification Search**
USPC D8/377; D15/143
CPC .. A47B 88/0466; A47B 88/047; A47B 88/06;
A47B 88/08; A47B 88/10; A47B 88/12;
A47B 88/14; A47B 2088/0474; A47B
2210/0094

See application file for complete search history.

(56) **References Cited**

U.S. PATENT DOCUMENTS

- 6,817,685 B2 * 11/2004 Lammens A47B 88/044
312/333
- 6,883,885 B2 * 4/2005 Judge A47B 88/10
312/333
- D535,551 S * 1/2007 Milligan D8/377
- D562,366 S * 2/2008 Navarro D15/143
- 7,520,577 B2 * 4/2009 Chen A47B 88/10
312/333
- 7,794,029 B2 * 9/2010 Peng A47B 88/10
312/333

OTHER PUBLICATIONS

Jonathan Engineered Solutions, "Seires 515QD", <http://www.jonathanengr.com/series-515qd-c-62.html>, May 30, 2014, 2 pages.

Igus, "DryLin N: Telescopic Linear Guide", http://www.igus.com/wpck/3595/DryLin_N_Teleskop_System, May 30, 2014, 4 pages.

* cited by examiner

Primary Examiner — Antoine D Davis

(74) *Attorney, Agent, or Firm* — Stetina Brunda Garred & Brucker

(57) **CLAIM**

The ornamental design for a linear friction slide, as shown and described.

DESCRIPTION

FIG. 1 is a front perspective view of the linear friction slide of the present invention showing our new design;

FIG. 2 is a rear perspective view thereof;

FIG. 3 is a right end view thereof;

FIG. 4 is a left end view thereof;

FIG. 5 is a front elevational view thereof;

FIG. 6 is a bottom plan view thereof;

FIG. 7 is a rear elevational view thereof; and,

FIG. 8 is a top plan view thereof.

1 Claim, 2 Drawing Sheets

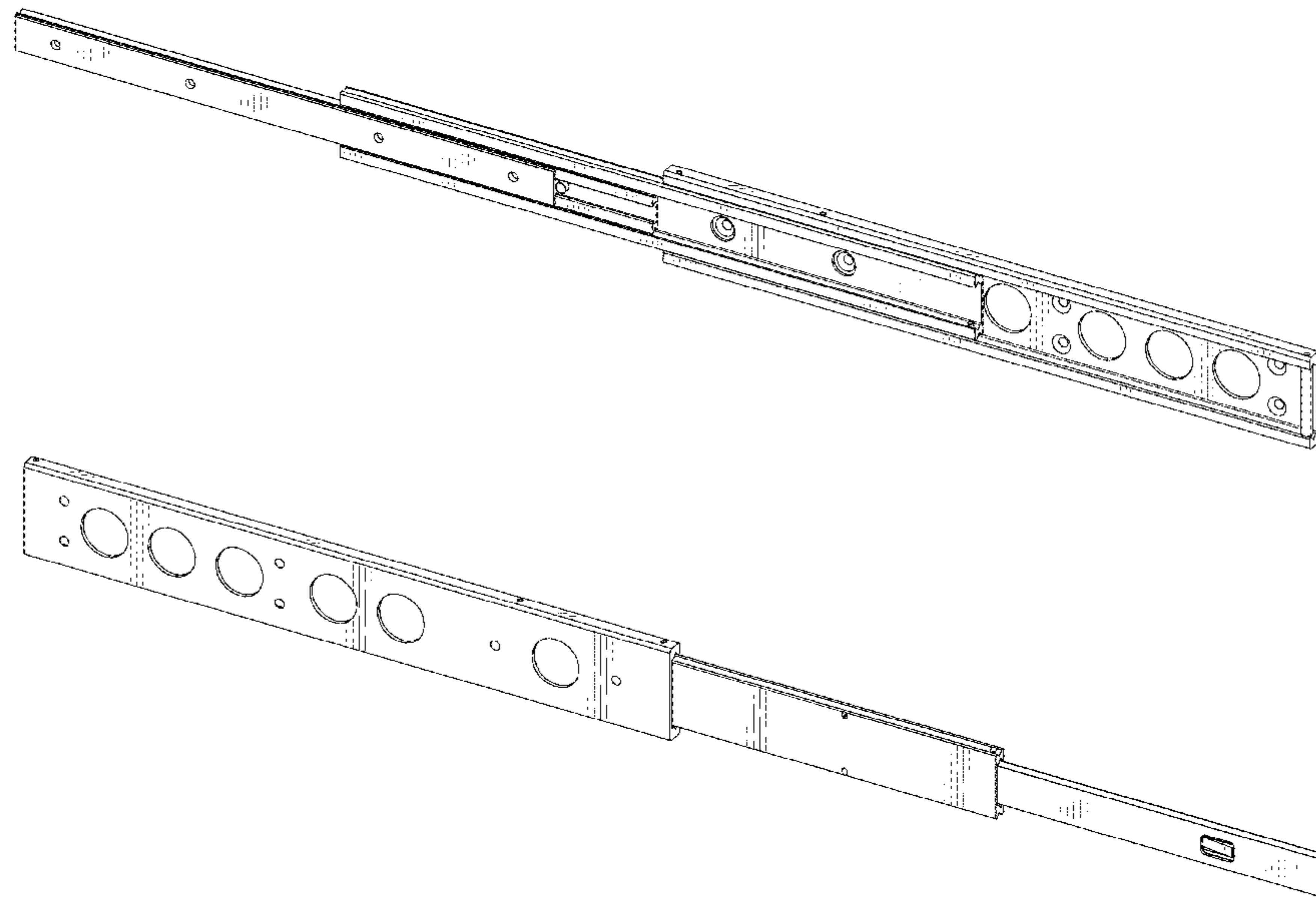




Fig. 4

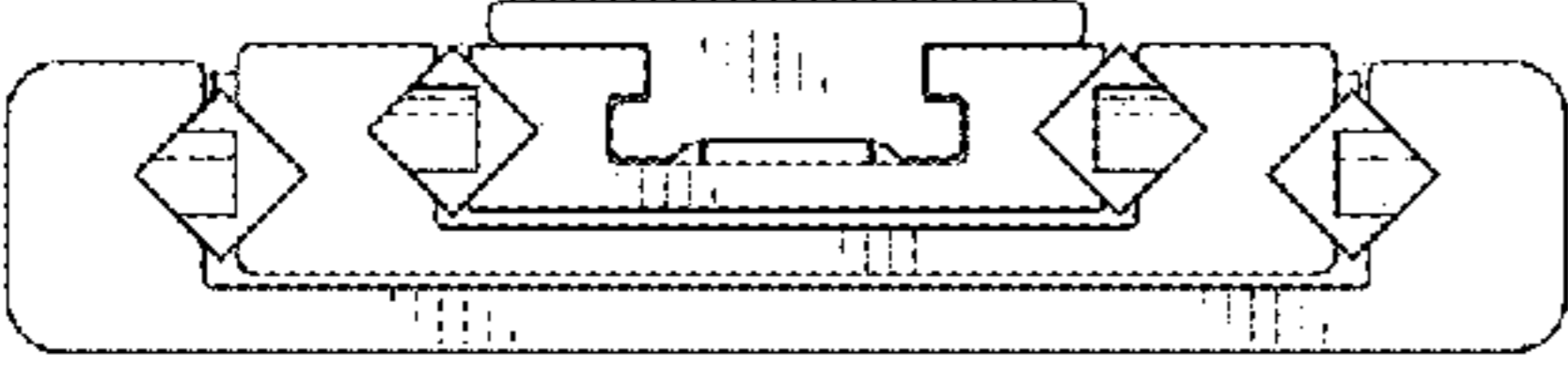


Fig. 3

Fig. 2

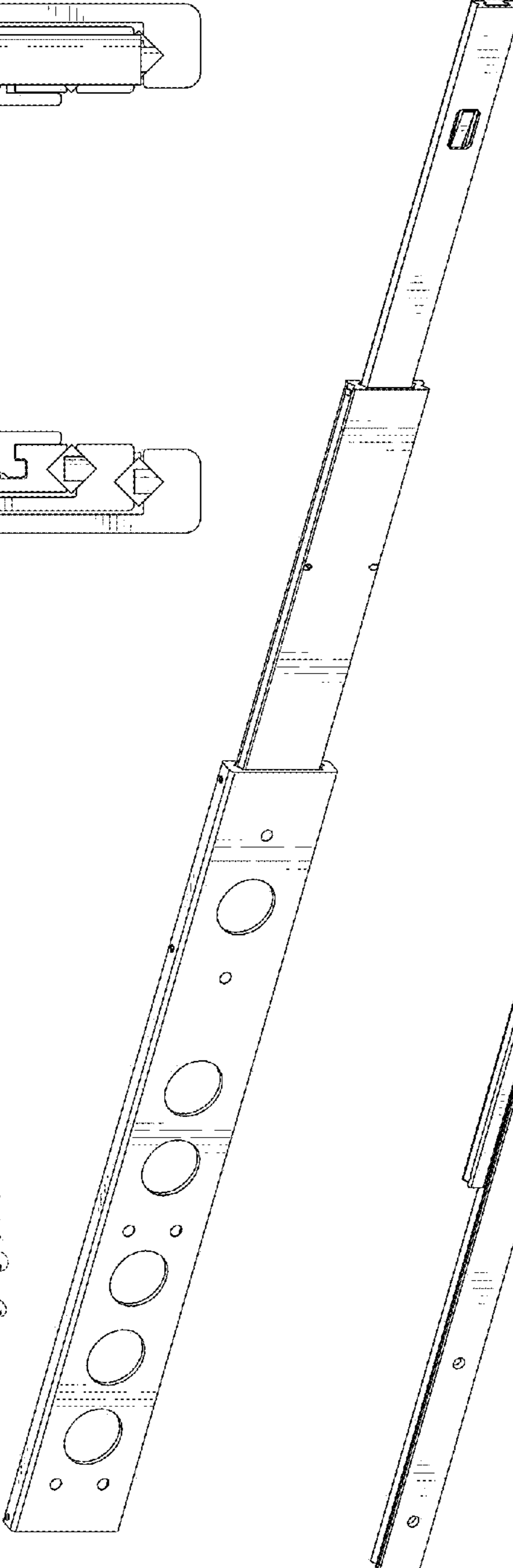
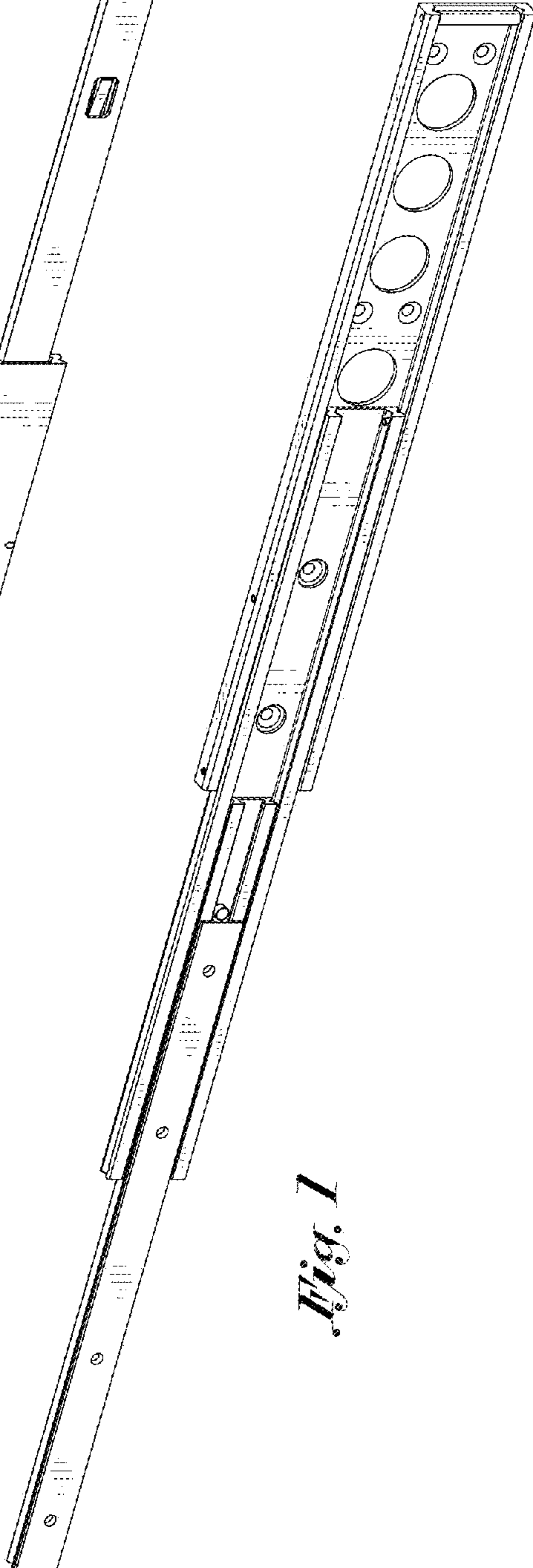


Fig. 1



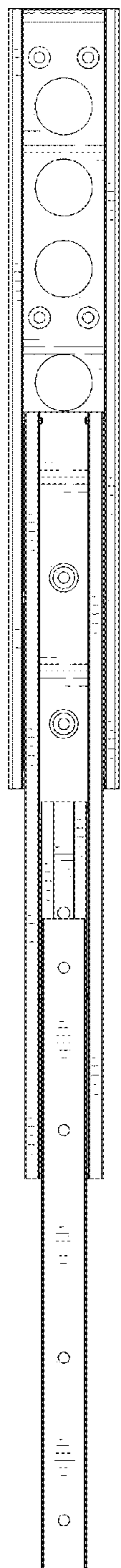


Fig. 5

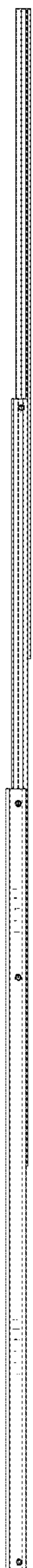


Fig. 6

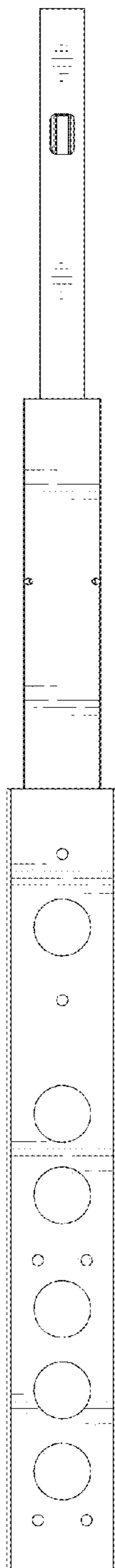


Fig. 7



Fig. 8