



US00D757140S

(12) **United States Design Patent**
Mitchell

(10) **Patent No.:** **US D757,140 S**

(45) **Date of Patent:** **** May 24, 2016**

(54) **RADIAL MACHINE SAFETY GUARD**

(71) Applicant: **John William Mitchell**, Montville, OH (US)

(72) Inventor: **John William Mitchell**, Montville, OH (US)

(73) Assignee: **BEVCORP LLC**, Willoughby, OH (US)

(**) Term: **14 Years**

(21) Appl. No.: **29/517,125**

(22) Filed: **Feb. 10, 2015**

(51) **LOC (10) Cl.** **15-09**

(52) **U.S. Cl.**
USPC **D15/141**

(58) **Field of Classification Search**
USPC D15/140, 199
See application file for complete search history.

(56) **References Cited**

U.S. PATENT DOCUMENTS

244,600	A *	7/1881	Hill	312/34.2
799,233	A *	9/1905	Hubbell	312/135
1,421,331	A *	6/1922	West	312/249.2
1,791,736	A *	2/1931	McCosh	312/114
D153,903	S *	5/1949	Resina	D15/145
2,471,561	A *	5/1949	Fielding	451/452
2,491,035	A *	12/1949	Deacon	74/609
3,512,859	A *	5/1970	Barroero	312/305

3,521,495	A *	7/1970	Schildmeier	73/487
4,244,302	A *	1/1981	Stine	109/2
4,357,839	A *	11/1982	Krejmas	74/615
4,358,651	A *	11/1982	Hostetler et al.	200/334
4,545,630	A *	10/1985	Izumi et al.	312/285
4,928,429	A *	5/1990	Colombo	49/41
D320,607	S *	10/1991	Smith et al.	D15/126
6,325,195	B1 *	12/2001	Doherty	192/133
6,708,448	B2 *	3/2004	Zappa	49/41
D557,519	S *	12/2007	Strawbridge	D6/661.3
7,481,087	B2 *	1/2009	De Vries	70/491
8,789,312	B2 *	7/2014	Landerer	49/41
9,046,740	B1 *	6/2015	Smithweck	

* cited by examiner

Primary Examiner — Patricia Palasik

(74) *Attorney, Agent, or Firm* — Porter Wright Morris & Arthur LLP

(57) **CLAIM**

The ornamental design for a radial machine safety guard, as shown and described.

DESCRIPTION

FIG. 1 is a front perspective view of my radial machine safety guard;

FIG. 2 is a front view thereof;

FIG. 3 is a first side view thereof;

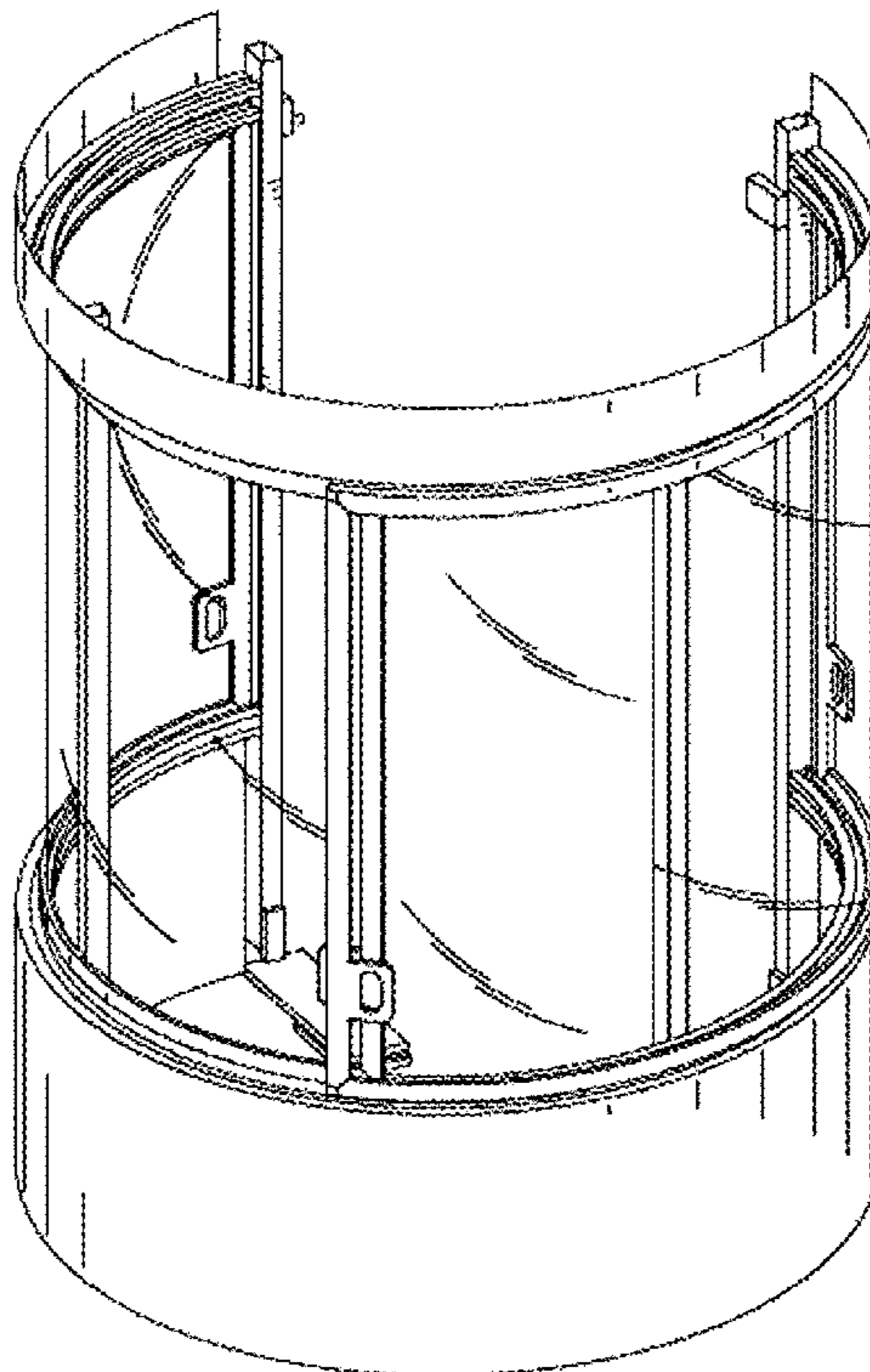
FIG. 4 is a second side view thereof;

FIG. 5 is a rear view thereof;

Fig. 6 is a top view thereof; and,

FIG. 7 is a bottom view thereof.

1 Claim, 7 Drawing Sheets



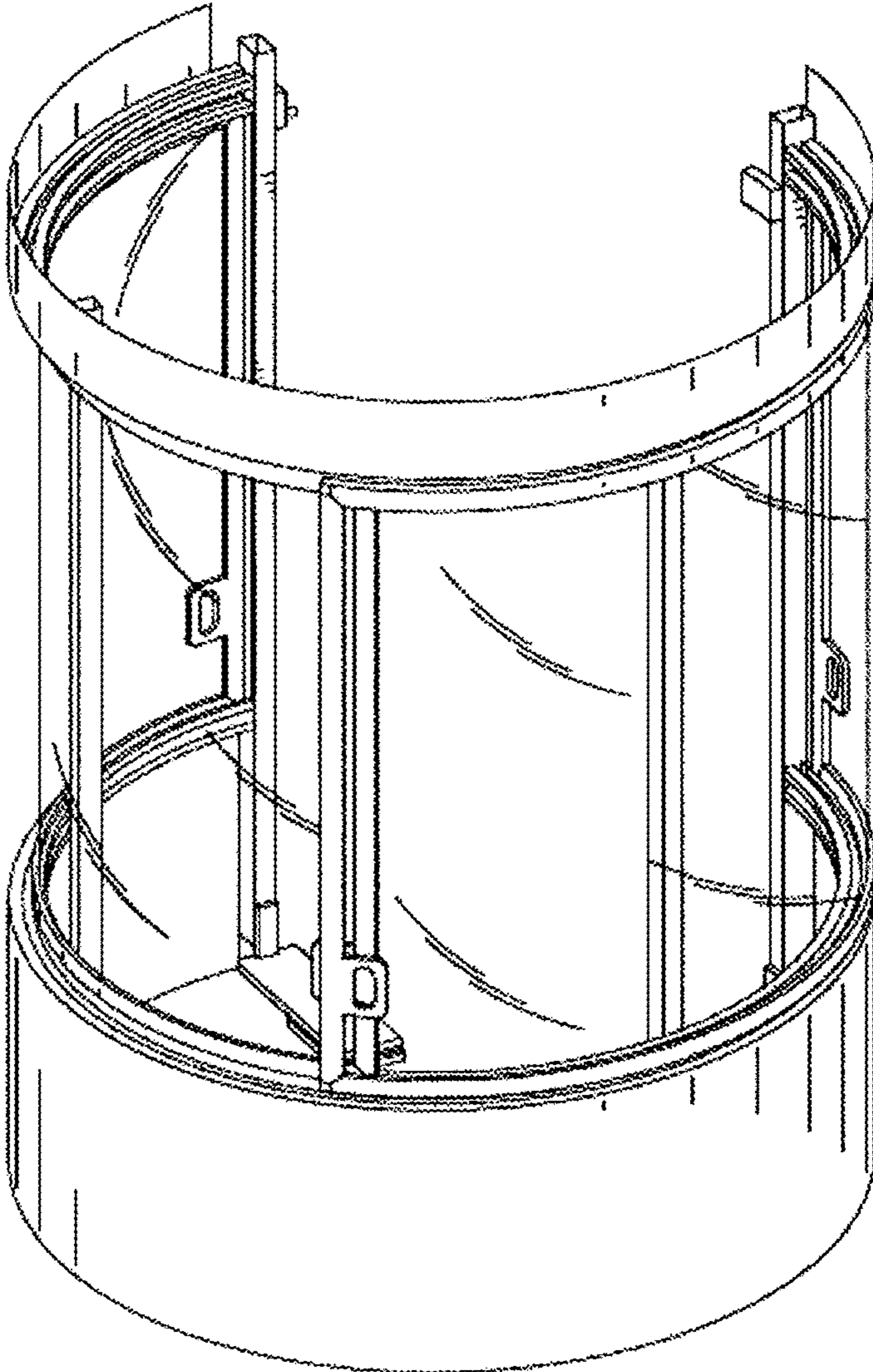


FIG. 1

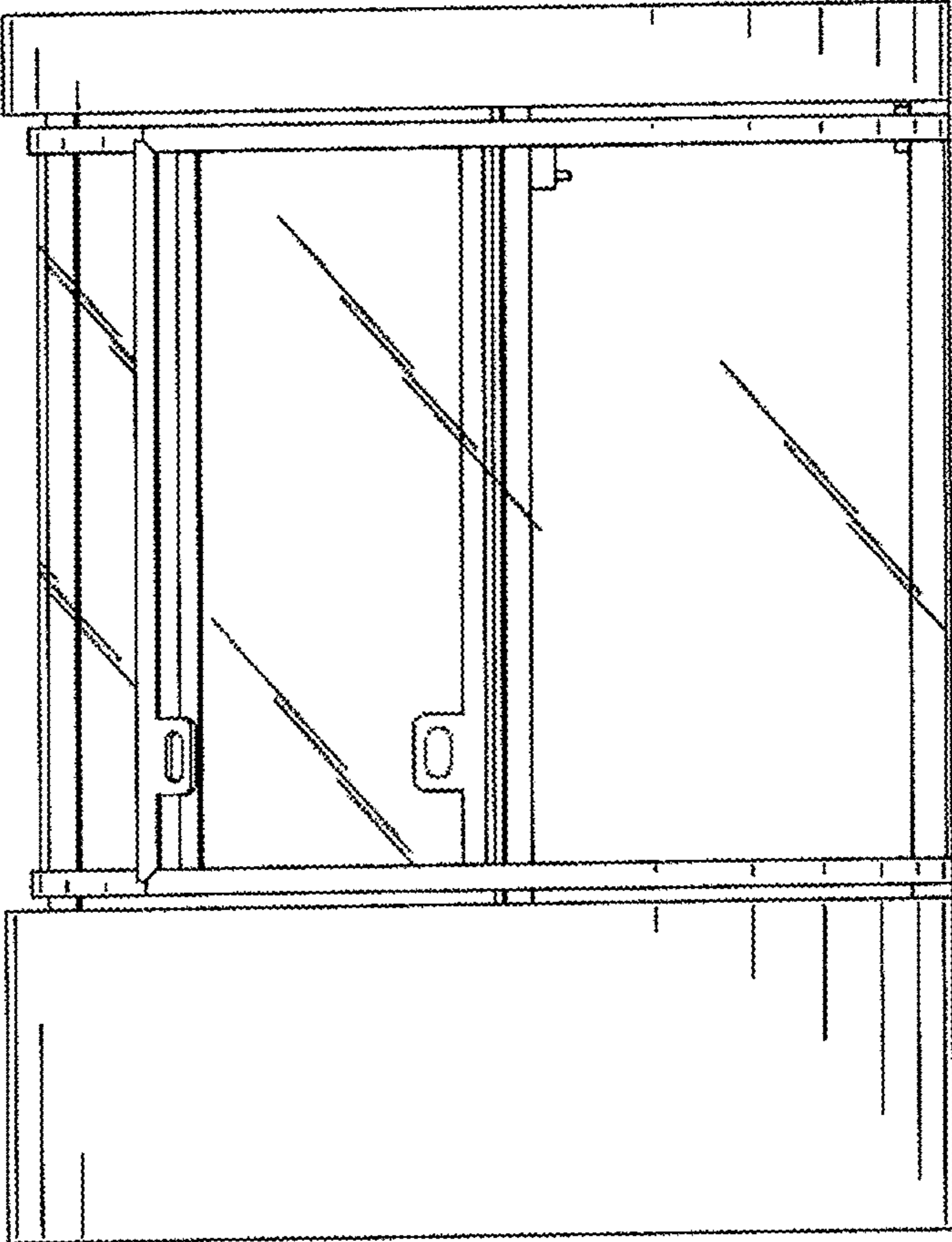


FIG.2

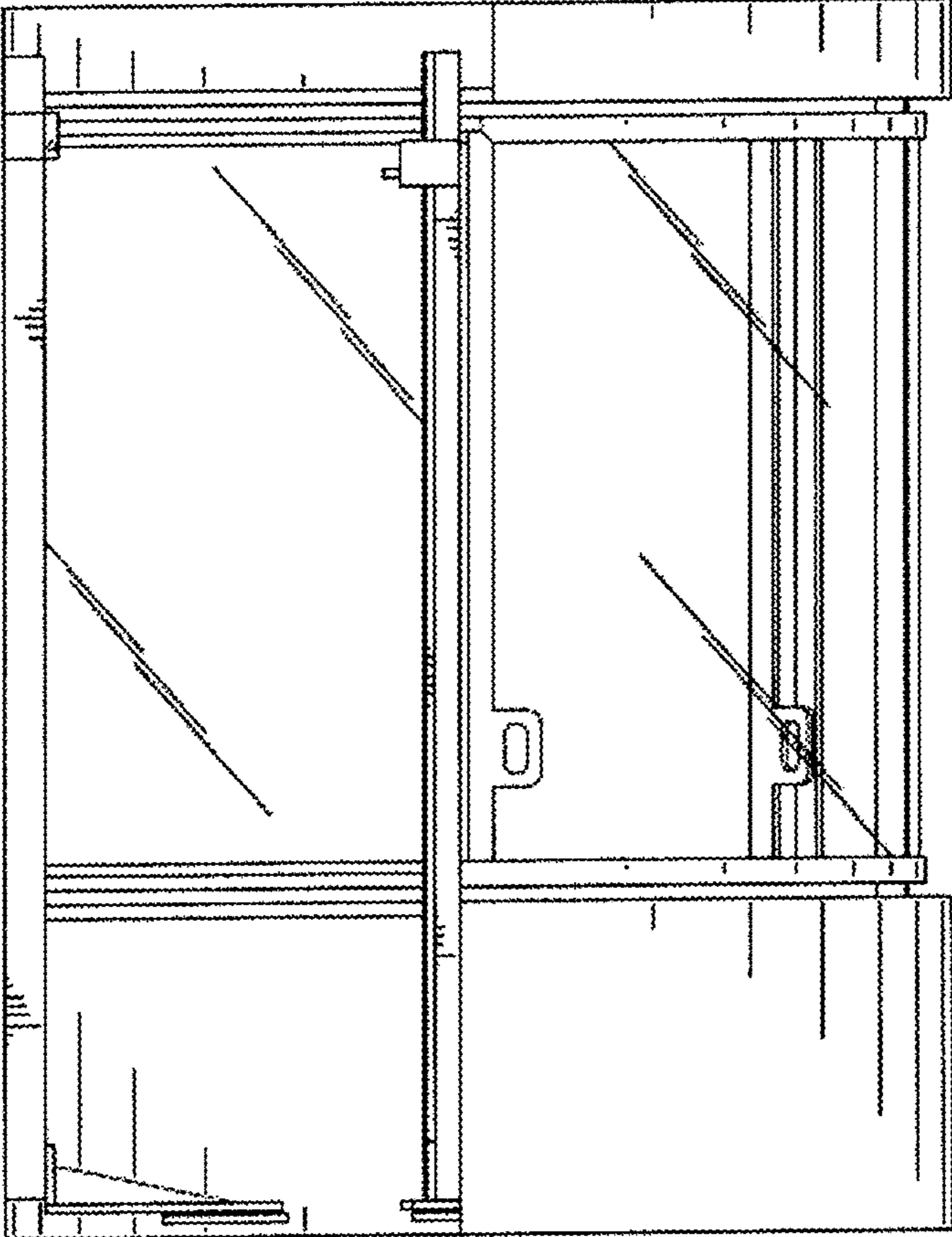


FIG.3

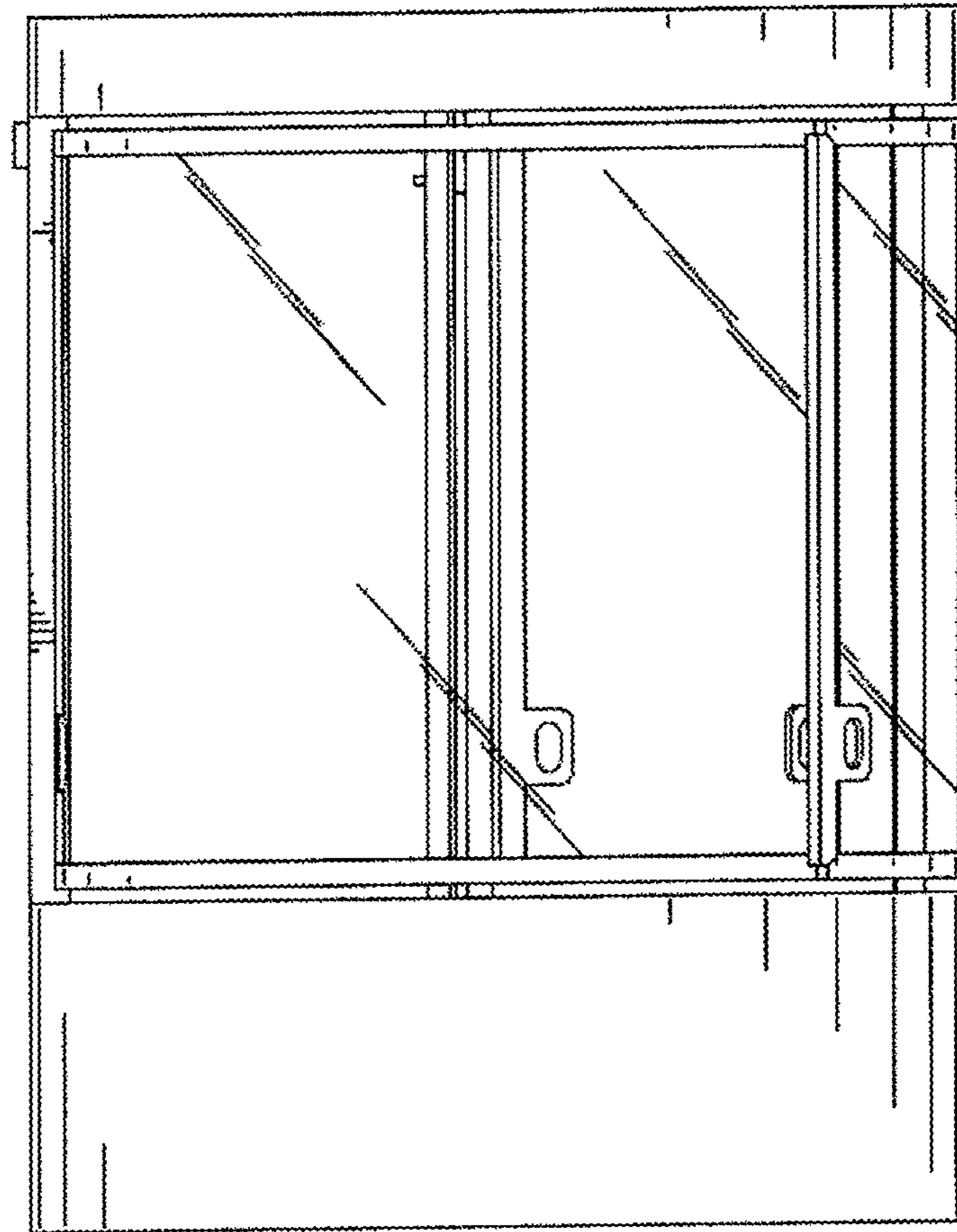


FIG.4

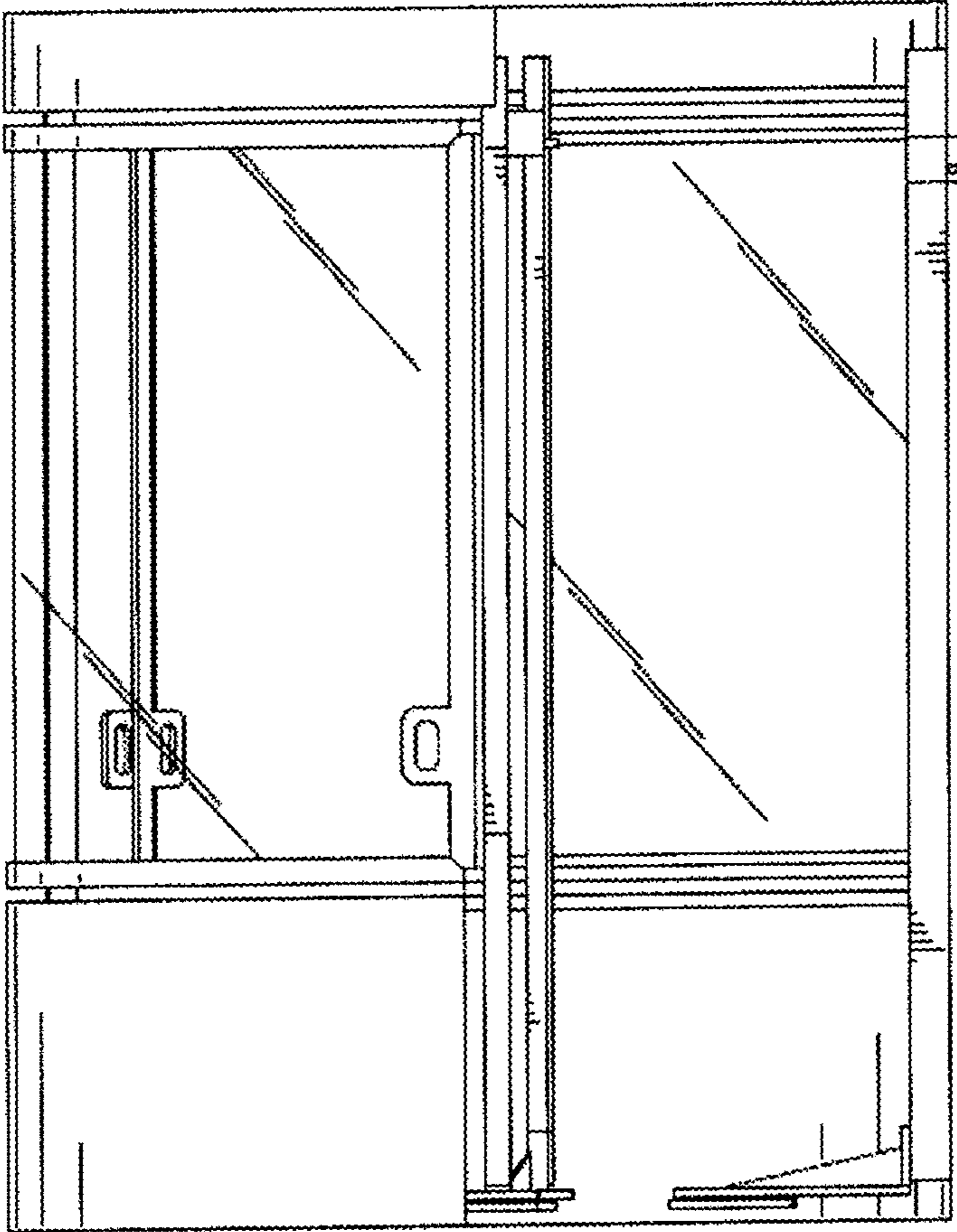


FIG.5

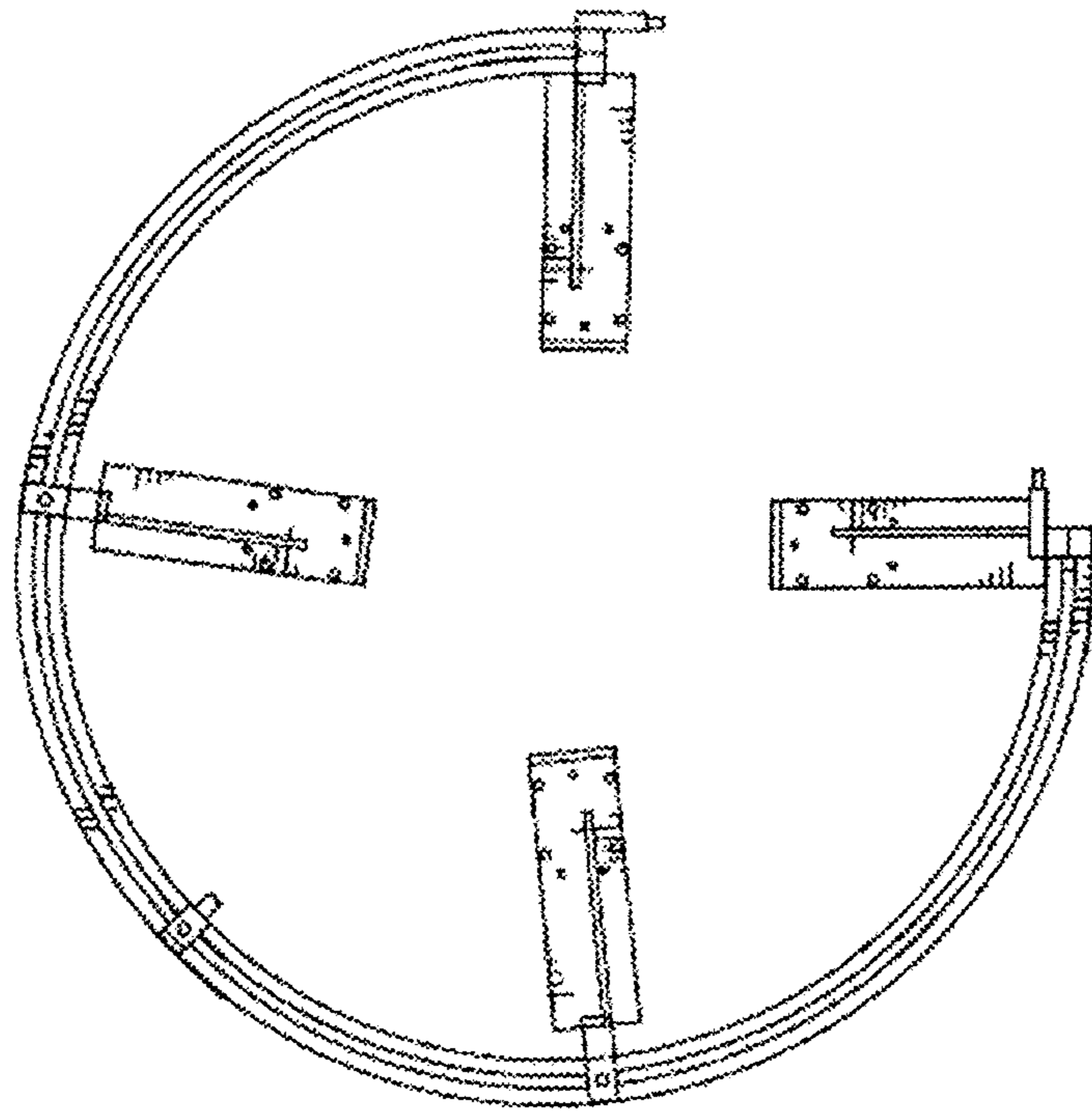


FIG. 6

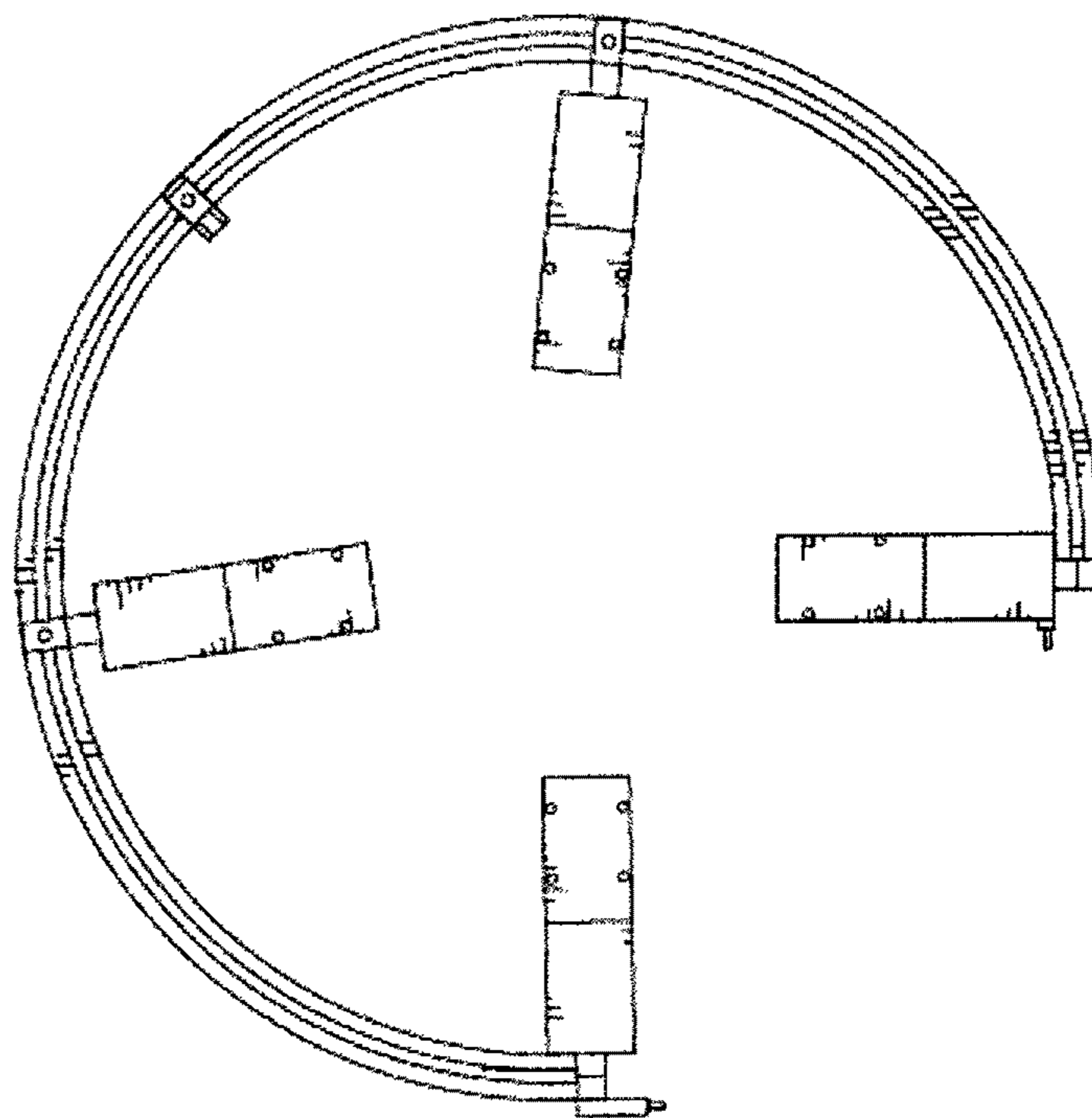


FIG. 7